

[54] GUIDING TROUGH, HORIZONTAL T FOR OPTICAL FIBERS

0807341 1/1959 United Kingdom 147/68.3

[76] Inventor: Roy Henneberger, 1596 Clemson Dr., Eagan, Minn. 55122

[**] Term: 14 Years

[21] Appl. No.: 387,647

[22] Filed: Jul. 31, 1989

[52] U.S. Cl. D13/155

[58] Field of Search D13/152, 155; D23/267, D23/393; D30/131; 248/49, 58, 68.1; 174/21 JS, 35 C, 48, 68.1, 68.3, 69, 72 A, 84 R, 101; 138/155, 156, 157, 177, DIG. 11; 350/96.16, 96.23, 96.3

[56] References Cited

U.S. PATENT DOCUMENTS

| | | | |
|-----------|---------|---------|------------|
| 1,986,965 | 1/1935 | Frank | 174/68.3 X |
| 3,351,699 | 11/1967 | Merckle | 174/68.3 X |
| 3,428,799 | 2/1969 | Bassani | 174/48 X |
| 3,471,629 | 10/1969 | O'Leary | 174/101 X |
| 3,485,937 | 12/1969 | Caveney | 174/101 |

FOREIGN PATENT DOCUMENTS

| | | | |
|---------|--------|----------|----------|
| 2365902 | 4/1978 | France | 174/101 |
| 0819878 | 4/1981 | U.S.S.R. | 174/68.3 |

OTHER PUBLICATIONS

Ditel UPL-1000/UPT-1000/Corner Cable Guides Brochure, ©1986.

Tyton, Product Data Bulletin, The Lightguide System. Panduit Corp., Product Bulletin E-FOA-1, Fiber Optic Cable Accessories.

Primary Examiner—Susan J. Lucas

Assistant Examiner—J. Sincavage

Attorney, Agent, or Firm—Merchant, Gould, Smith, Edell, Welter & Schmidt

[57] CLAIM

The ornamental design for a guiding trough, horizontal T for optical fibers, as shown and described.

DESCRIPTION

FIG. 1 is a left side, top and front perspective view of a guiding trough, horizontal T for optical fibers showing my new design;

FIG. 2 is a front elevational view thereof;

FIG. 3 is a rear elevational view thereof;

FIG. 4 is a top plan view thereof;

FIG. 5 is a bottom plan view thereof;

FIG. 6 is a right side elevational view thereof, the left side elevational view thereof being a mirror image.

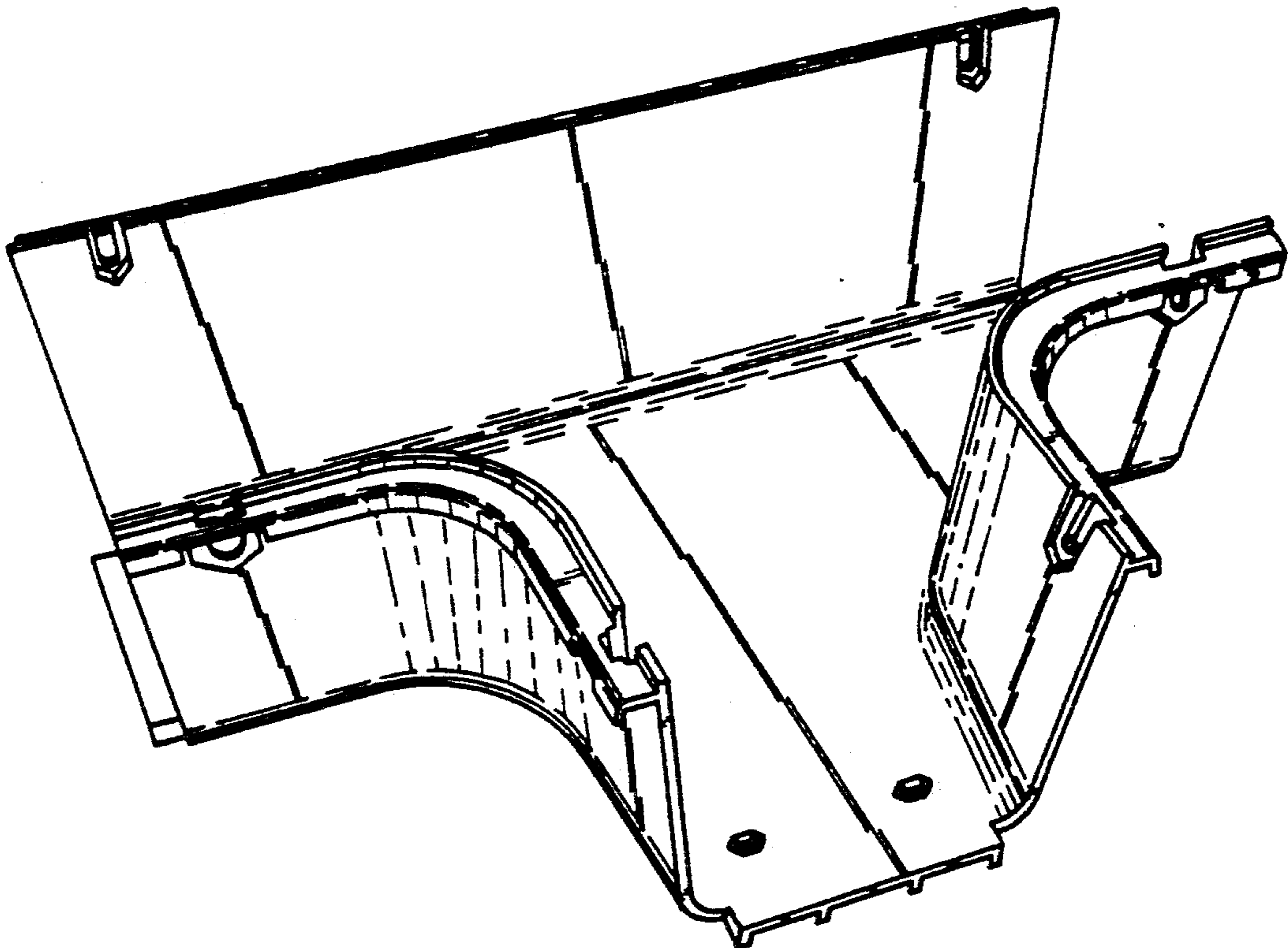


FIG. 1

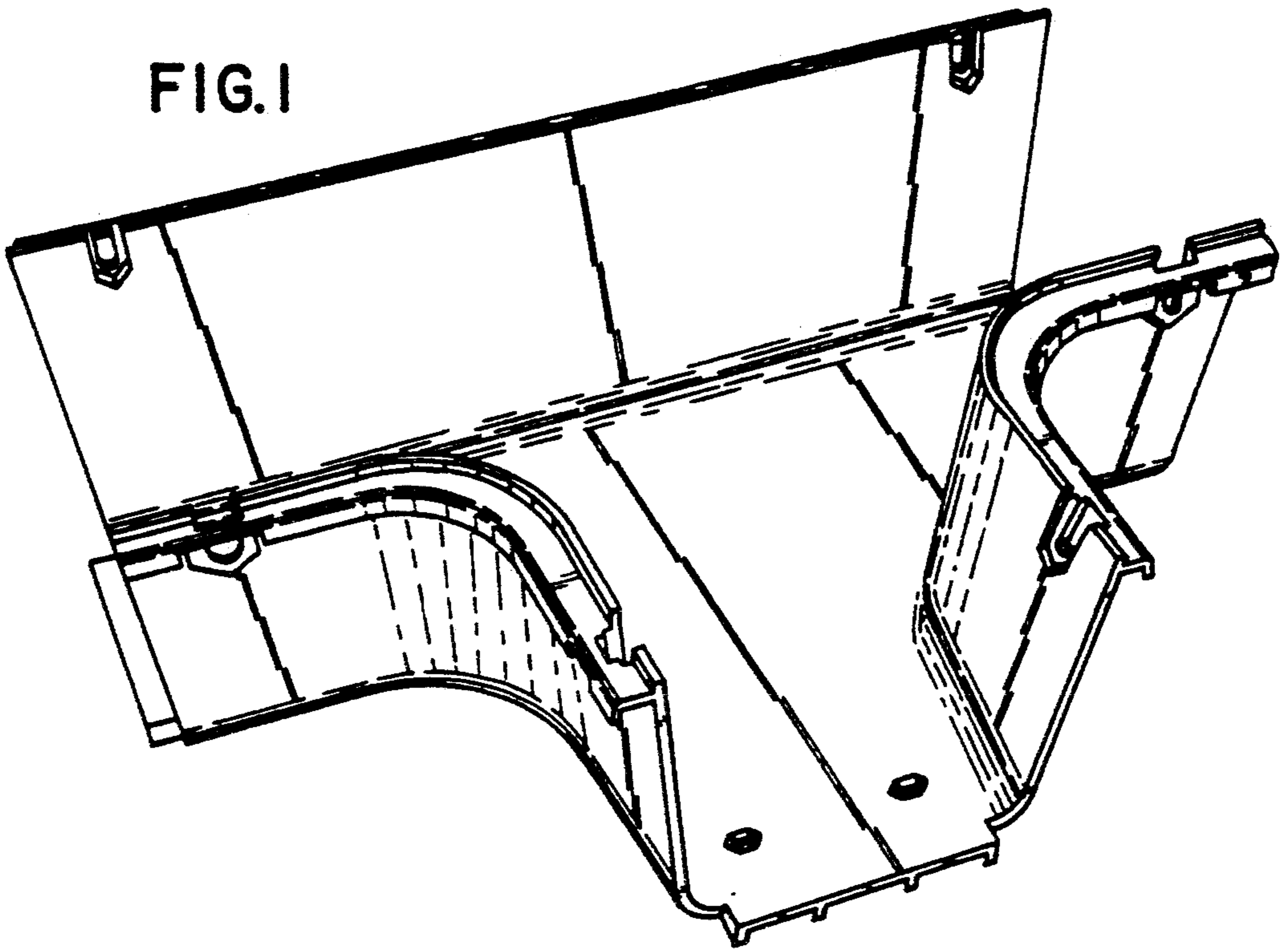


FIG. 2

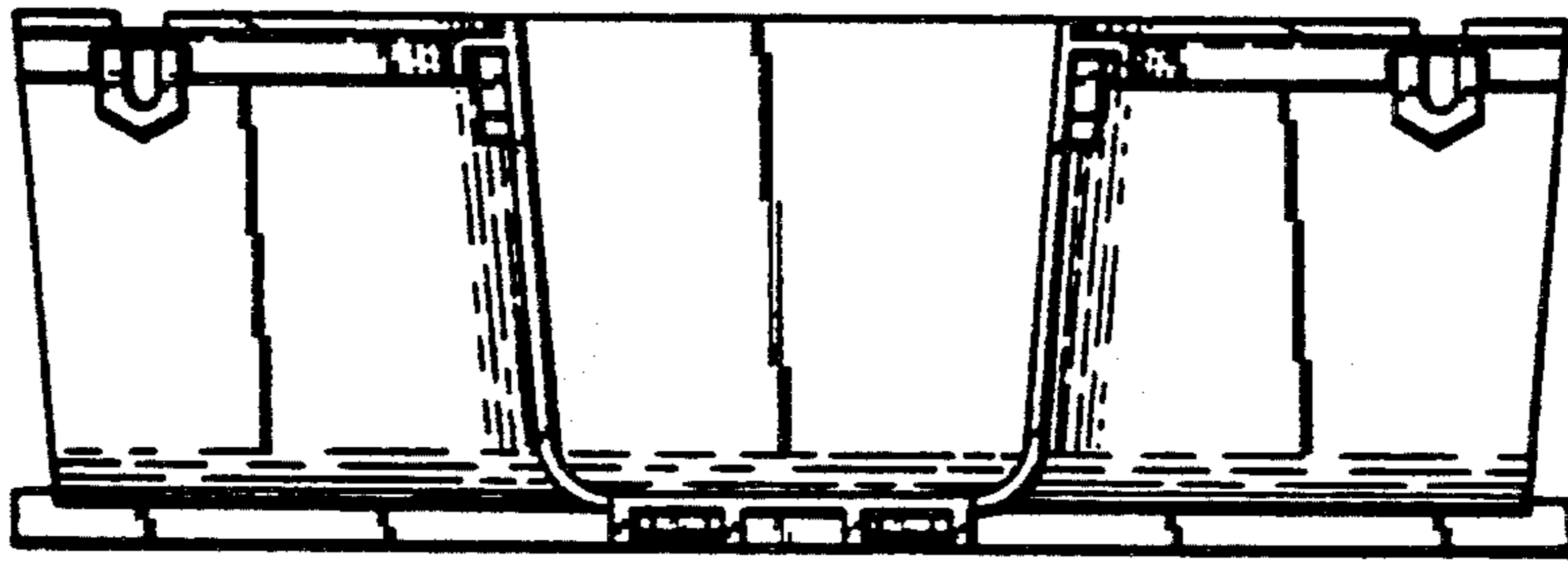


FIG. 3

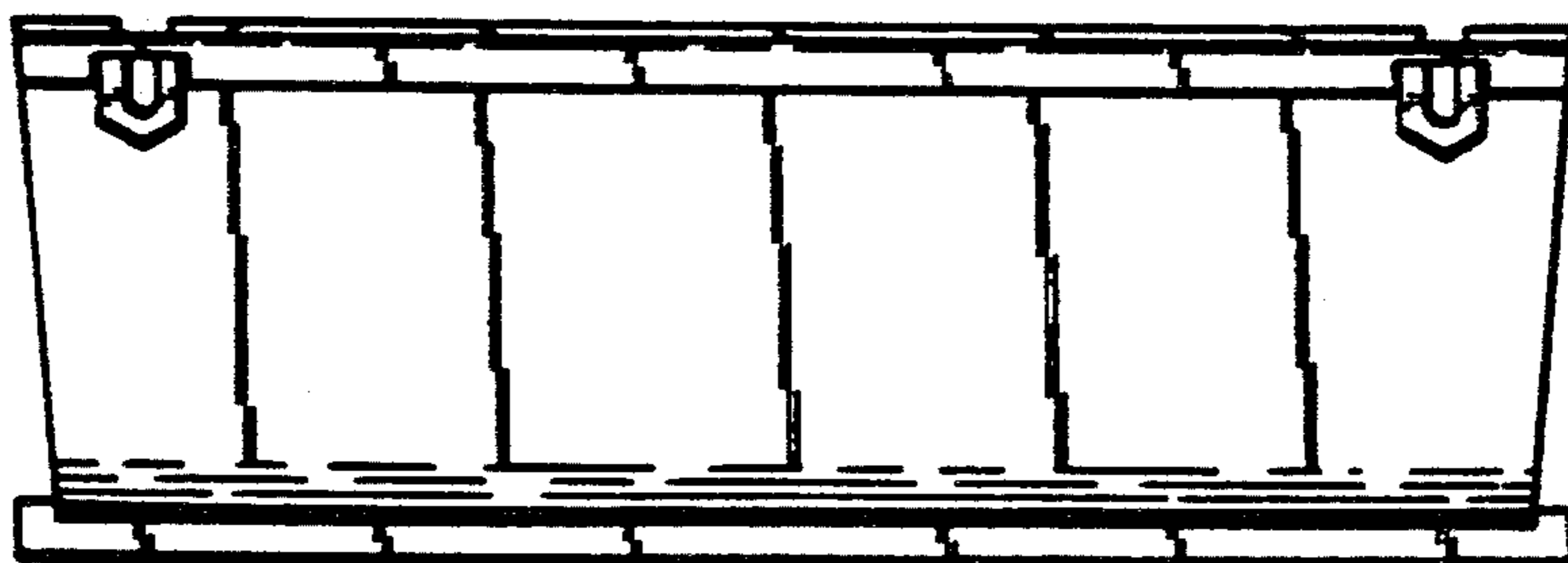


FIG.4

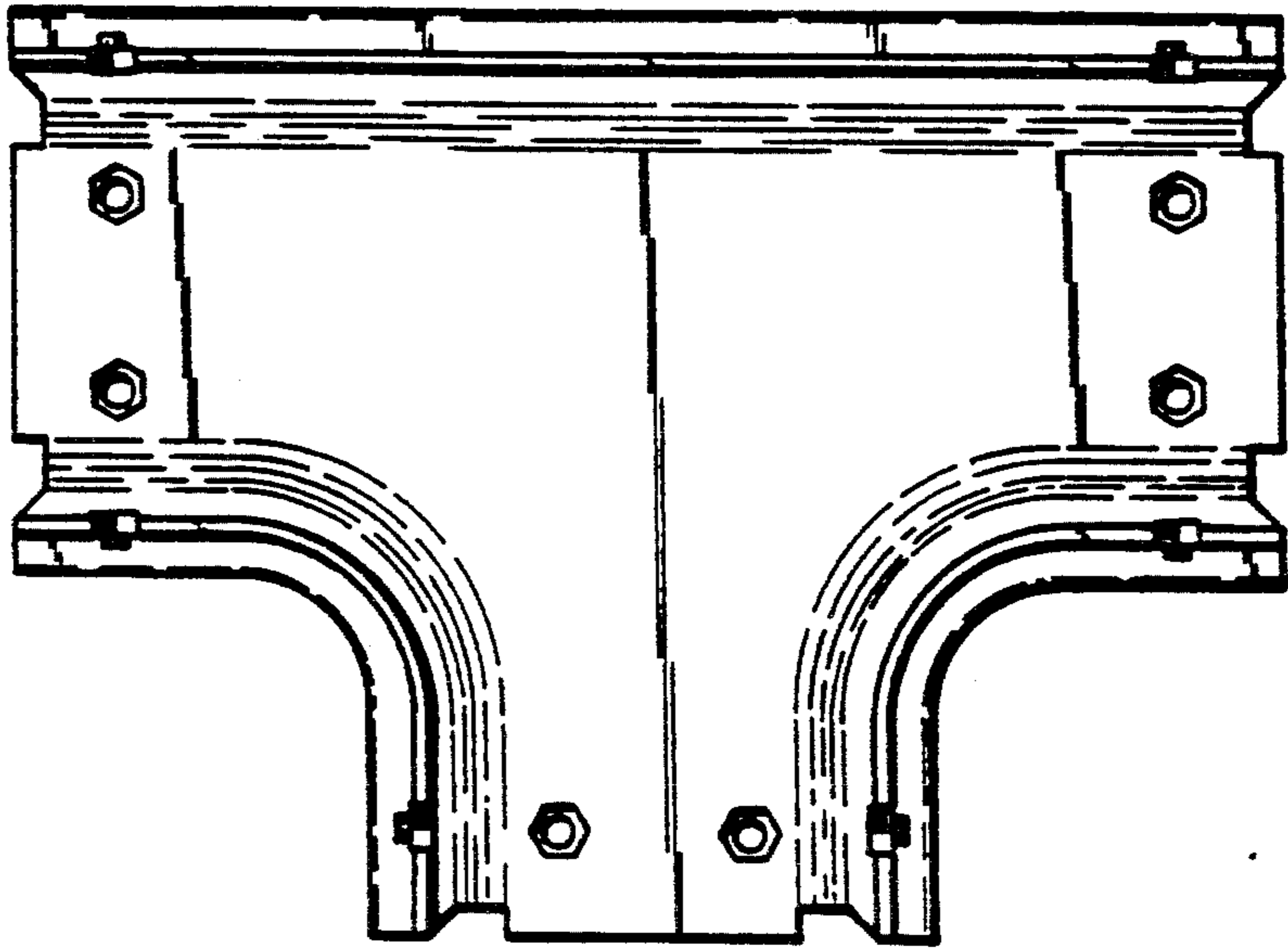


FIG.5

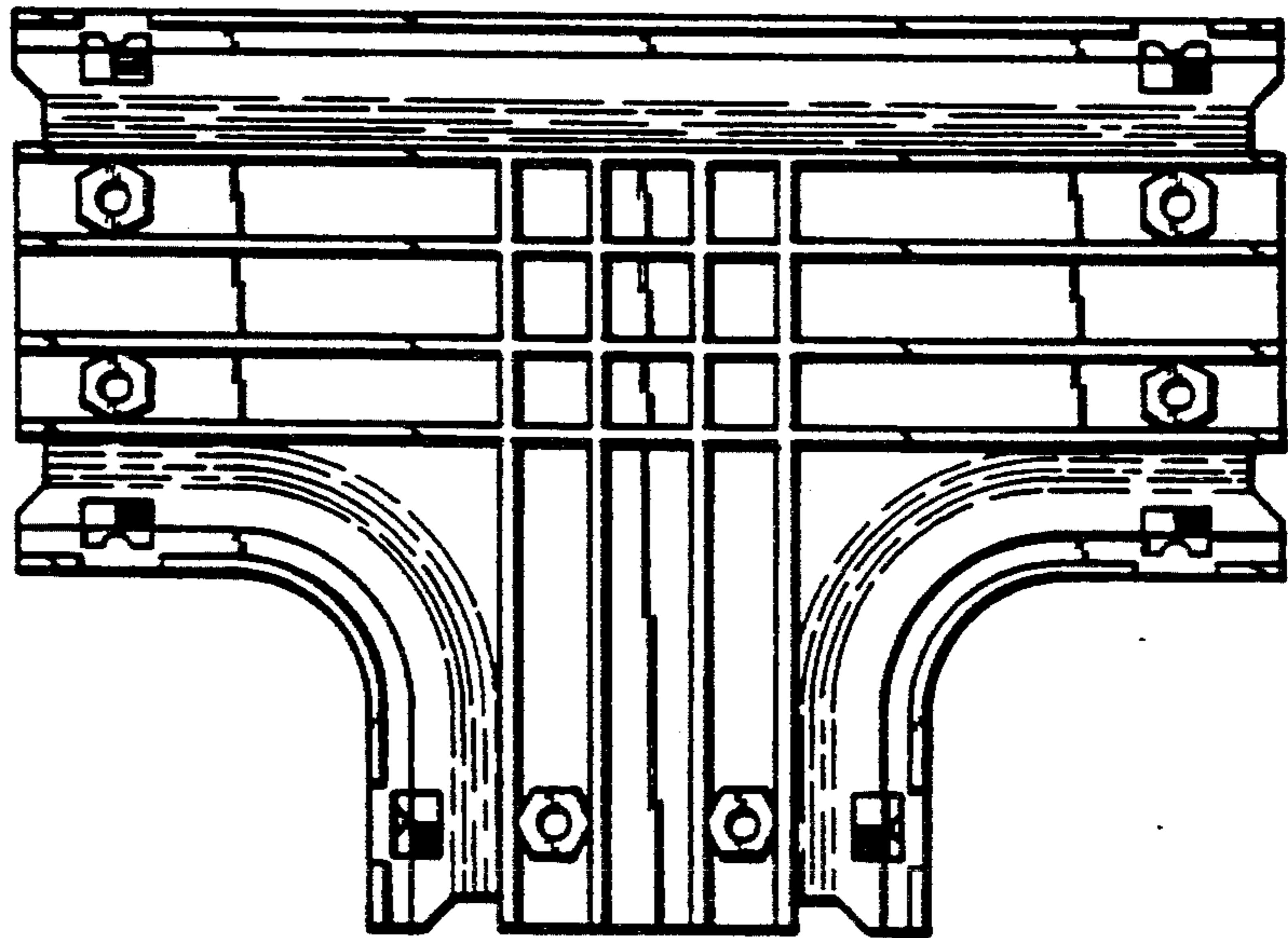


FIG.6

