

[54] HOUSING FOR AN ELECTRICAL CONNECTOR

[75] Inventors: Yasuhiro Nagasaka; Yasuo Hirayama, both of Toyota; Shigekazu Wakata, Yokkaichi; Shinichi Yamada, Yokkaichi; Nobuyuki Asakawa, Yokkaichi, all of Japan

[73] Assignee: Sumitomo Wiring Systems, Ltd., Yokkaichi, Japan

[*] Notice: The portion of the term of this patent subsequent to Nov. 12, 2005 has been disclaimed.

[**] Term: 14 Years

[21] Appl. No.: 340,015

[22] Filed: Apr. 18, 1989

[30] Foreign Application Priority Data

Oct. 20, 1988 [JP] Japan 63-41158
[52] U.S. Cl. D13/147
[58] Field of Search D13/133, 146, 147; 439/246-248, 259, 282, 296, 299, 345, 350, 351-353, 357, 358, 374, 529, 533, 575, 586, 587, 592-598, 600, 656, 668, 678, 679, 680, 682, 685, 686, 691, 692, 695, 701, 723, 724, 729

[56] References Cited
U.S. PATENT DOCUMENTS

Table with 3 columns: Patent Number, Date, Inventor Name, and Classification. Includes entries for De Lyon, Toarmina et al., Betsui, Inaba et al., Samejima et al., and Jinno et al.

Primary Examiner—Susan J. Lucas
Assistant Examiner—J. Sincavage
Attorney, Agent, or Firm—Nils H. Ljungman & Associates

[57] CLAIM
The ornamental design for a housing for an electrical connector, as shown and described.

DESCRIPTION

FIG. 1 is a front perspective view of a housing for an electrical connector showing our new design. The broken line showing of the end apertures throughout the drawing figures is included for the purpose of illustrating environmental elements only and forms no part of the claimed design;
FIG. 2 is a front elevational view thereof;
FIG. 3 is a rear elevational view thereof;
FIG. 4 is a top plan view thereof;
FIG. 5 is a bottom plan view thereof;
FIG. 6 is a right side elevational view thereof, the left side elevational view being a mirror image;
FIG. 7 is a cross-sectional view thereof taken along line 7-7 of FIG. 2.

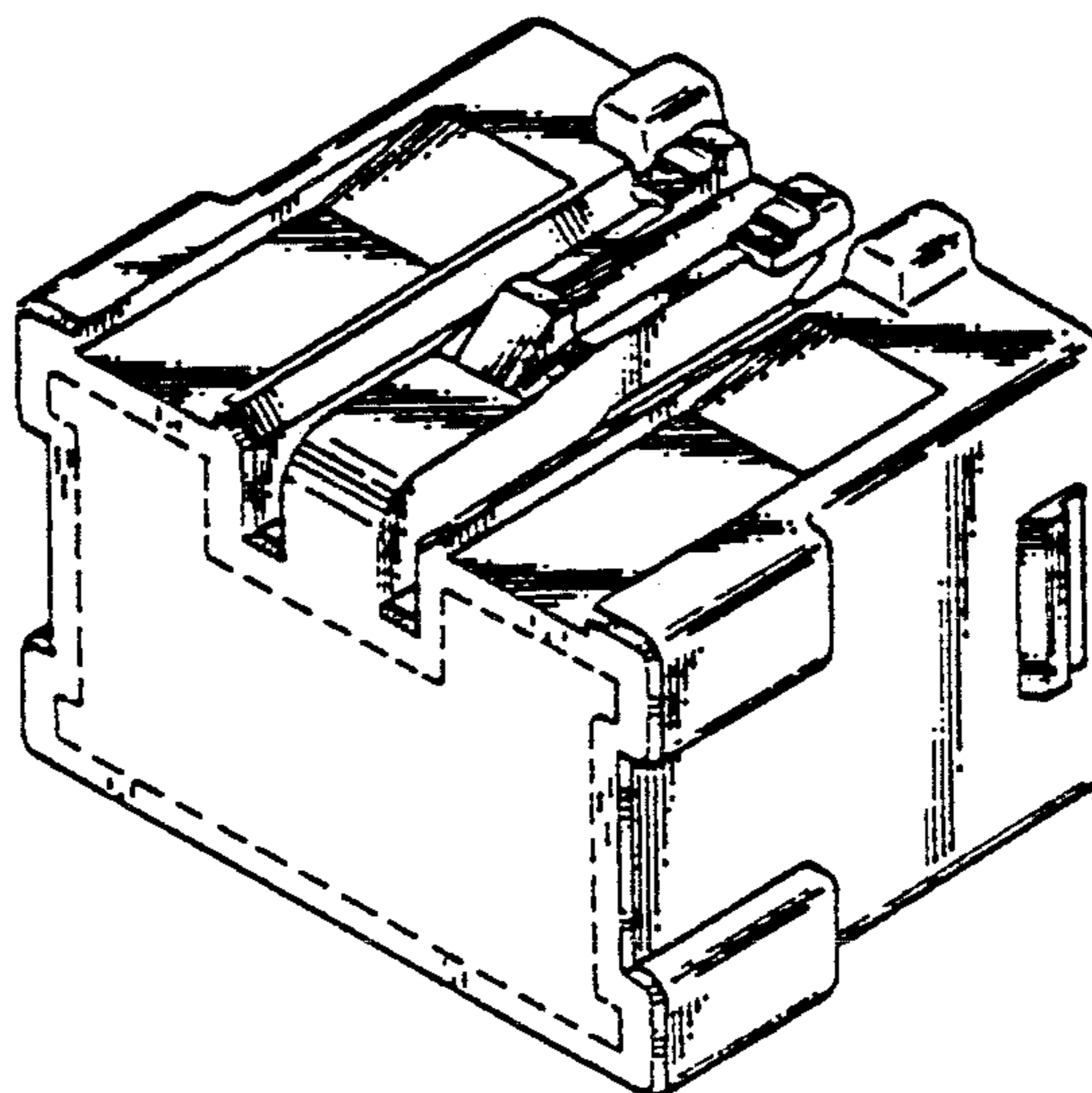


FIG. 1

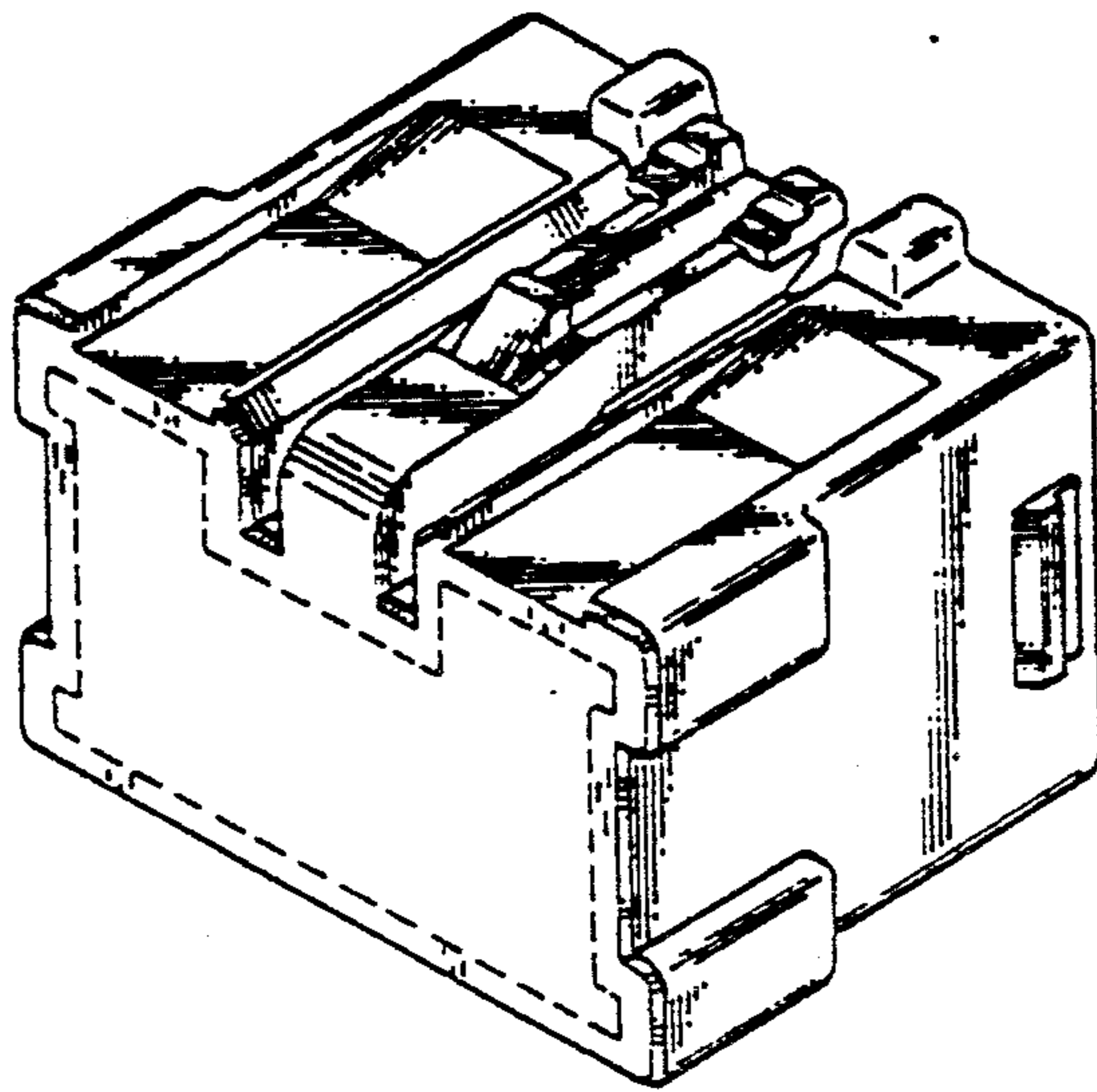
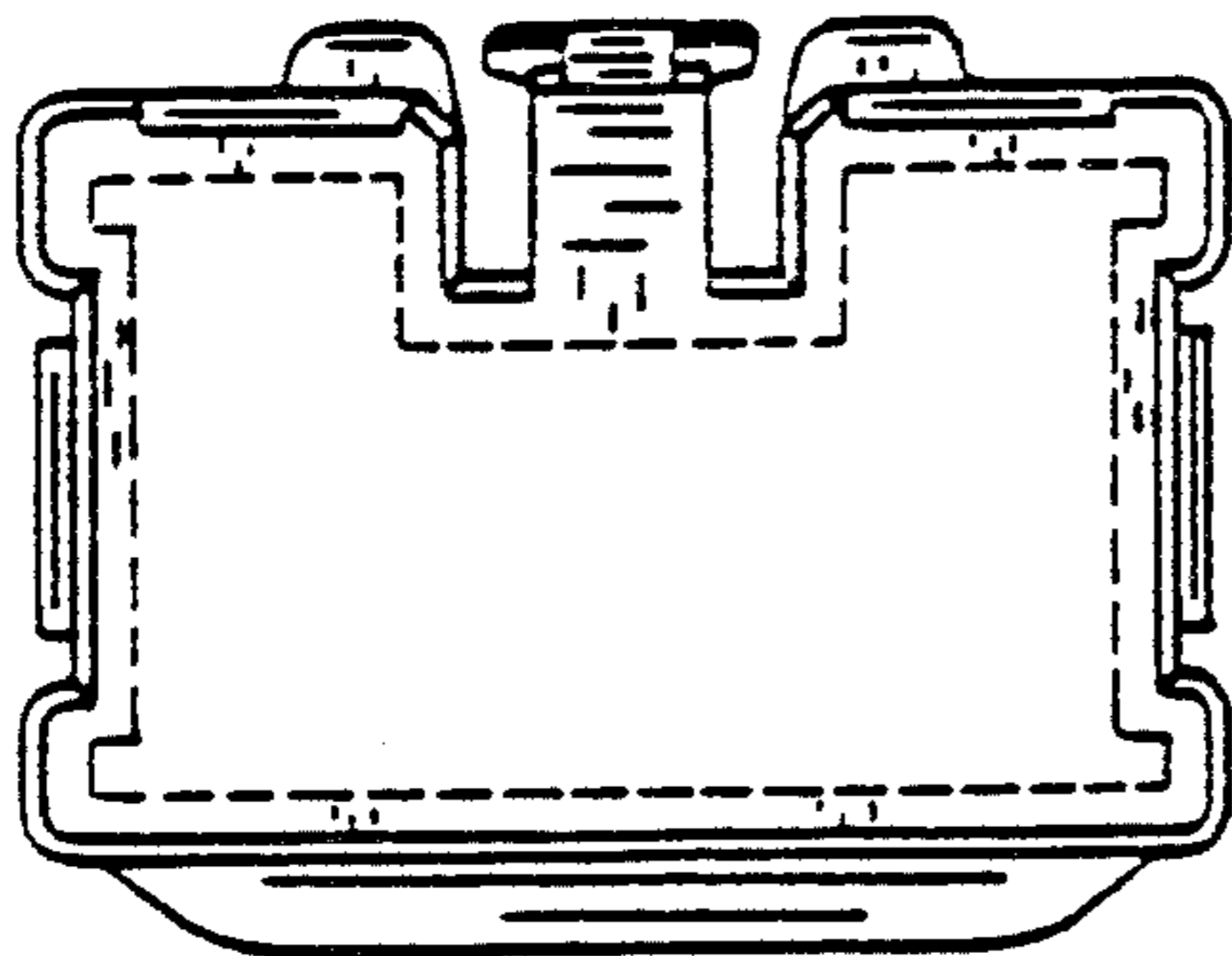


FIG. 2

7-



7-

FIG. 3

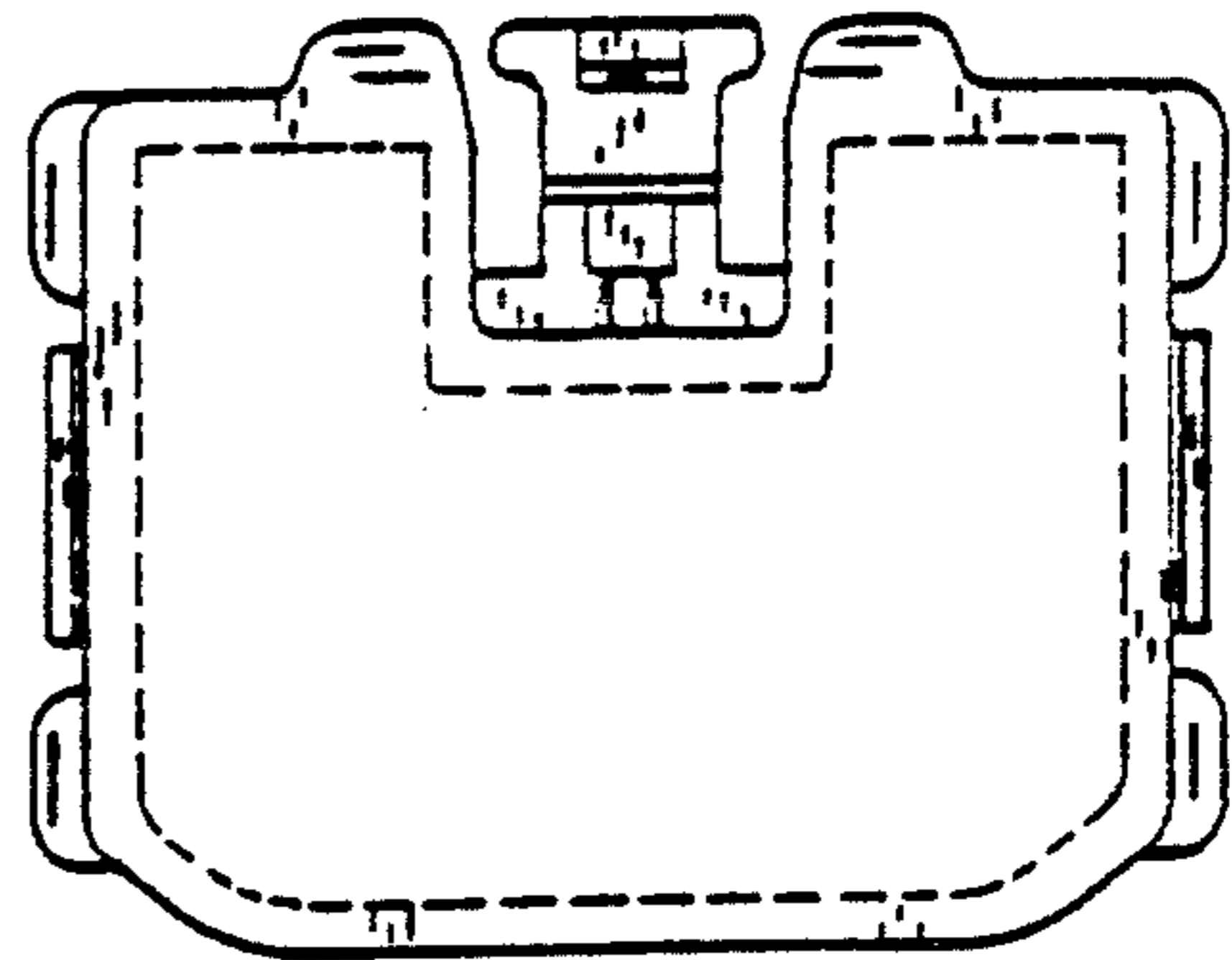


FIG. 4

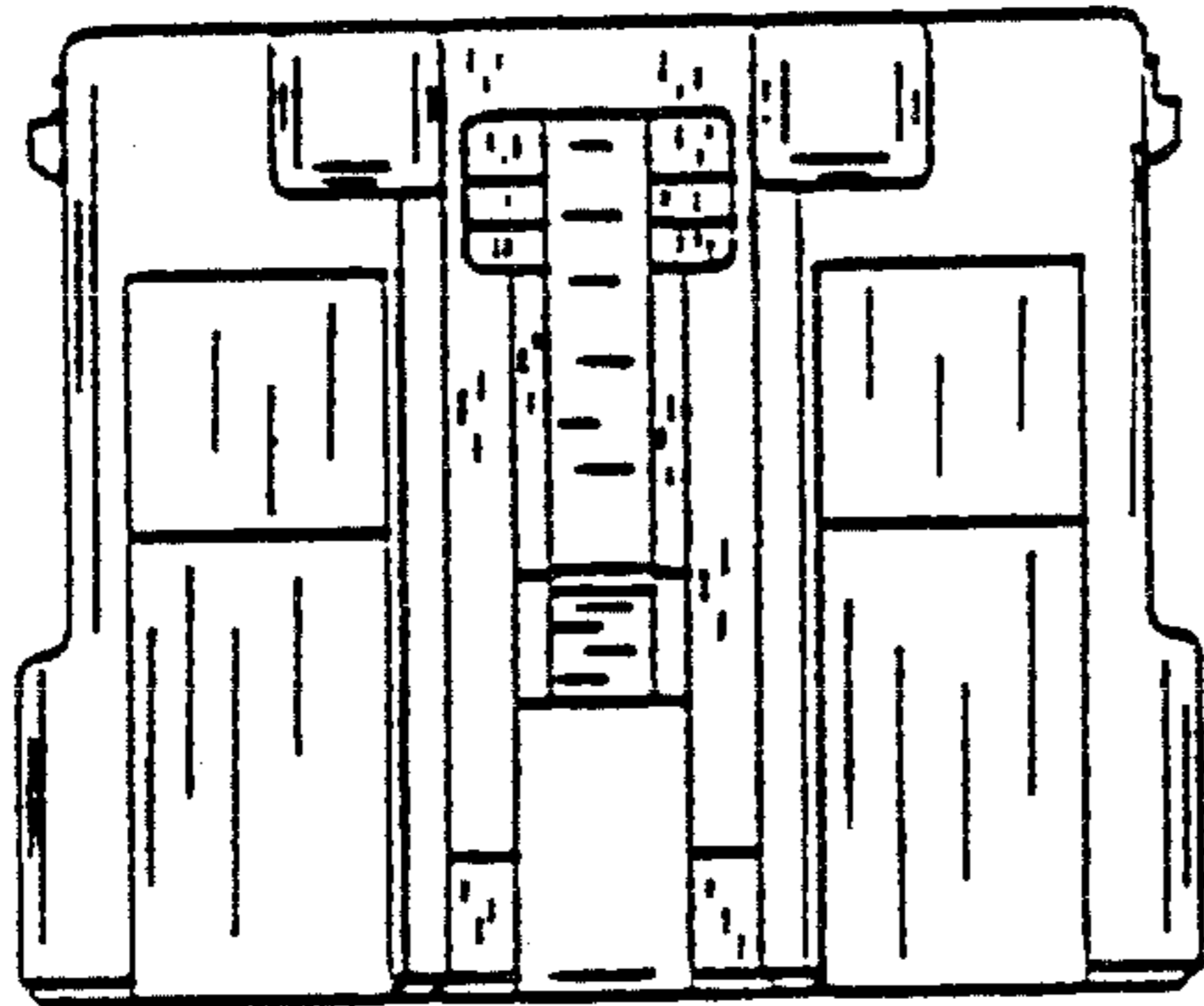


FIG. 5

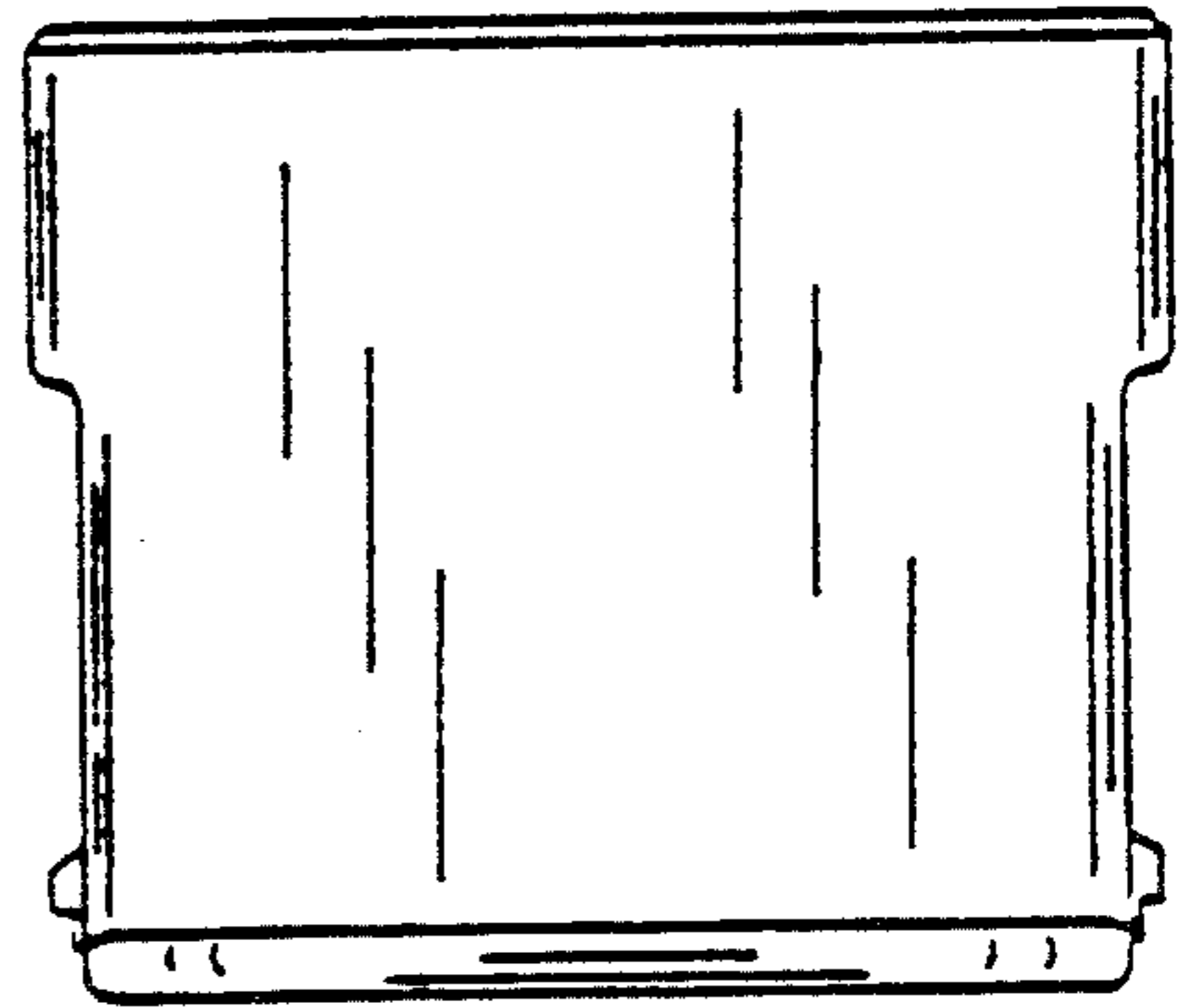


FIG. 6

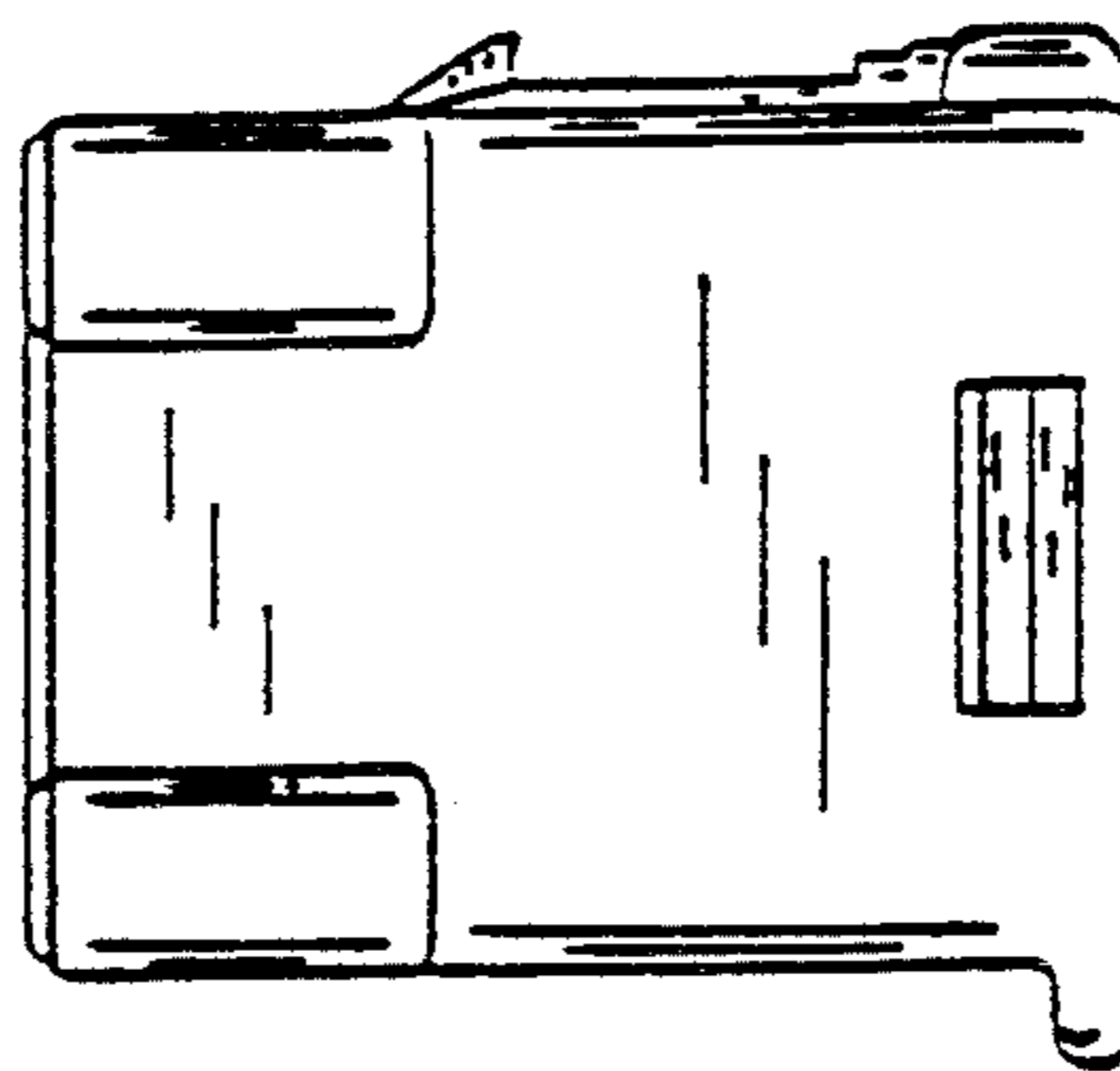


FIG. 7

