

[54] HOUSING FOR AN ELECTRICAL CONNECTOR

[75] Inventors: Yasuhiro Nagasaka; Yasuo Hirayama, both of Toyota; Shigekazu Wakata, Yokkaichi; Shinichi Yamada, Yokkaichi; Nobuyuki Asakawa, Yokkaichi, all of Japan

[73] Assignee: Sumitomo Wiring Systems, Ltd., Yokkaichi, Japan

[\*\*] Term: 14 Years

[21] Appl. No.: 339,625

[22] Filed: Apr. 18, 1989

[30] Foreign Application Priority Data

Oct. 20, 1988 [JP] Japan ..... 63-41156
[52] U.S. Cl. .... D13/147
[58] Field of Search ..... D13/133, 146, 147; 439/246-248, 259, 282, 296, 299, 345, 350, 351-353, 357, 358; 374, 529, 533, 575, 586, 587, 592-598, 600, 656, 668, 678, 679, 680, 682, 685, 686, 691, 692, 695, 701, 723, 724, 729

[56] References Cited

U.S. PATENT DOCUMENTS

D. 311,379 10/1990 Kazuno et al. .... D13/146
D. 312,243 11/1990 Yamamoto ..... D13/147

3,179,738 4/1965 DeLyon ..... D13/147 X
4,593,965 6/1986 Joly ..... 439/685 X
4,655,527 4/1987 Van Dame ..... 439/350
4,842,541 6/1989 Leandris ..... 439/282 X
4,915,649 4/1990 Shimazu et al. .... D13/147 X
4,938,710 7/1990 Aihara et al. .... 439/345

Primary Examiner—Susan J. Lucas
Assistant Examiner—J. Sincavage
Attorney, Agent, or Firm—Nils H. Ljungman & Associates

[57] CLAIM

The ornamental design for a housing for an electrical connector, as shown and described.

DESCRIPTION

FIG. 1 is a front perspective view of a housing for an electrical connector showing our new design. The broken line showing of the end apertures throughout the drawing figures is included for the purpose of illustrating environmental elements only and forms no part of the claimed design;
FIG. 2 is a front elevational view thereof;
FIG. 3 is a rear elevational view thereof;
FIG. 4 is a top plan view thereof;
FIG. 5 is a bottom plan view thereof;
FIG. 6 is a right side elevational view thereof, the left side elevational view being a mirror image;
FIG. 7 is a cross-sectional view thereof taken along line 7-7 of FIG. 2.

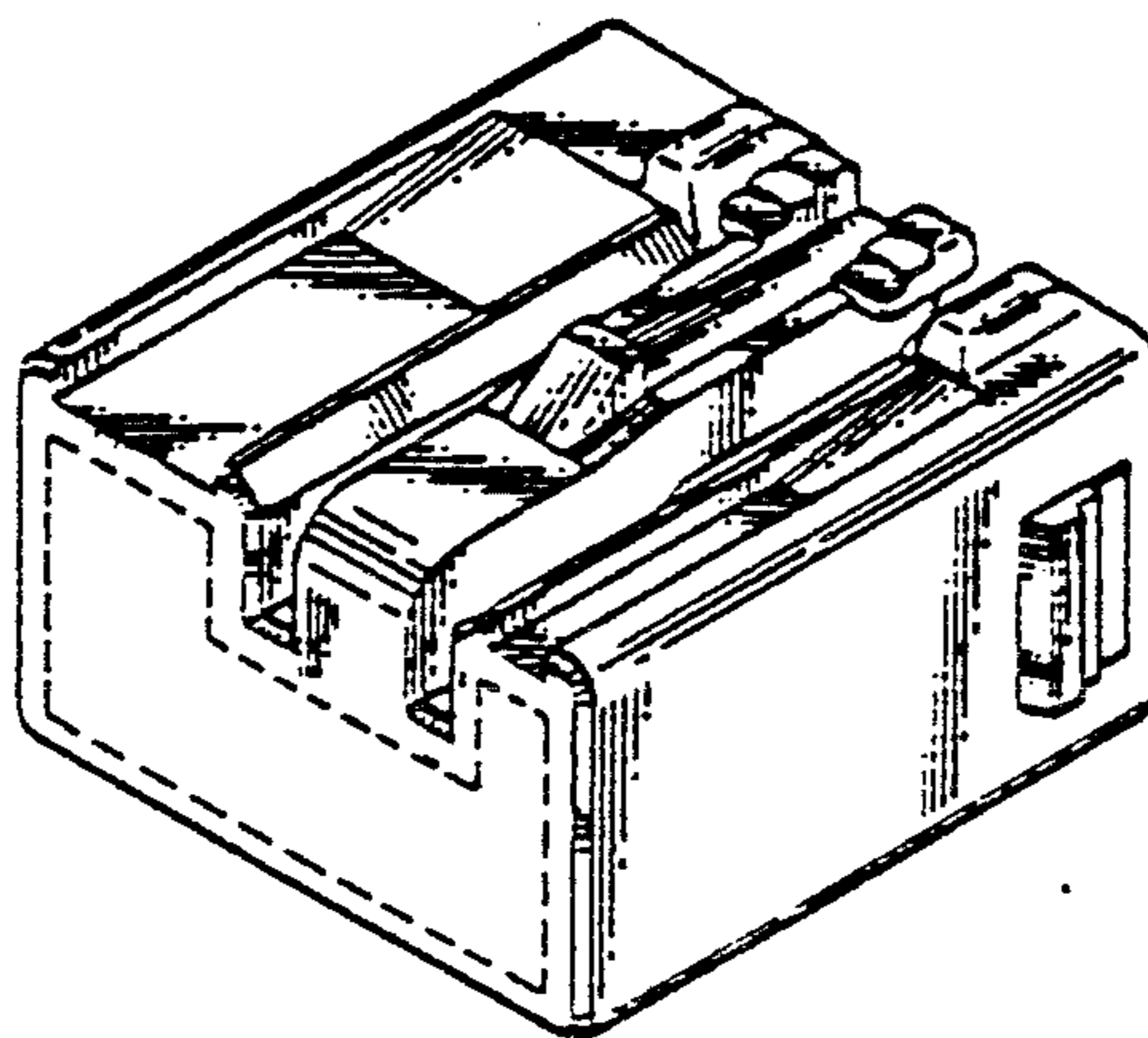


FIG. 1

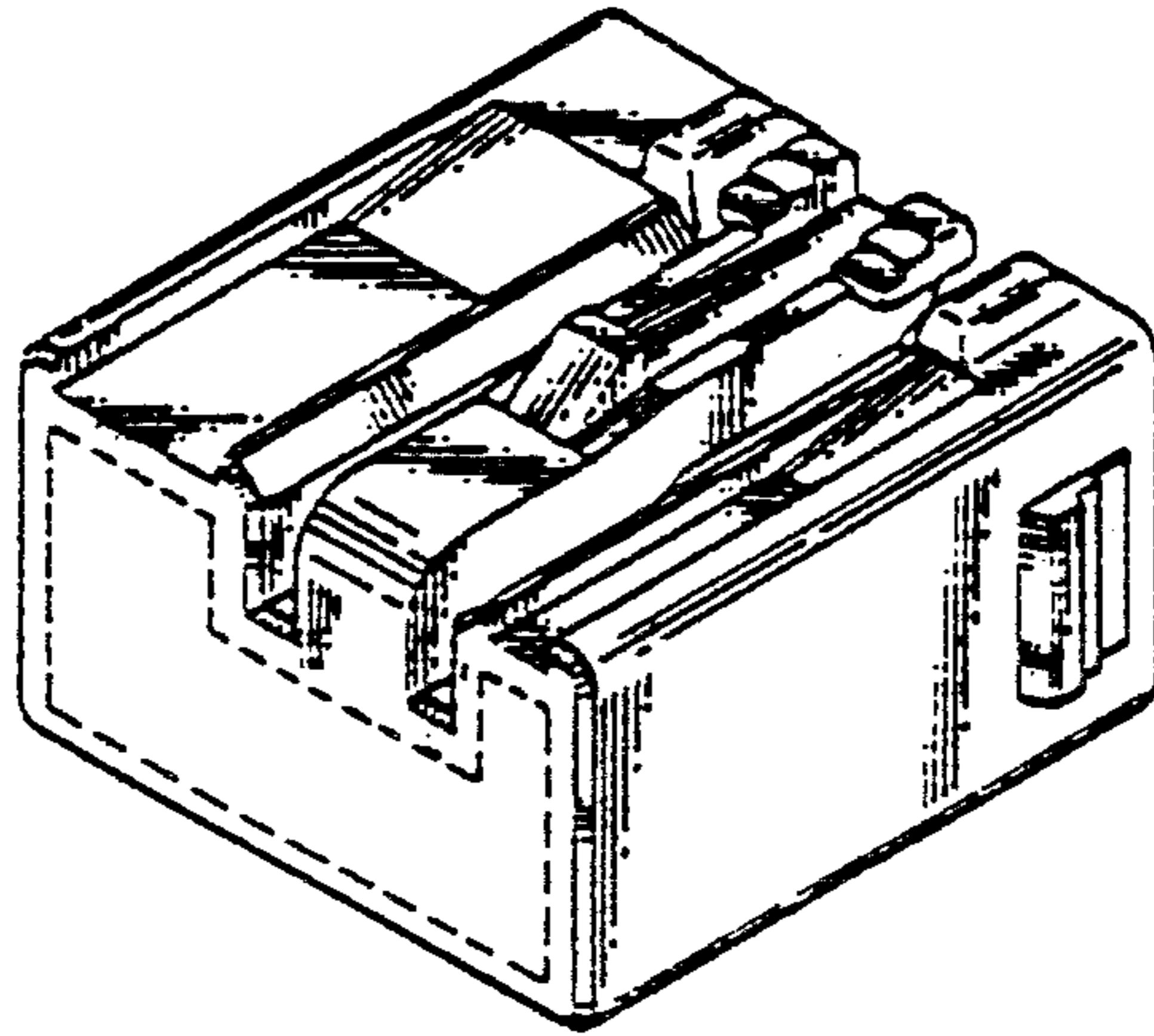
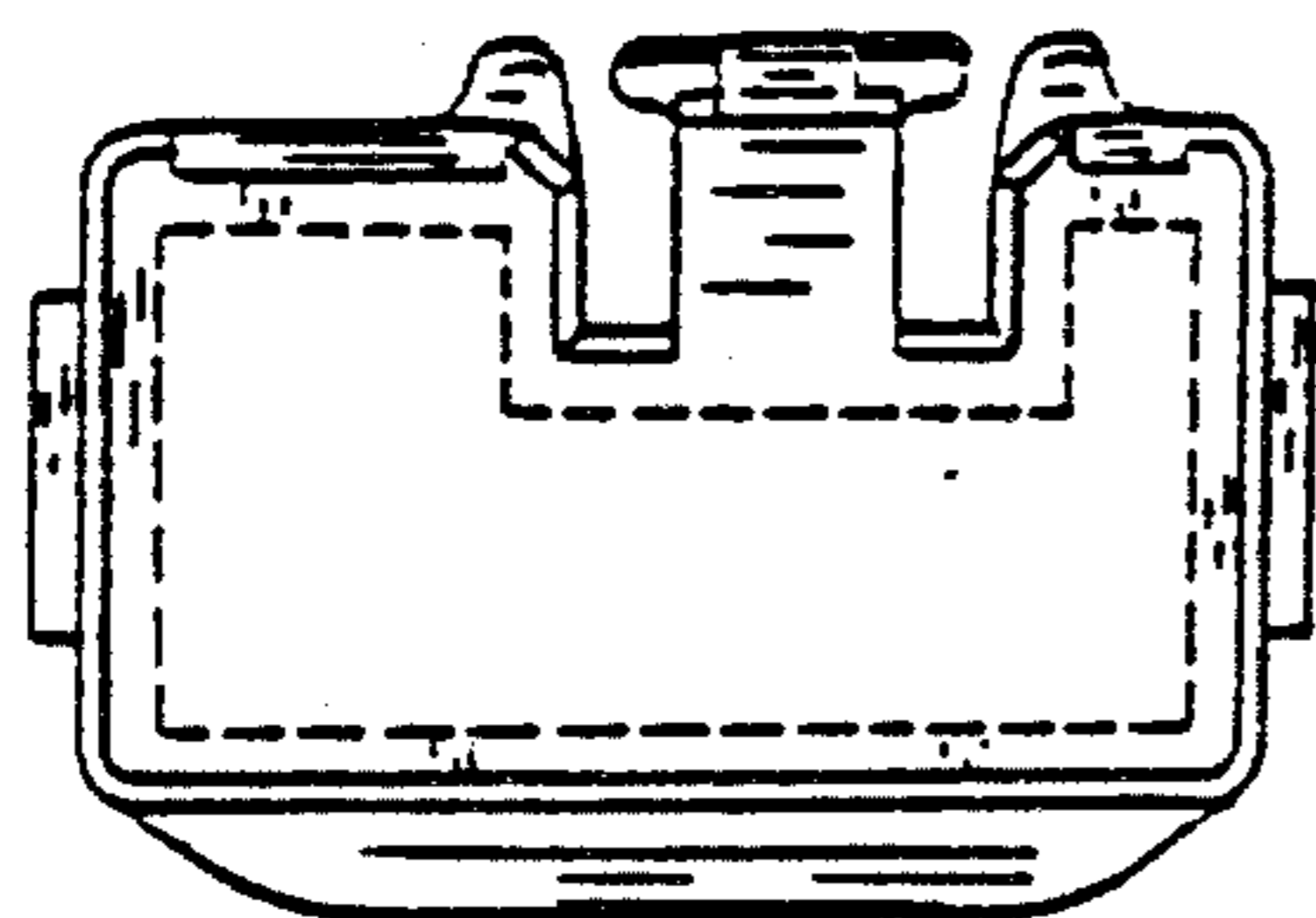


FIG. 2

7-



7-

FIG. 3

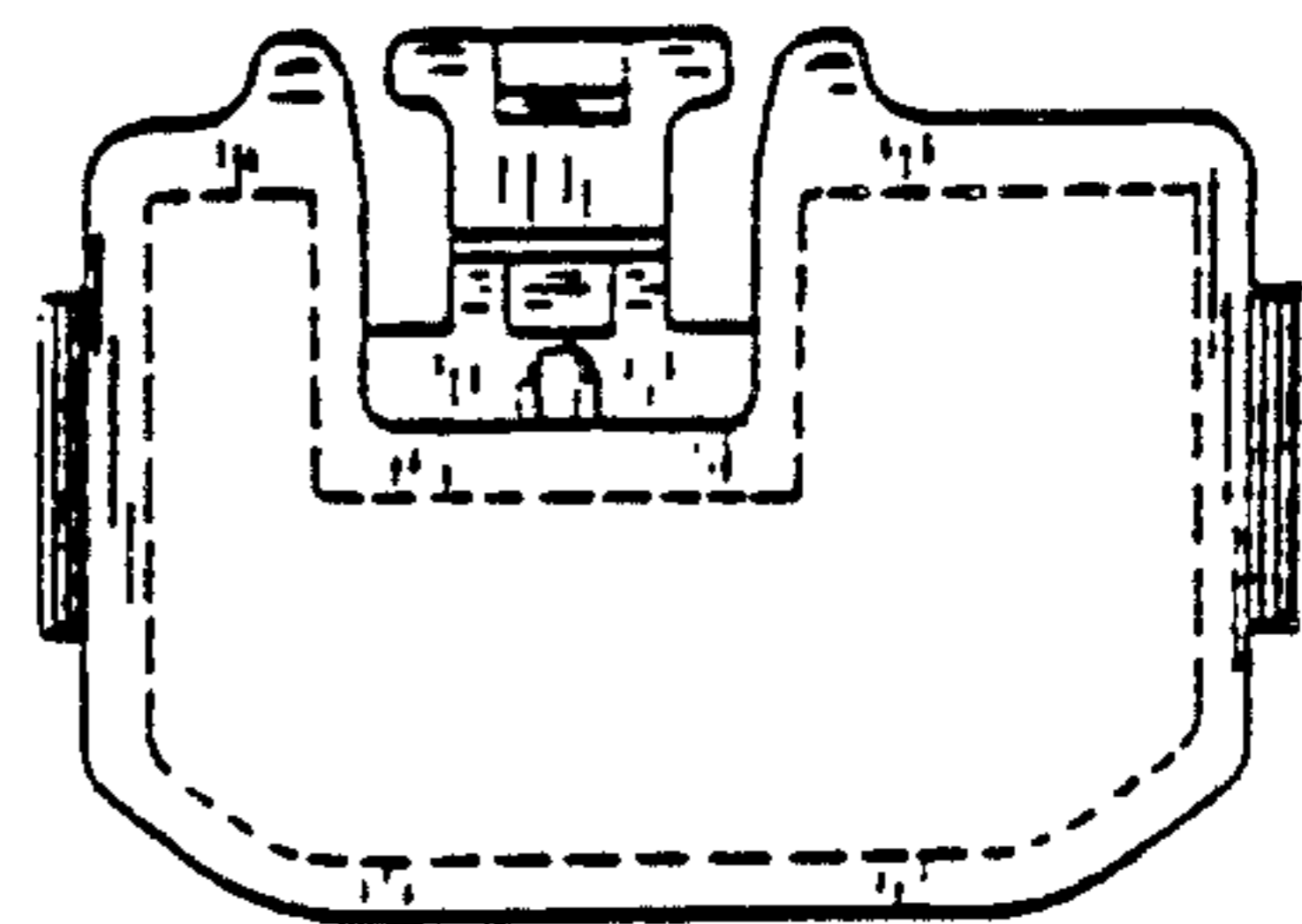


FIG. 4

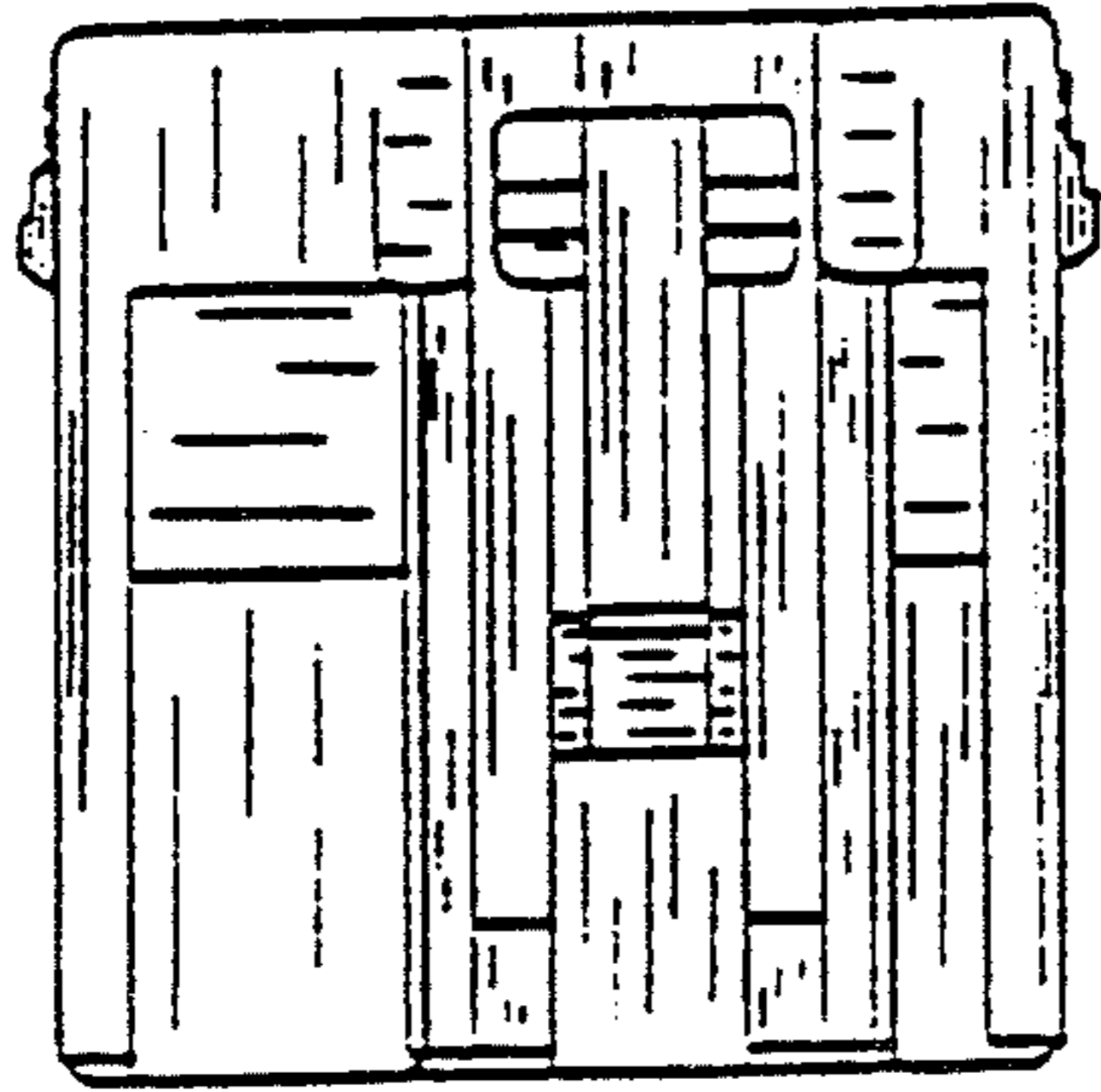


FIG. 5

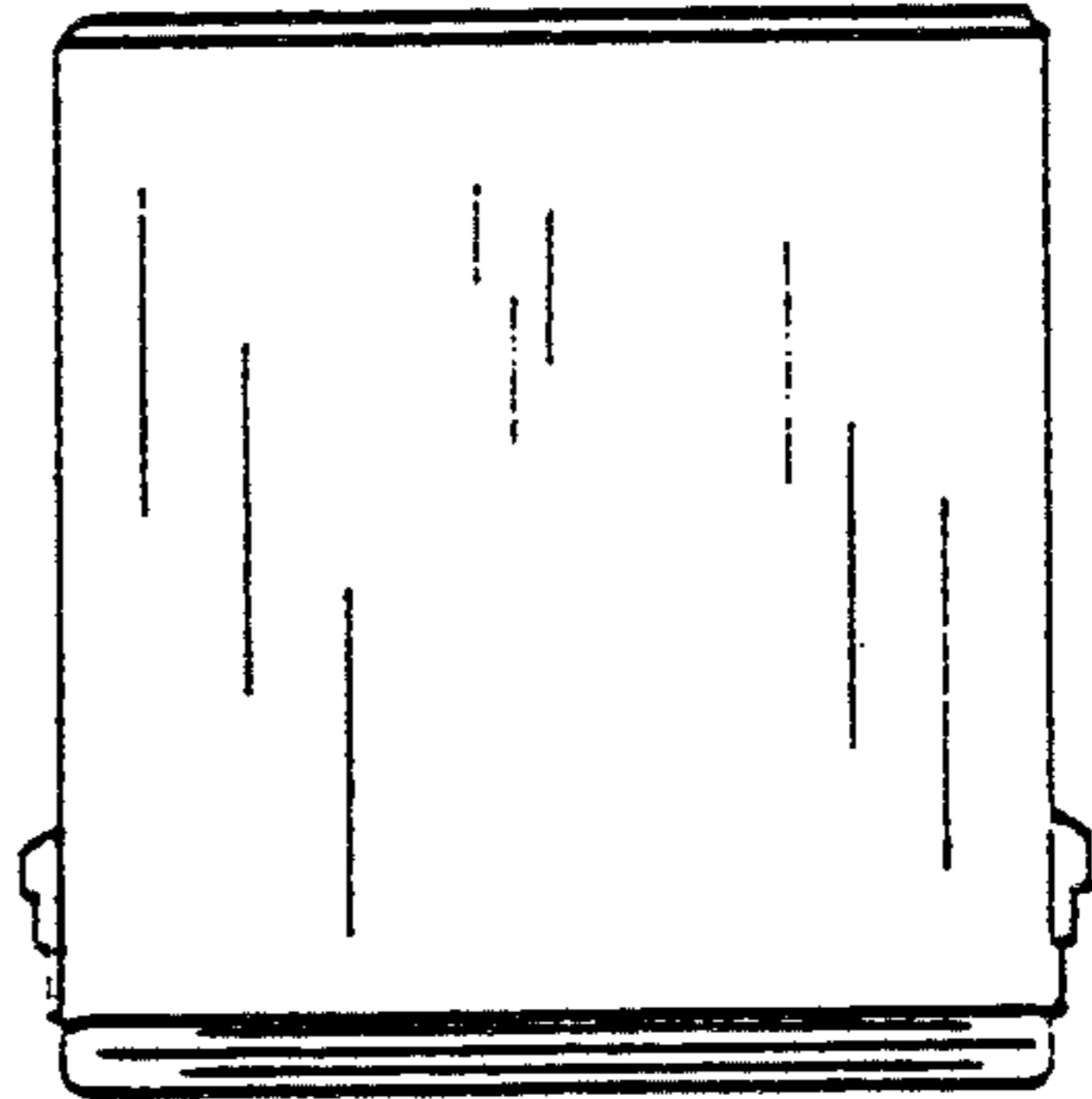


FIG. 6

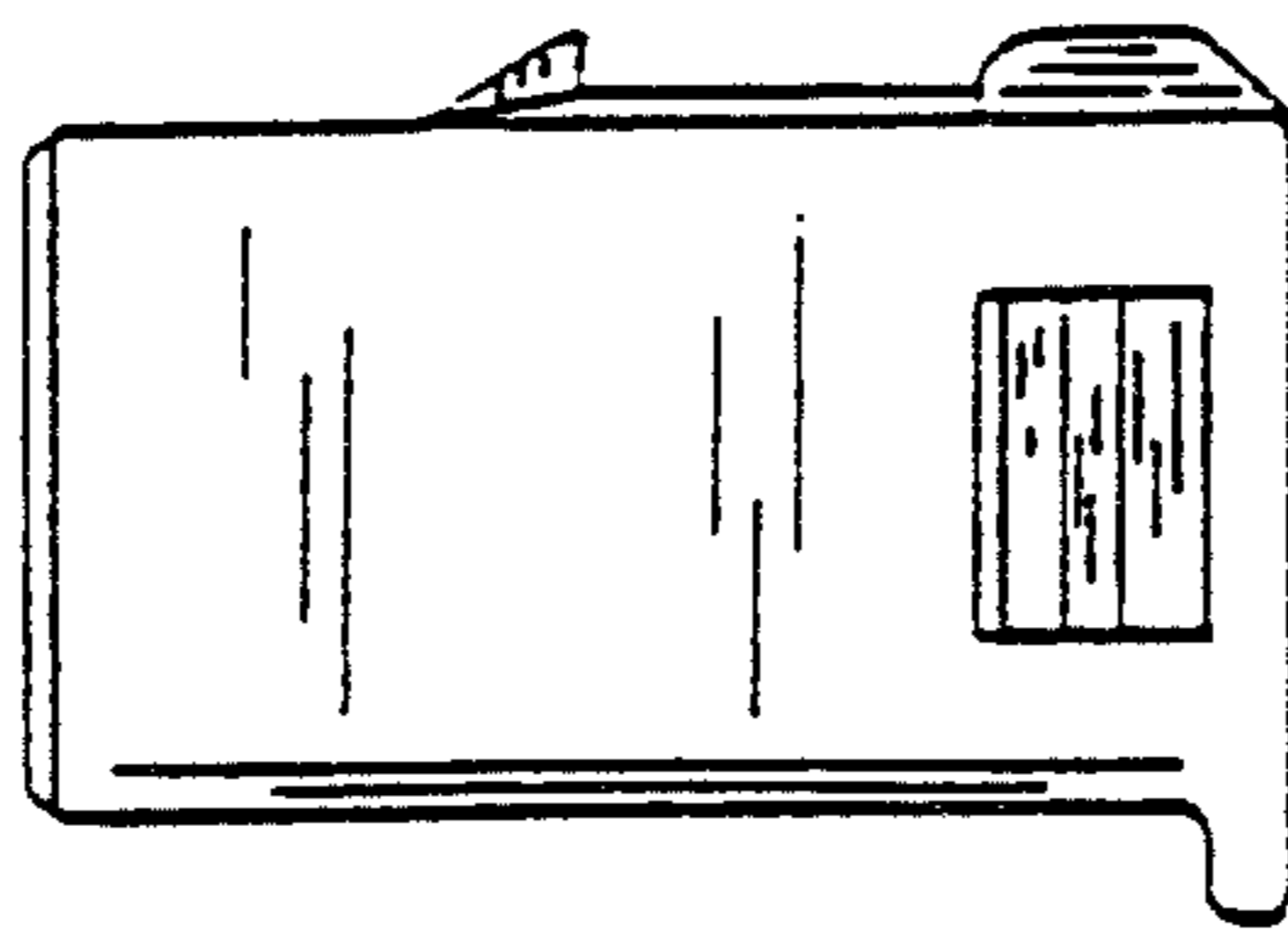


FIG. 7

