

- [54] **FLUORESCENT LAMP HOLDER OR THE LIKE**
- [75] Inventors: **Ronald G. Blaisdell, Saugus; Robert Y. Pai, Hamilton, both of Mass.**
- [73] Assignee: **GTE Products Corporation, Danvers, Mass.**
- [**] Term: **14 Years**
- [21] Appl. No.: **444,333**
- [22] Filed: **Dec. 1, 1989**
- [52] U.S. Cl. **D13/136**
- [58] Field of Search **D13/133-136; 313/315, 318, 264, 356; 362/216, 217, 295; 439/226, 236, 242, 280, 612, 871, 830**

- 4,458,301 7/1984 Champan et al. .
- 4,683,402 7/1987 Aubrey 313/318 X
- 4,803,600 2/1989 Pepping 439/236 X
- 4,912,363 3/1990 Van Heeswijk et al. 313/315 X

Primary Examiner—Susan J. Lucas
Assistant Examiner—M. H. Tung
Attorney, Agent, or Firm—Carlo S. Bessone

[57] **CLAIM**

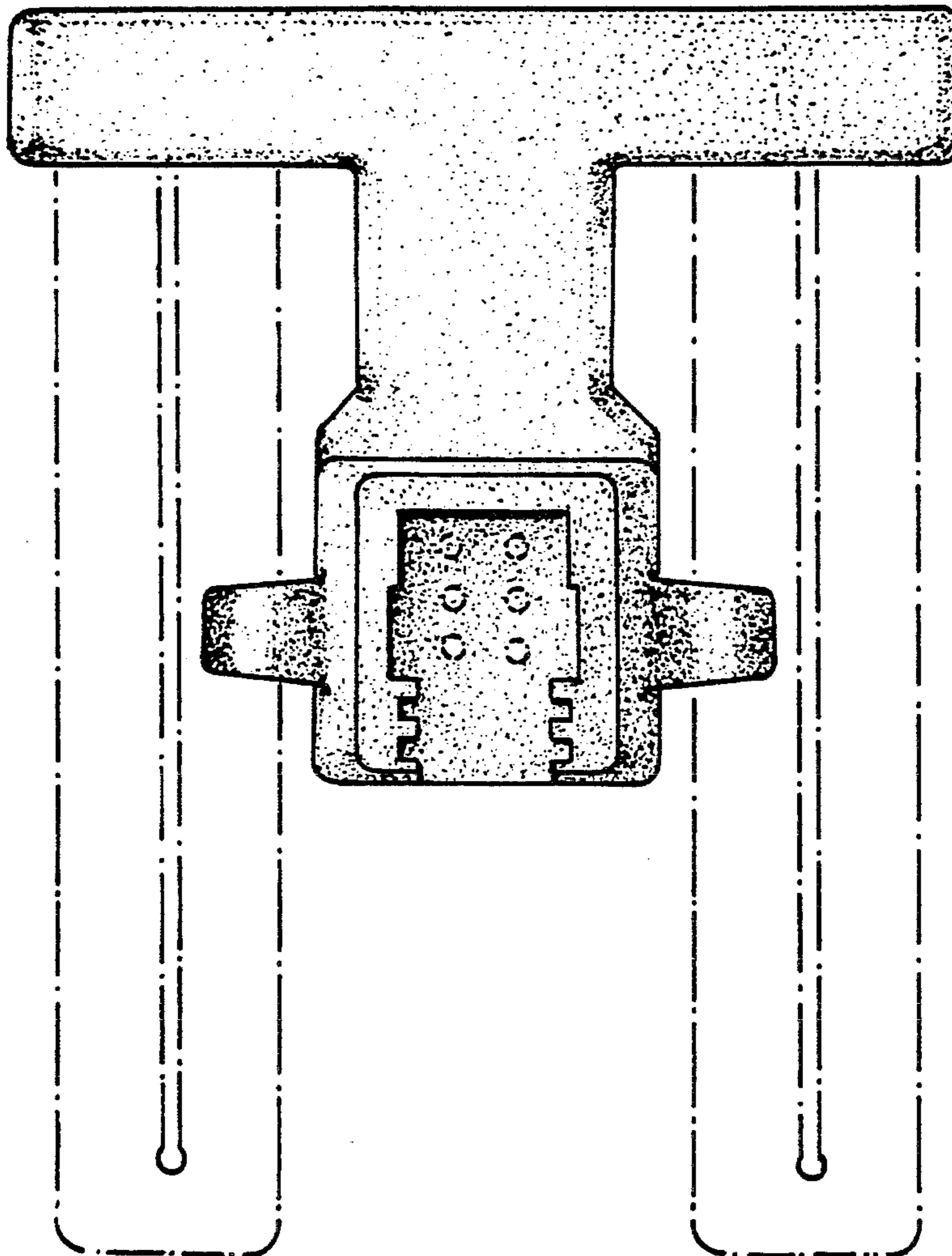
The ornamental design for a fluorescent lamp holder or the like, as shown and described.

DESCRIPTION

FIG. 1 is a top plan view of a fluorescent lamp holder or the like showing our new design;
 FIG. 2 is a bottom plan view thereof;
 FIG. 3 is a front elevational view thereof;
 FIG. 4 is a rear elevational view thereof;
 FIG. 5 is a side elevational view thereof; and
 FIG. 6 is the opposite side elevational view thereof.
 The broken line drawings of the fluorescent lamp bulbs and the terminal pins are for illustrative purposes only and part of the claimed design.

[56] **References Cited**
U.S. PATENT DOCUMENTS

- D. 273,999 5/1984 Chapman et al. .
- 3,188,459 6/1965 Bridwell 439/226 X
- 3,631,376 12/1971 Halfaker 362/217 X
- 4,454,569 6/1984 Maguire 362/216 X



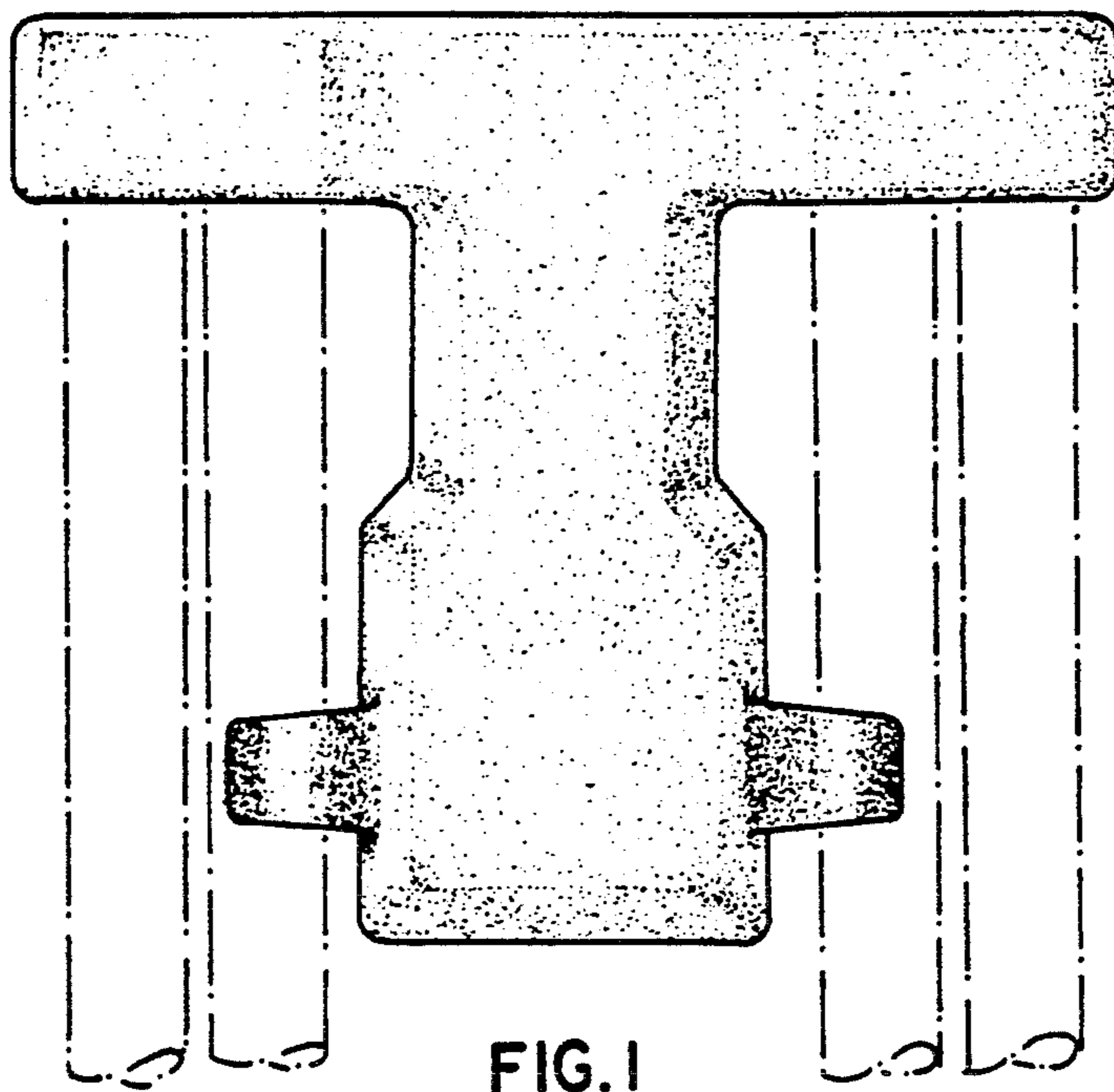


FIG. 1

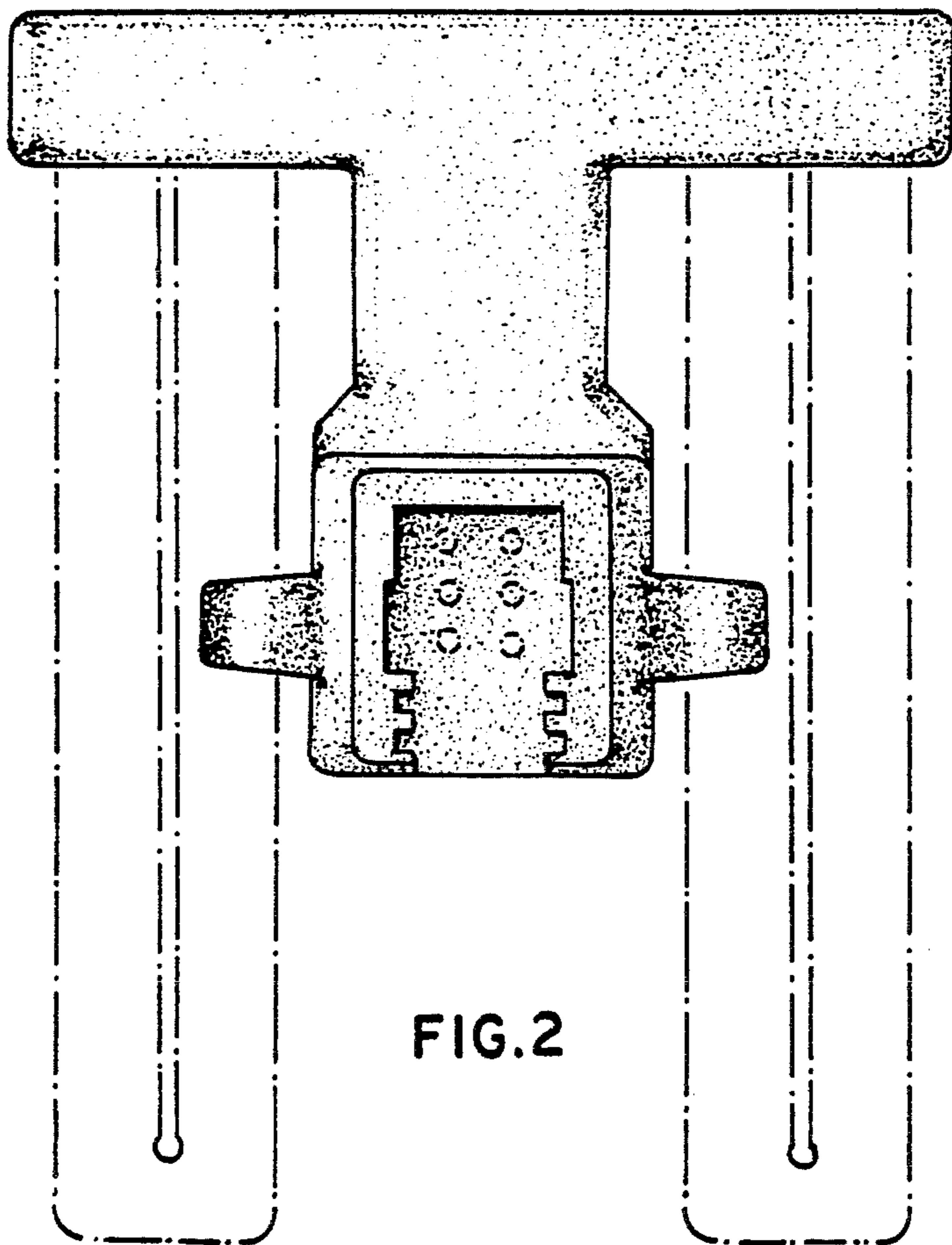


FIG. 2

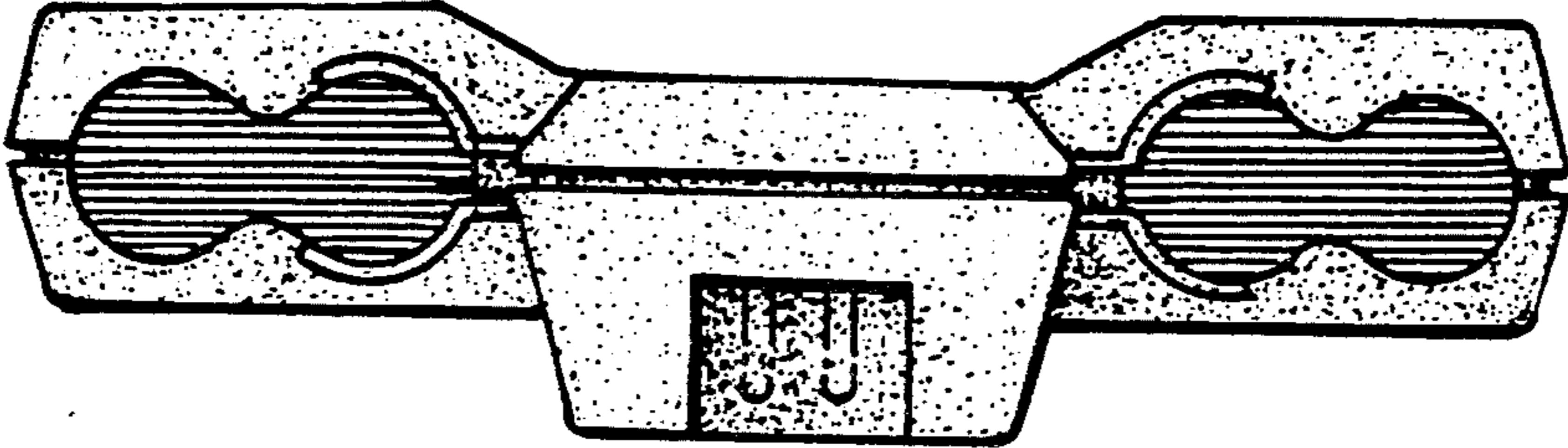


FIG. 3

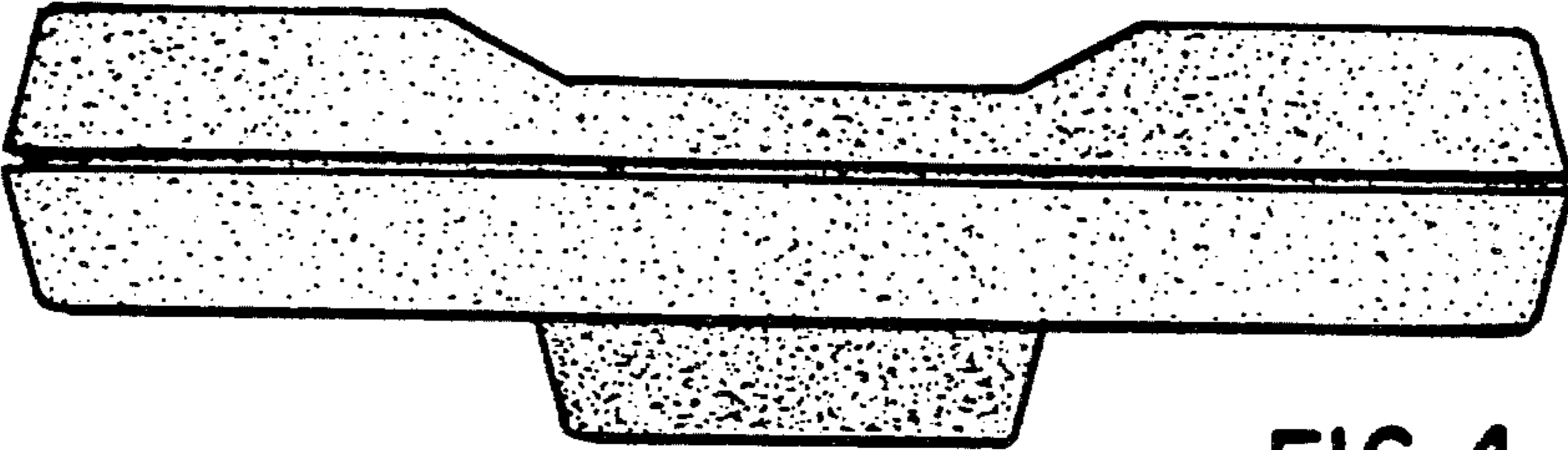


FIG. 4

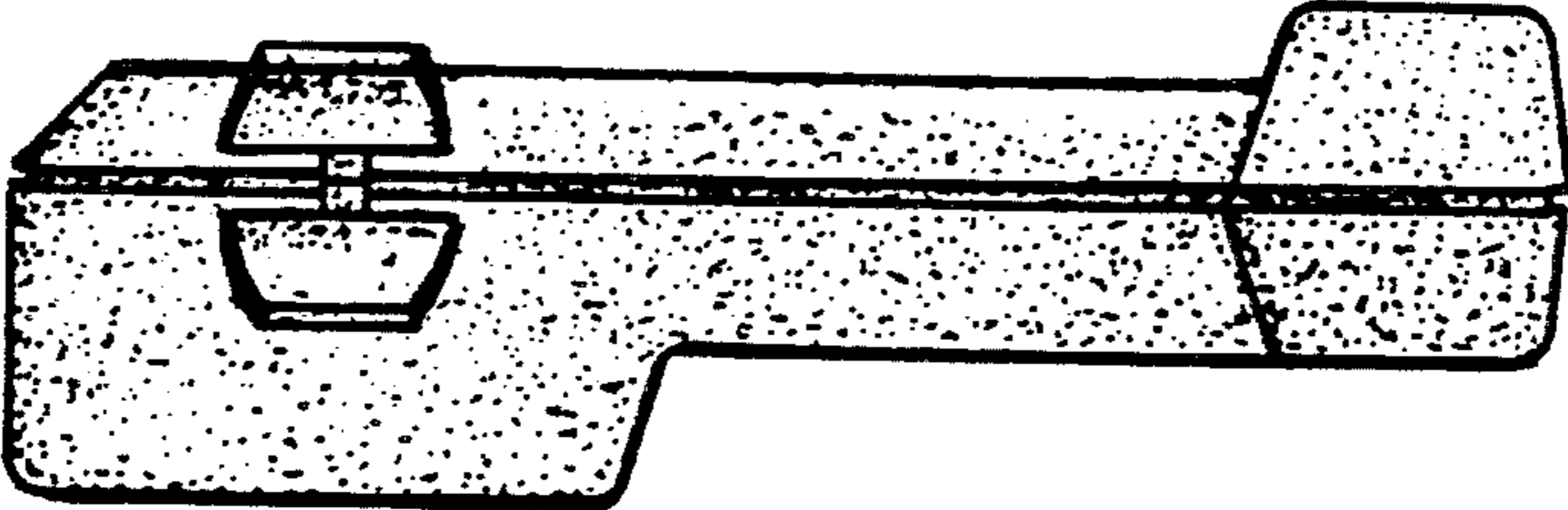


FIG. 5

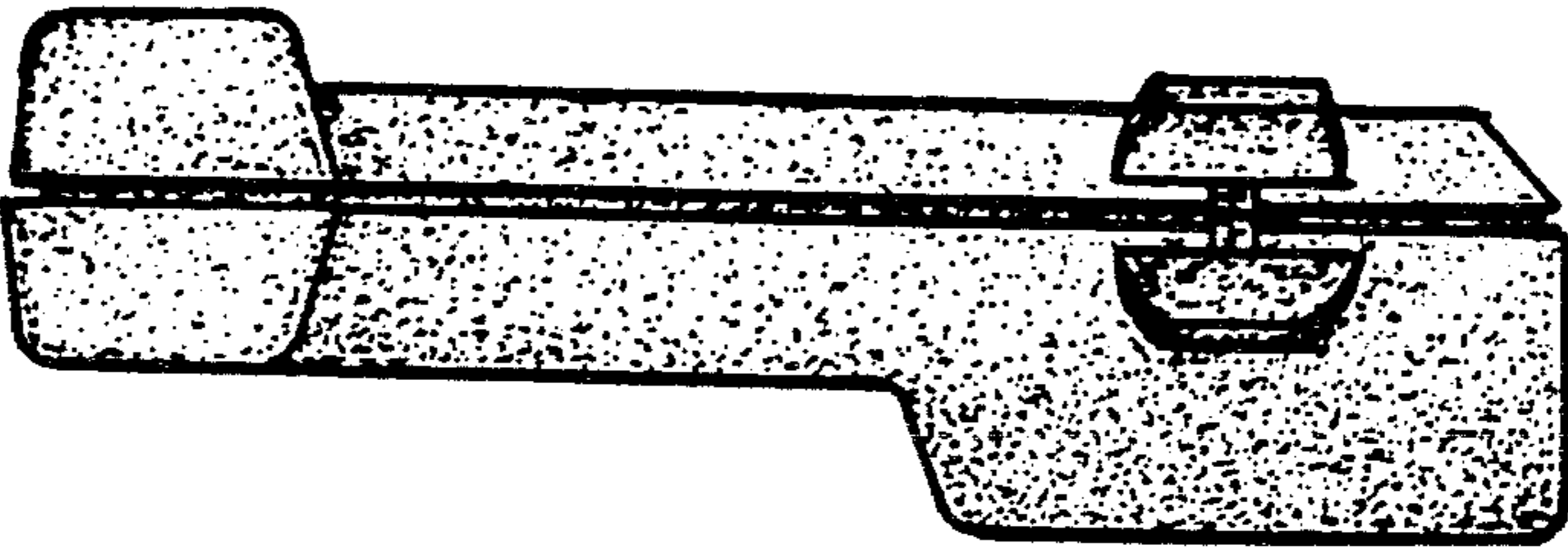


FIG. 6