

[54] BATTERY STORAGE TRAY

[75] Inventors: Warwick M. Whitley, II, Lynn Haven, Fla.; James L. Kusiak, Grand Rapids, Mich.

[73] Assignee: Attwood Corporation, Lowell, Mich.

[**] Term: 14 Years

[21] Appl. No.: 414,078

[22] Filed: Sep. 28, 1989

[52] U.S. Cl. D13/119

[58] Field of Search D13/119; 248/503; 180/68.5; 429/96, 100

[56] References Cited

U.S. PATENT DOCUMENTS

3,557,895	1/1971	Thomas	180/68.5
3,866,704	2/1975	Bowers et al.	180/68.5
4,327,809	5/1982	Fenstermaker	180/68.5
4,520,887	6/1985	Di Fazio	180/68.5
4,565,256	1/1986	Valdez	248/503 X
4,754,827	7/1988	Hirabayashi	180/68.5

OTHER PUBLICATIONS

BH Battery Holder, p. 3 of T-H Marine Supplies, Inc. 1987-1988, catalog.

Det-Mar Universal Battery Holder, p. 249 of catalog published more than one year before the present date.

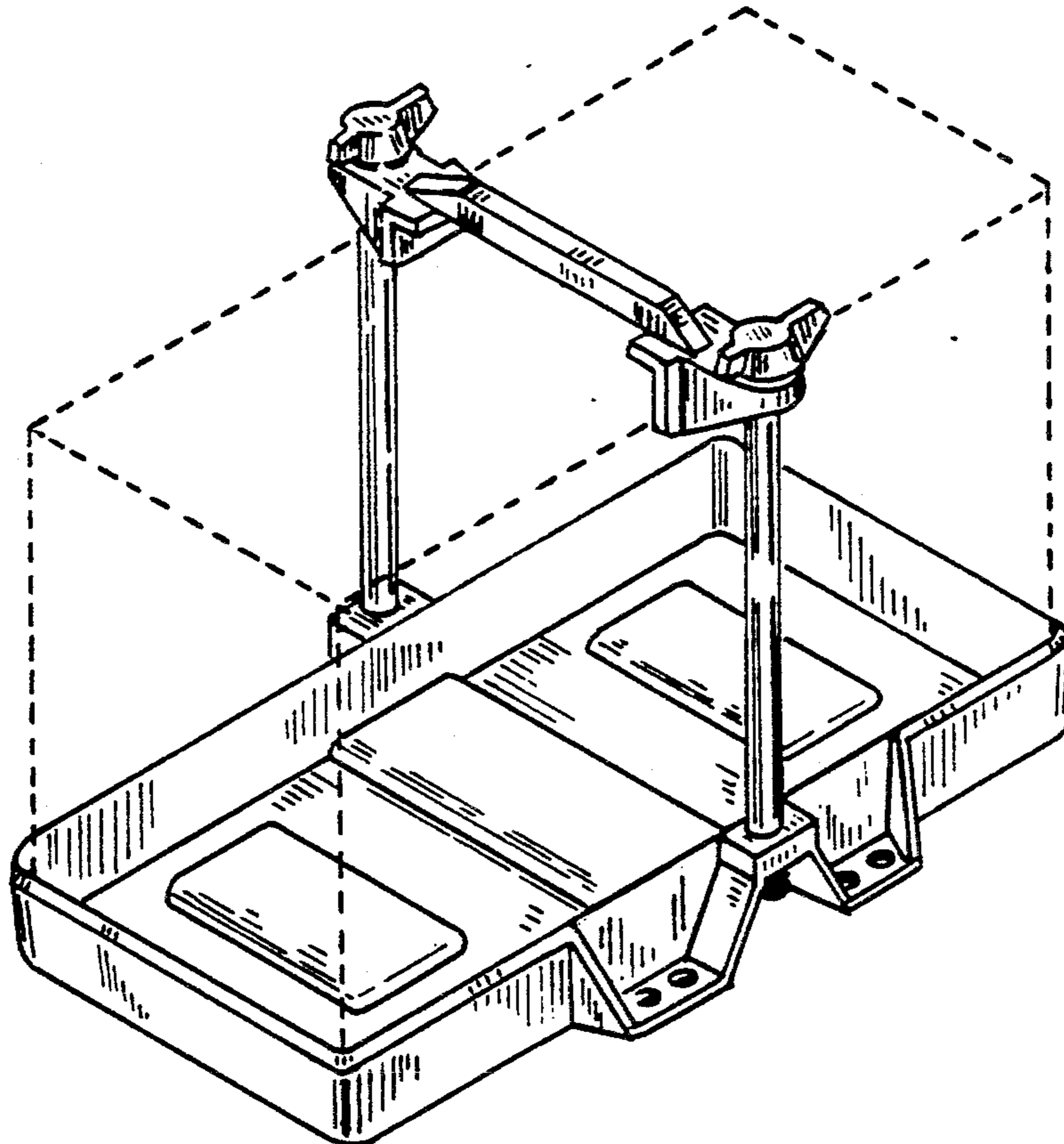
Primary Examiner—Susan J. Lucas
Assistant Examiner—J. Sincavage
Attorney, Agent, or Firm—Price, Heneveld, Cooper, DeWitt & Litton

[57] CLAIM

The ornamental design for a battery storage tray, as shown and described.

DESCRIPTION

FIG. 1 is a top perspective view of a battery storage tray showing our new design;
FIG. 2 is a right side elevational view of a battery storage tray showing our new design on an enlarged scale, the left side elevational view being a mirror image except for the wing nut;
FIG. 3 is a front end elevational view thereof, the rear end elevational view being a mirror image except for the wing nuts;
FIG. 4 is a top plan view thereof;
FIG. 5 is a bottom plan view thereof.
The broken line showing throughout the drawing figures is included for the purpose of illustrating environmental elements only and forms no part of the claimed design.



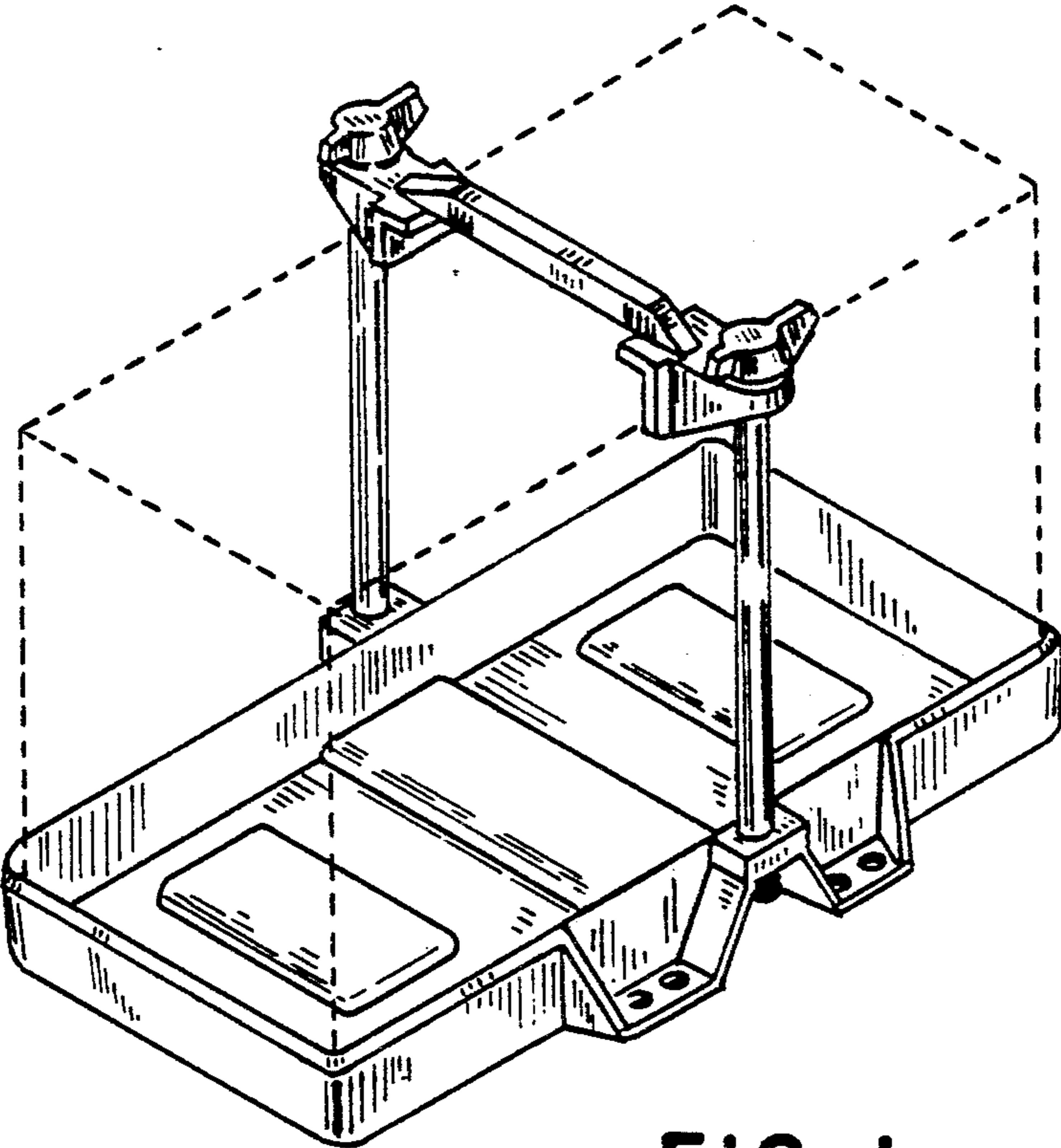


FIG. 1

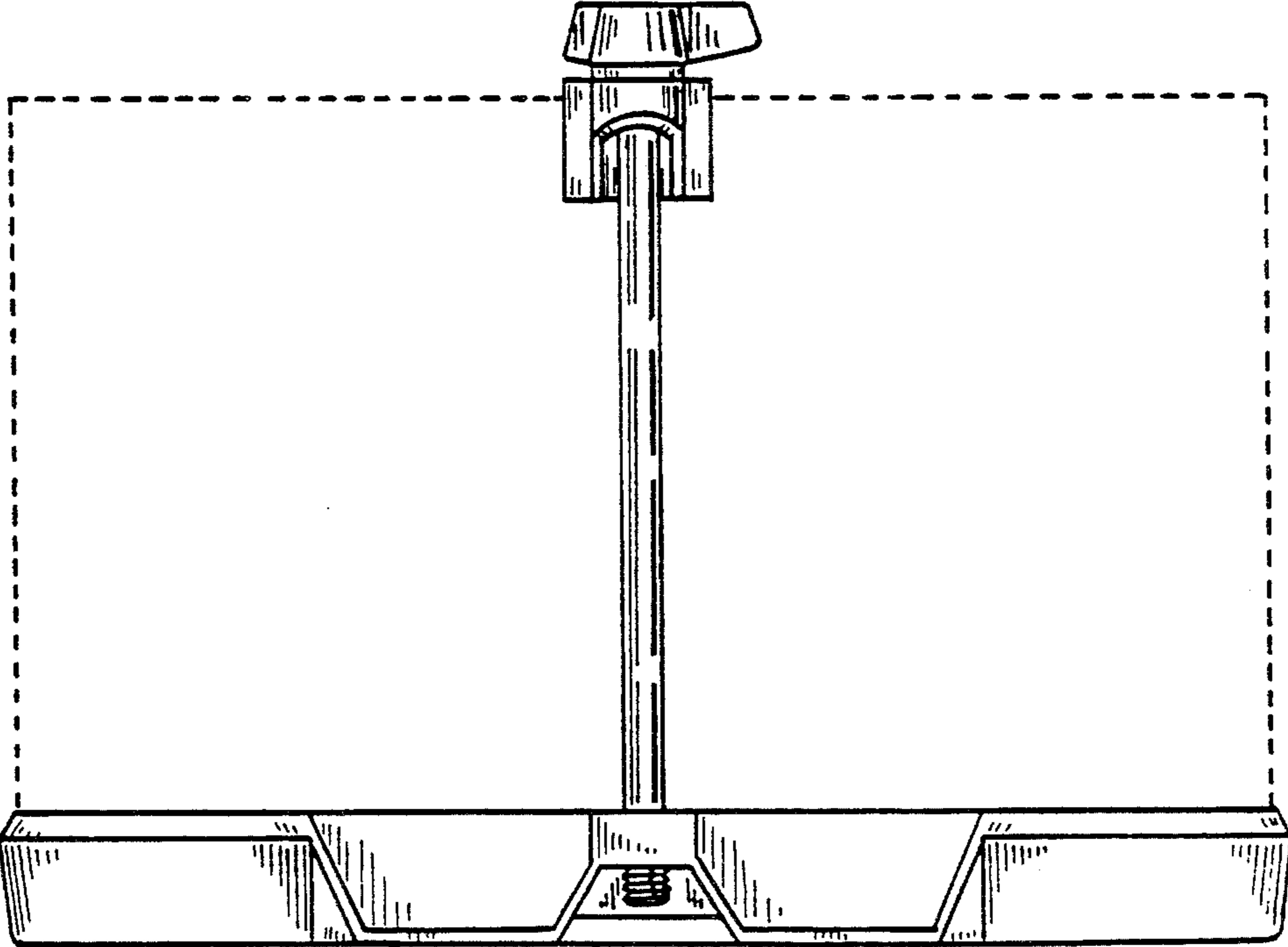


FIG. 2

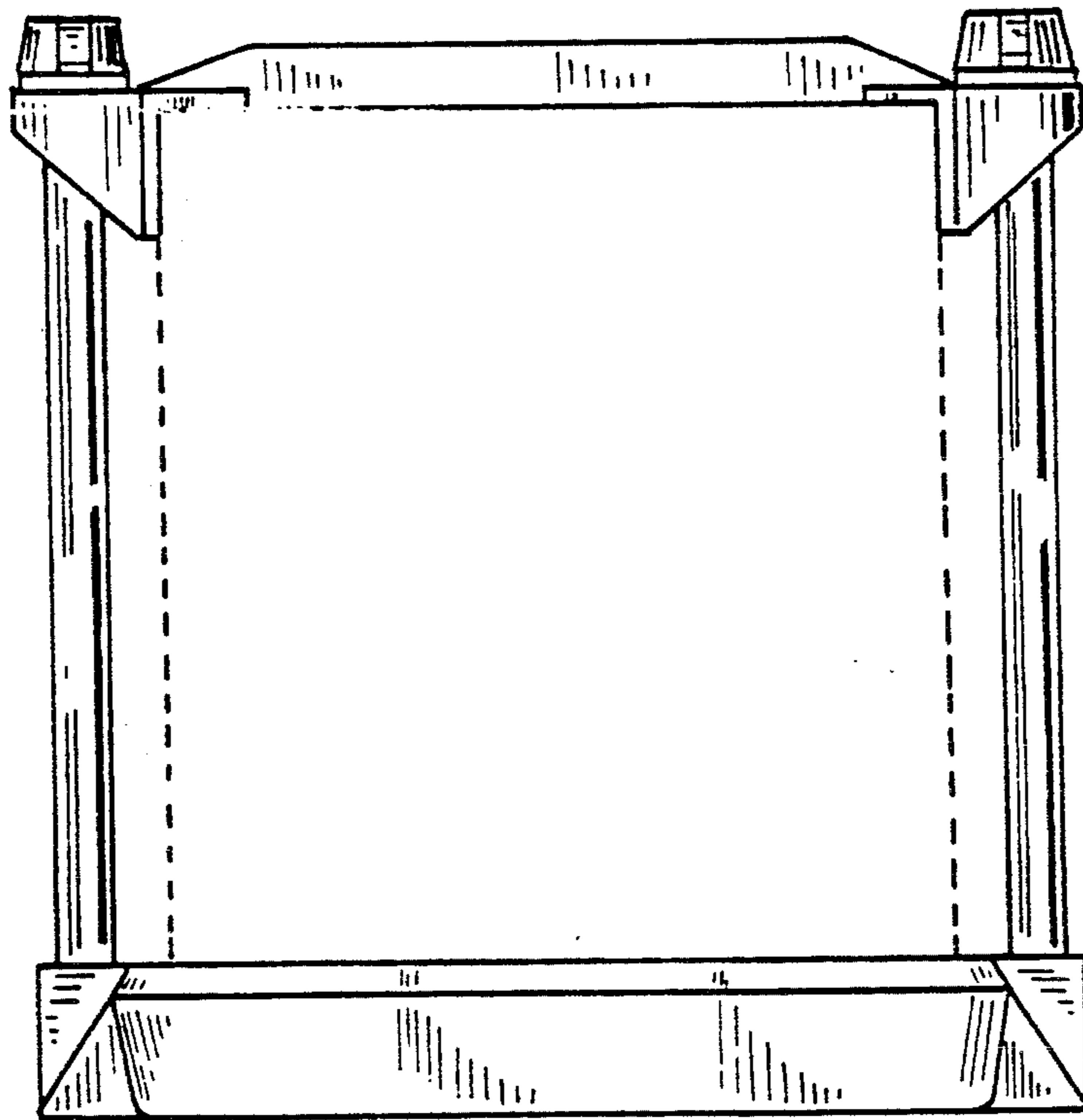


FIG. 3

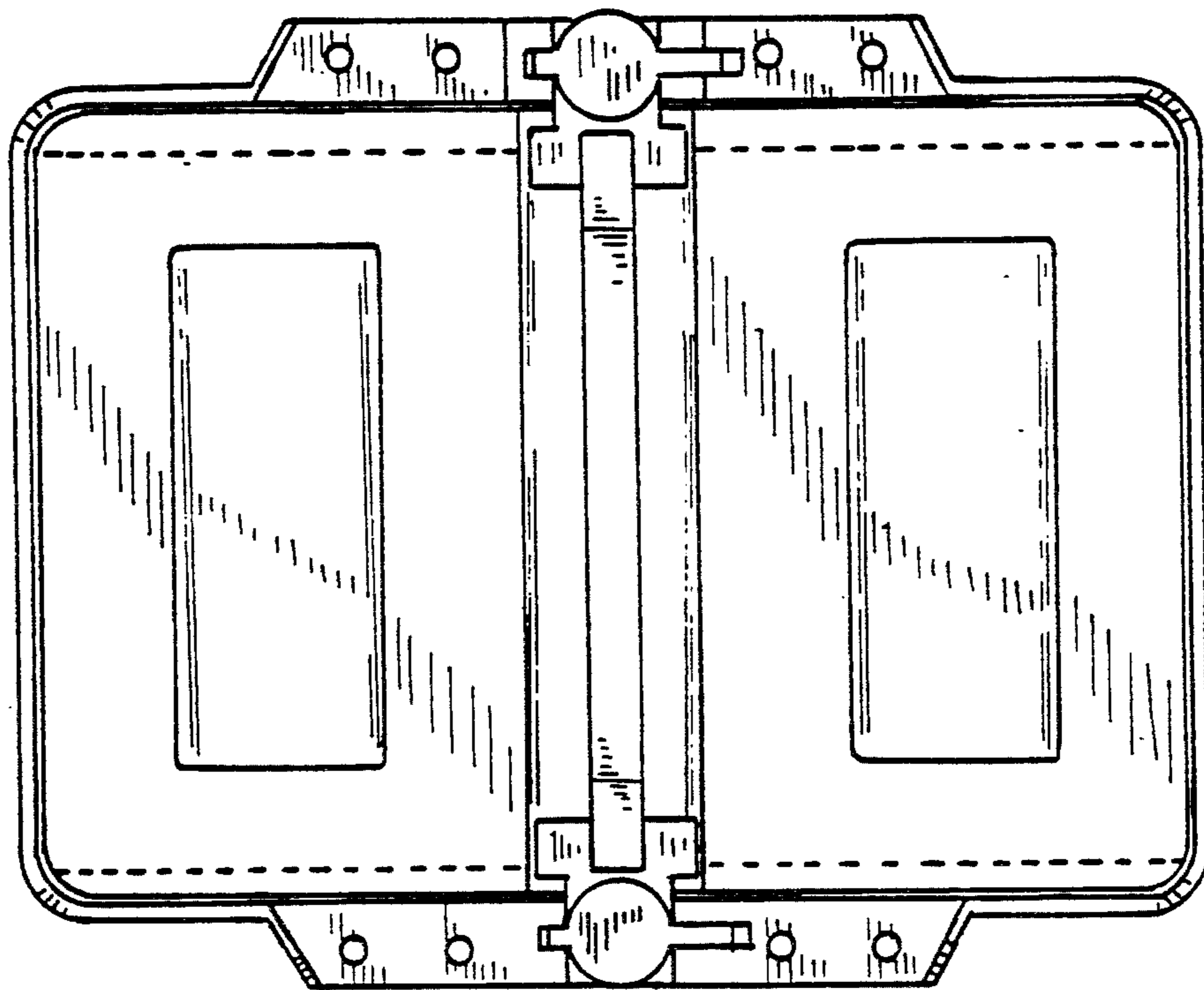


FIG. 4

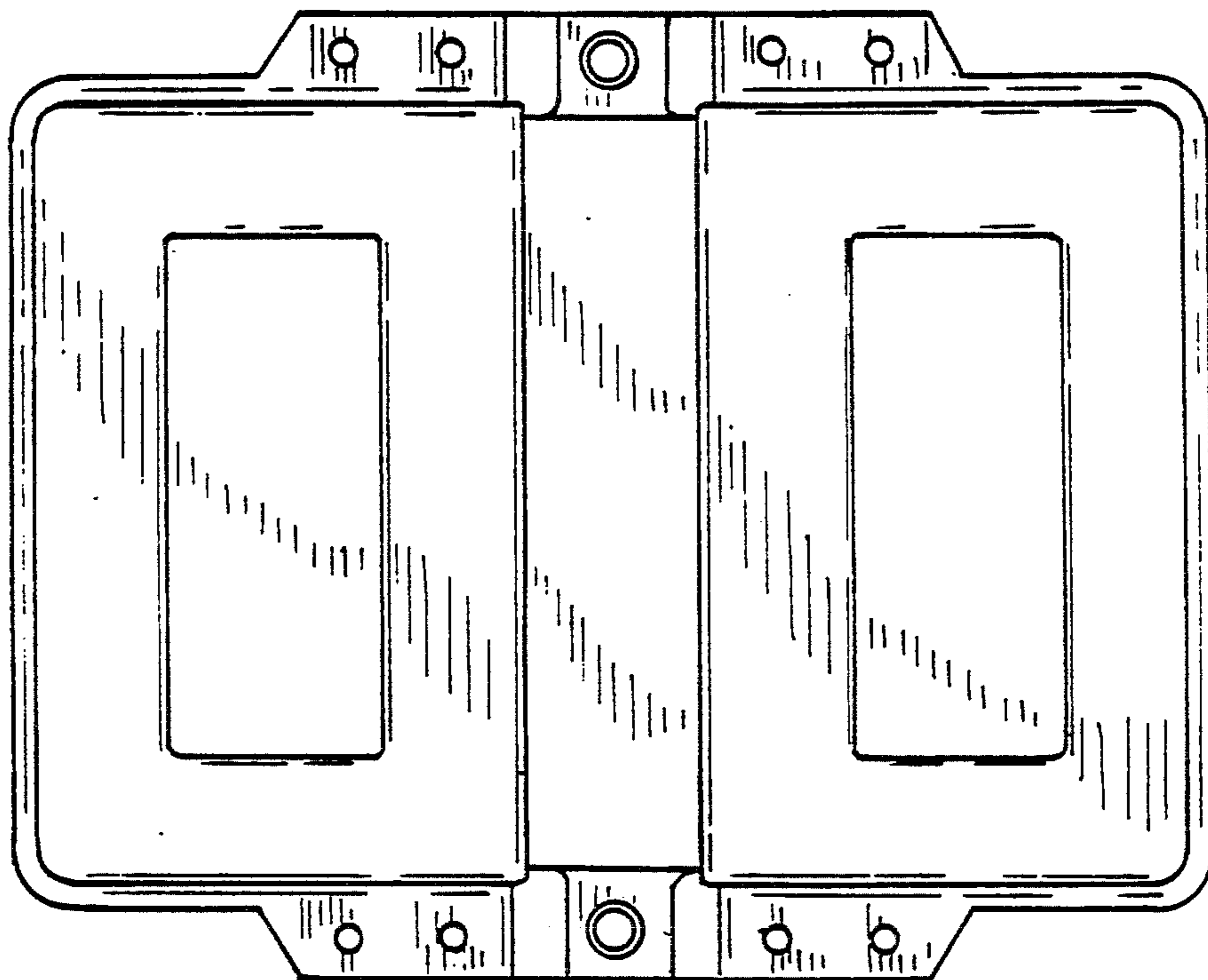


FIG. 5