

[54] BATTERY RECHARGER

[75] Inventor: Grant D. Ross, Jr., Morgan Hill, Calif.

[73] Assignee: Apple Computer, Inc., Cupertino, Calif.

[**] Term: 14 Years

[21] Appl. No.: 326,205

[22] Filed: Mar. 20, 1989

[52] U.S. Cl. D13/107

[58] Field of Search D13/107, 108, 109, 120, D13/184; D14/253; 320/2, 3, 4, 5

[56] References Cited

U.S. PATENT DOCUMENTS

- D. 225,594 12/1972 Brooks et al. D13/158 X
- D. 270,232 8/1983 Leong D8/353

- D. 287,006 12/1986 Fletcher et al. D13/184
- 3,089,070 5/1963 Ralph 320/2
- 4,786,851 11/1988 Fuji et al. 320/2

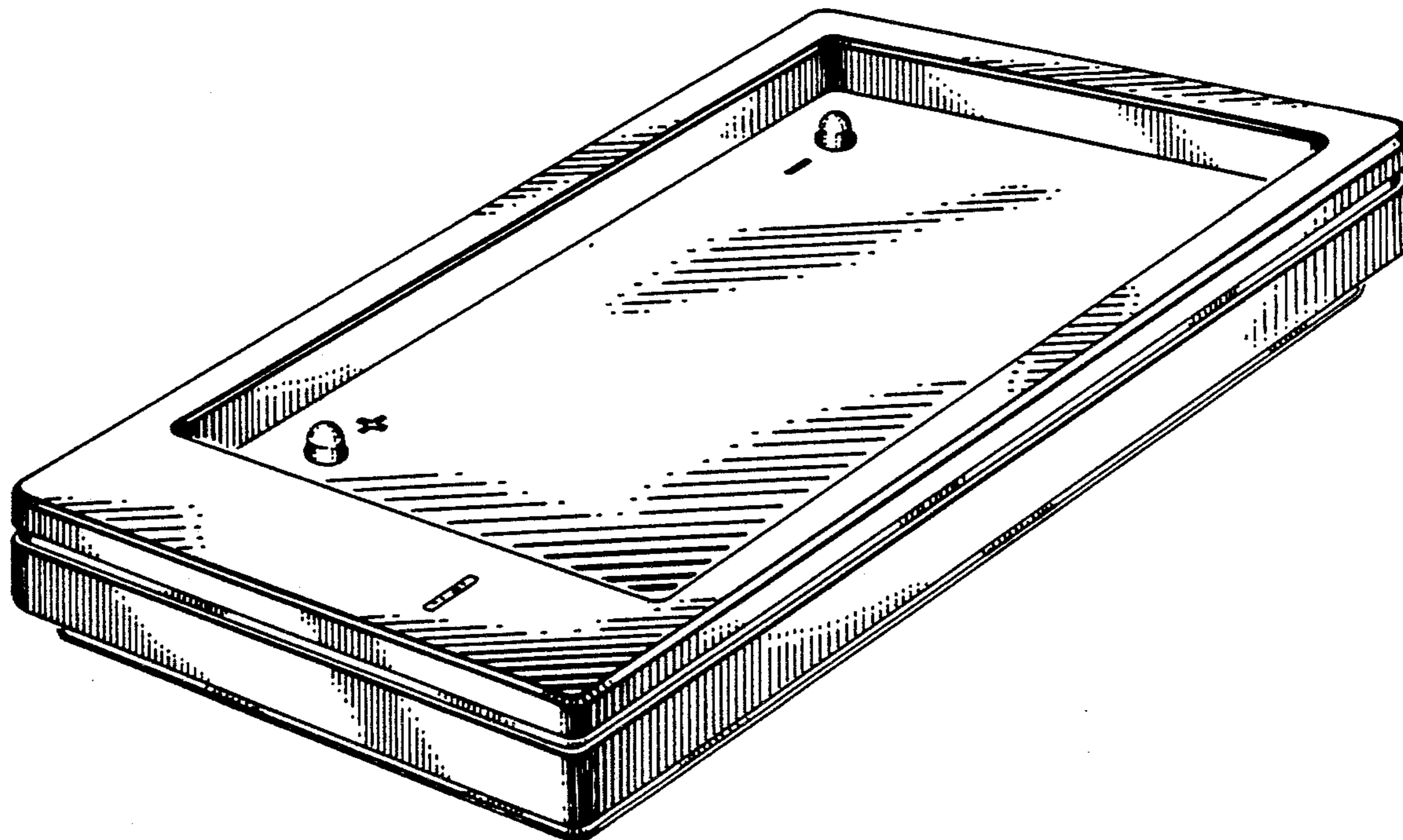
Primary Examiner—Susan J. Lucas
Assistant Examiner—J. Sincavage
Attorney, Agent, or Firm—Franklyn C. Weiss

[57] CLAIM

The ornamental design for the battery recharger, as shown and described.

DESCRIPTION

FIG. 1 is a front and upper left perspective view of a battery recharger showing my new design; FIG. 2 is a front elevational view thereof; FIG. 3 is a right side elevational view thereof. FIG. 4 is a left side elevational view thereof; and FIG. 5 is a rear elevational view thereof; FIG. 6 is a top plan view thereof; FIG. 7 is a bottom plan view thereof.



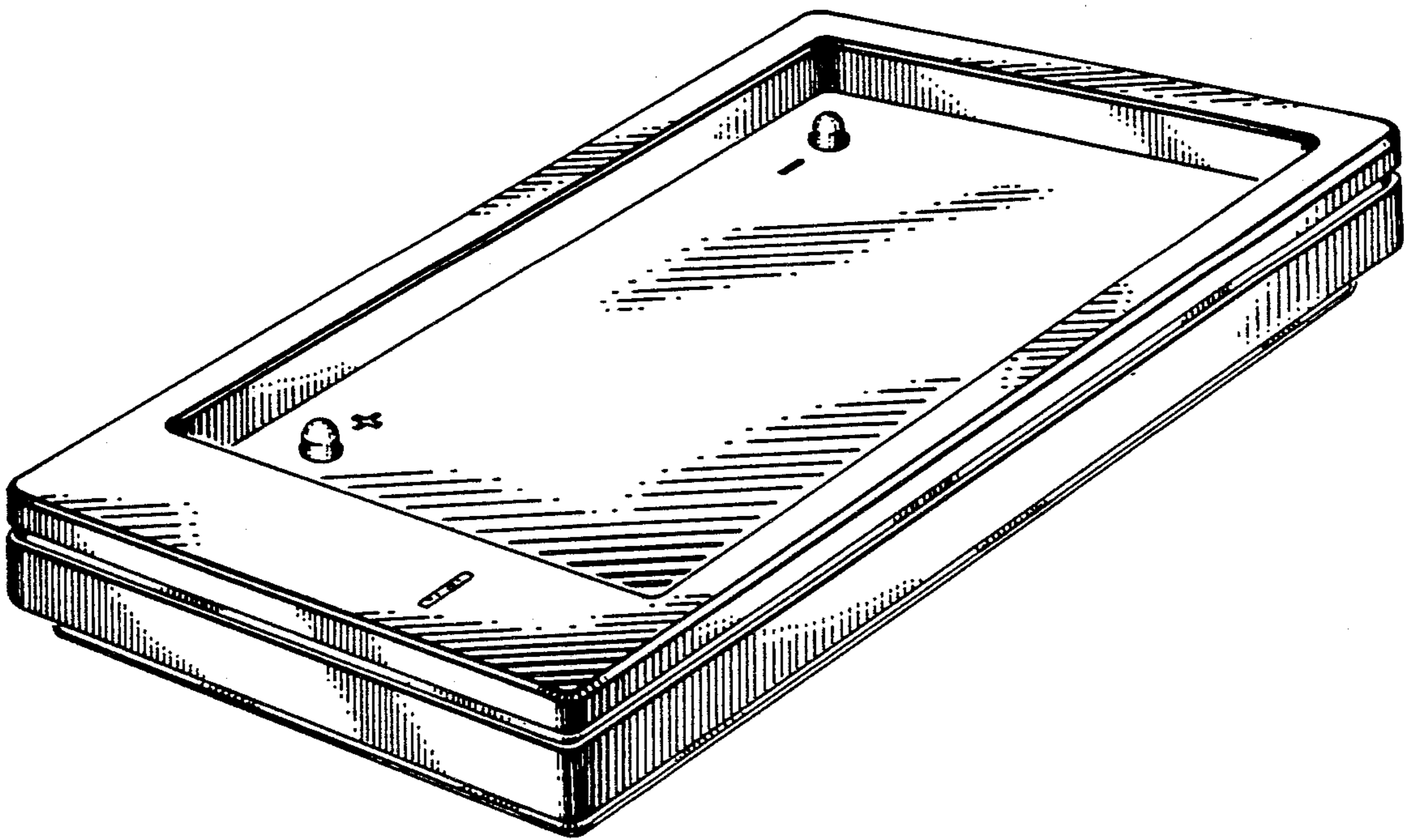


FIG 1

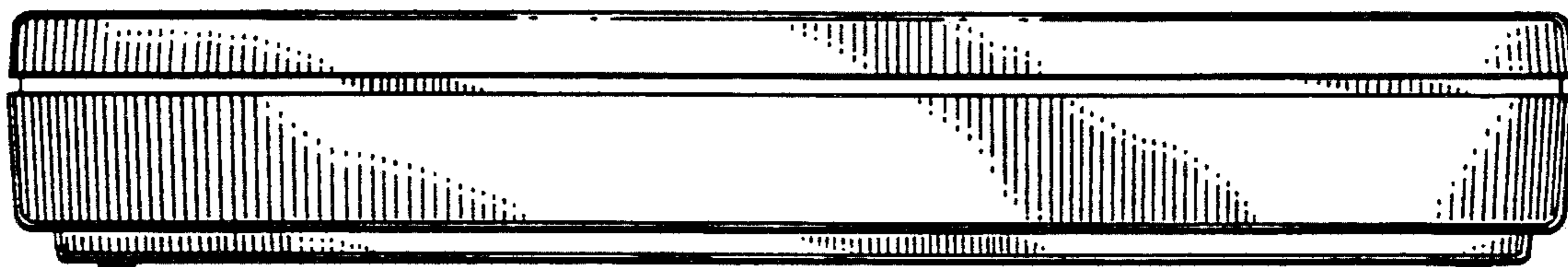


FIG 2

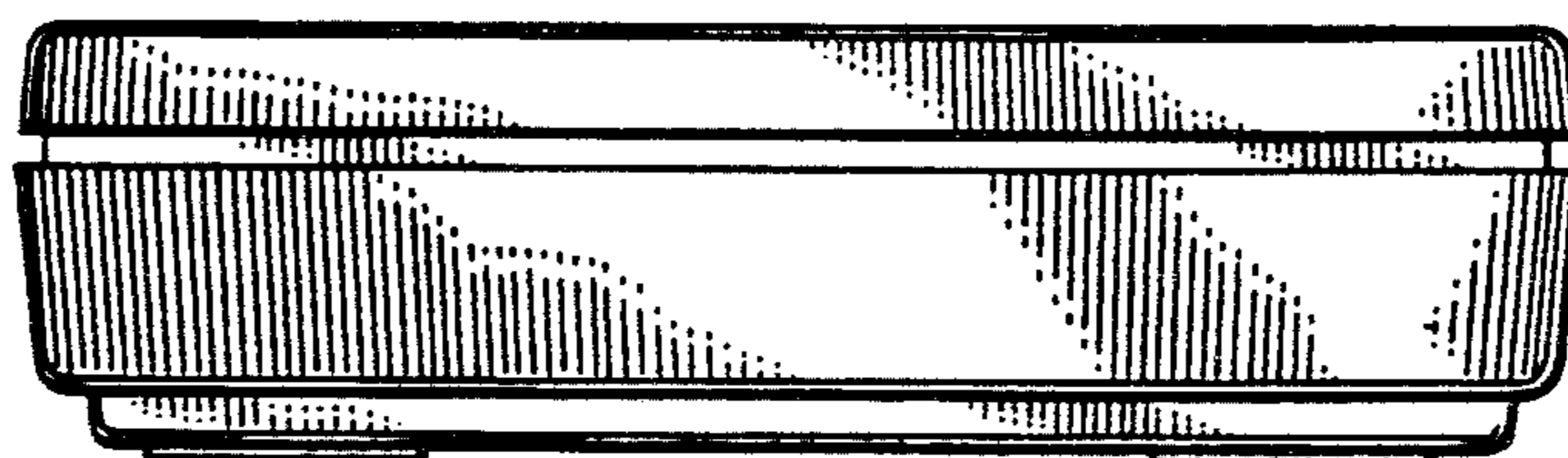


FIG 3

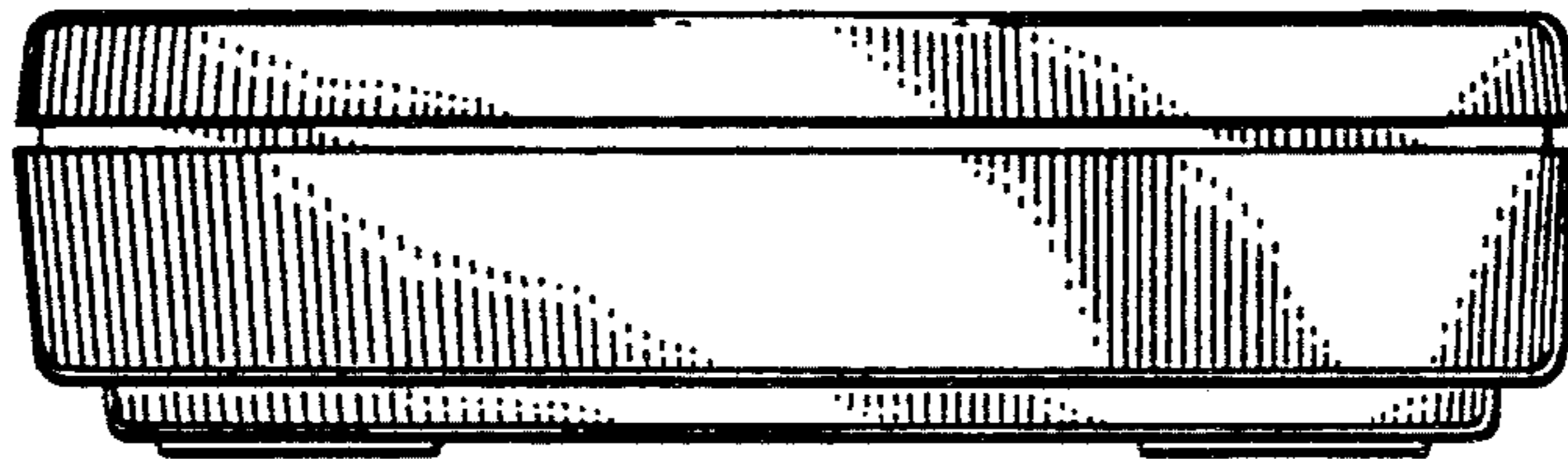


FIG 4

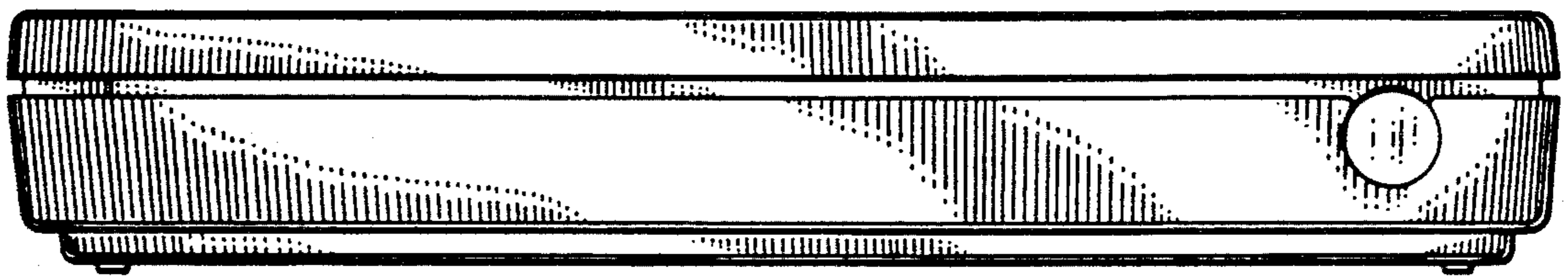


FIG 5

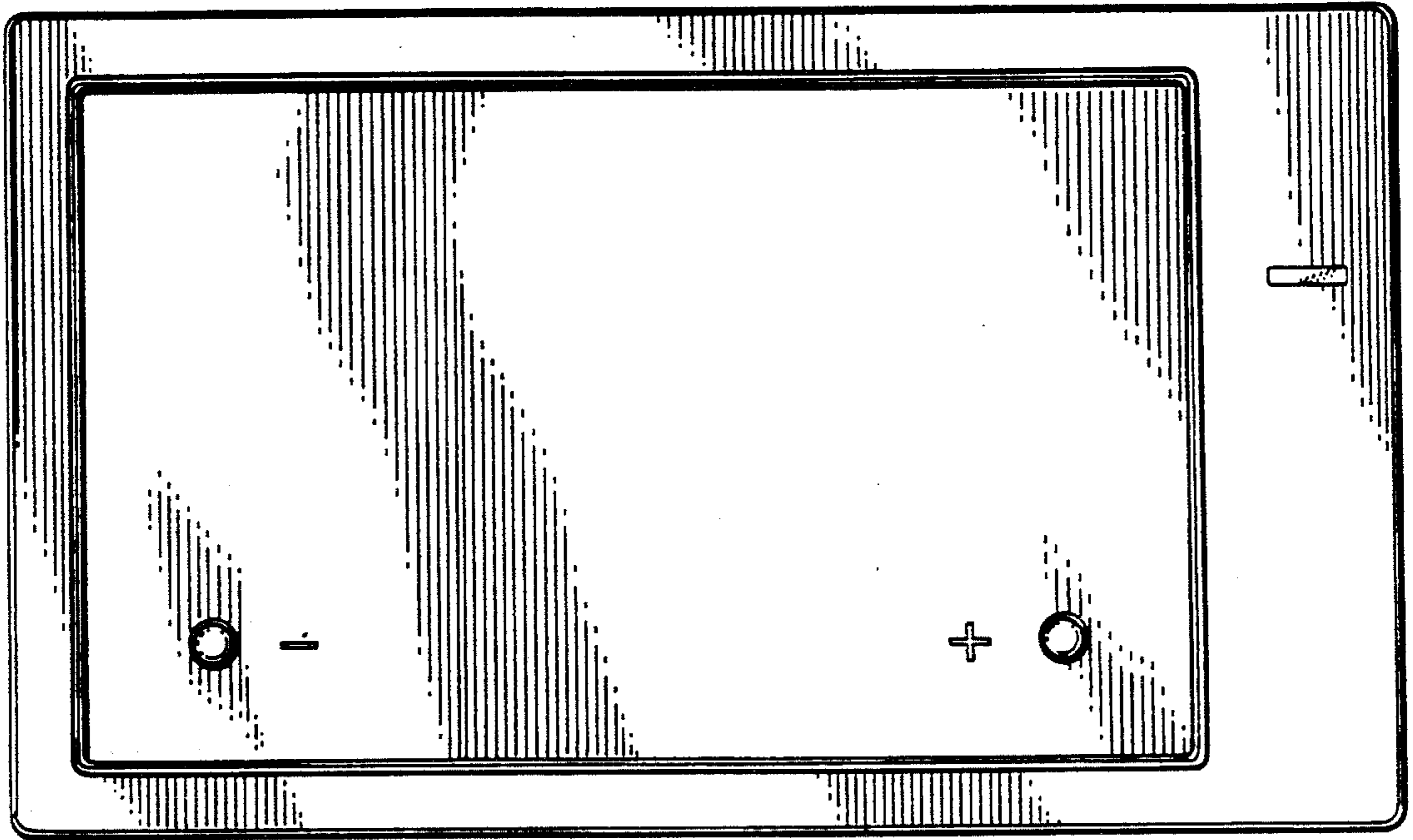


FIG 6

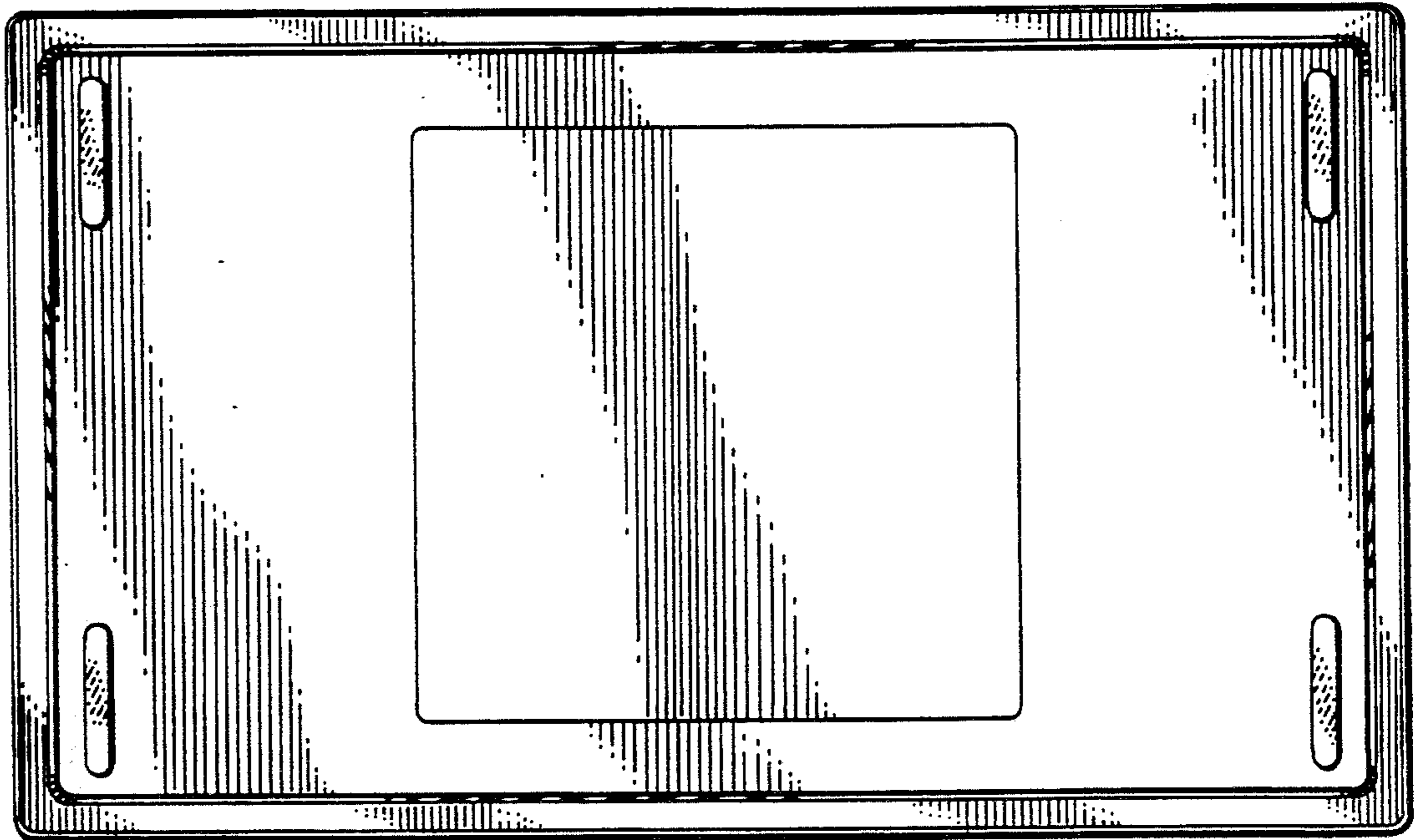


FIG 7