

[54] PEDAL OPERATED WATER CYCLE

[76] Inventors: John J. Foley; Ralph M. Eide; Ranald I. MacDonell, all of P.O. Box 68386, Oak Grove, Oreg. 97268

[\*\*] Term: 14 Years

[21] Appl. No.: 487,244

[22] Filed: Mar. 2, 1990

[52] U.S. Cl. .... D12/306; D12/304

[58] Field of Search ..... D12/300, 306, 303, 304; 440/26, 27, 90, 30, 31; 114/61

[56] References Cited

U.S. PATENT DOCUMENTS

2,263,911	11/1941	Wilson .....	D12/306
2,287,706	6/1942	Perry .....	D12/306
4,323,352	4/1982	Warren et al. ....	440/27
4,828,517	5/1989	Van Liefland .....	440/27

Primary Examiner—Kay H. Chin

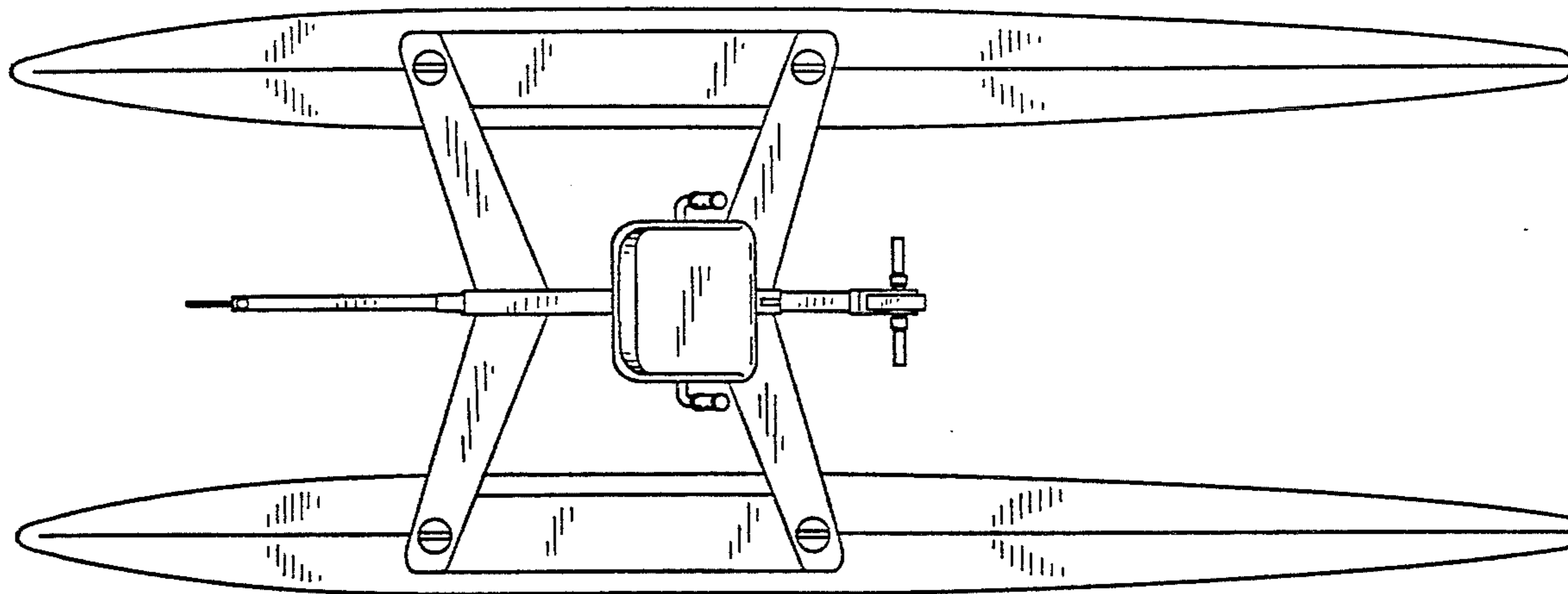
Attorney, Agent, or Firm—Eugene M. Eckelman

[57] CLAIM

The ornamental design for a pedal operated water cycle, as shown and described.

DESCRIPTION

FIG. 1 is a top plan view of a pedal operated water cycle showing our new design;  
 FIG. 2 is a left side elevational view thereof;  
 FIG. 3 is a right side elevational view thereof;  
 FIG. 4 is a bottom plan view thereof;  
 FIG. 5 is a front elevational view thereof;  
 FIG. 6 is a rear elevational view thereof;  
 FIG. 7 is a top plan view of a second embodiment of the pedal operated water cycle, the sole difference from the first embodiment being in the additional seat attached to the water cycle thereof;  
 FIG. 8 is a left side elevational view of FIG. 7;  
 FIG. 9 is a right side elevational view of FIG. 7;  
 FIG. 10 is a bottom plan view of FIG. 7;  
 FIG. 11 is a front elevational view of FIG. 7;  
 FIG. 12 is a rear elevational view of FIG. 7.



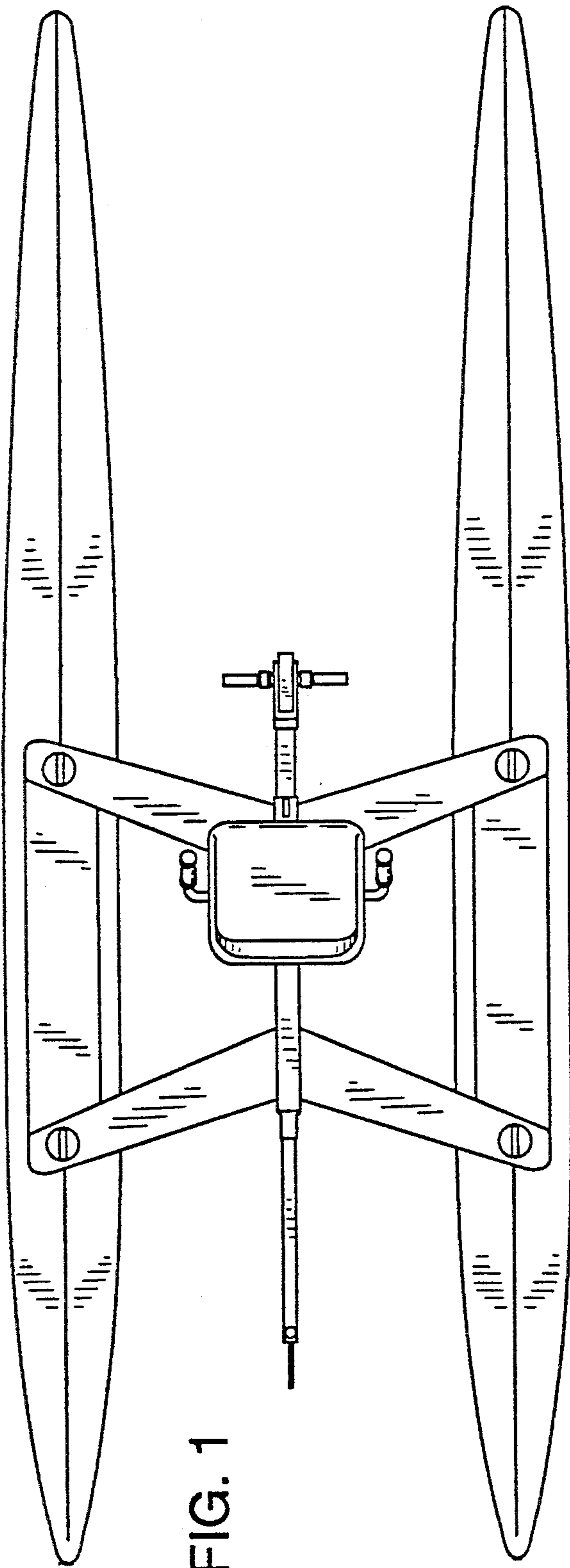


FIG. 1

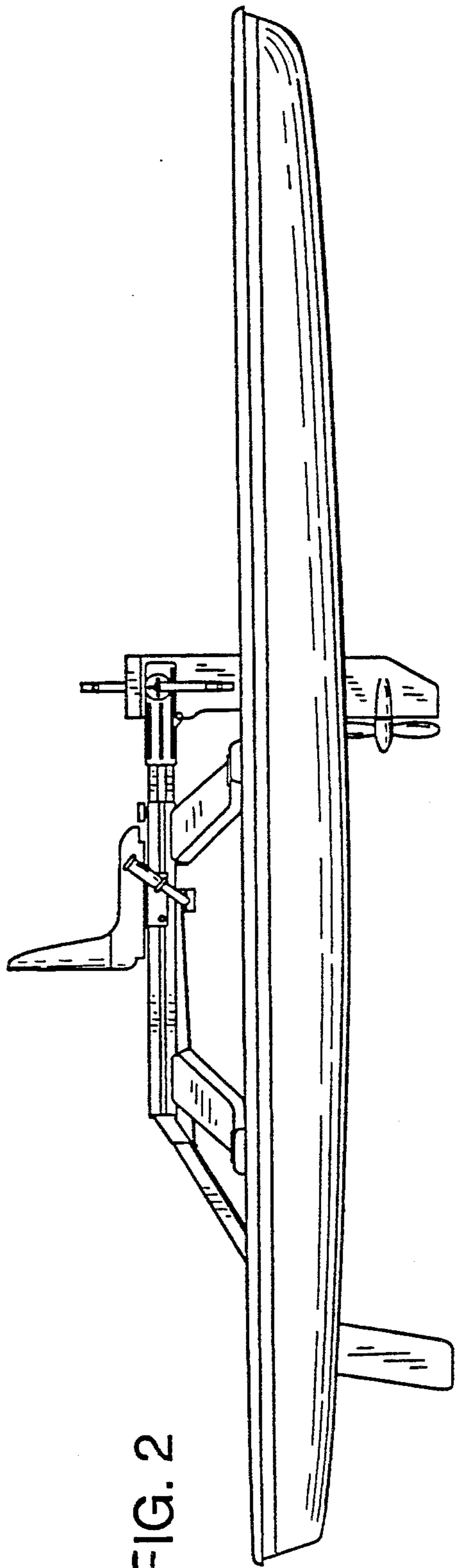


FIG. 2

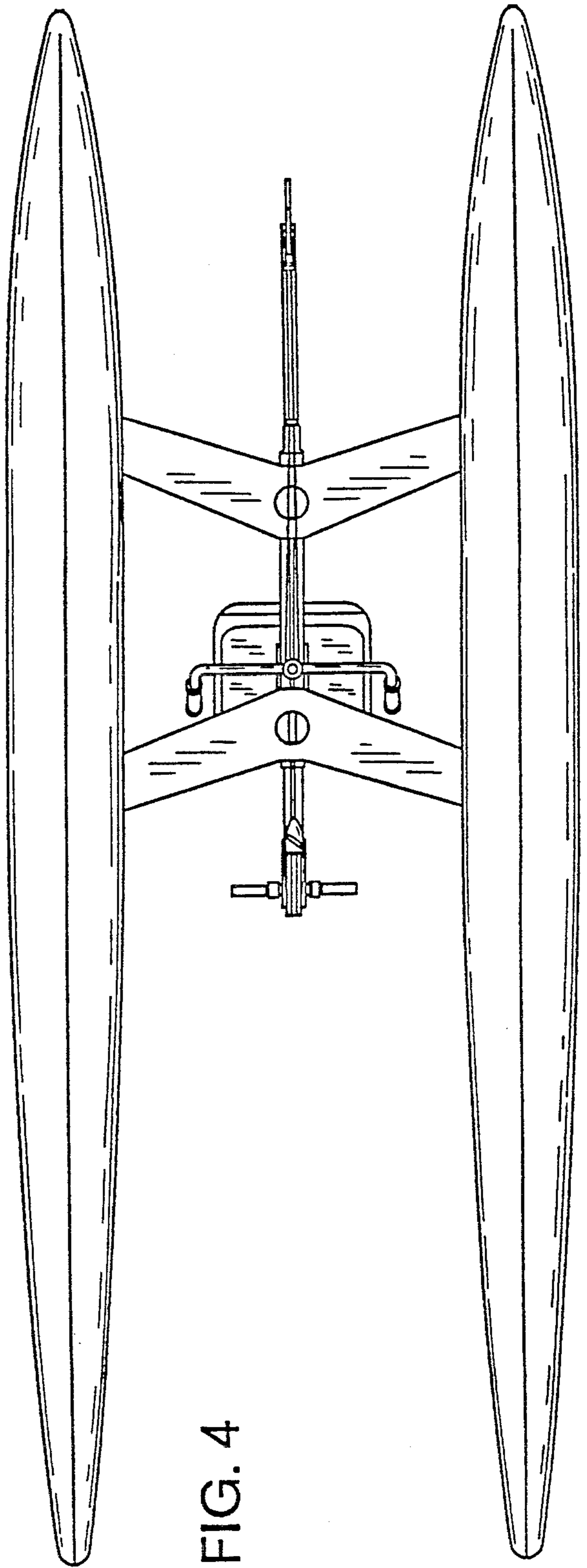
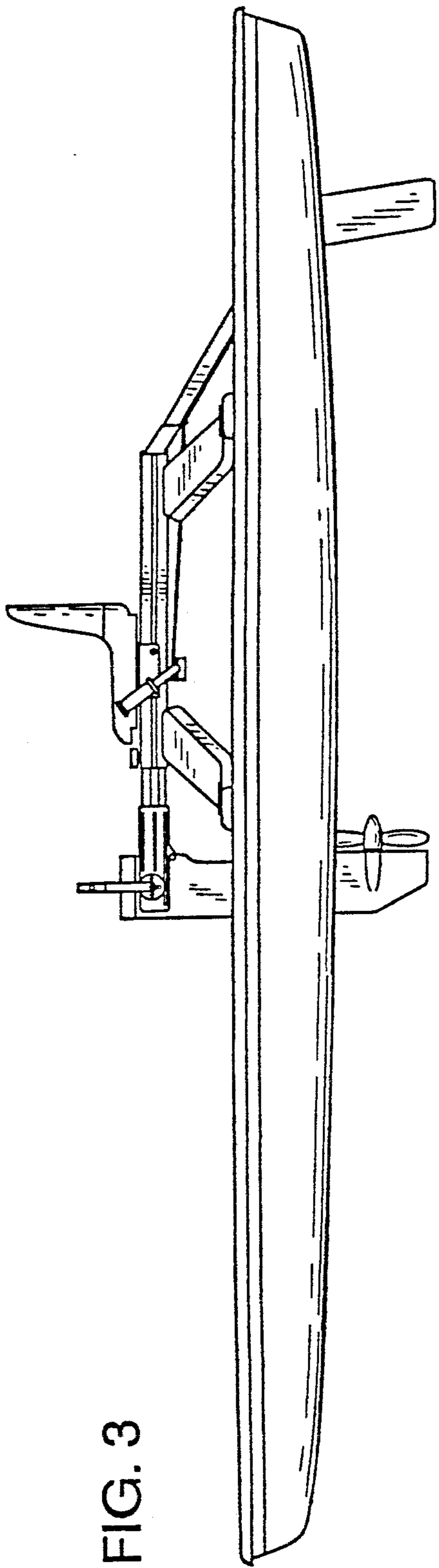


FIG. 5

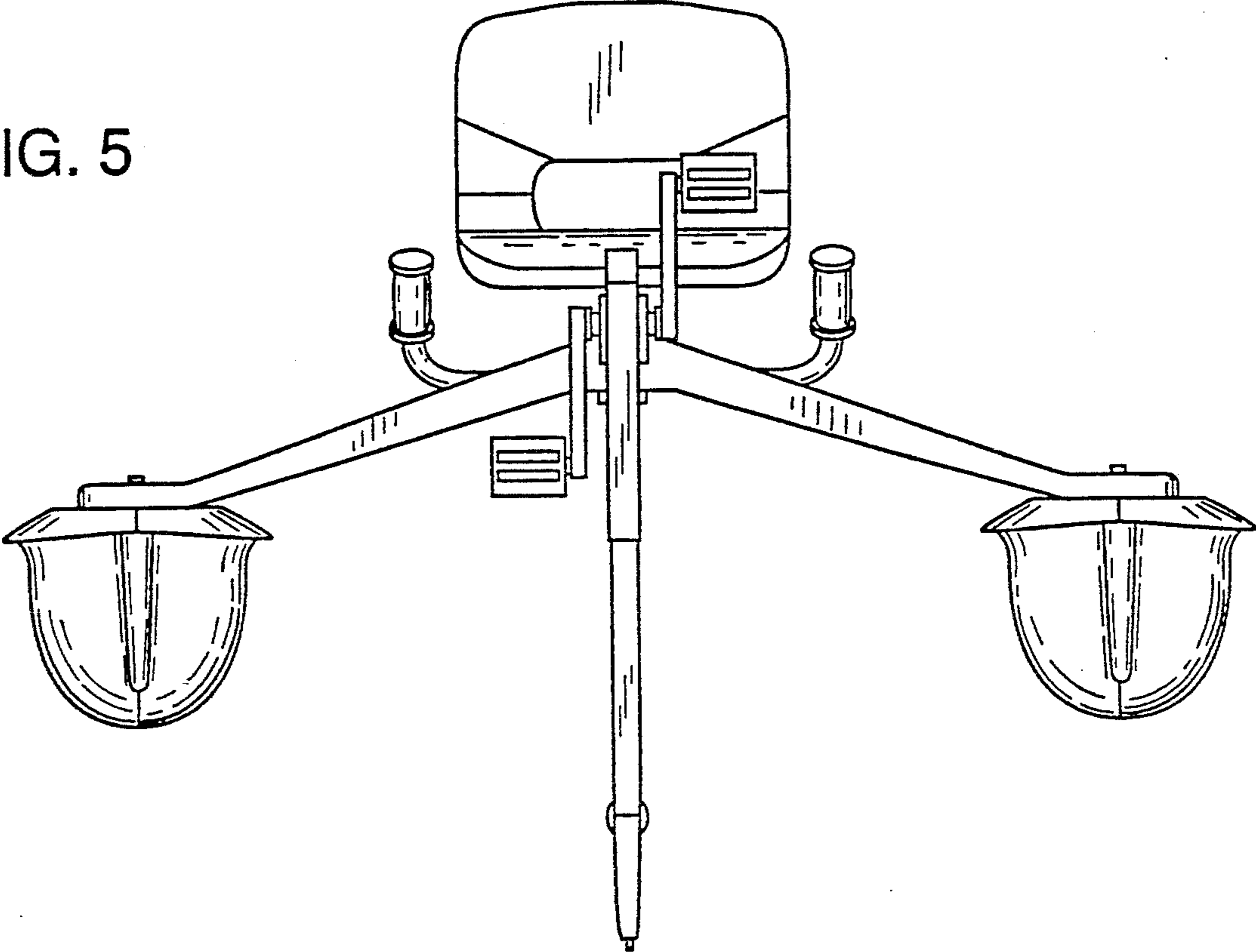
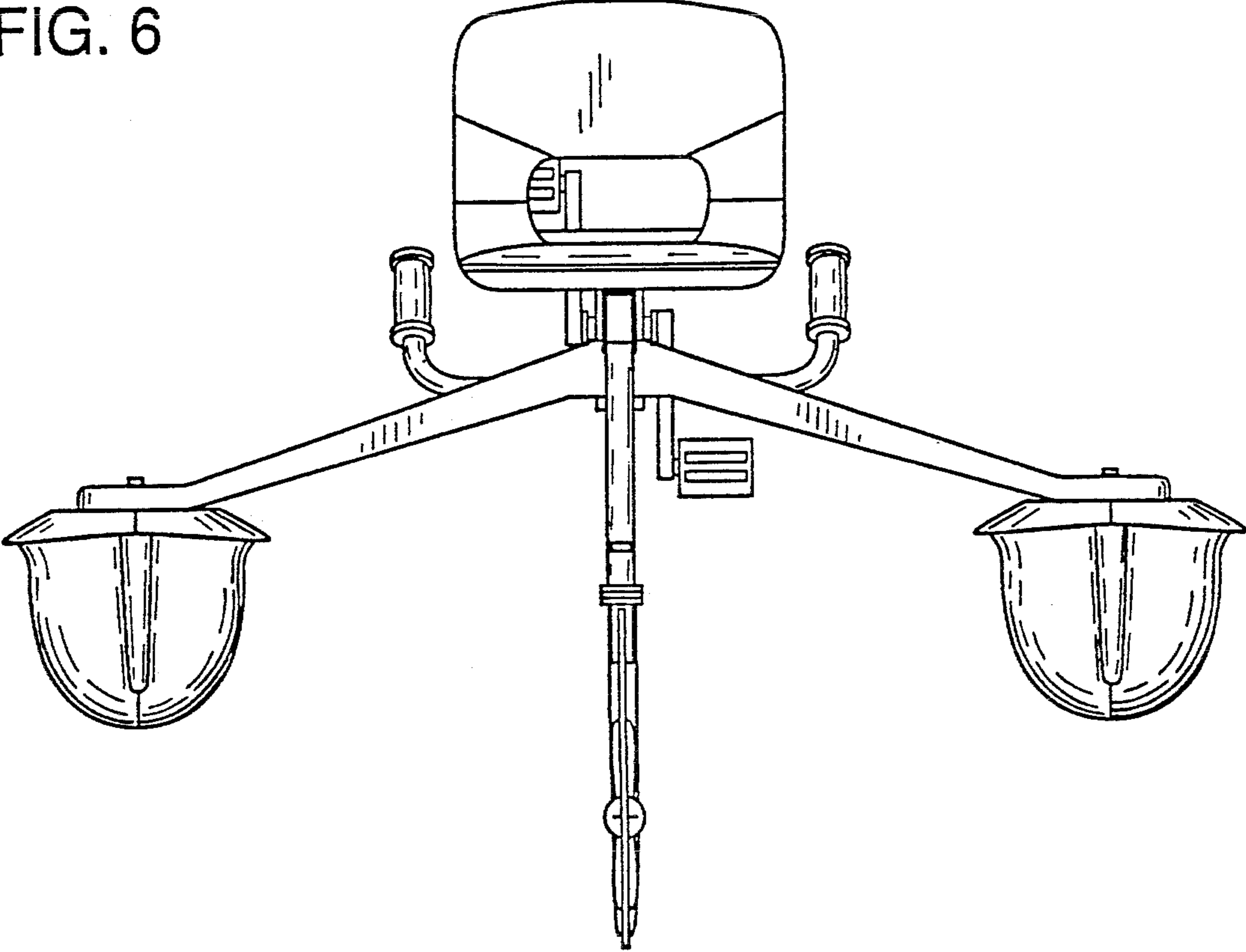


FIG. 6



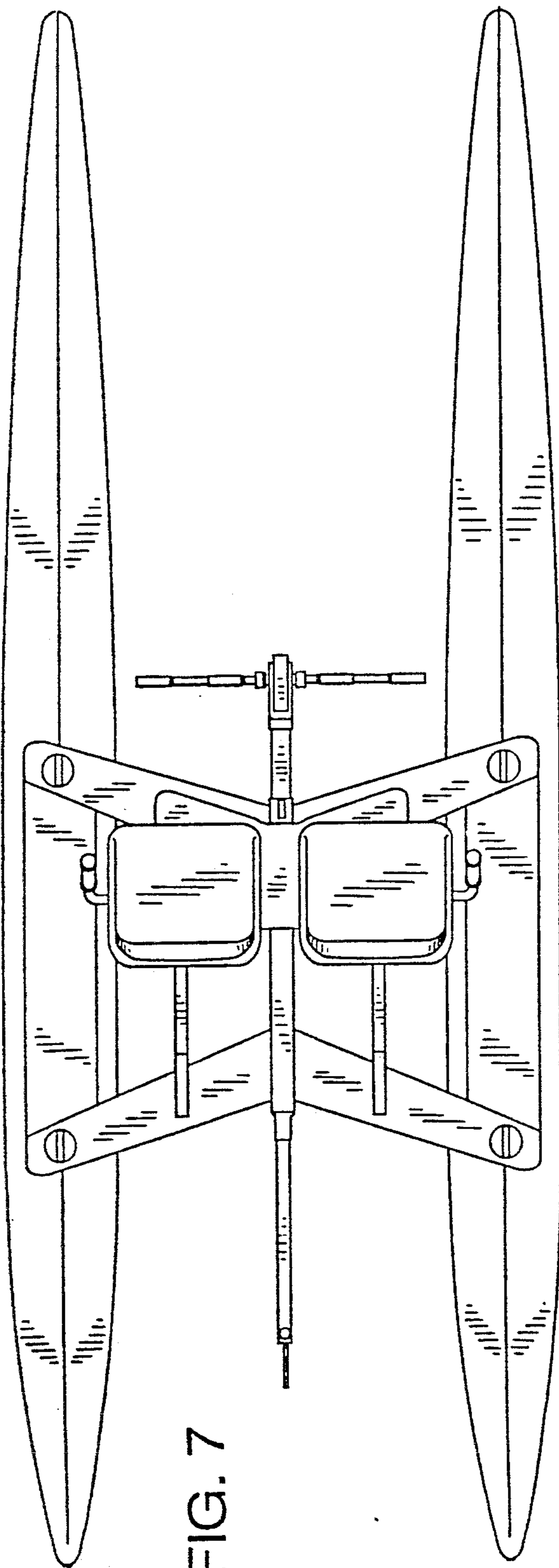


FIG. 7

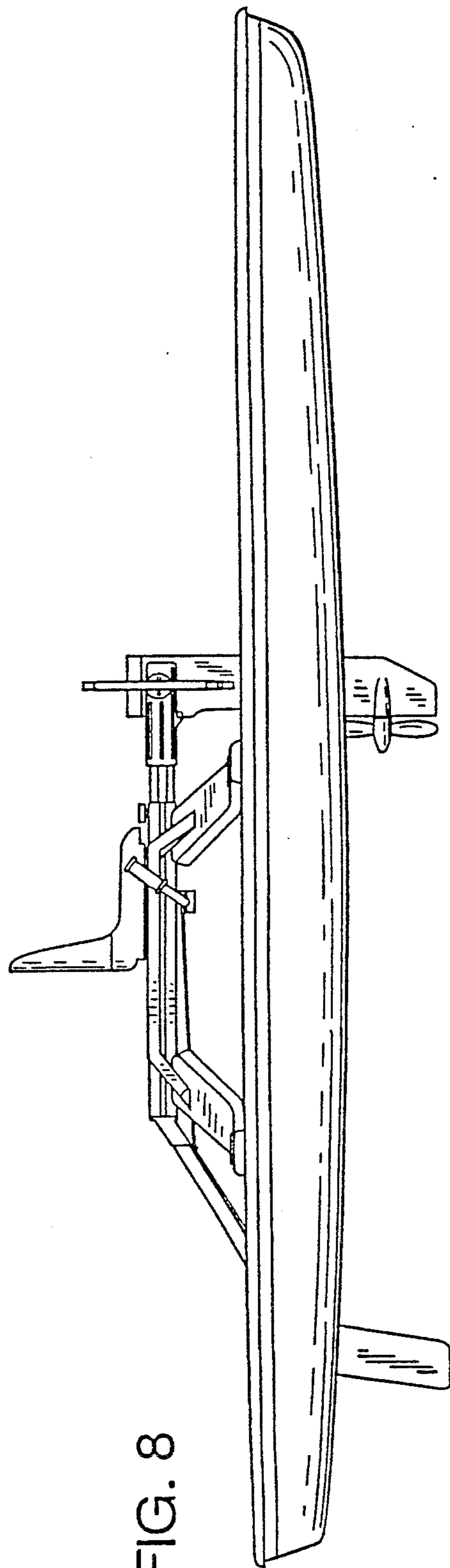


FIG. 8

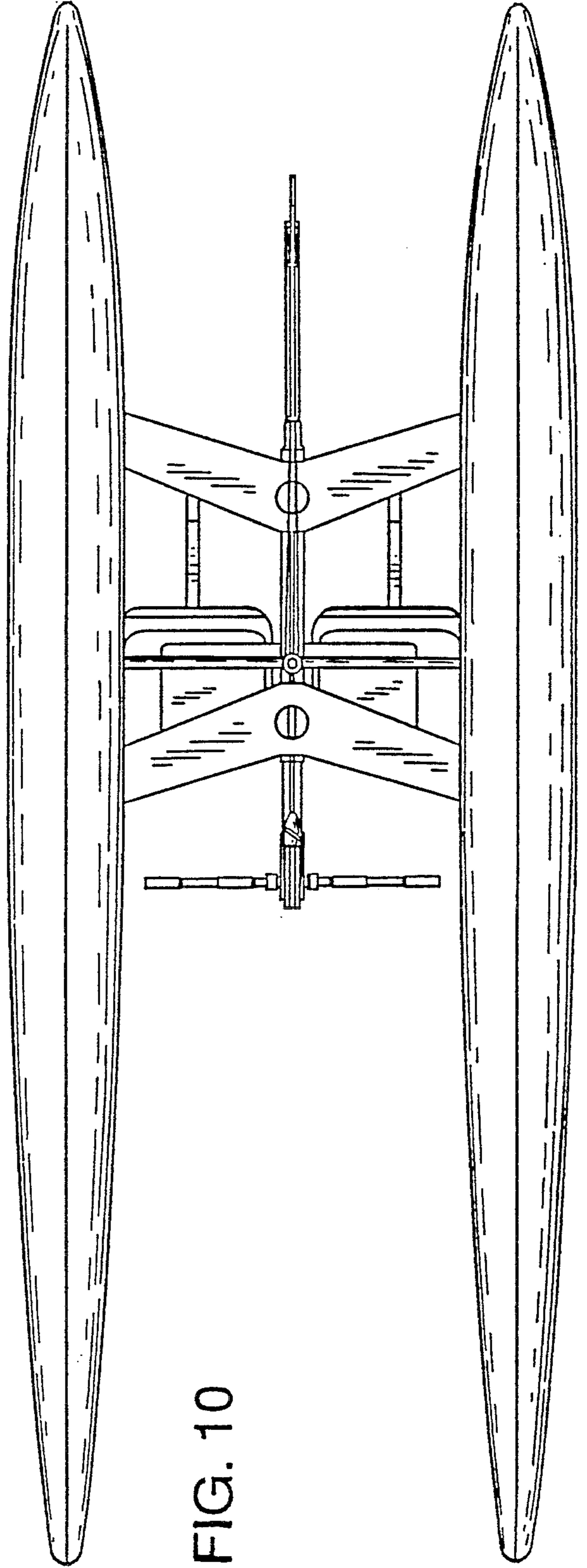
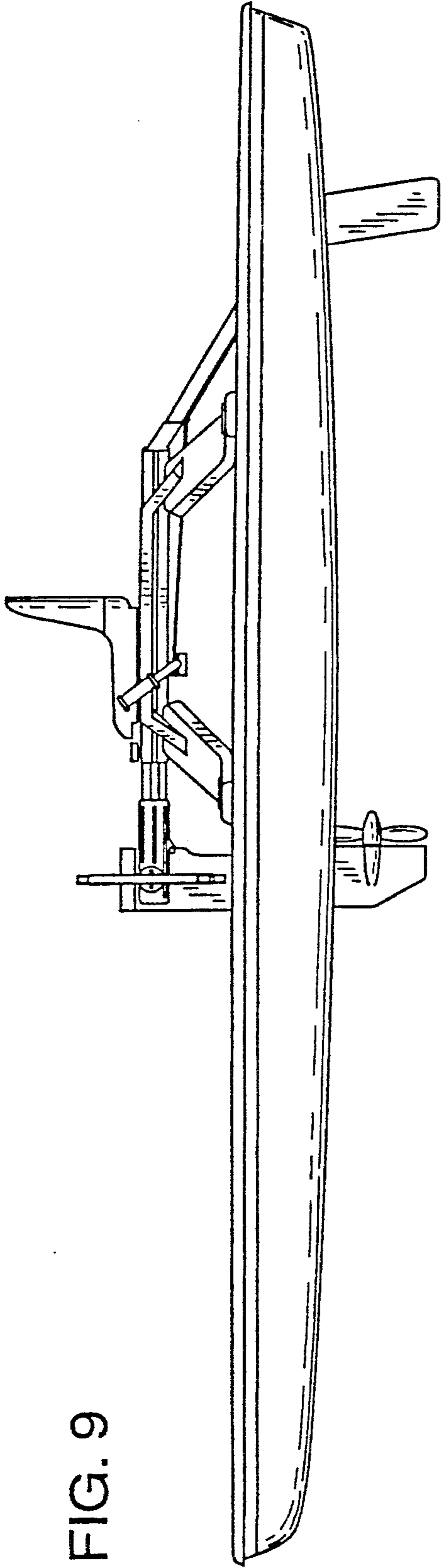


FIG. 11

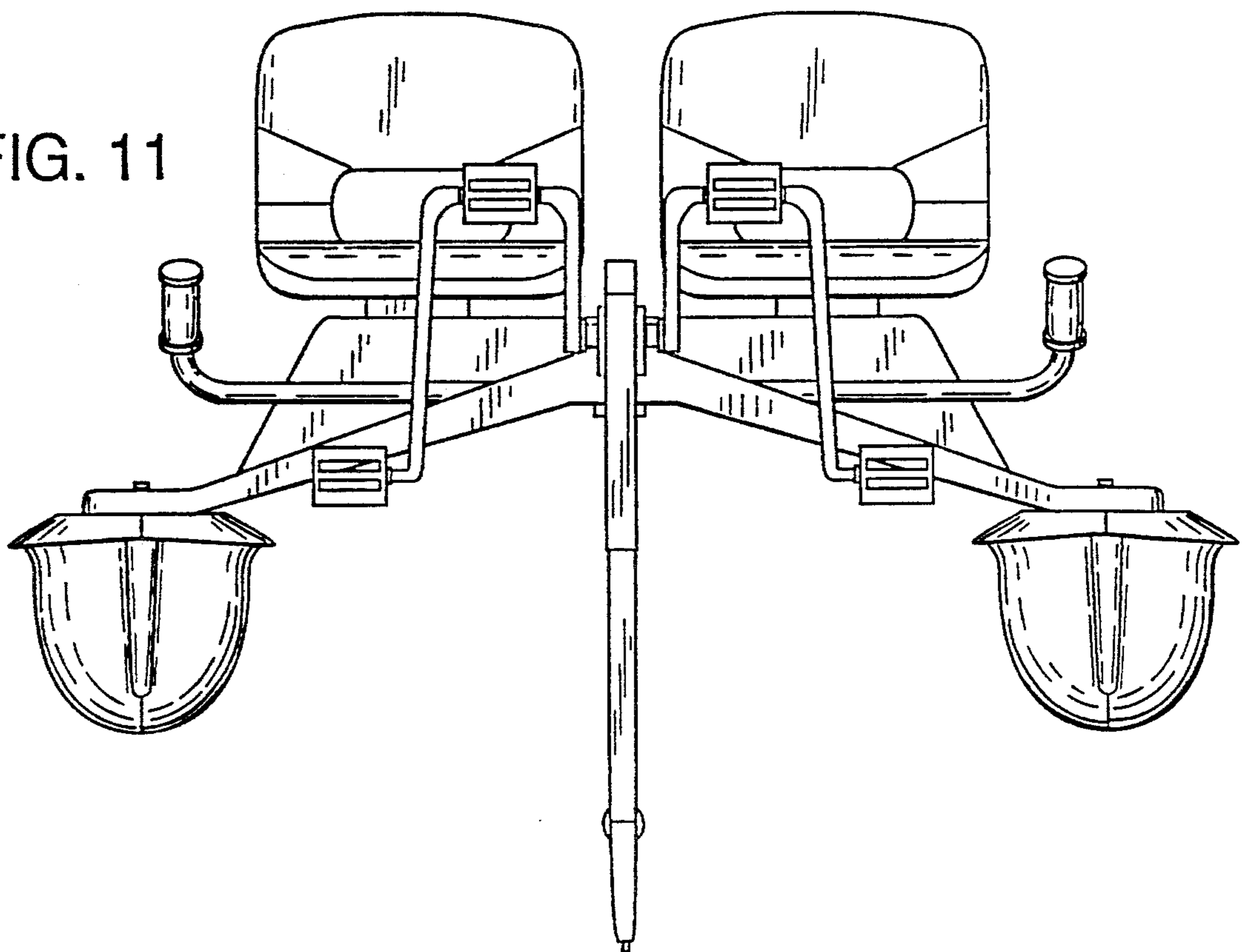


FIG. 12

