

United States Patent [19]

Louszko, Jr.

[11] Patent Number: **Des. 321,851**

[45] Date of Patent: **** Nov. 26, 1991**

[54] **MOTORIZED STROLLER**

[76] Inventor: **Arthur C. Louszko, Jr., 28-A
Abingdon Ave., Staten Island, N.Y.
10308**

[**] Term: **14 Years**

[21] Appl. No.: **380,255**

[22] Filed: **Jul. 17, 1989**

[52] U.S. Cl. **D12/129**

[58] Field of Search **D12/129, 128, 130;
280/642, 644, 650, 658, 647, 649; 297/45, 39**

[56] **References Cited**

U.S. PATENT DOCUMENTS

D. 86,043 1/1932 Montgomery D12/129
D. 212,325 10/1968 Korol D12/129
D. 271,868 12/1983 Voytko et al. D12/129

D. 293,776 1/1988 Maard D12/129
4,412,688 11/1983 Giordani 280/650

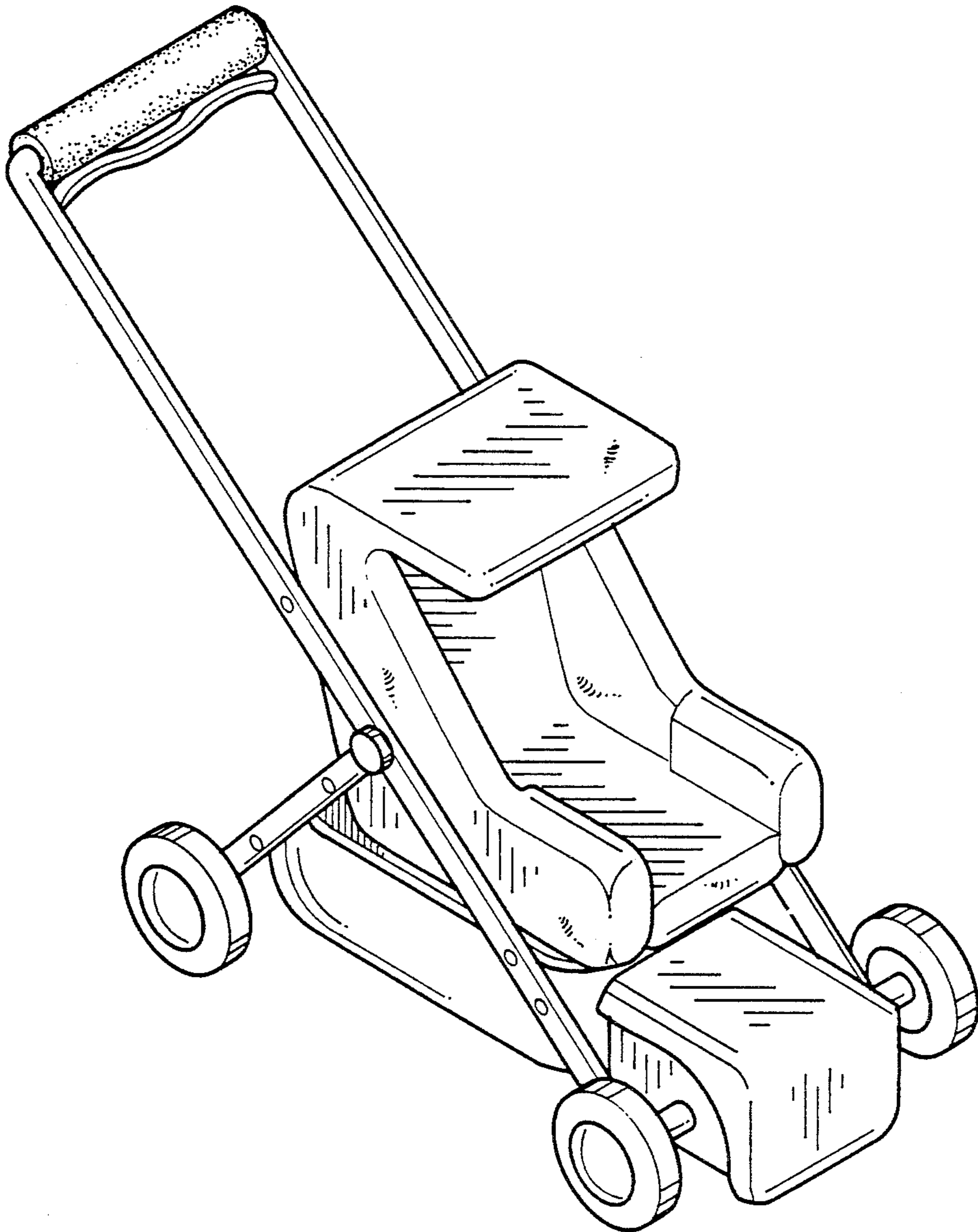
*Primary Examiner—Kay H. Chin
Attorney, Agent, or Firm—Leon Gildea*

[57] **CLAIM**

The ornamental design for a motorized stroller, as shown and described.

DESCRIPTION

FIG. 1 is a front elevational view of a motorized stroller showing my new design;
FIG. 2 is a rear elevational view thereof;
FIG. 3 is a left side elevational view thereof;
FIG. 4 is a right side elevational view thereof;
FIG. 5 is a top plan view thereof;
FIG. 6 is a bottom plan view thereof; and,
FIG. 7 is a perspective view thereof.



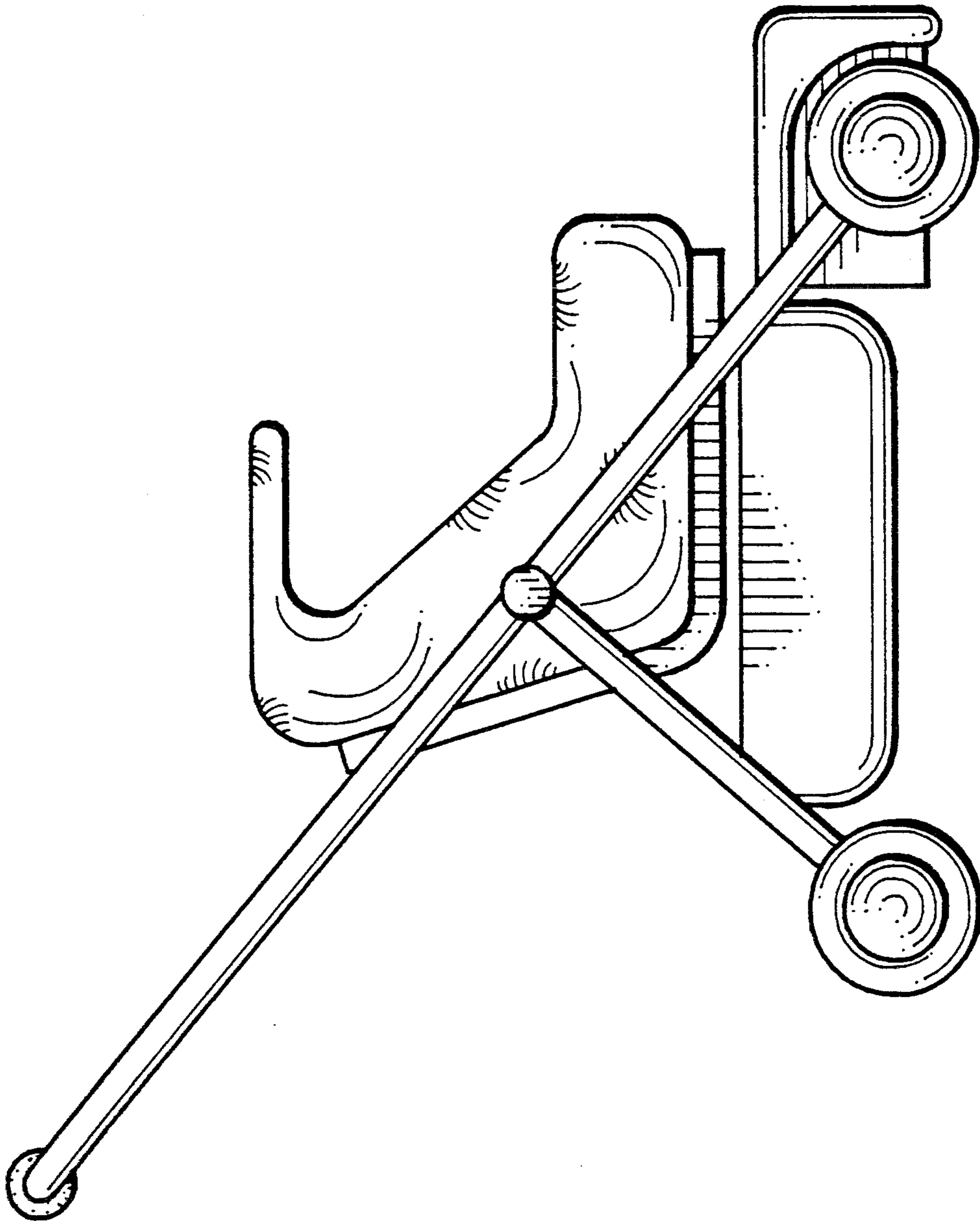


Fig. 1

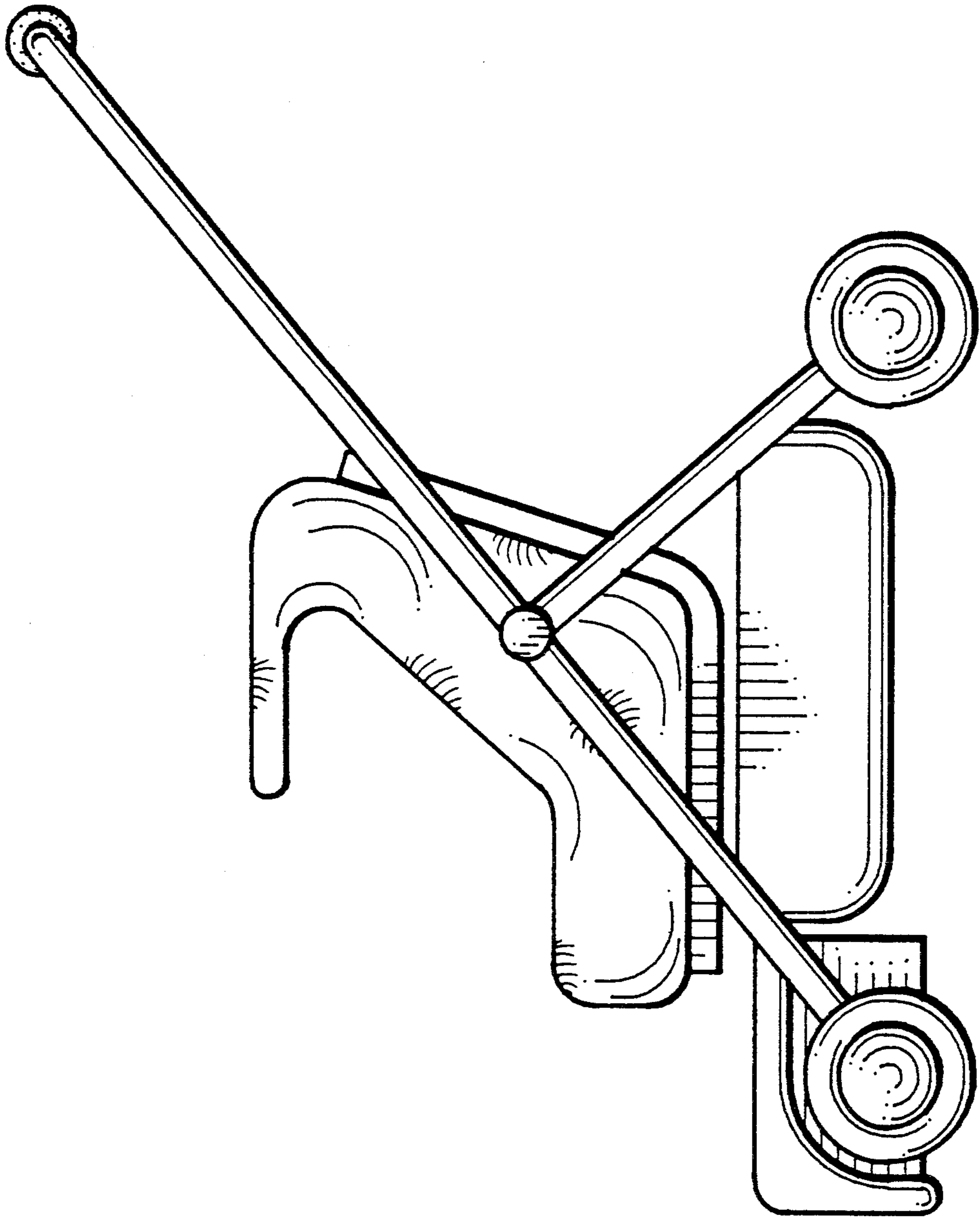


Fig. 2

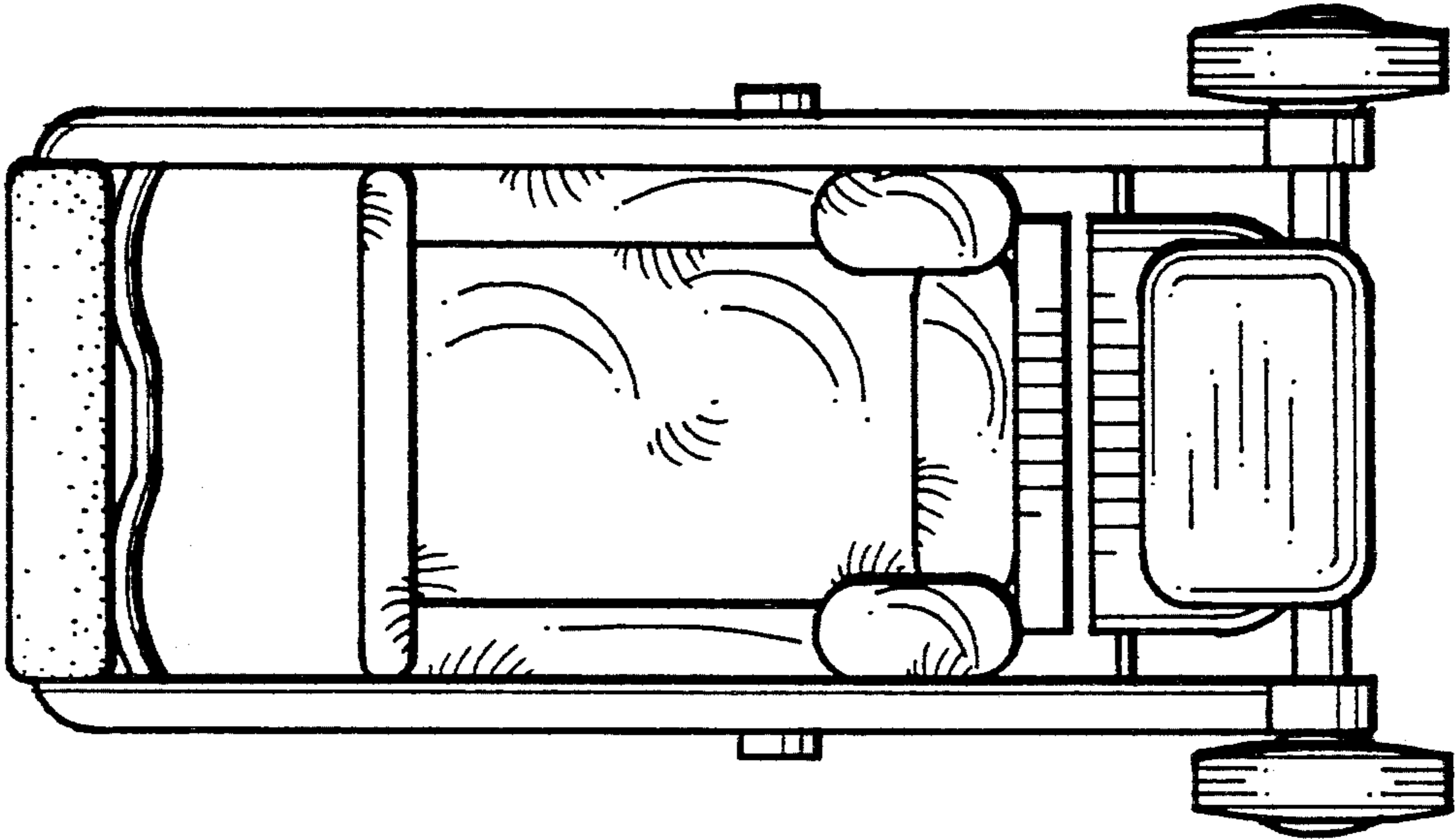


Fig. 4

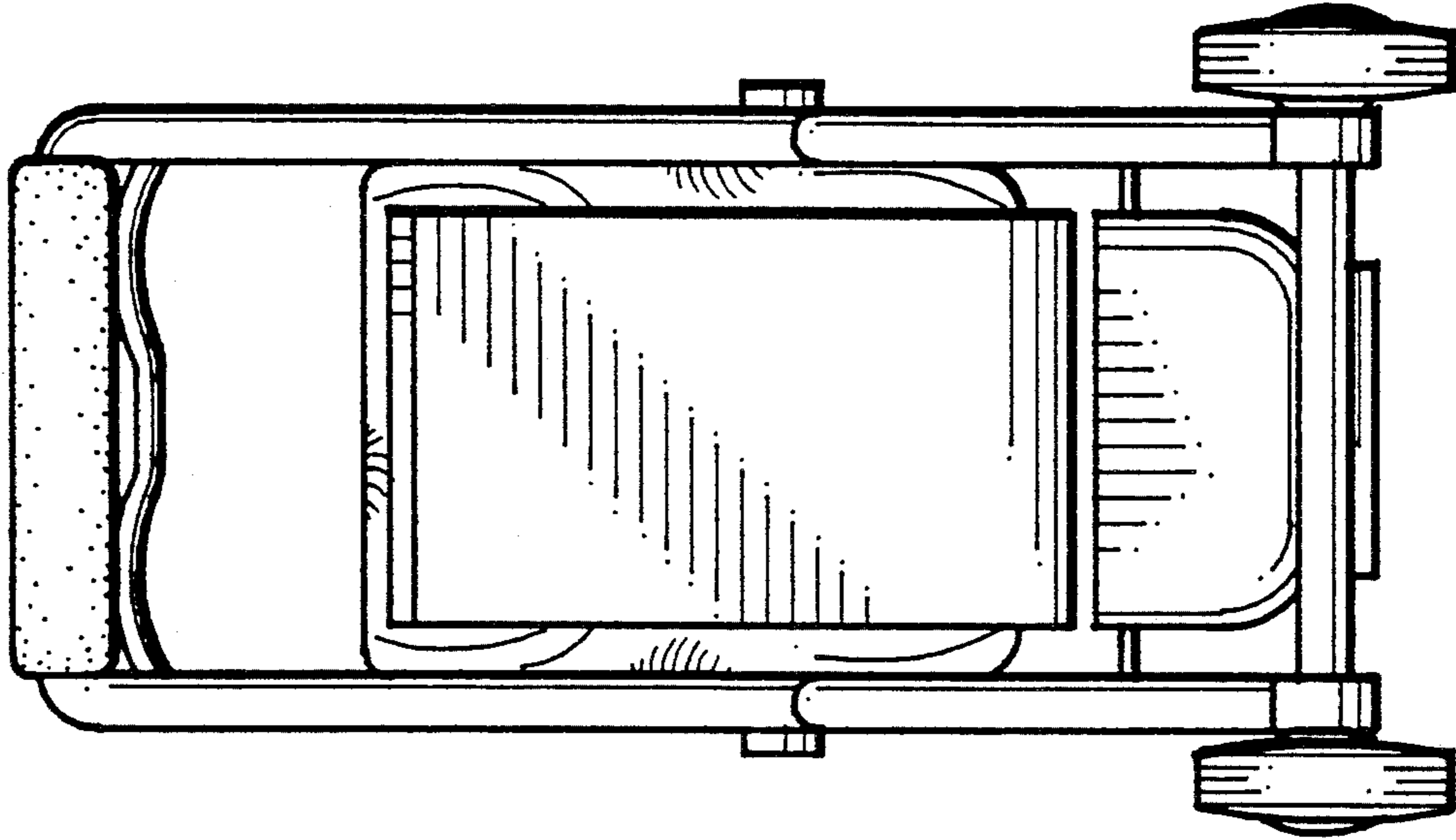


Fig. 3

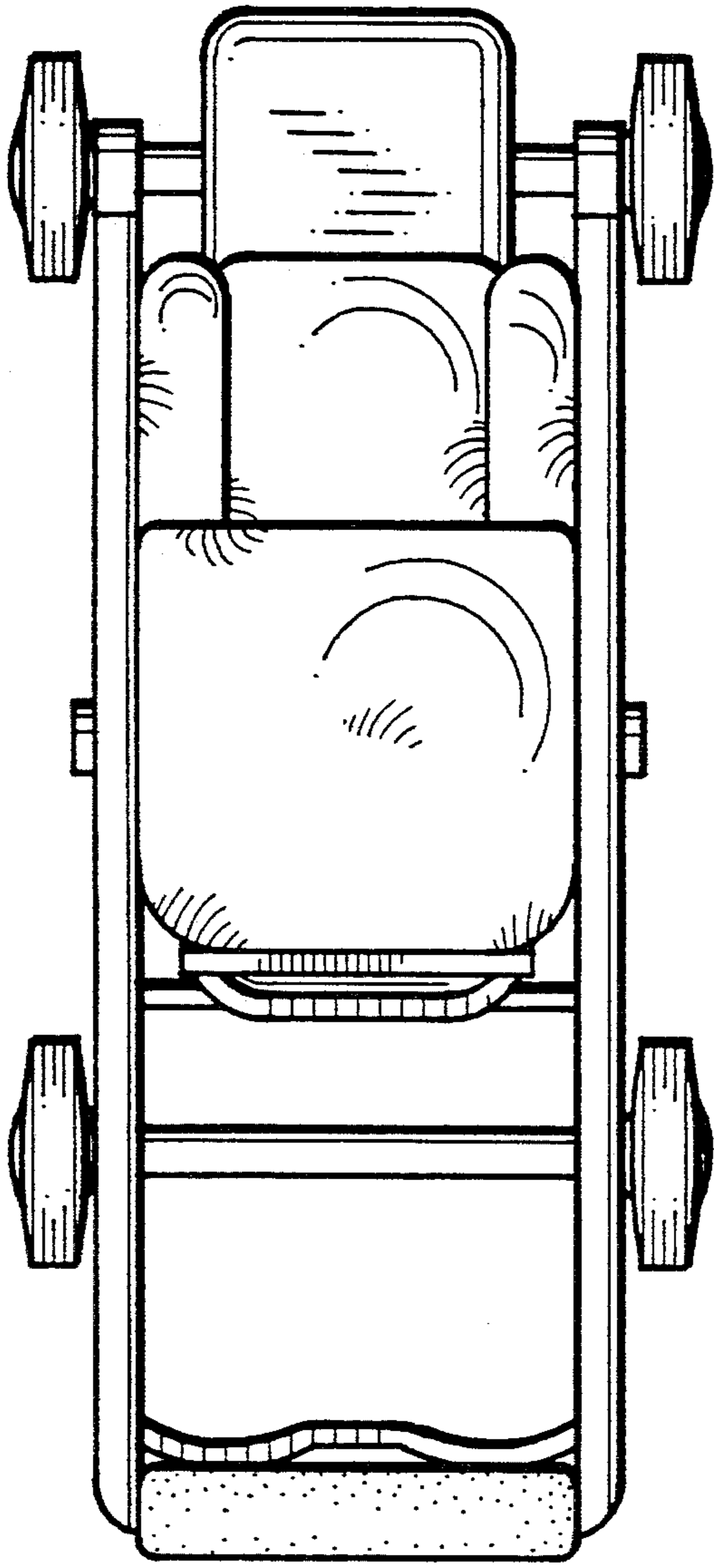


Fig. 5

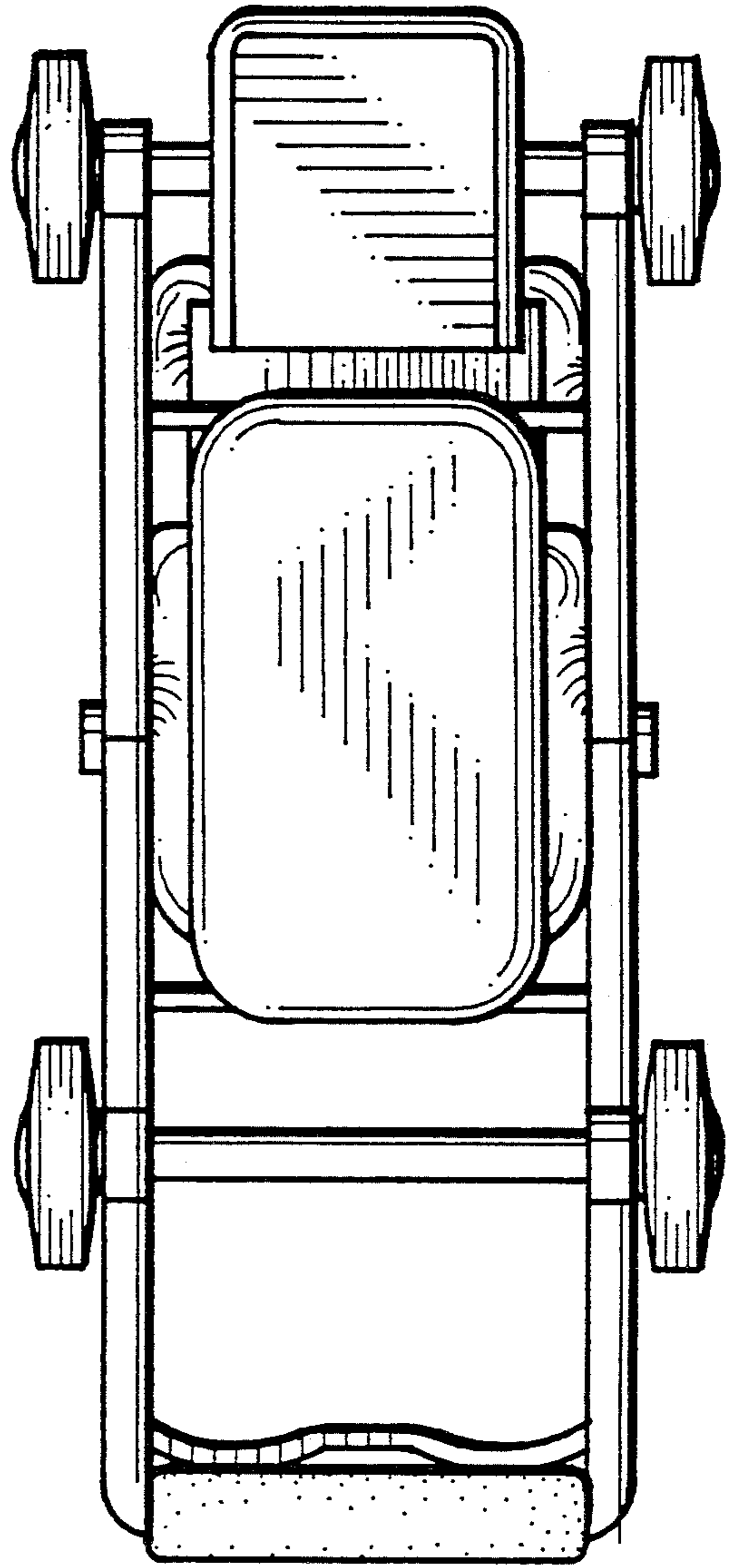


Fig. 6

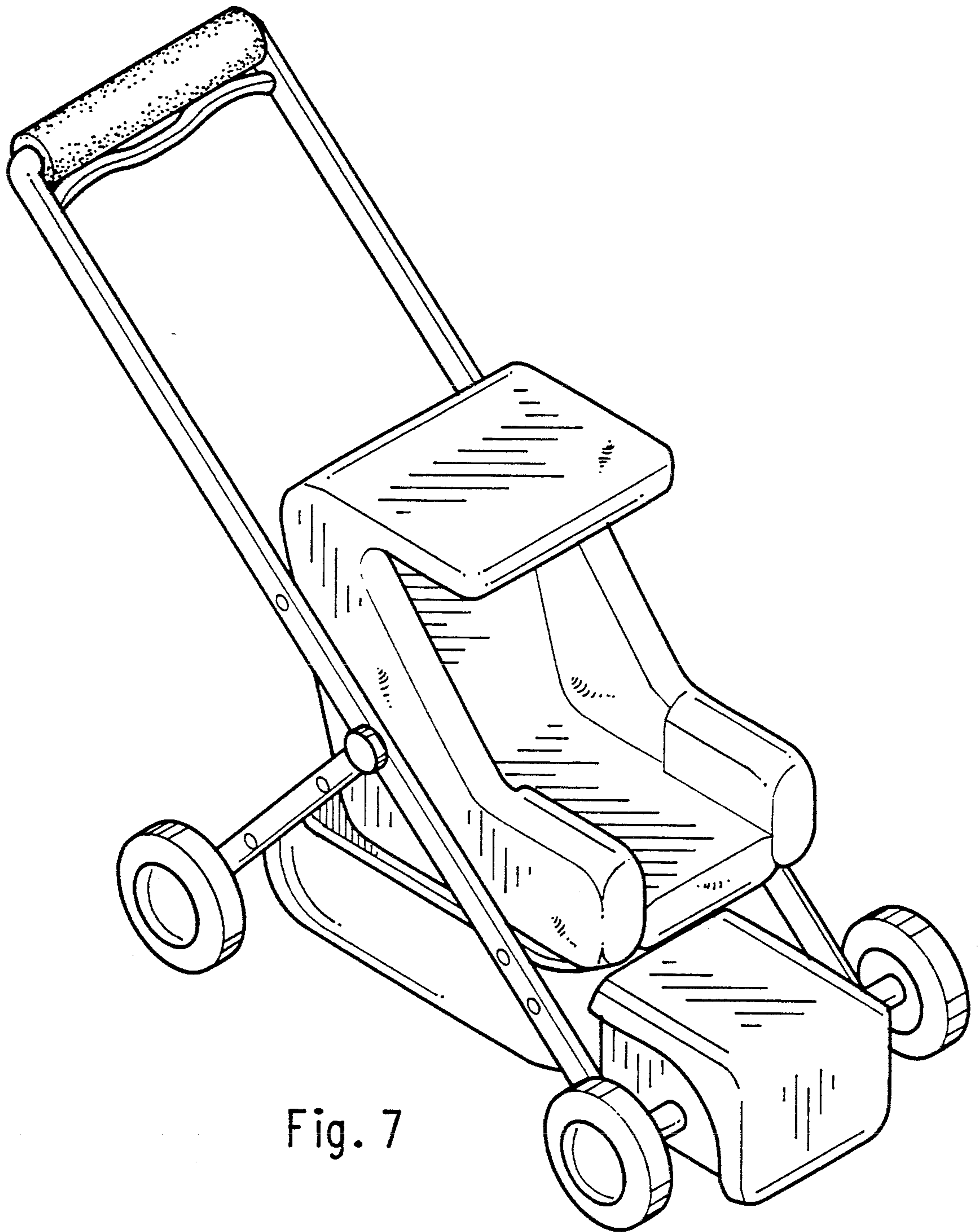


Fig. 7