

[54] TANDEM SEAT BABY STROLLER

[75] Inventor: Chai Mong-Hsing, Walnut, Calif.

[73] Assignee: Baby Trend, Inc., Pomona, Calif.

[**] Term: 14 Years

[21] Appl. No.: 330,883

[22] Filed: Mar. 31, 1989

[52] U.S. Cl. D12/129

[58] Field of Search D12/129, 128; 280/644, 280/642, 647, 658, 643, 680, 47, 38, 47.4; 297/DIG. 4, 45, 39

[56] . References Cited

U.S. PATENT DOCUMENTS

- D. 305,316 1/1990 Lin D12/129
- D. 311,363 10/1990 Lin D12/129

- 4,858,947 8/1989 Yee et al. 280/658
- 4,886,289 12/1989 Yee et al. 280/644

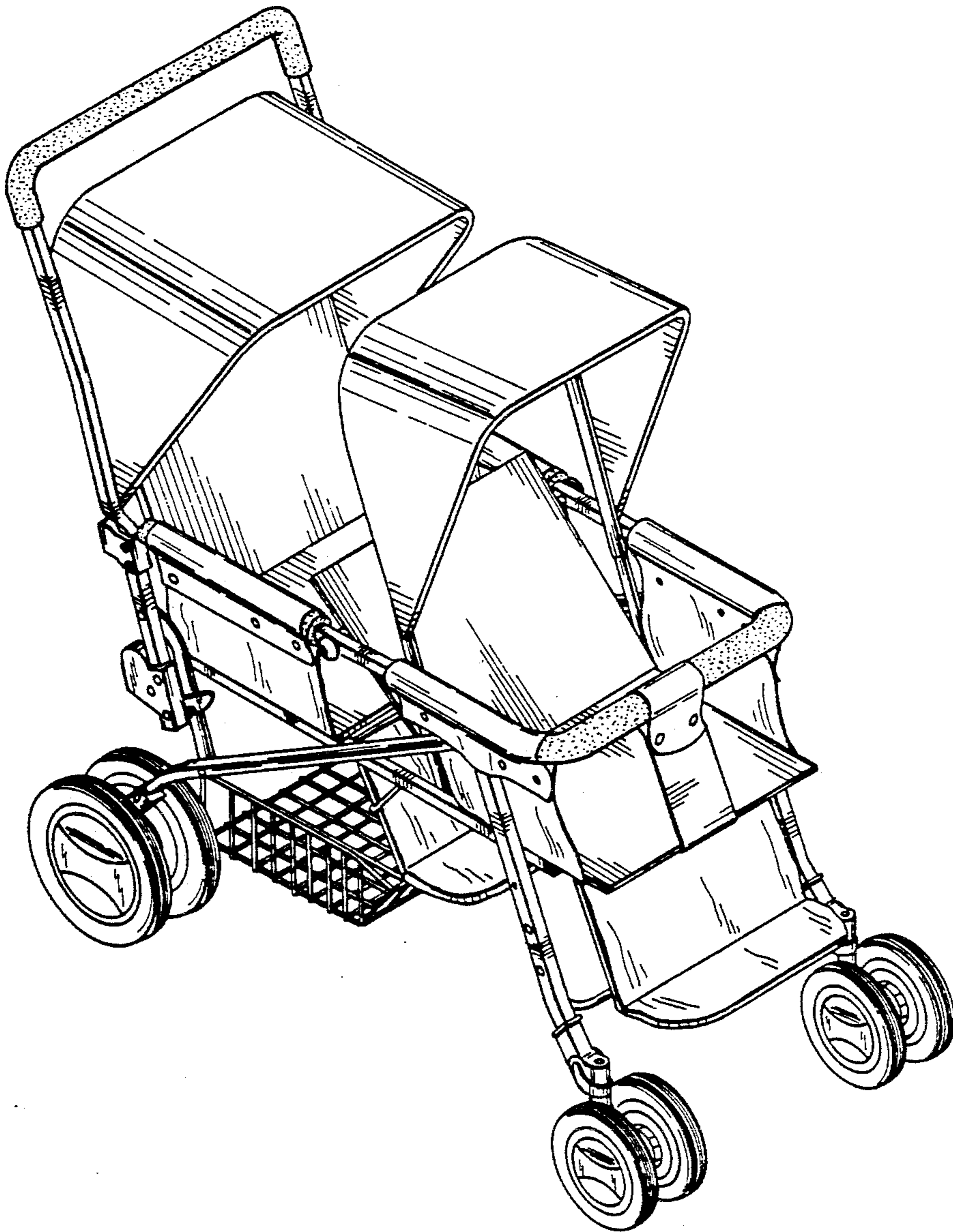
Primary Examiner—Kay H. Chin
Attorney, Agent, or Firm—Beehler & Pavitt

[57] CLAIM

The ornamental design for a tandem seat baby stroller, as shown and described.

DESCRIPTION

FIG. 1 is a right side elevational view of a tandem seat baby stroller showing my new design; FIG. 2 is a left side elevational view thereof; FIG. 3 is a front elevational view thereof; FIG. 4 is a rear elevational view thereof; FIG. 5 is a top plan view thereof; FIG. 6 is a bottom plan view thereof; and FIG. 7 is a perspective view thereof.



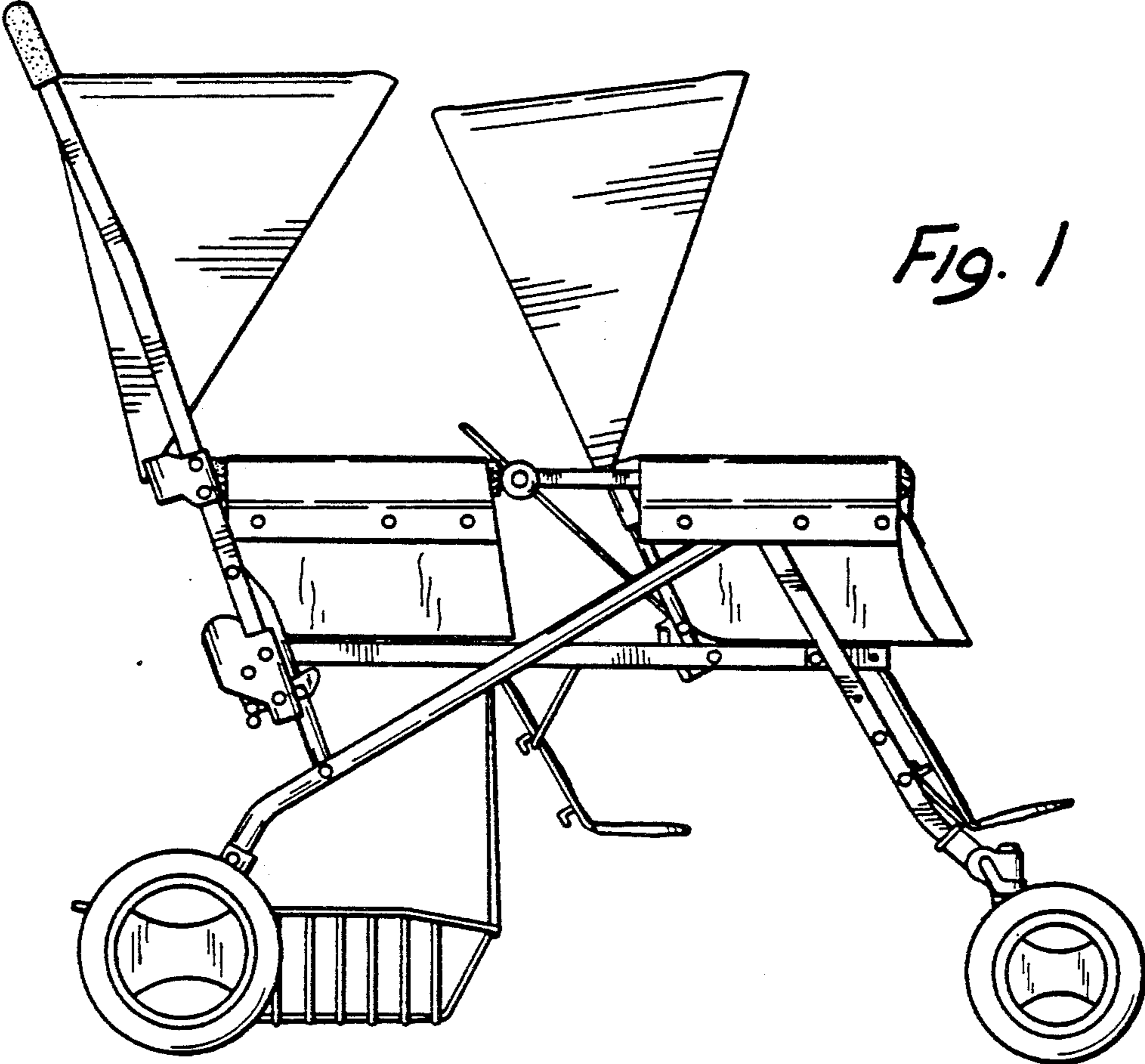


Fig. 1

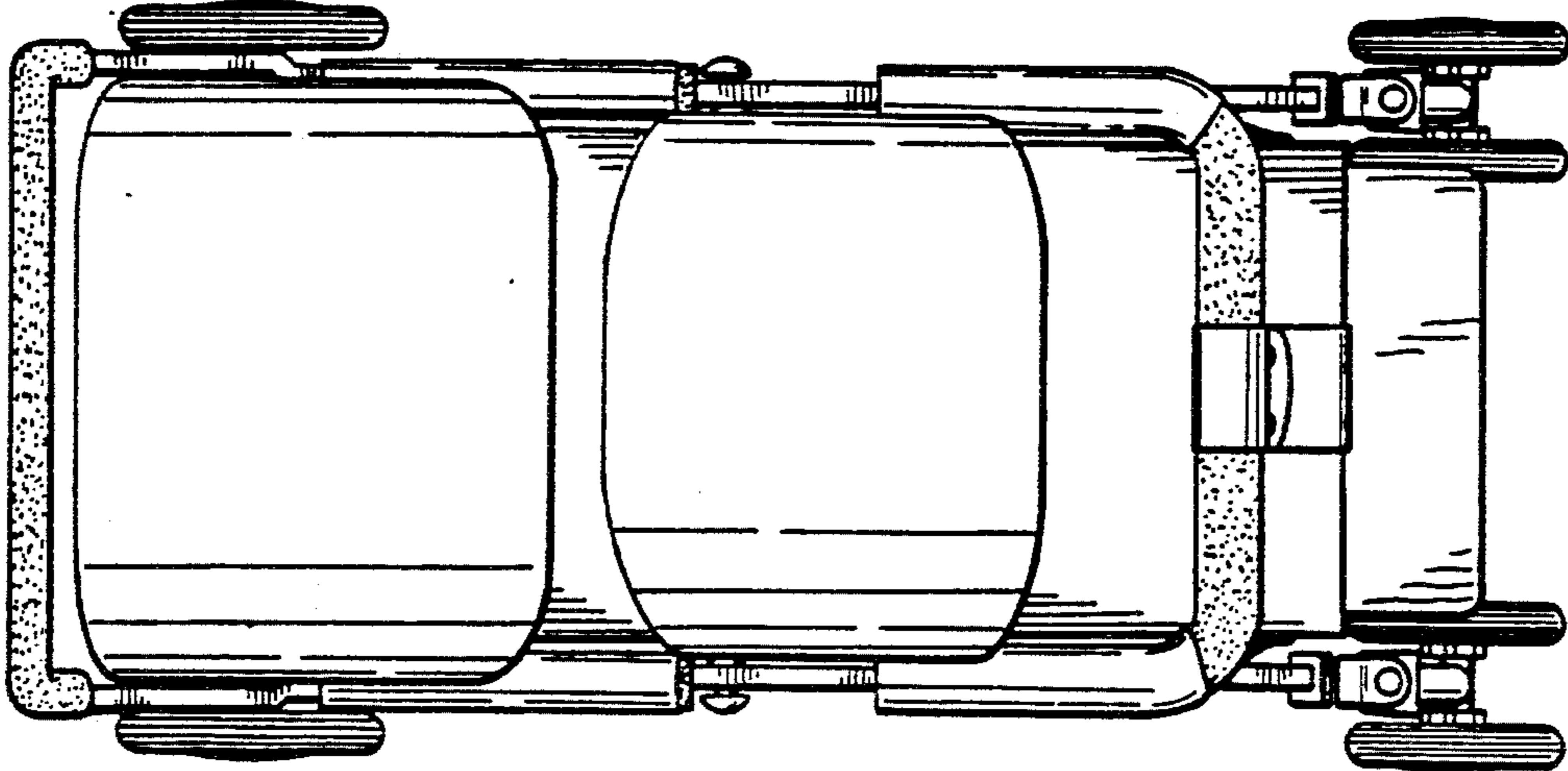


Fig. 5

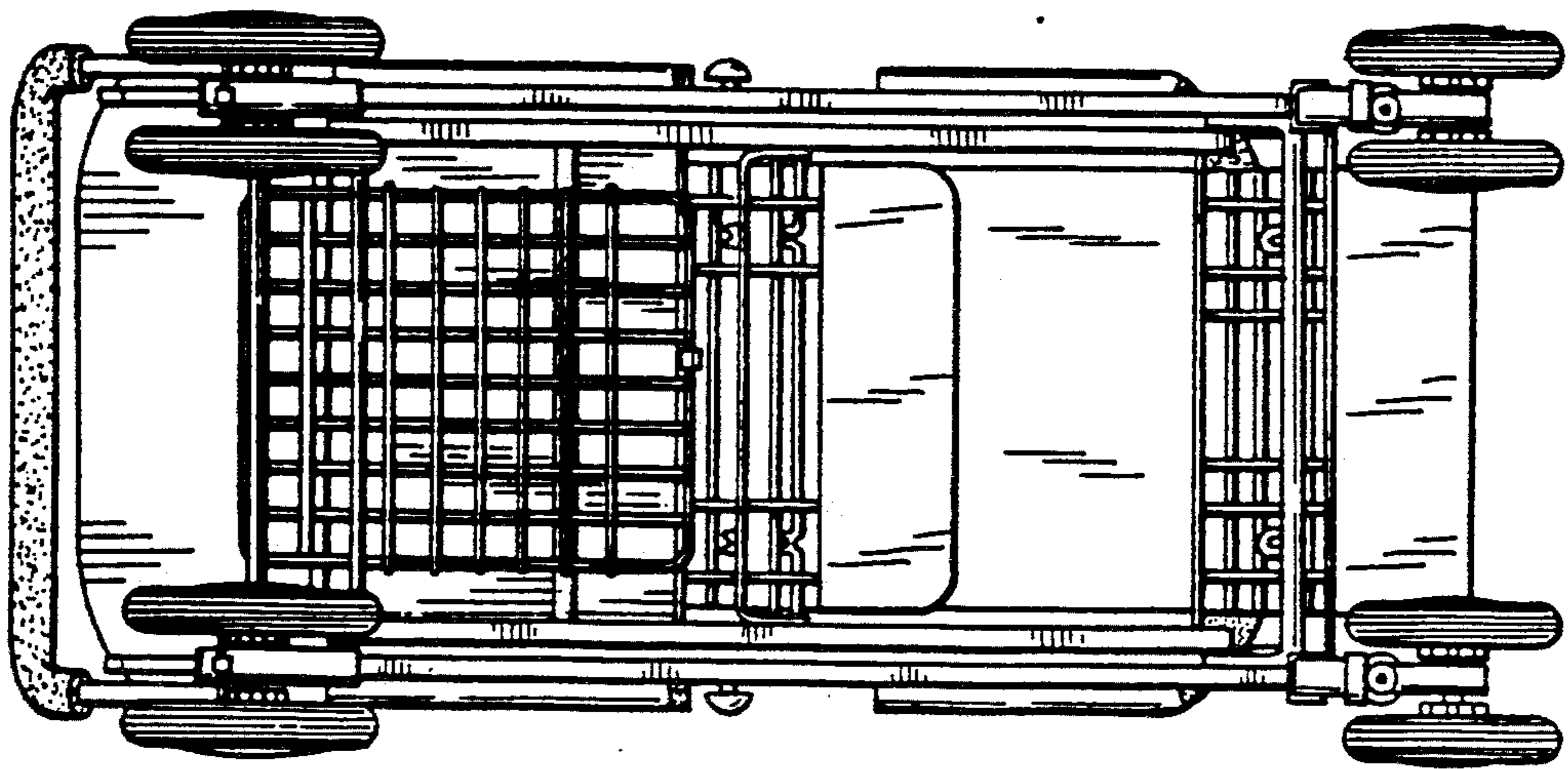
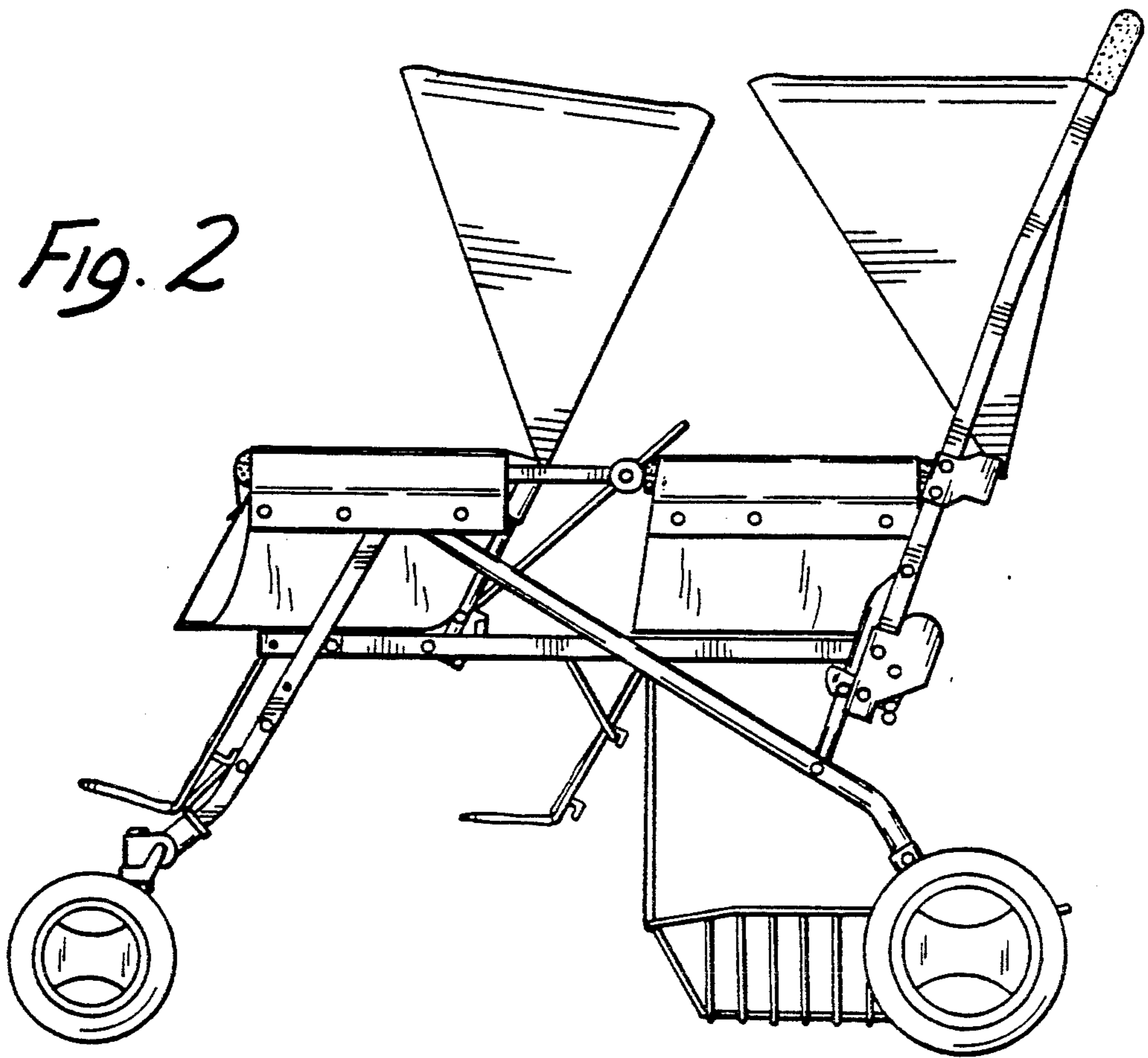


Fig. 6

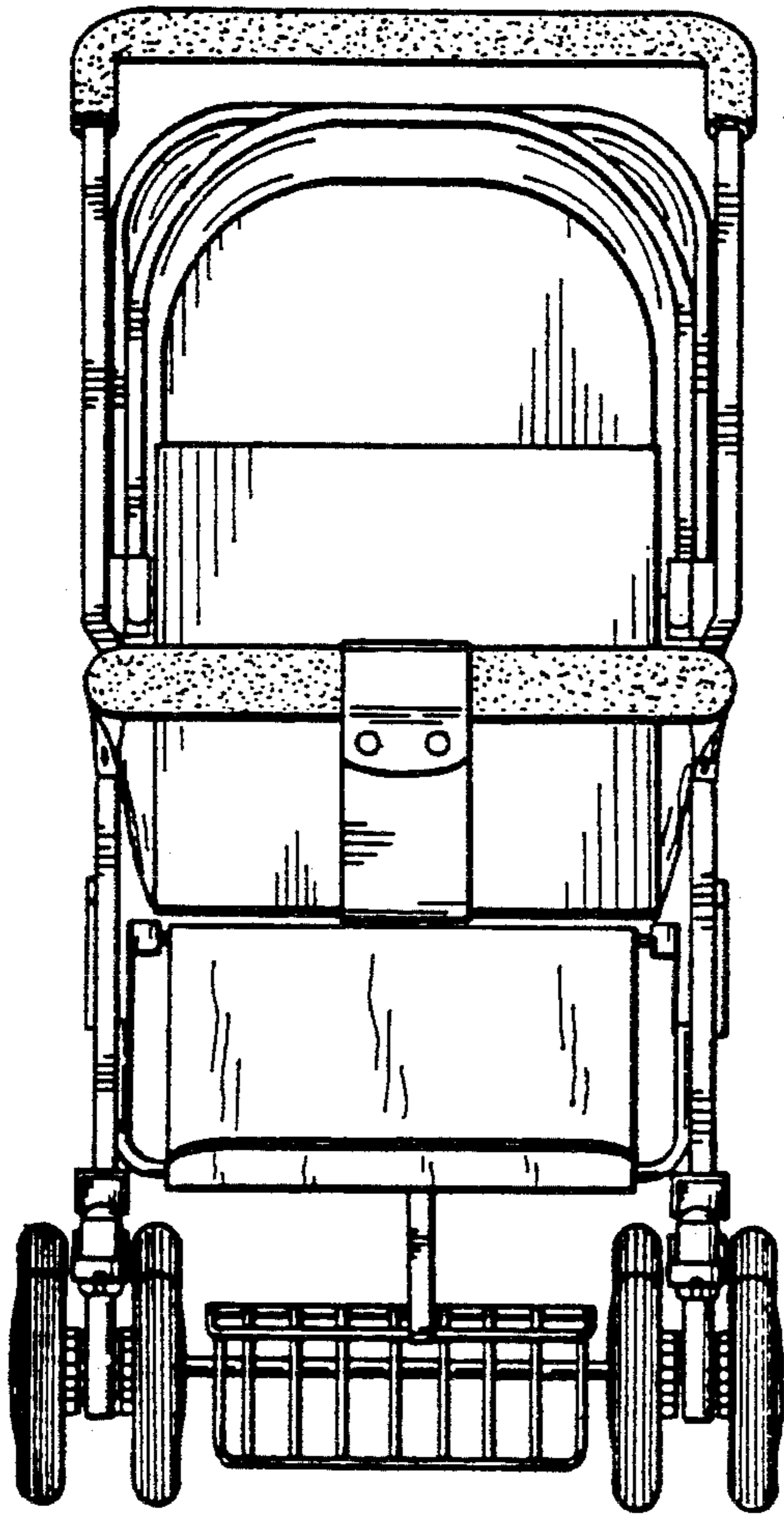


Fig. 3

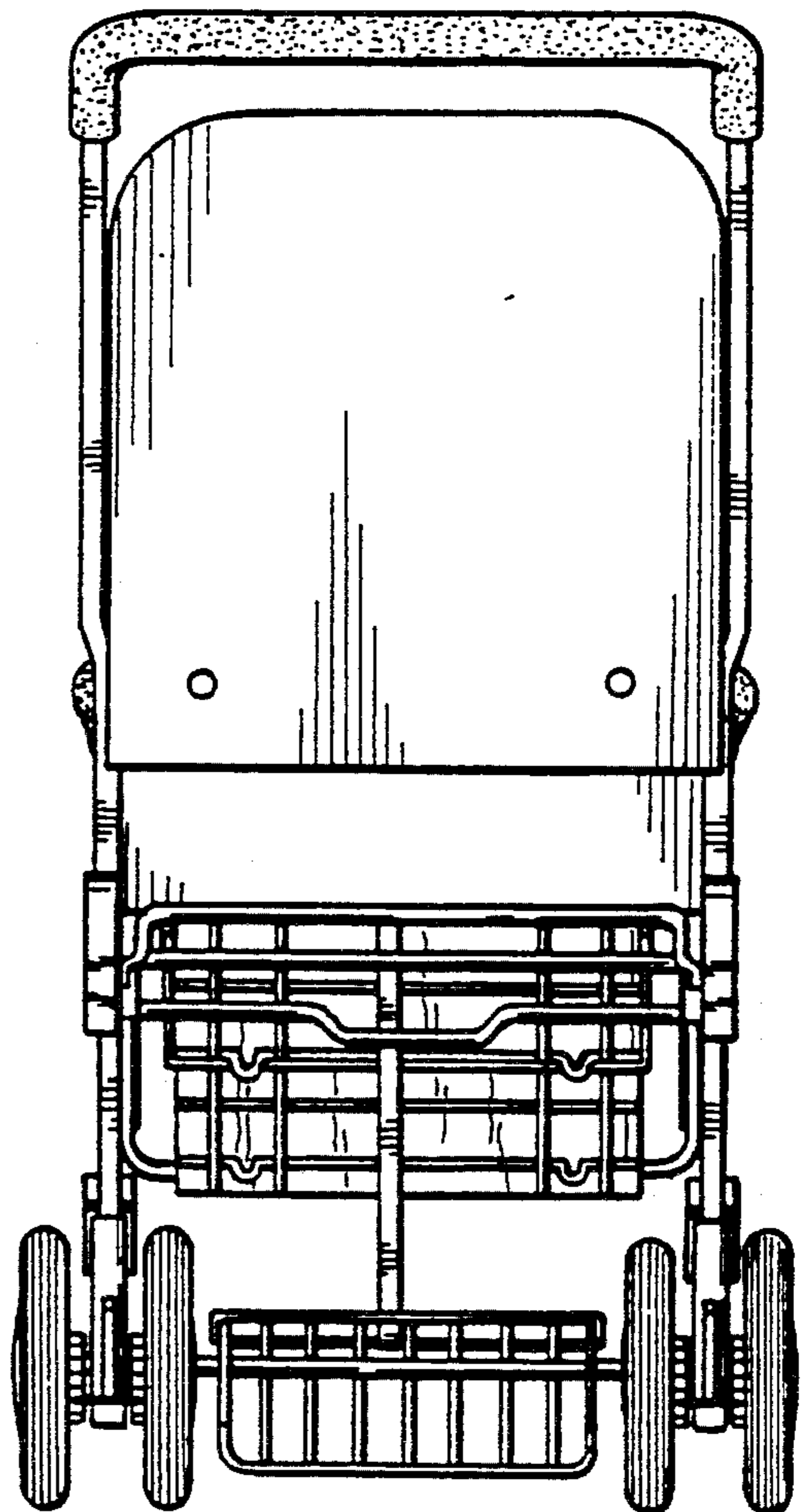


Fig. 4

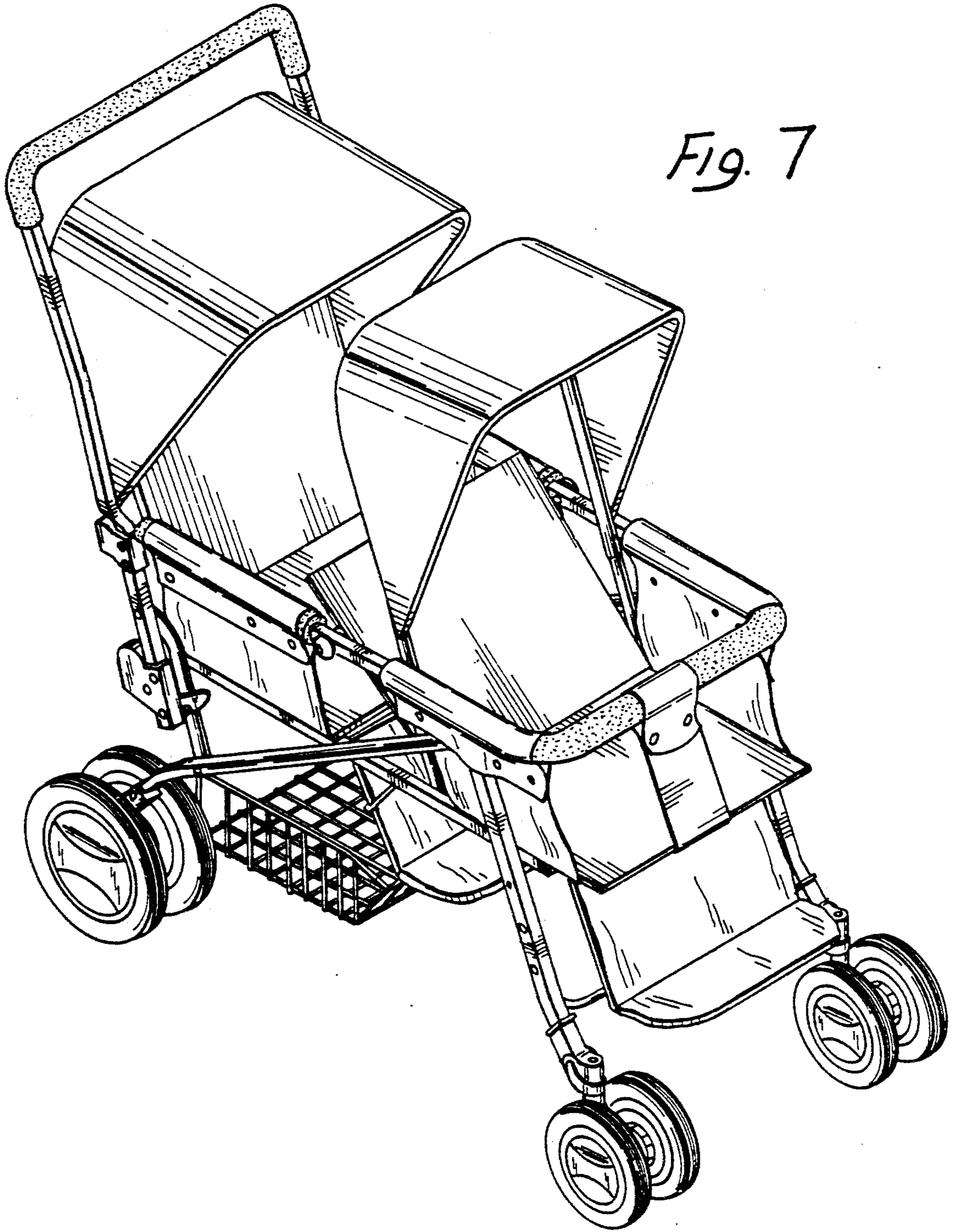


Fig. 7