

[54] SAILBOARD SPORTS FIGURE

[76] Inventor: Peter Nys, Watermolenstraat 20,
2958 Zemst, Belgium

[**] Term: 14 Years

[21] Appl. No.: 357,743

[22] Filed: May 26, 1989

[52] U.S. Cl. D11/163; D11/131;
D11/157

[58] Field of Search D11/131, 157, 162;
D19/96, 97; D12/300, 303, 305, 199, 197;
441/65; 248/518, 519

[56] References Cited

U.S. PATENT DOCUMENTS

D. 59,656 11/1921 Hudson D19/96
D. 316,395 4/1991 Yamada et al. D12/303

OTHER PUBLICATIONS

Dan Kain Trophies Inc., Catalog; 1987; p. 22; #M Trophy (bottom, 3rd from left).
Wallace Trophy Catalog, 1930; p. 26; #V559, Trophy.
Windsurfing by Mail Catalog; 1985; p. 4; Sailboard.
The Autocar; Jul. 20, 1923; p. 21, Monoplane Hood Ornament.

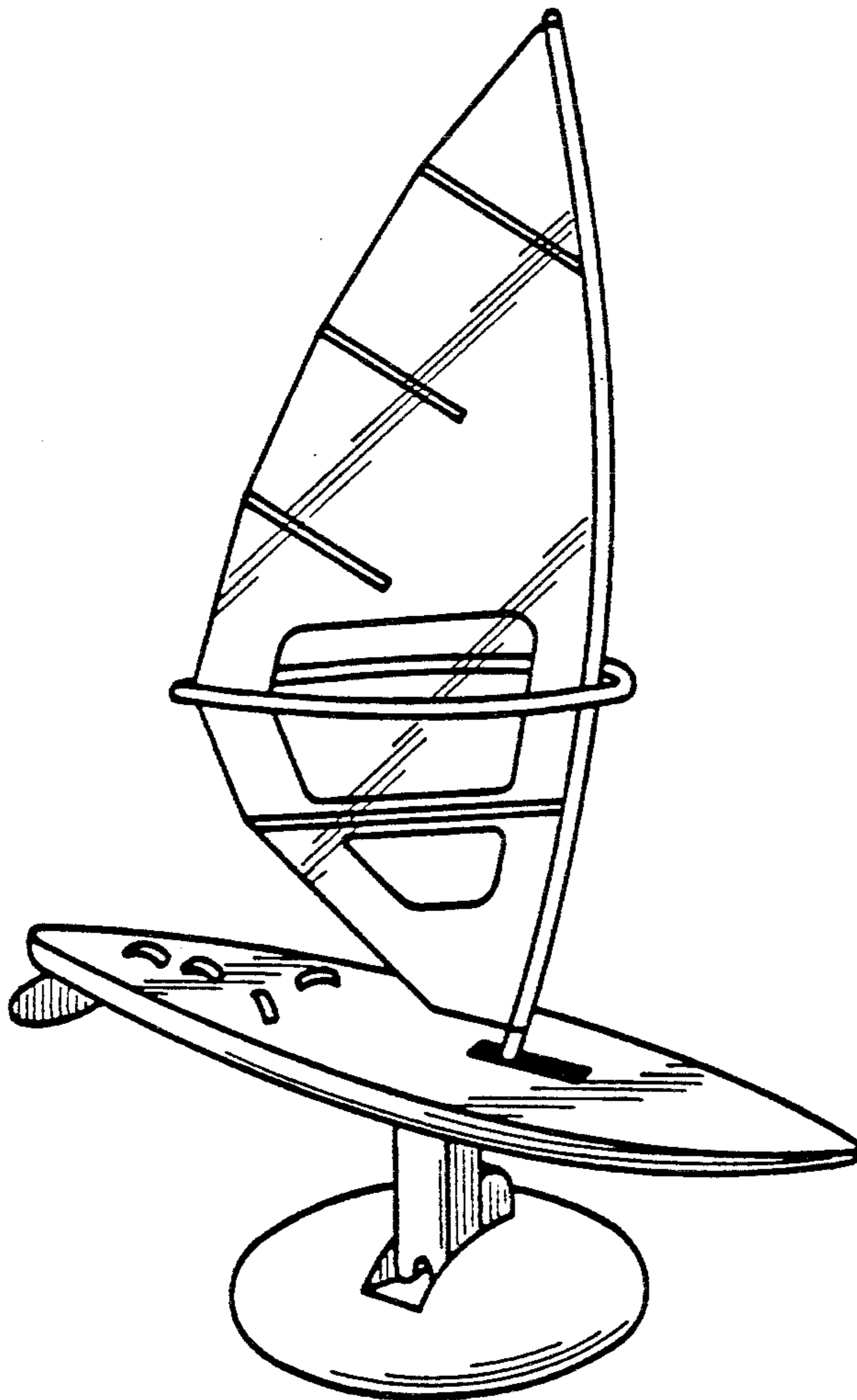
Primary Examiner—Bernard Ansher
Assistant Examiner—Dominic Simone
Attorney, Agent, or Firm—Foley & Lardner

[57] CLAIM

The ornamental design for a sailboard sports figure, as shown and described.

DESCRIPTION

FIG. 1 is a front perspective view of a sailboard sports figure, showing my new design;
FIG. 2 is a front elevational view thereof;
FIG. 3 is a left side elevational view thereof;
FIG. 4 is a right side elevational view thereof;
FIG. 5 is a rear elevational view thereof;
FIG. 6 is a top plan view thereof; and
FIG. 7 is a bottom plan view thereof.



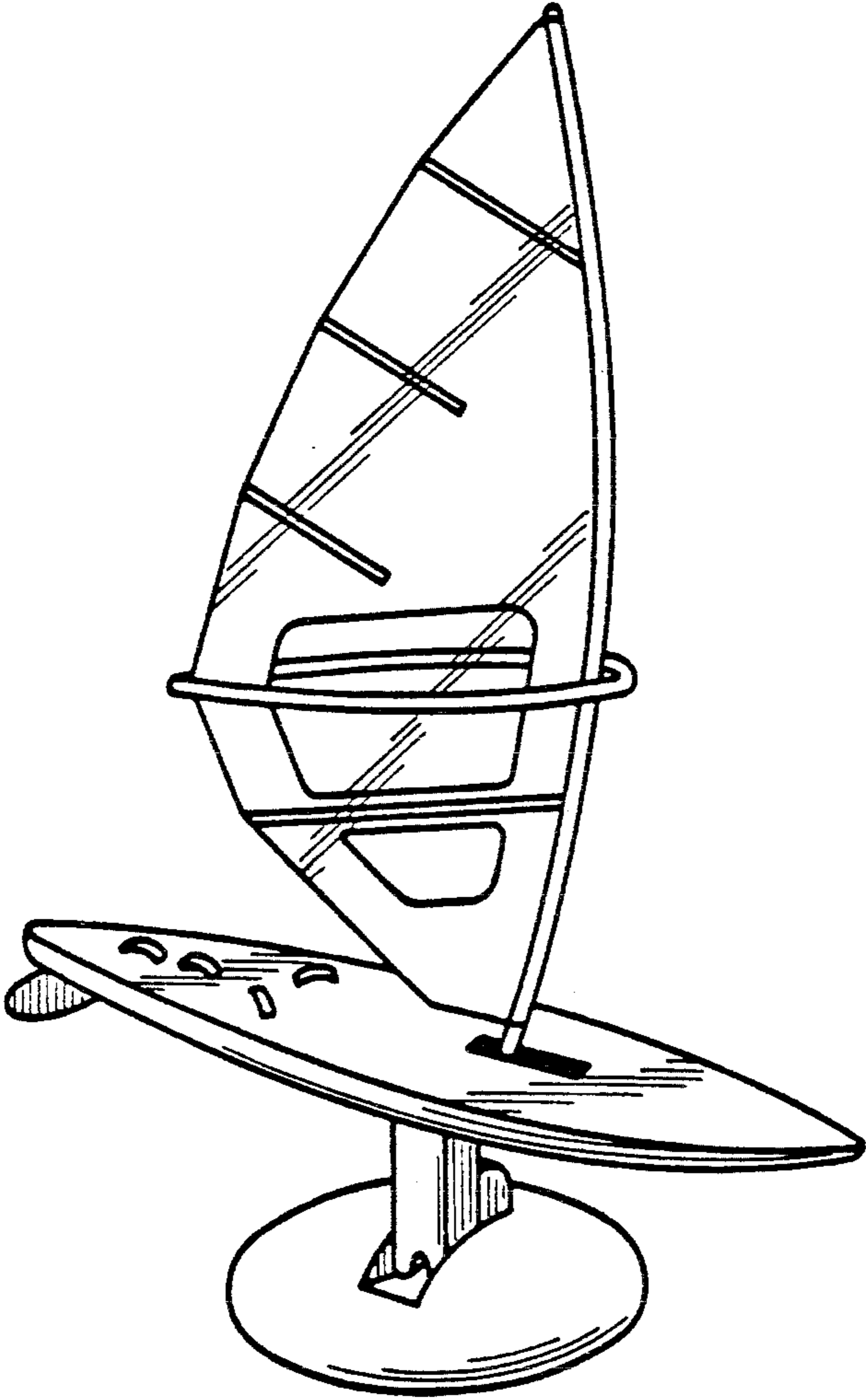


Fig. 1

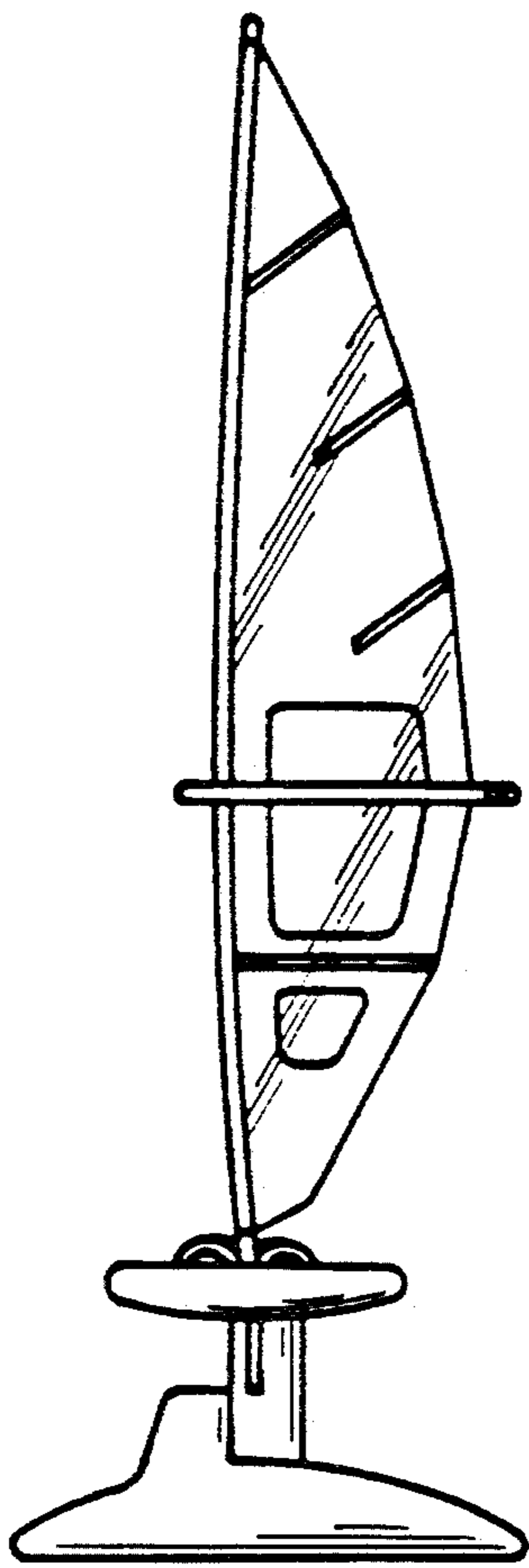


Fig. 4

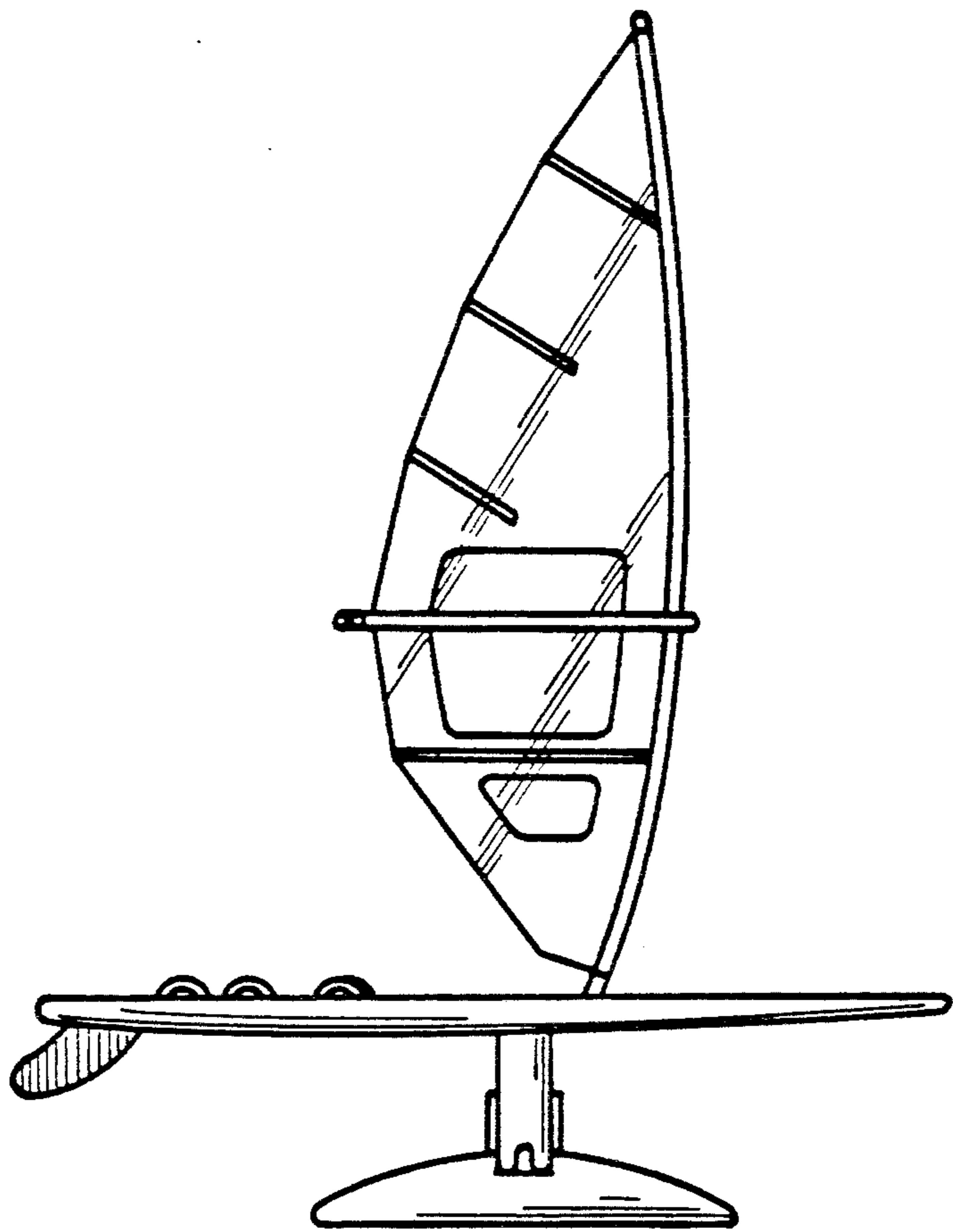


Fig. 5

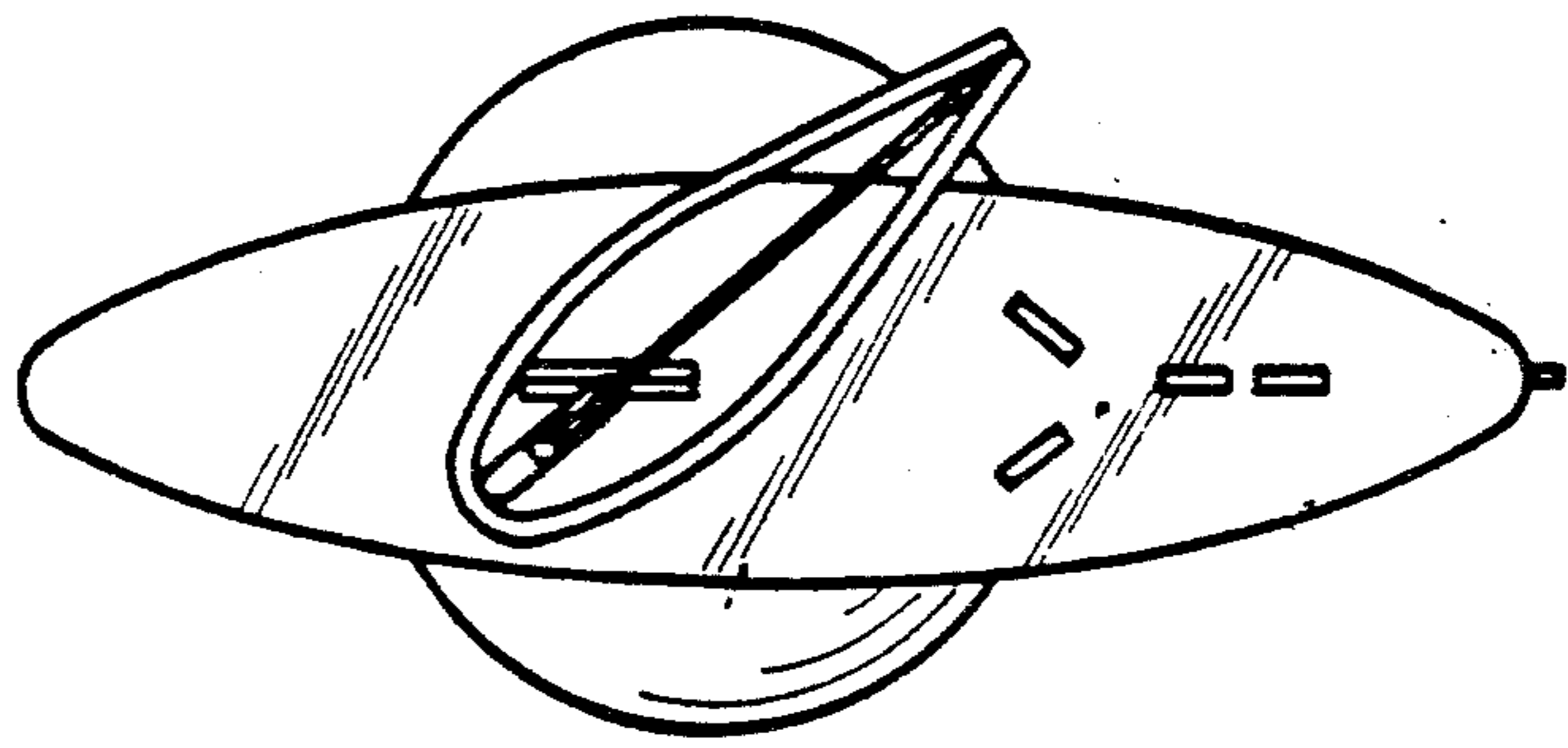


Fig. 6

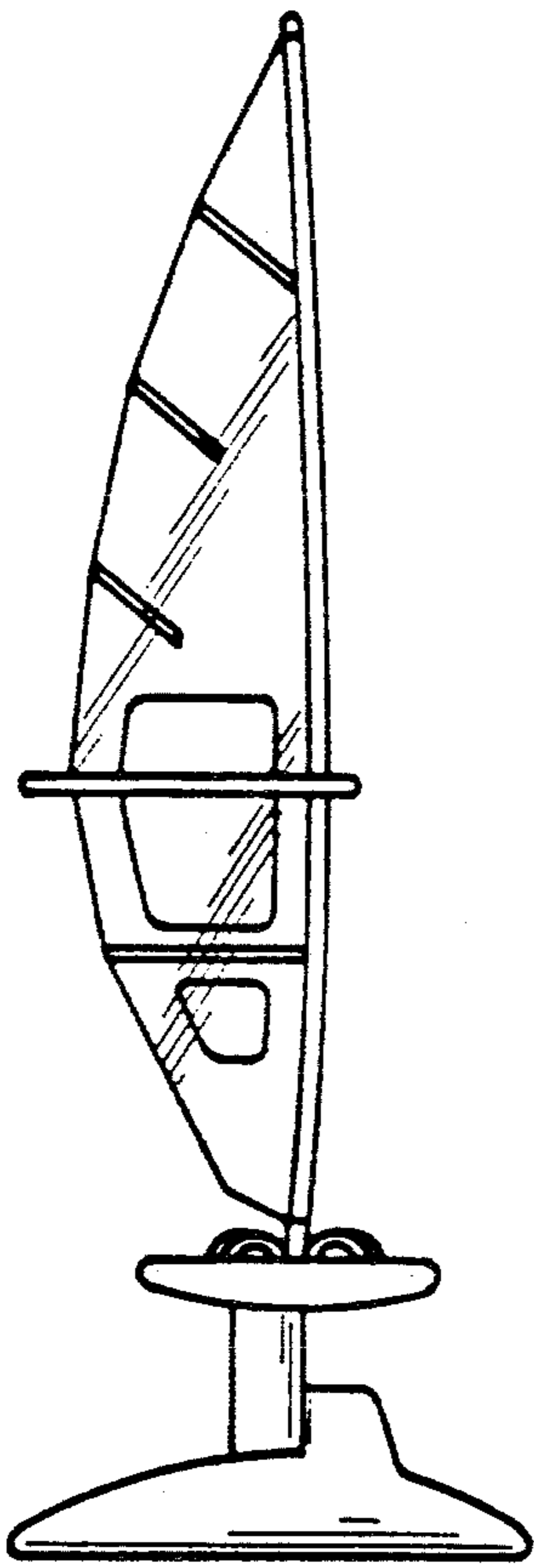


Fig. 3

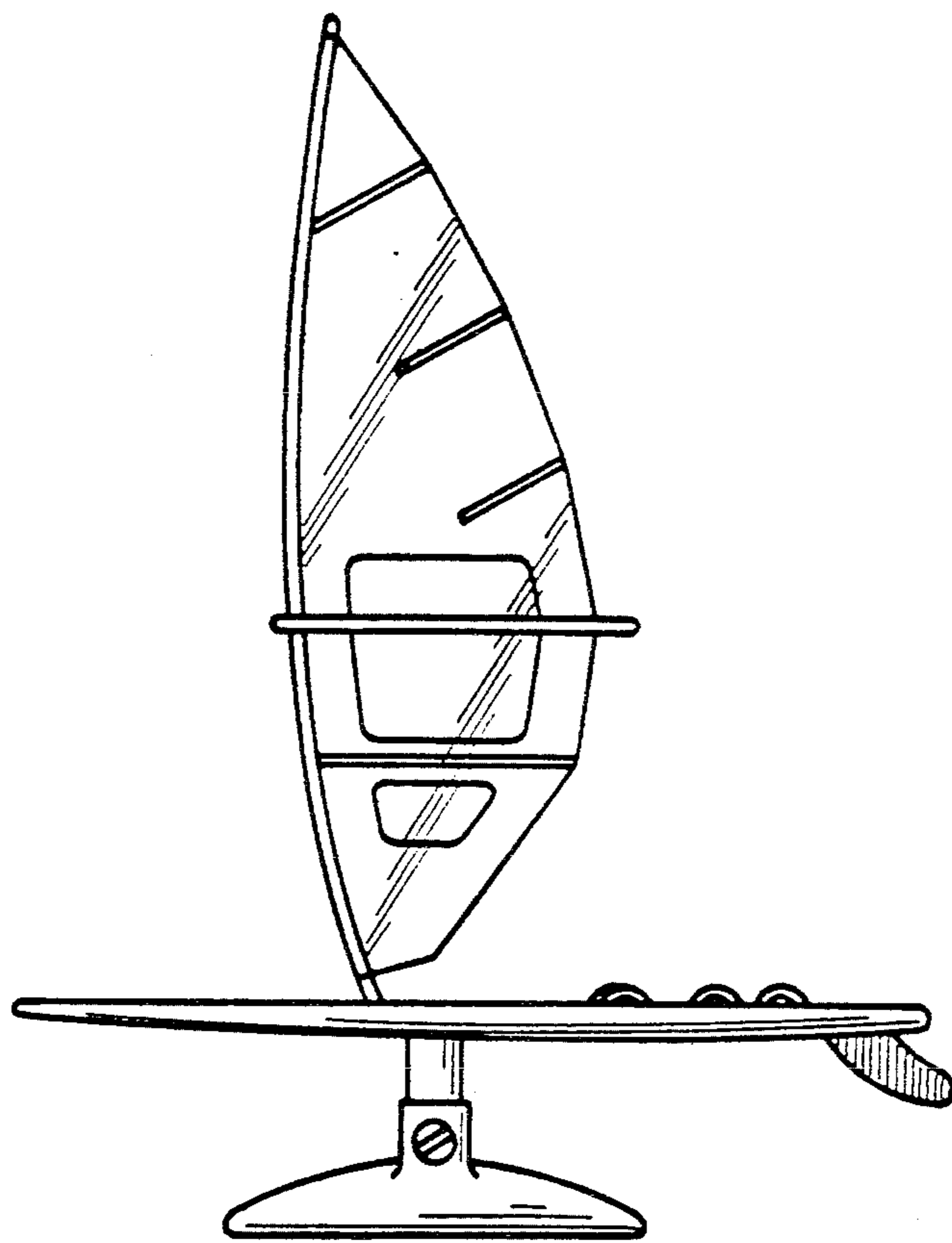


Fig. 2

Fig. 7

