

[54] LEVER HANDLE AND ROSETTE UNIT

[75] Inventor: Stanley Pechar, Diamond Bar, Calif.

[73] Assignee: Kwikset Corporation, Anaheim, Calif.

[**] Term: 14 Years

[21] Appl. No.: 424,834

[22] Filed: Oct. 20, 1989

[52] U.S. Cl. D8/301; D8/308; D8/353

[58] Field of Search D8/300, 307, 308, 350, D8/353, 302, 301; 74/519, 523; 16/110 R

[56] References Cited

U.S. PATENT DOCUMENTS

- D. 300,202 3/1989 Holsted et al. D8/302
- D. 300,238 3/1989 Kohler, Jr. et al. D8/353

OTHER PUBLICATIONS

Kwikset Locksets Design Selector Chart; front side; Facet Lever (lower center).

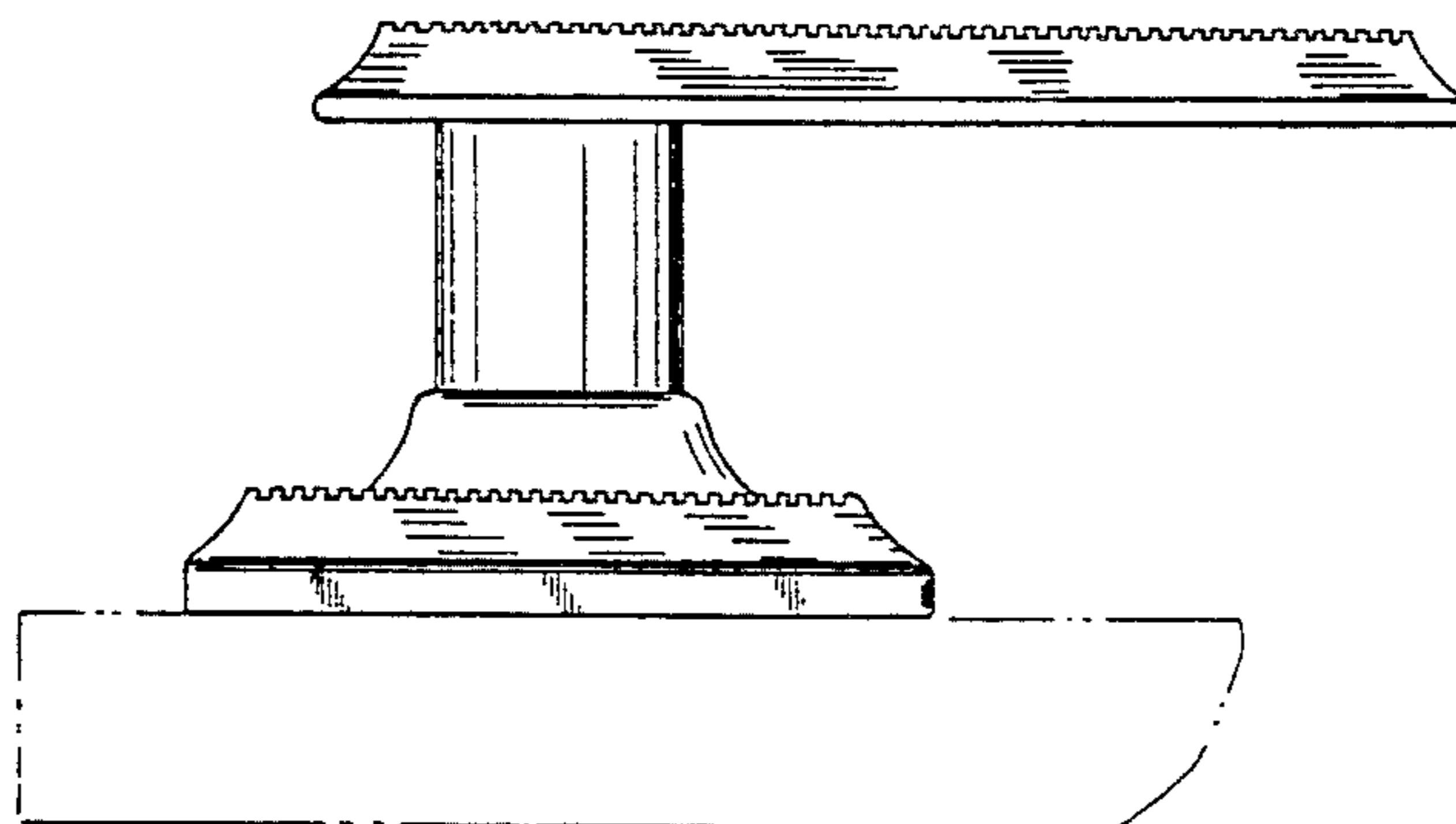
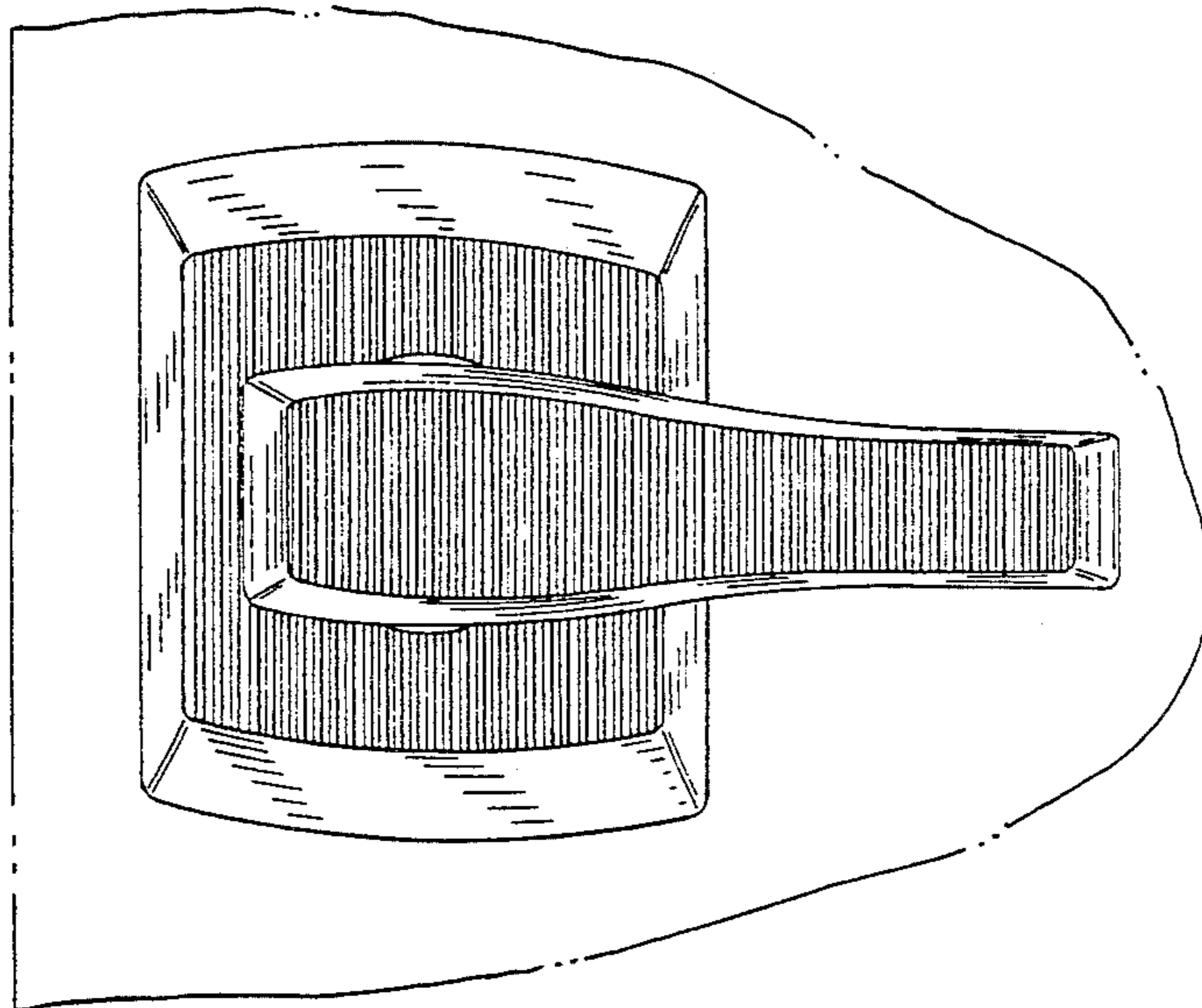
Primary Examiner—B. J. Bullock
Attorney, Agent, or Firm—Barry E. Deutsch; J. Bruce Hoofnagle

[57] CLAIM

The ornamental design for a lever handle and rosette unit, as shown and described.

DESCRIPTION

FIG. 1 is a front elevational view of a lever and rosette unit showing my new design;
 FIG. 2 is a bottom plan view thereof, the top being a mirror image;
 FIG. 3 is a left side elevational view thereof;
 FIG. 4 is a right side elevational view thereof;
 FIG. 5 is a rear elevational view thereof.
 The broken line showing of a portion of a mounting surface in FIGS. 1-4 is for illustrative purposes only.



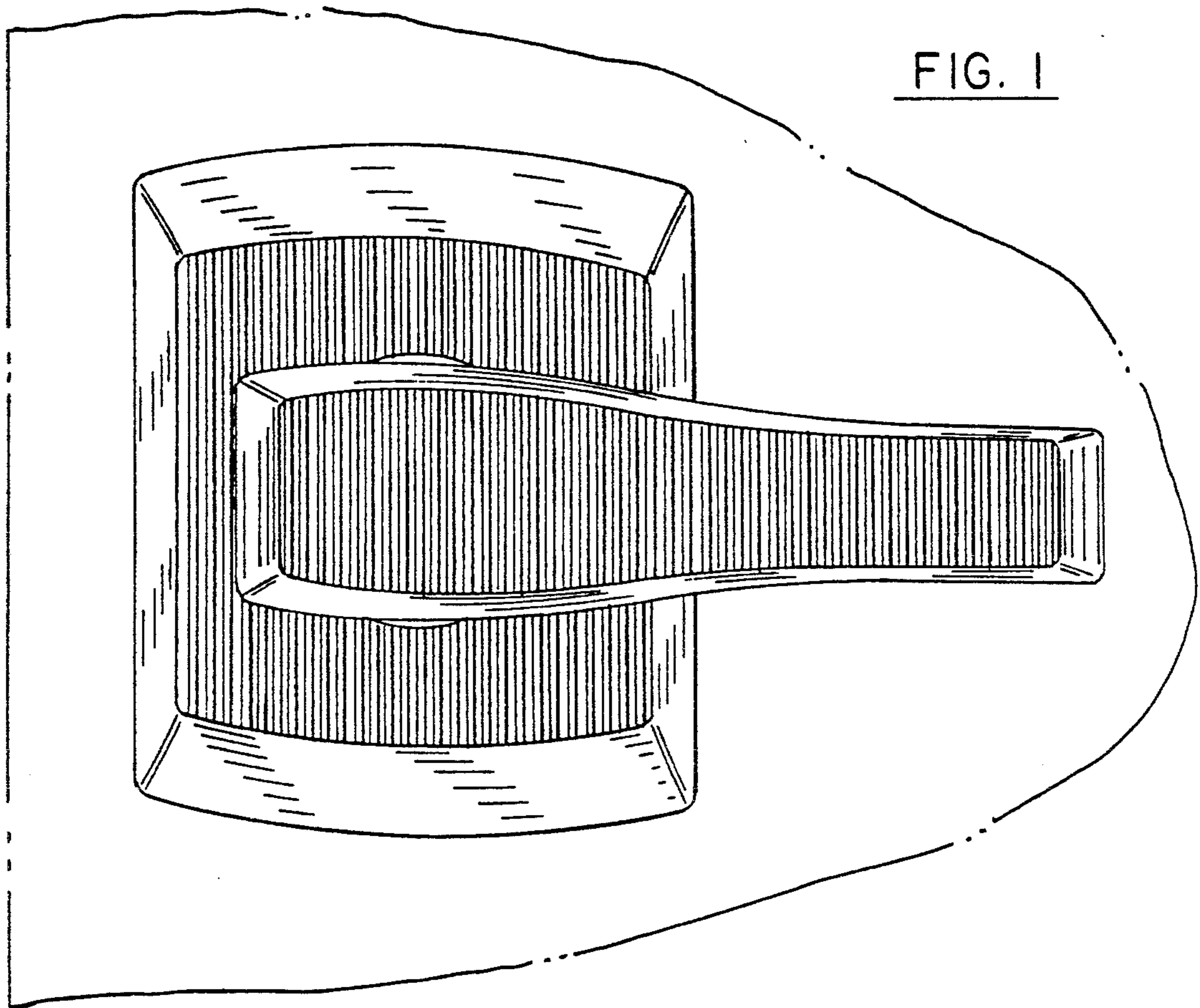


FIG. 1

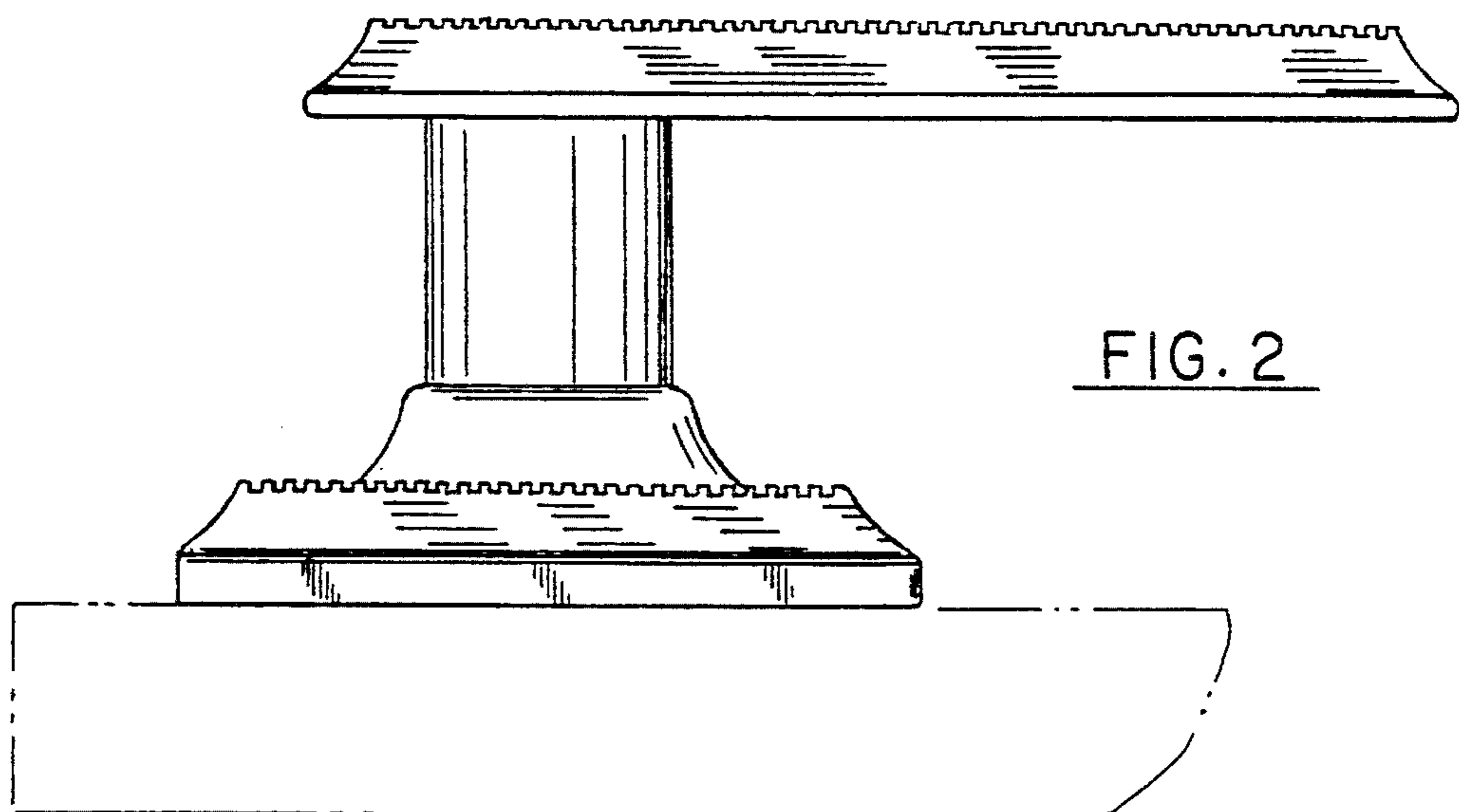


FIG. 2

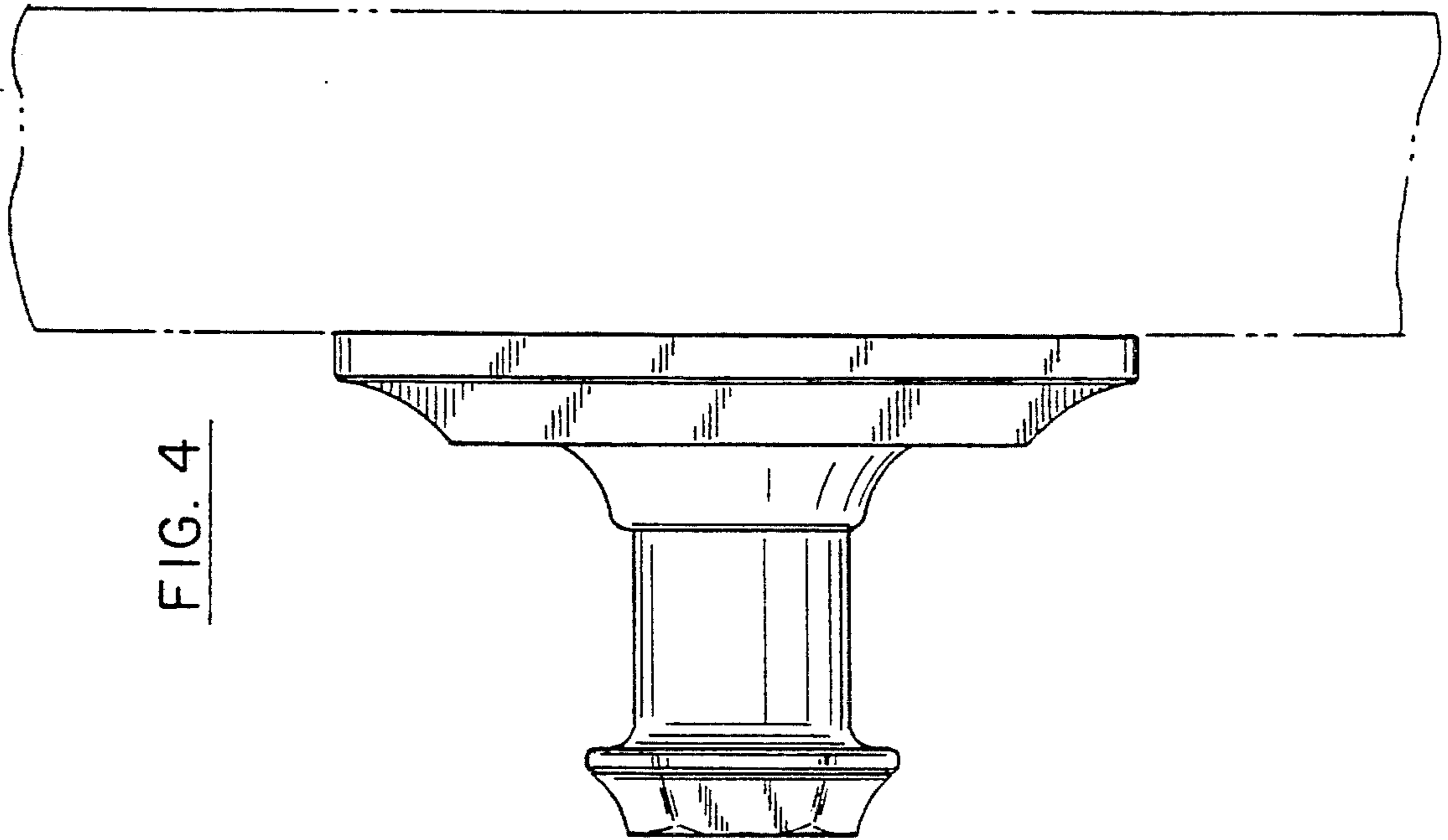


FIG. 4

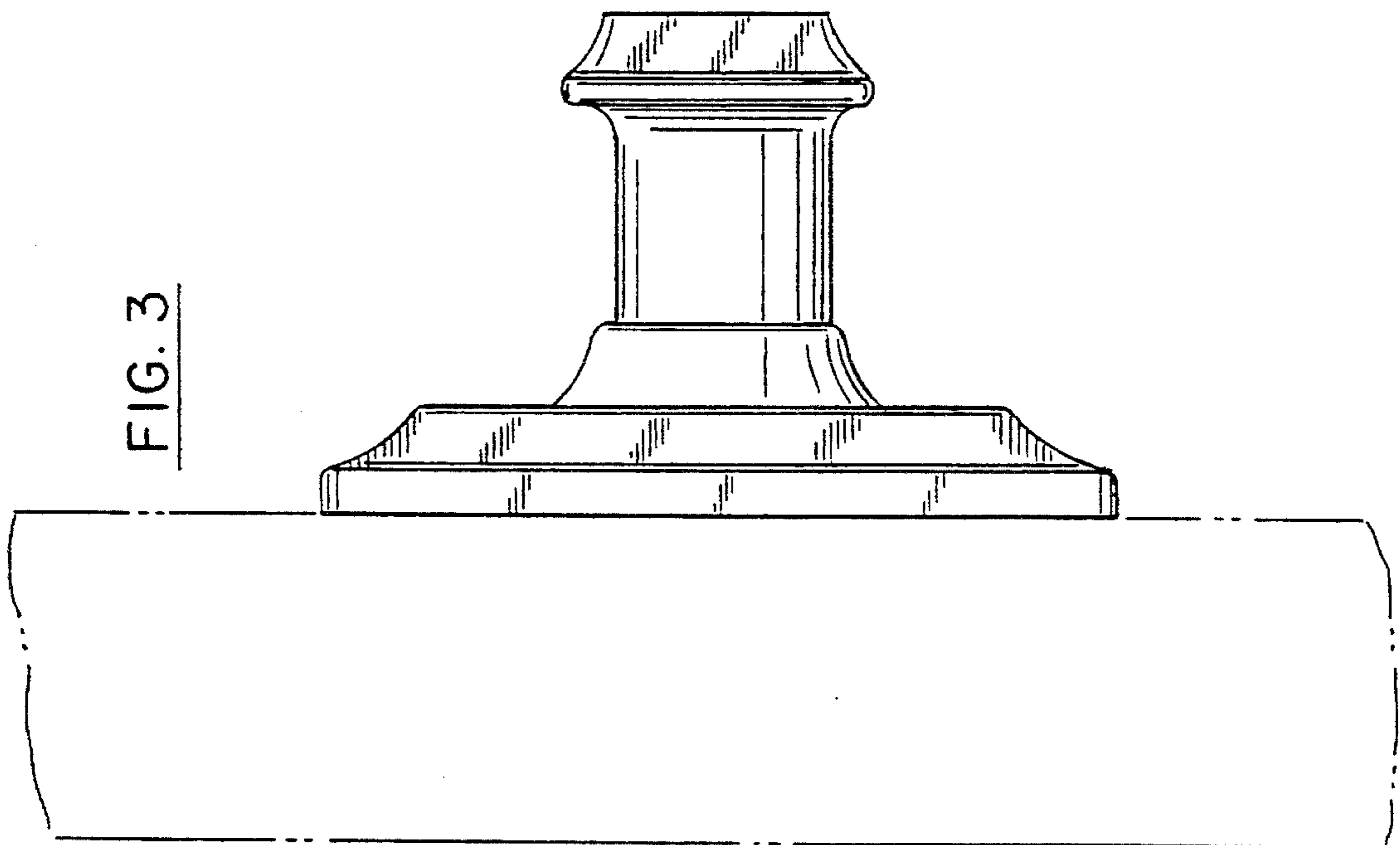


FIG. 3

FIG. 5

