

[54] GUIDE BAR FOR CHAIN SAW

[75] Inventor: Mitsukazu Takishita, Gifu, Japan  
 [73] Assignee: Sugihara Rinki Co., Ltd., Gifu, Japan  
 [\*\*] Term: 14 Years  
 [21] Appl. No.: 162,460  
 [22] Filed: Mar. 1, 1988

[30] Foreign Application Priority Data

|                      |   |          |
|----------------------|---|----------|
| Sep. 2, 1987 [JP]    | Japan   | 62-36050 |
| Sep. 2, 1987 [JP]    | Japan   | 62-36051 |
| Sep. 2, 1987 [JP]    | Japan   | 62-36053 |
| Sep. 2, 1987 [JP]    | Japan   | 62-36054 |
| [52] U.S. Cl.        |   | D8/70    |
| [58] Field of Search | D8/70; D15/138; 30/381, 30/383-387; 83/824, 825 |          |

[56] References Cited

U.S. PATENT DOCUMENTS

|           |         |                   |          |
|-----------|---------|-------------------|----------|
| 2,811,342 | 10/1987 | McCallum .        |          |
| 3,545,505 | 12/1970 | De Weese et al. . |          |
| 3,762,047 | 10/1973 | Scott-Jackson .   |          |
| 3,955,279 | 5/1976  | Pierson .         |          |
| 4,159,569 | 7/1979  | Sundstrom         | 30/384   |
| 4,321,750 | 3/1982  | Sugihara          | 30/384   |
| 4,381,606 | 5/1983  | Ekrud et al.      | 30/387   |
| 4,489,493 | 12/1984 | Tsumura .         |          |
| 4,611,401 | 9/1986  | Piller            | 30/381 X |
| 4,651,424 | 3/1987  | Yamada            | 30/383 X |
| 4,693,007 | 3/1987  | Apfel et al.      | 30/383 X |
| 4,722,141 | 2/1988  | Lim et al.        | 30/383 X |

FOREIGN PATENT DOCUMENTS

|          |         |                        |        |
|----------|---------|------------------------|--------|
| 657445   | 2/1963  | Canada                 | 30/387 |
| 850803   | of 0000 | Fed. Rep. of Germany . |        |
| 57-13509 | of 0000 | Japan .                |        |
| 41-37792 | of 0000 | Japan .                |        |
| 496797   | 3/1979  | Japan .                |        |

Primary Examiner—Nelson C. Holtje  
 Assistant Examiner—Gary D. Watson  
 Attorney, Agent, or Firm—Jordan and Hamburg

[57] CLAIM

The ornamental design for a guide bar for chain saw, as shown and described.

DESCRIPTION

FIG. 1 is a left side elevational view of a guide bar for chain saw showing my new design, the right side being a mirror image thereof;  
 FIG. 2 is a top plan view of FIG. 1, the bottom being a mirror image thereof;  
 FIG. 3 is a rear elevational view of FIG. 1;  
 FIG. 4 is a front elevational view of FIG. 1; and  
 FIG. 5 is a perspective view of FIG. 1;  
 FIG. 6 is a left side elevational view of a second embodiment of a guide bar for chain saw showing my new design of FIGS. 1-5, the right side being a mirror image thereof;  
 FIG. 7 is a top plan view of FIG. 6, the bottom being a mirror image thereof;  
 FIG. 8 is a rear elevational view of FIG. 6;  
 FIG. 9 is a front elevational view of FIG. 6; and  
 FIG. 10 is a perspective view of FIG. 6;  
 FIG. 11 is a left side elevational view of a third embodiment of a guide bar for chain saw showing my new design of FIGS. 6-10, the right side being a mirror image thereof;  
 FIG. 12 is a top plan view of FIG. 11, the bottom being a mirror image thereof;  
 FIG. 13 is a rear elevational view of FIG. 11;  
 FIG. 14 is a front elevational view of FIG. 11; and  
 FIG. 15 is a perspective view of FIG. 11;  
 FIG. 16 is a left side elevational view of a fourth embodiment of a guide bar for chain saw showing my new design of FIGS. 11-15, the right being a mirror image thereof;  
 FIG. 17 is a top plan view of FIG. 16, the bottom being a mirror image thereof;  
 FIG. 18 is a rear elevational view of FIG. 16;  
 FIG. 19 is a front elevational view of FIG. 16; and  
 FIG. 20 is a perspective view of FIG. 16;  
 FIG. 21 is a left side elevational view of a fifth embodiment of a guide bar for chain saw showing my new design of FIGS. 16-20, the right being a mirror image thereof;  
 FIG. 22 is a top plan view of FIG. 21, the bottom being a mirror image thereof;  
 FIG. 23 is a rear elevational view of FIG. 21;  
 FIG. 24 is a front elevational view of FIG. 21; and  
 FIG. 25 is a perspective view of FIG. 21;

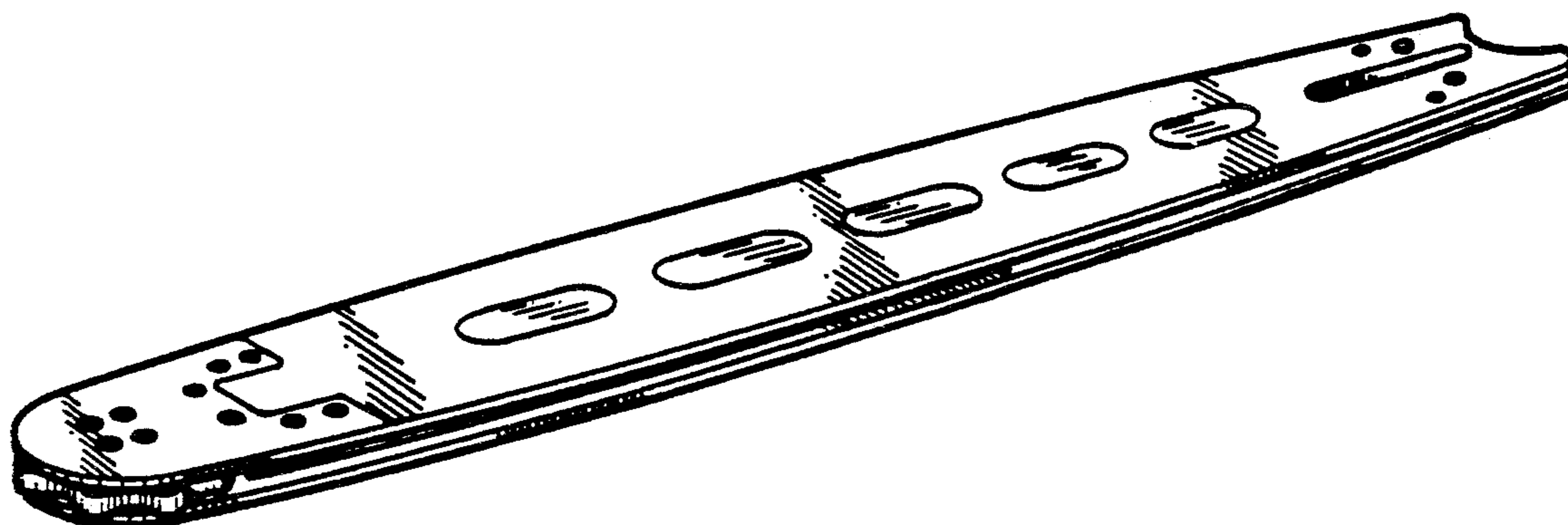


FIG. 26 is a left side elevational view of a sixth embodiment of a guide bar for chain saw showing my new design of FIGS. 21-25, the right being a mirror image thereof;

FIG. 27 is a top plan view of FIG. 26, the bottom being a mirror image thereof;  
FIG. 28 is a rear elevational view of FIG. 26;  
FIG. 29 is a front elevational view of FIG. 26; and  
FIG. 30 is a perspective view of FIG. 26.

FIG. 3



FIG. 1

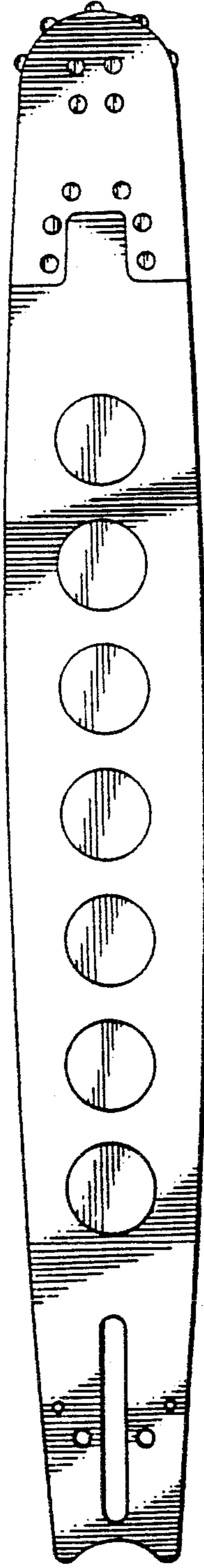


FIG. 4



FIG. 2



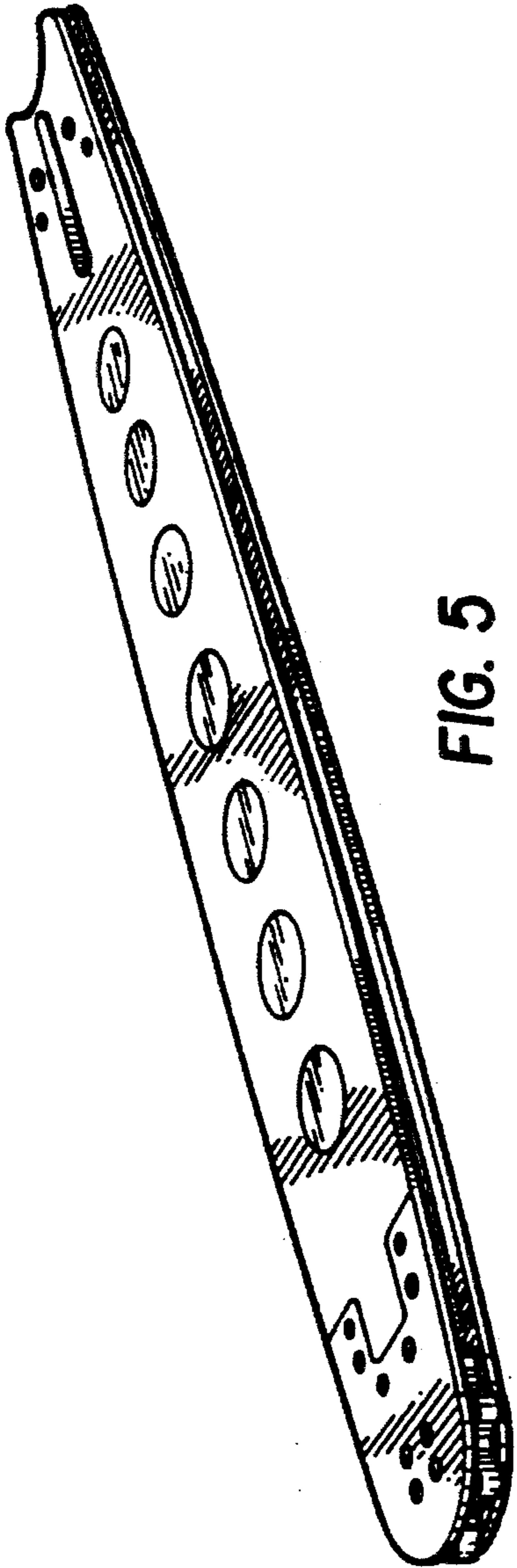


FIG. 5

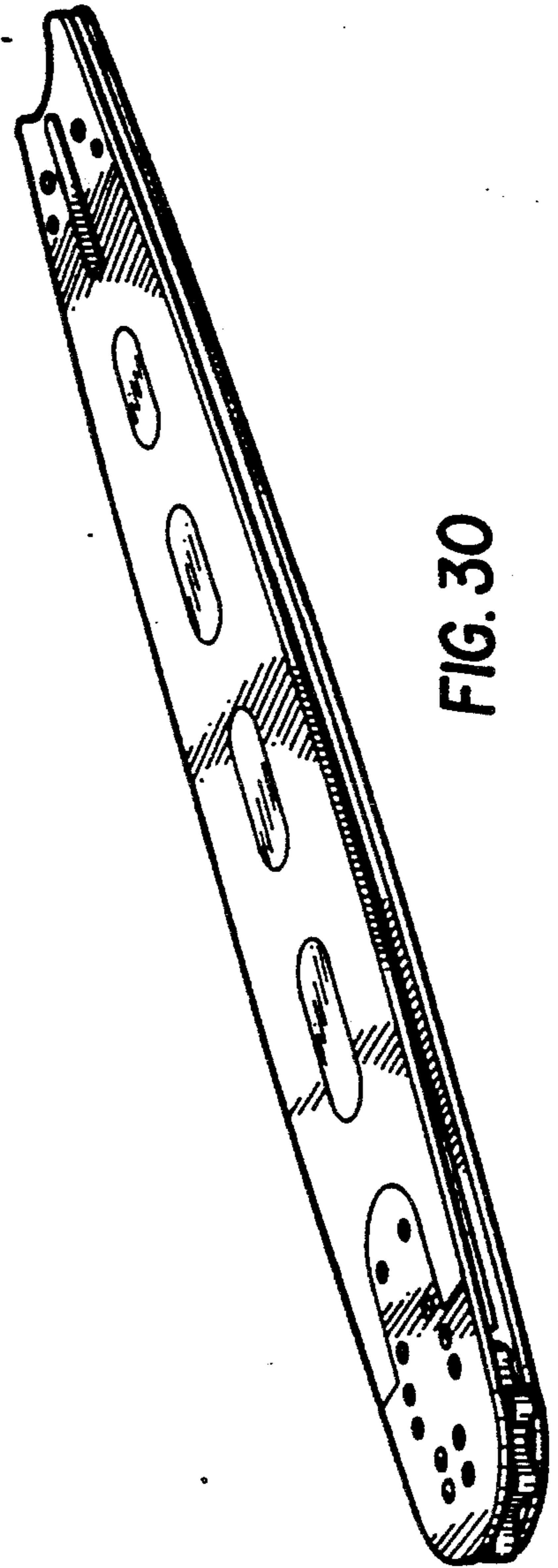


FIG. 30



FIG. 8



FIG. 6

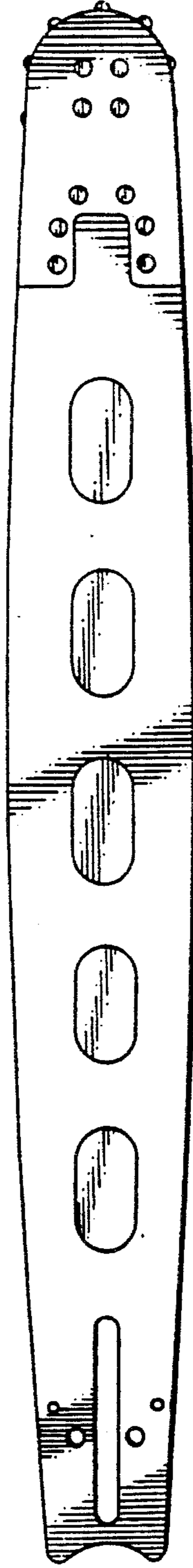
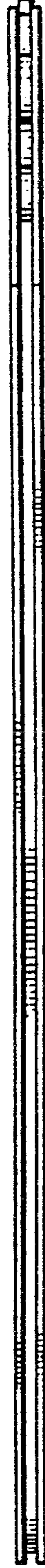


FIG. 9



FIG. 7



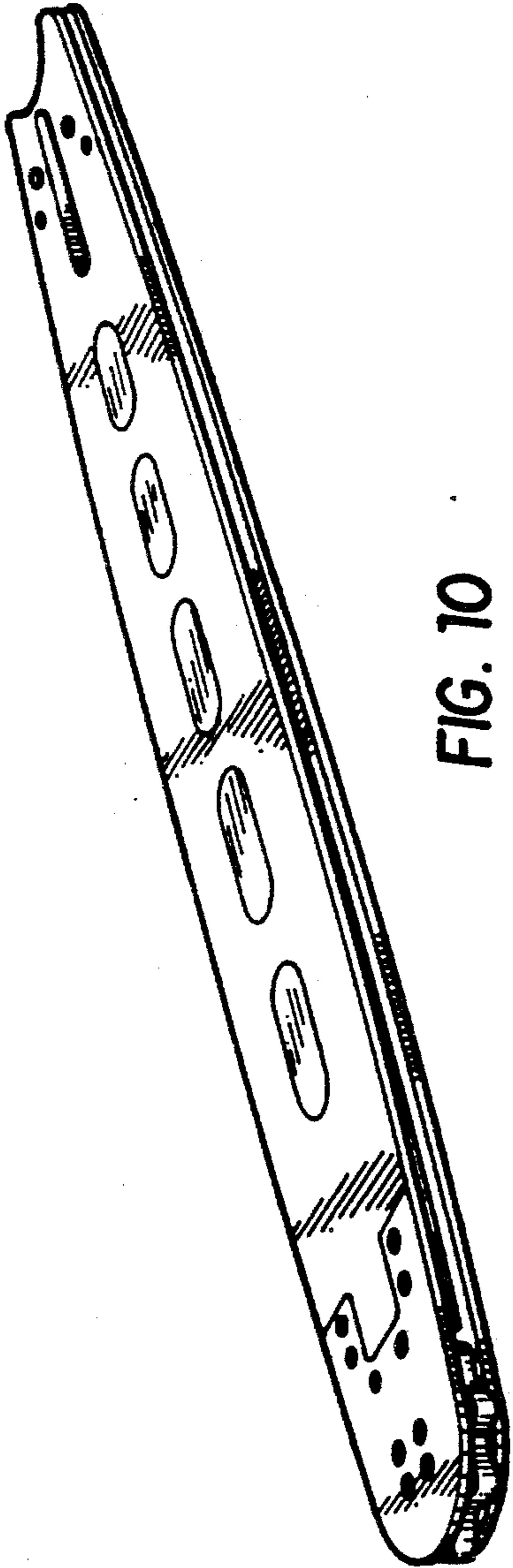


FIG. 10

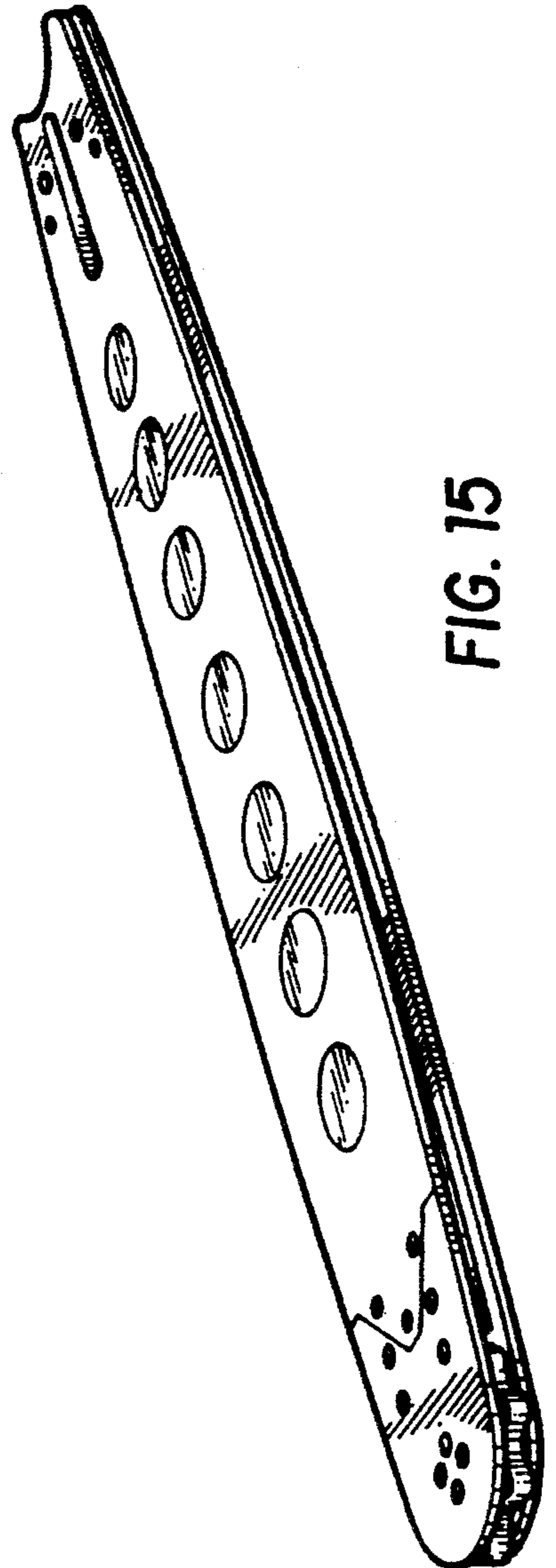


FIG. 15

FIG. 14



FIG. 11

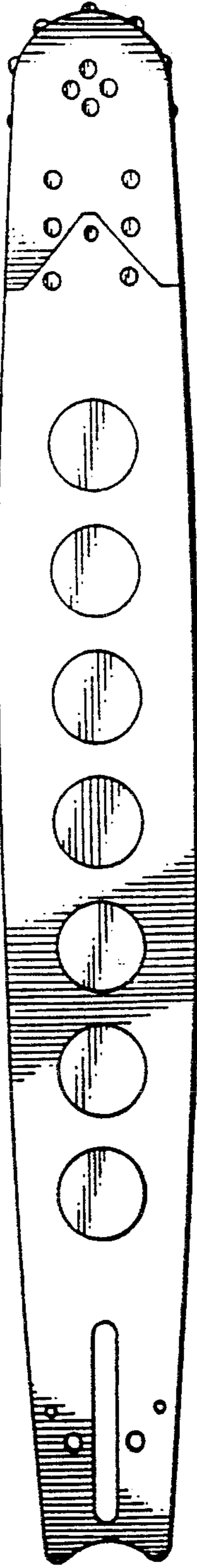


FIG. 13



FIG. 12



FIG. 18



FIG. 16

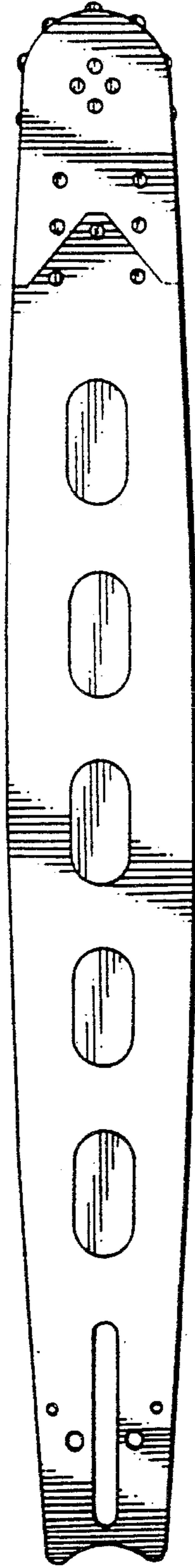


FIG. 19



FIG. 17





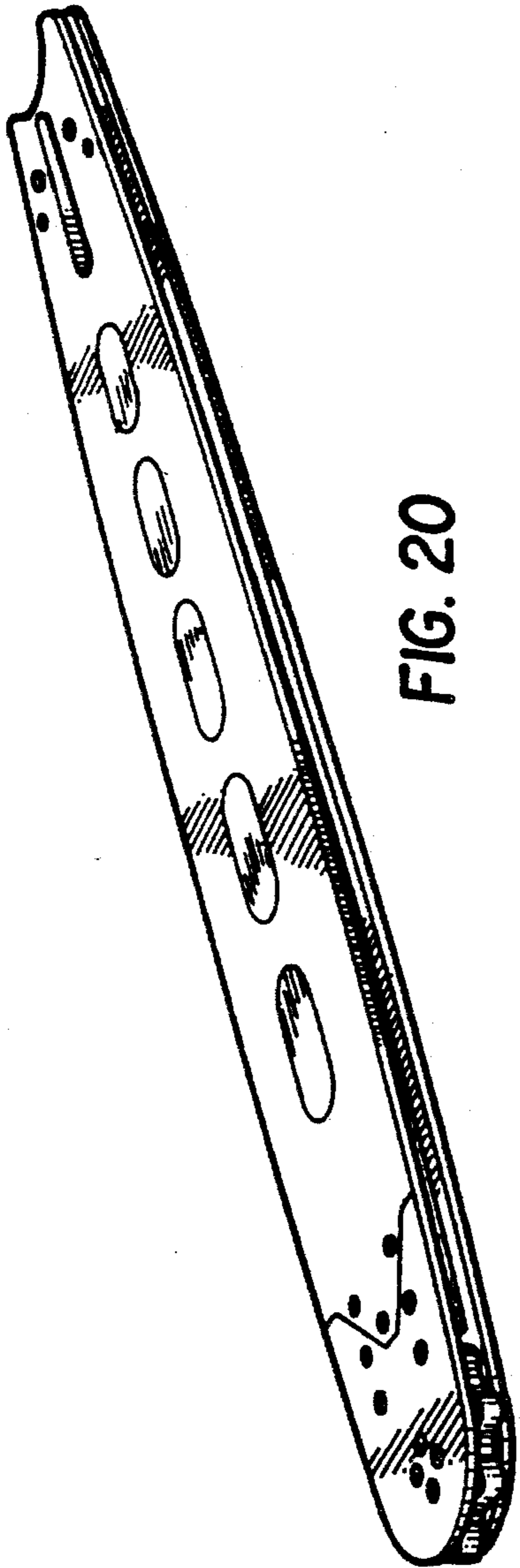


FIG. 20

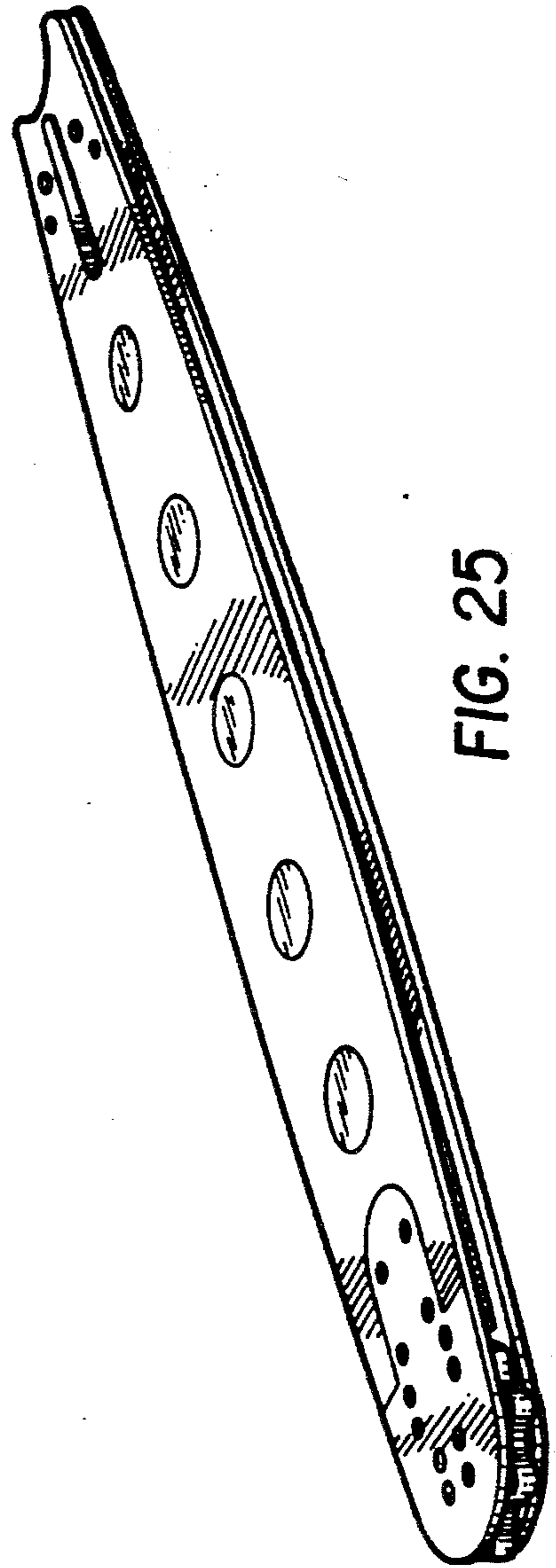


FIG. 25

FIG. 21

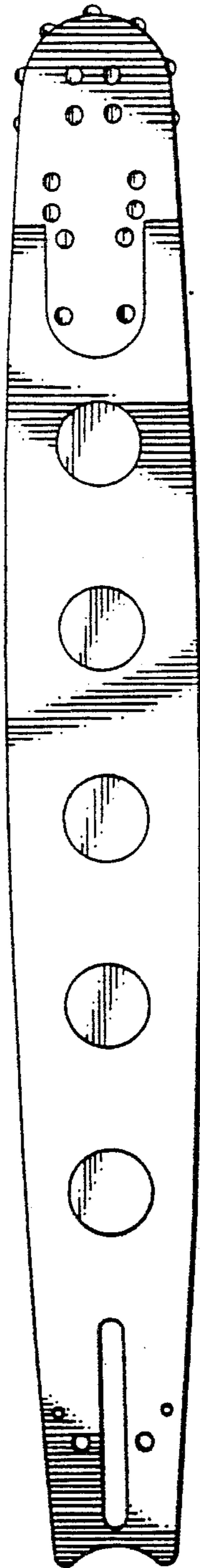


FIG. 24



FIG. 23



FIG. 22



FIG. 26



FIG. 29

FIG. 28



FIG. 27

