

[54] SCISSORS

[75] Inventor: **Katsumi Hasegawa**, Sagamihara,
Japan

[73] Assignee: **Kai R&D Center Co., Ltd.**, Seki,
Japan

[**] Term: **14 Years**

[21] Appl. No.: **319,643**

[22] Filed: **Mar. 6, 1989**

[30] **Foreign Application Priority Data**

Jul. 15, 1987 [JP] Japan 62-28867
[52] U.S. Cl. D8/57
[58] Field of Search D8/57; 30/194, 231-232,
30/244, 254-262

[56]

References Cited

U.S. PATENT DOCUMENTS

590,330 9/1897 Nolen 30/254
3,913,422 10/1975 Weber D8/57 X

Primary Examiner—Terry A. Pfeffer
Attorney, Agent, or Firm—Arnold, White & Durkee

[57]

CLAIM

The ornamental design for scissors, as shown and described.

DESCRIPTION

FIG. 1 is a front elevational view of the scissors showing my new design;
FIG. 2 is a rear elevational view thereof;
FIG. 3 is a top plan view thereof;
FIG. 4 is a bottom plan view thereof;
FIG. 5 is a left side elevational view thereof;
FIG. 6 is a right side elevational view thereof;
FIG. 7 is a cross-sectional view taken along line 7—7 of FIG. 1; and
FIG. 8 is a cross-sectional view taken along line 8—8 of FIG. 1.

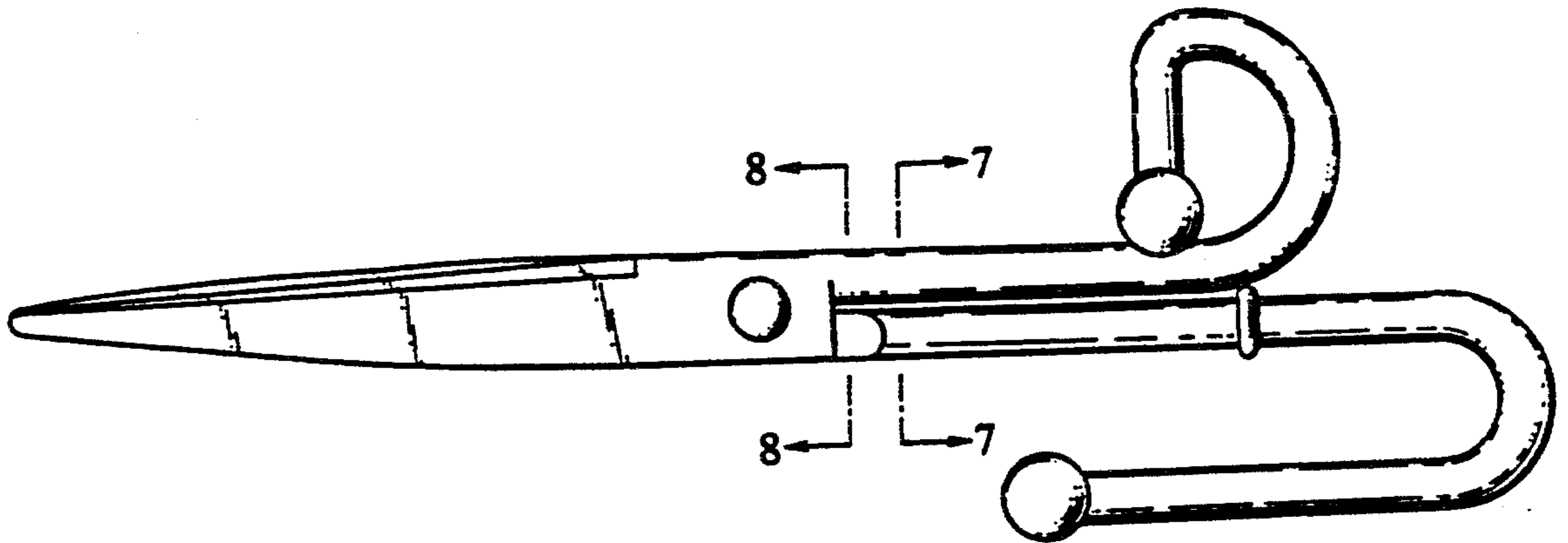


FIG. 1

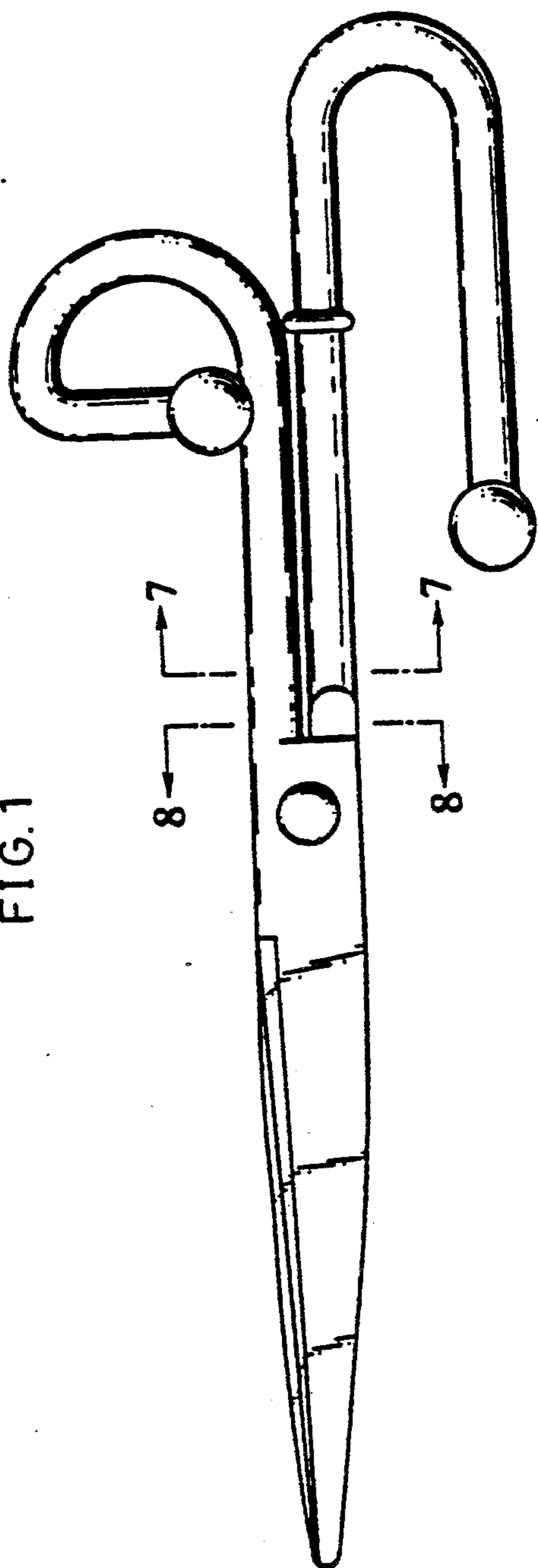


FIG. 2

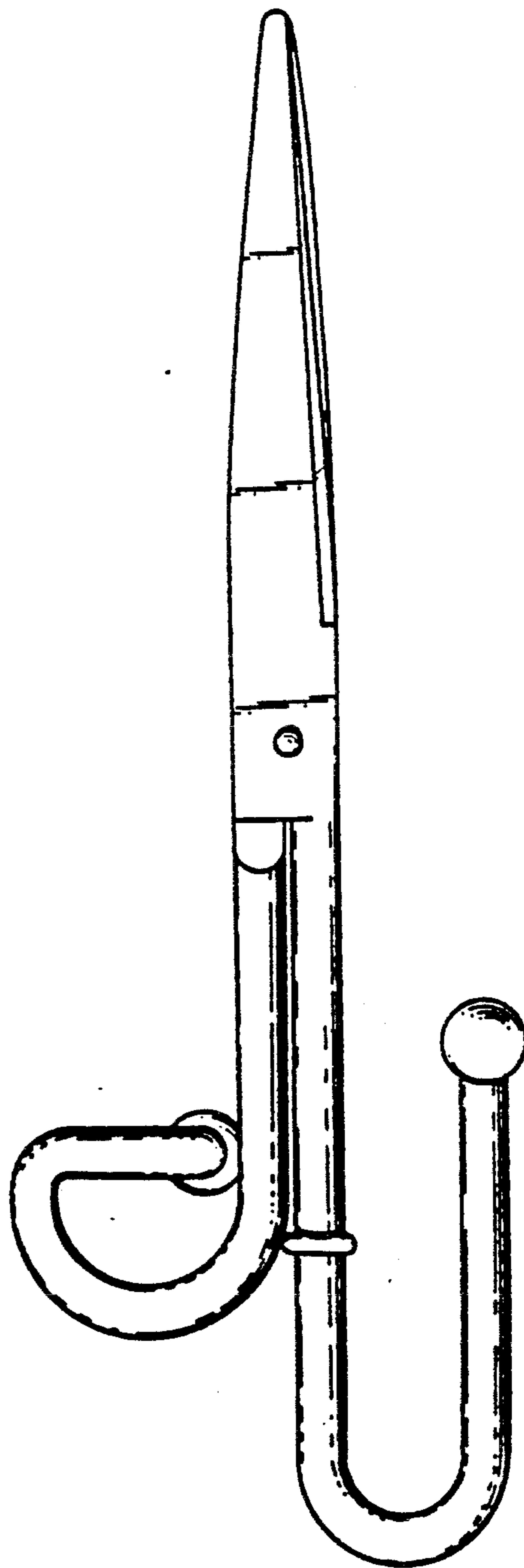


FIG. 3

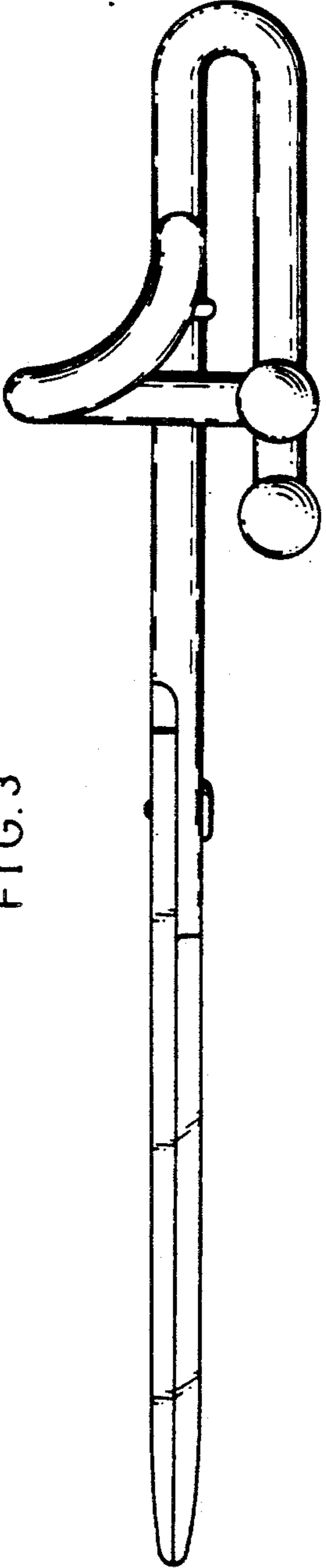


FIG. 4

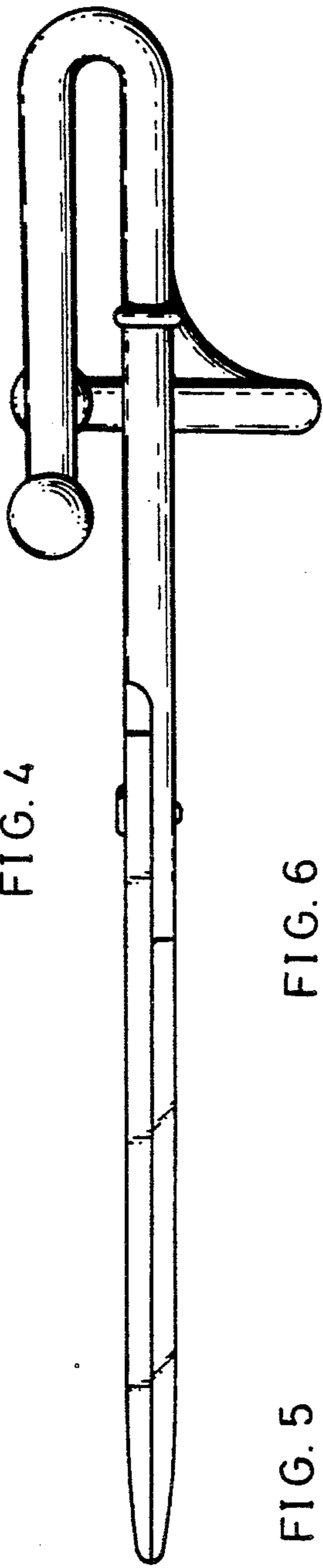


FIG. 5

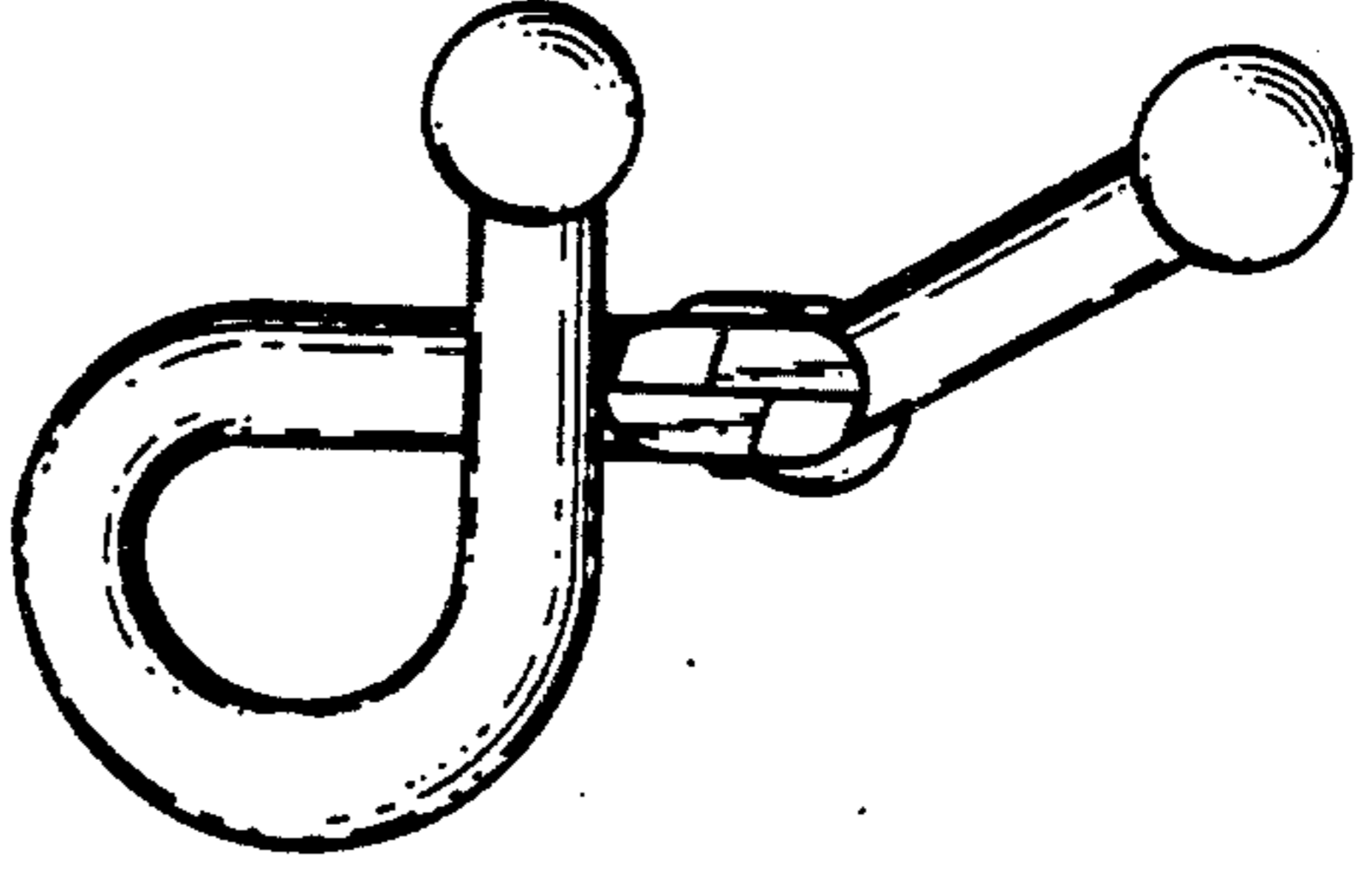


FIG. 6

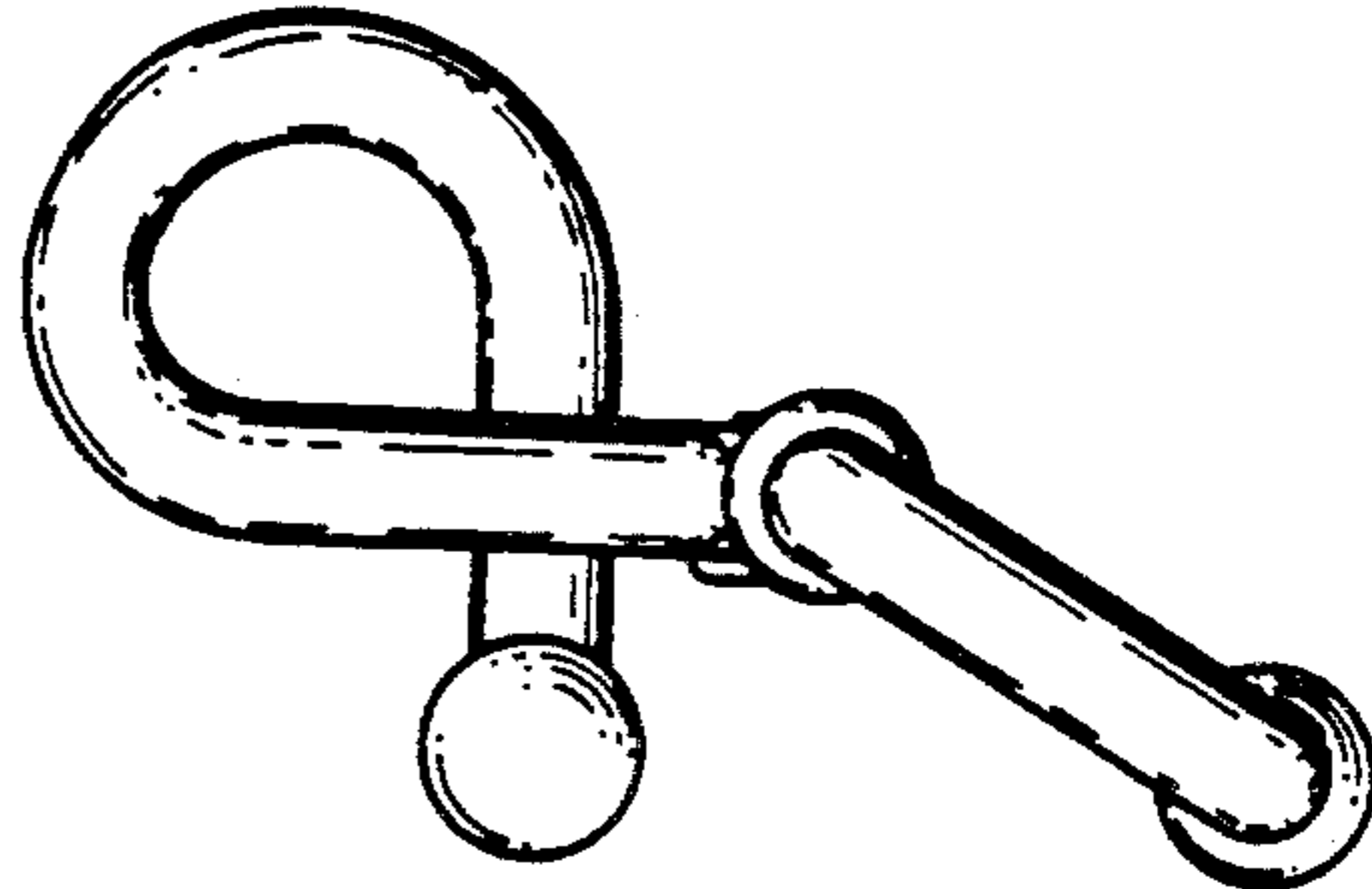


FIG. 7



FIG. 8

