

[54] **FOOD PROCESSOR**

[75] **Inventor:** Rudolf Maass, Solingen, Fed. Rep. of Germany

[73] **Assignee:** Robert Krups Stiftung & Co. KG, Solingen, Fed. Rep. of Germany

[**] **Term:** 14 Years

[21] **Appl. No.:** 295,939

[22] **Filed:** Jan. 11, 1989

[52] **U.S. Cl.** D7/384; D7/368; D7/376; D7/379

[58] **Field of Search** D7/381, 383, 384, 386, D7/368, 372, 373, 376-378, 412-415, 665, 379

[56] **References Cited**

U.S. PATENT DOCUMENTS

D. 126,657	4/1941	Lenning	D7/379
D. 226,124	1/1973	Roberts	D7/379
D. 272,979	3/1984	Akita et al.	D7/384
D. 296,976	8/1988	Maass	D7/384
1,886,092	11/1932	Graham	D7/665 X
3,156,278	11/1964	Otto	D7/413 X

OTHER PUBLICATIONS

W. Bell & Co., 1979 catalog, p. 306, item "A" top left-Ice Cream Maker/Hamilton Beach.

Schoner Wohnen, Jan. 1984, p. 82, Philips Food Processor at left/picture symbols on housing.

HFD-Retailing Home Furnishings, May 14, 1979, section one, p. 38, Toshiba Electronic Food Processor shown top r.

Williams Sonoma, Mar. 1986 catalog for Cooks, p. 23, item "G" Kitchenetics Gourmet Champ™ -Multi Functions Machine.

Primary Examiner—Winifred E. Herrmann

Attorney, Agent, or Firm—Peter K. Kontler

[57] **CLAIM**

The ornamental design for a food processor, as shown and described.

DESCRIPTION

FIG. 1 is a front perspective view of a food processor embodying my new design;

FIG. 2 is a front elevational view thereof;

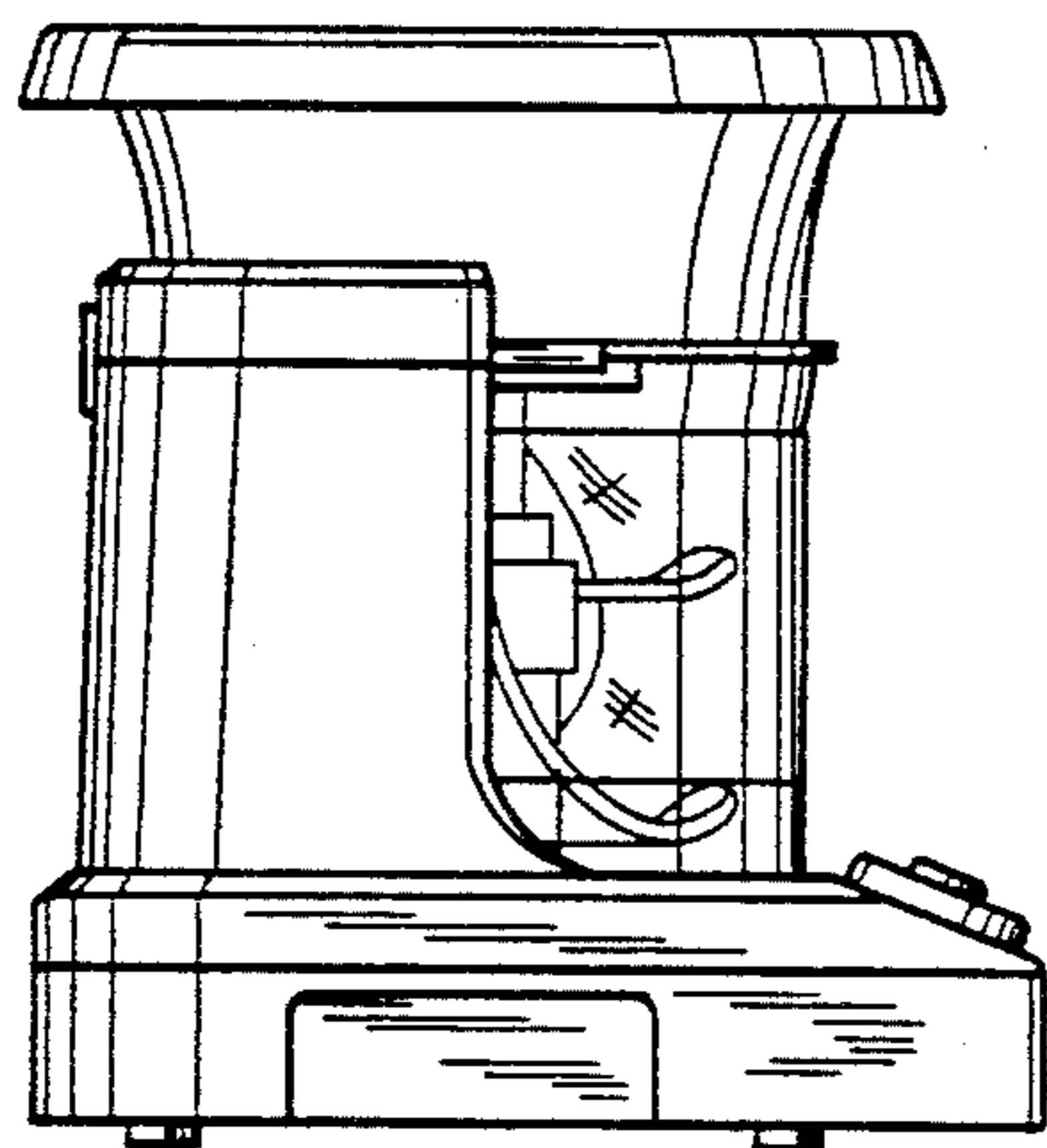
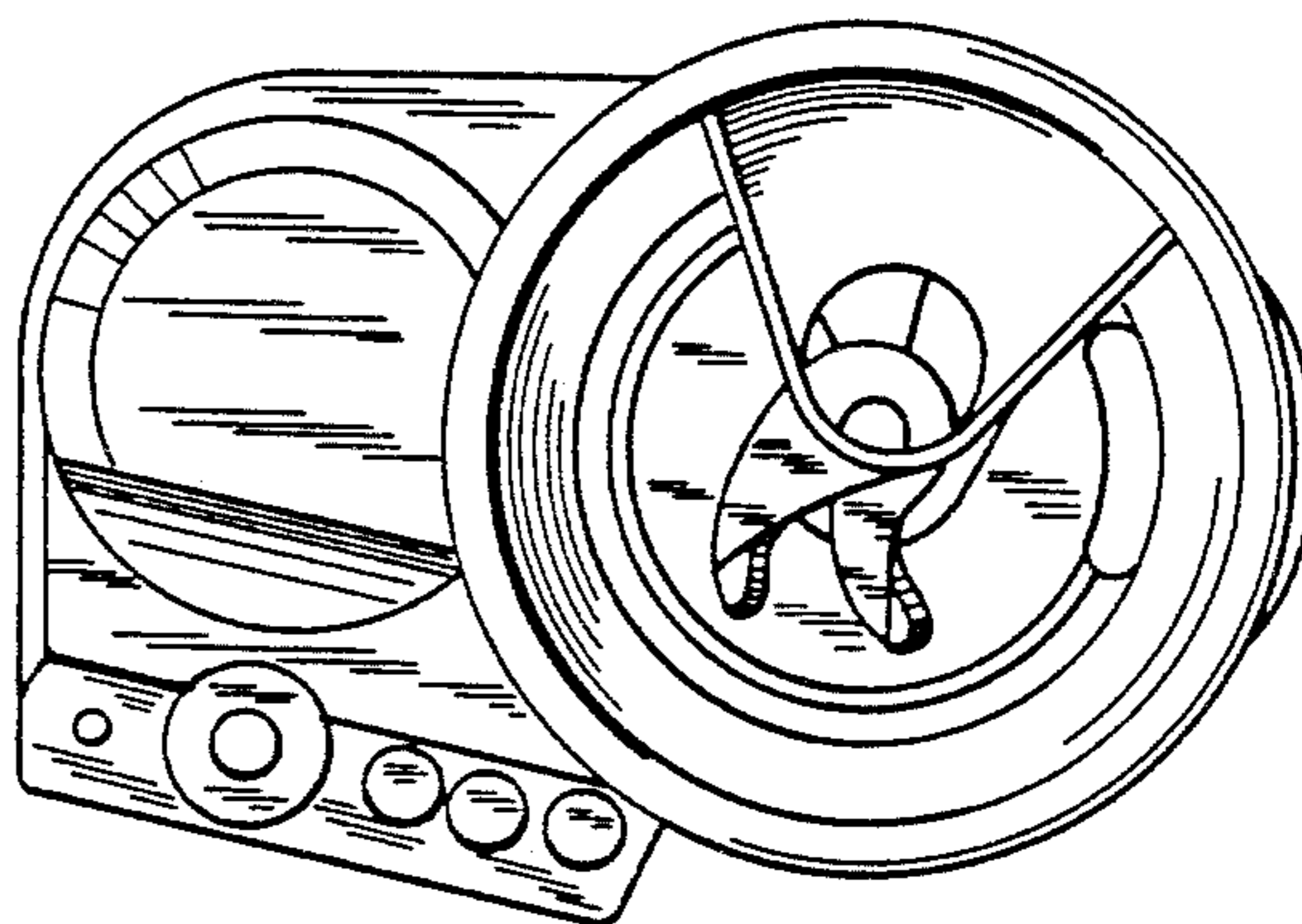
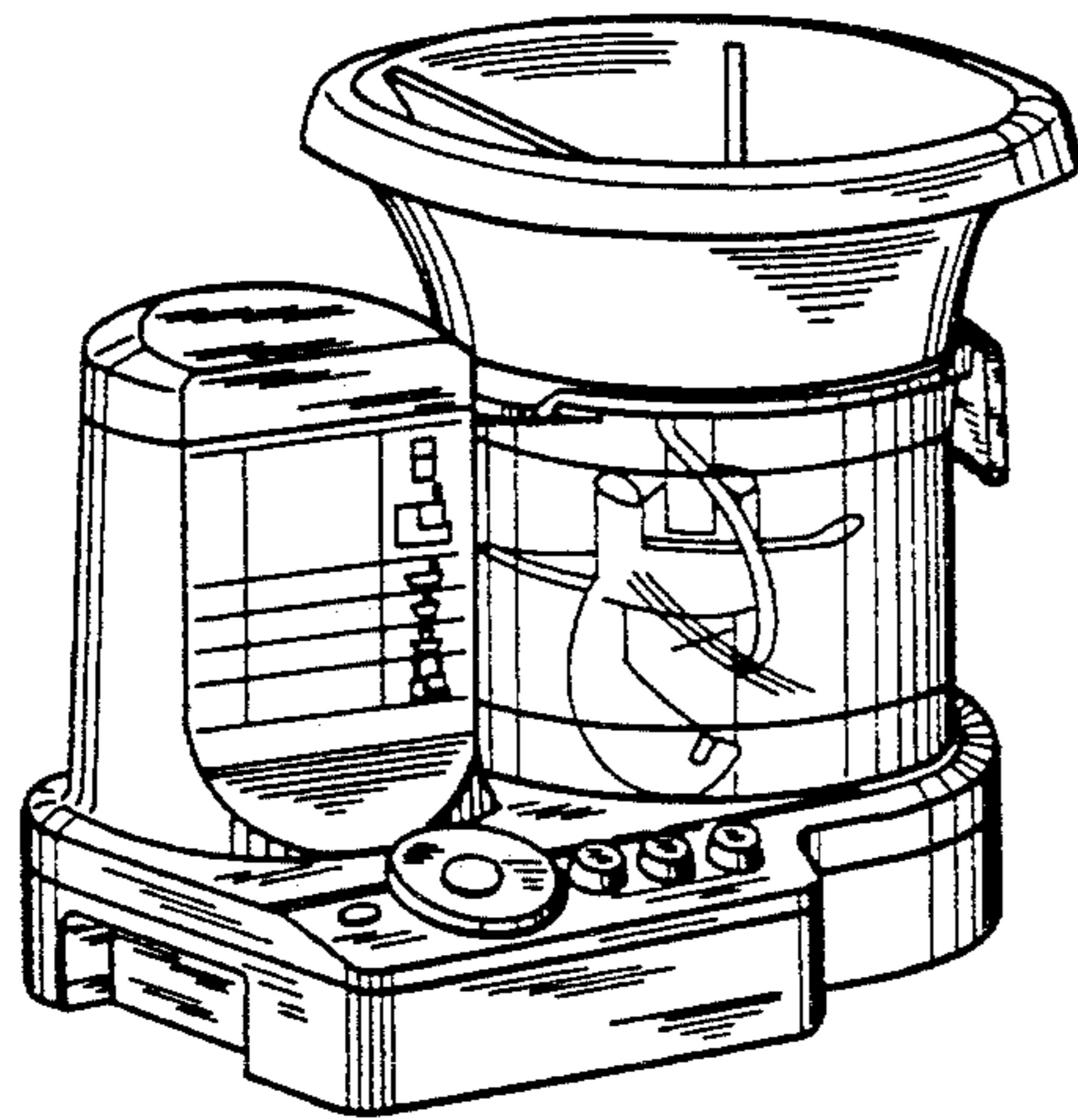
FIG. 3 is a top plan view thereof;

FIG. 4 is a bottom plan view thereof;

FIG. 5 is a rear elevational view thereof;

FIG. 6 is a right-hand side elevational view thereof; and

FIG. 7 is a left-hand side elevational view thereof.



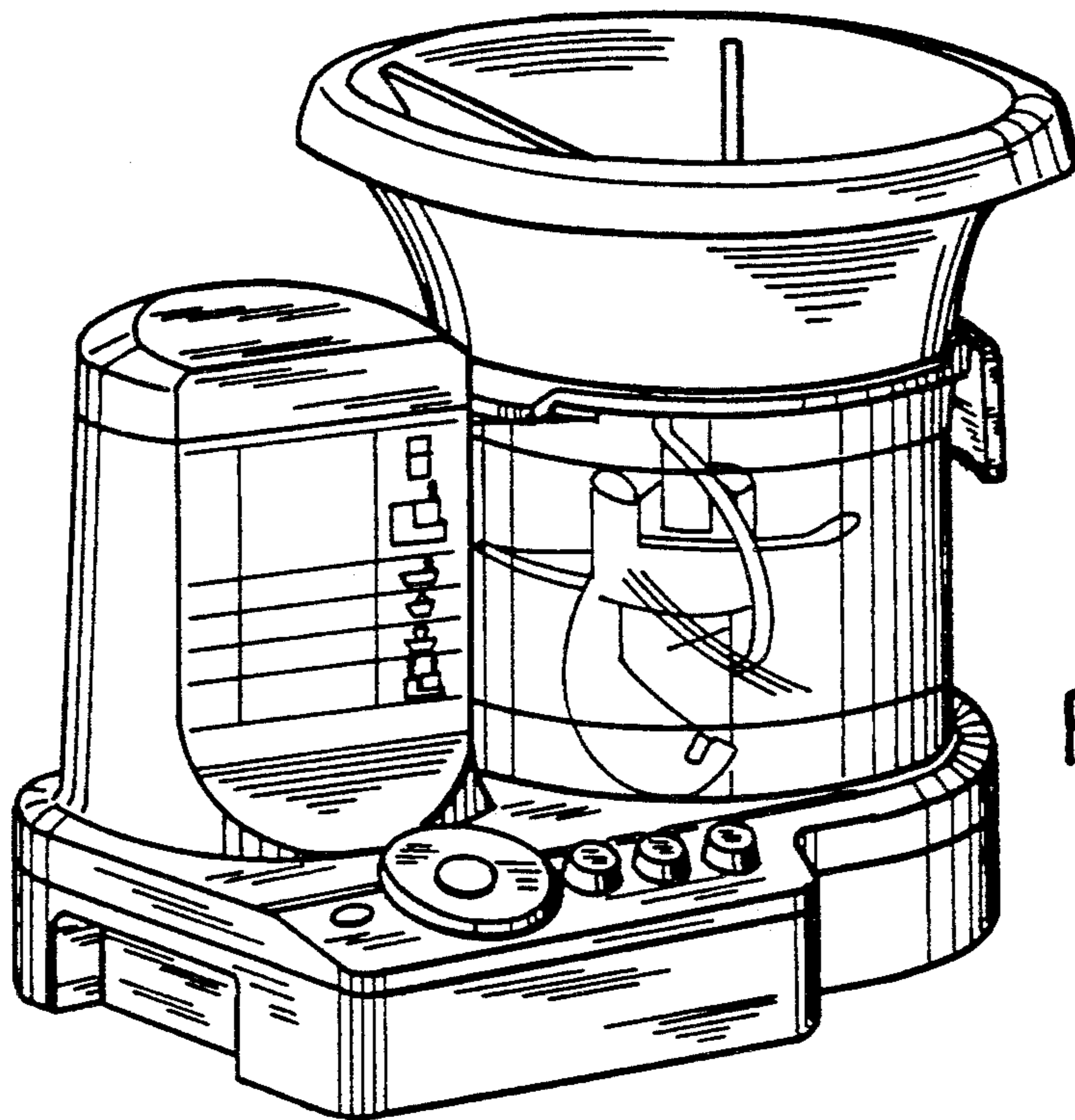


FIG. 1

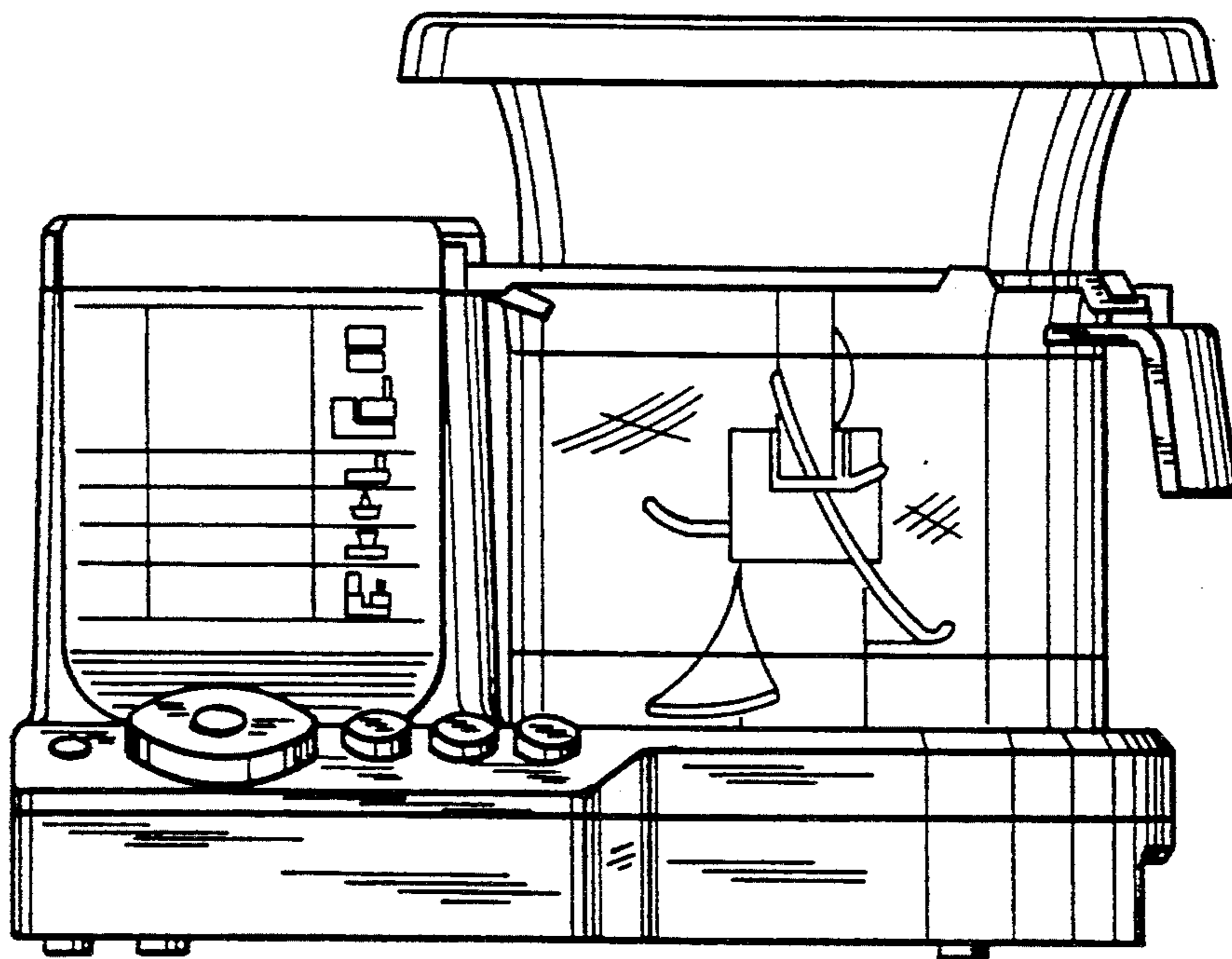


FIG. 2

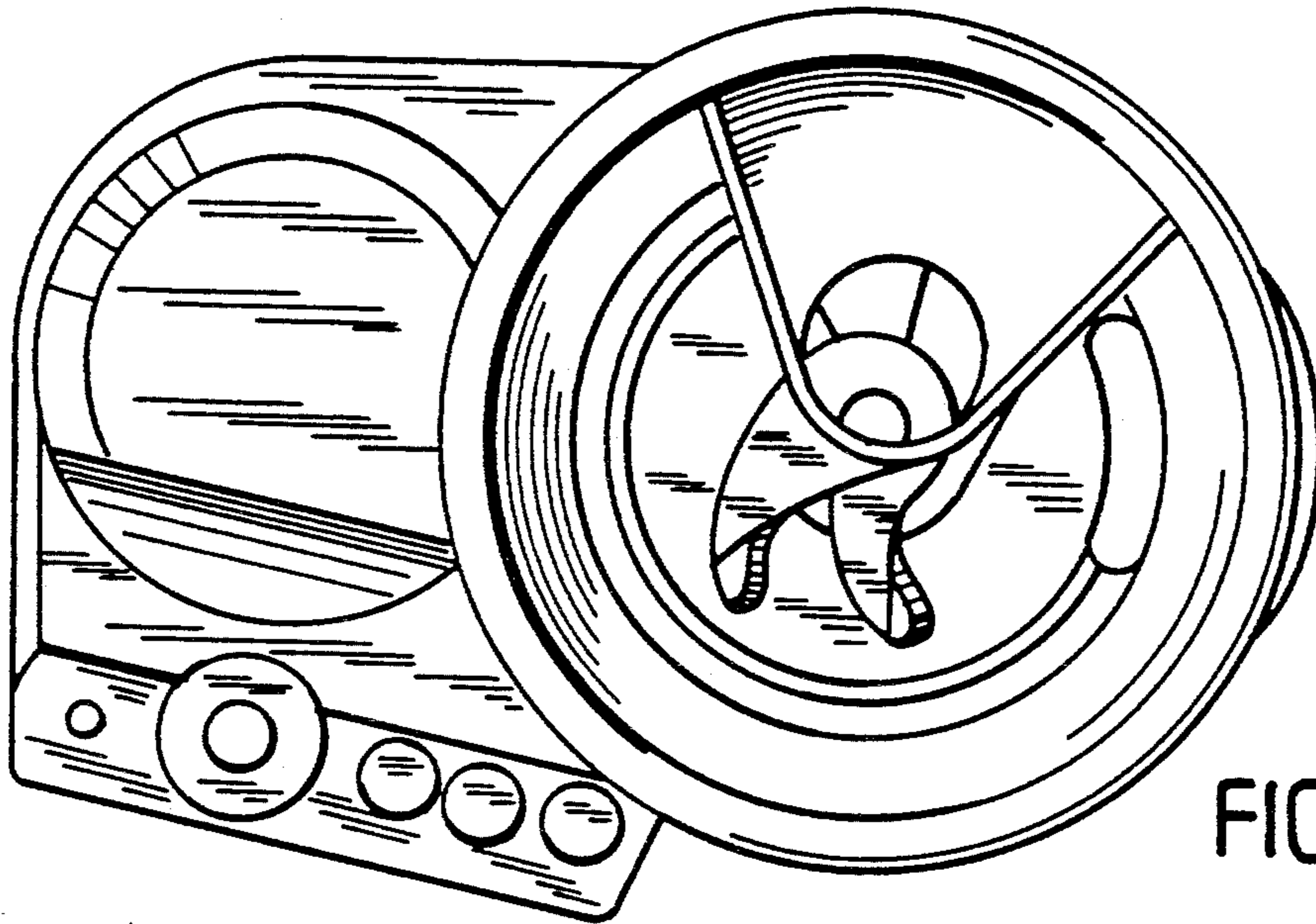


FIG. 3

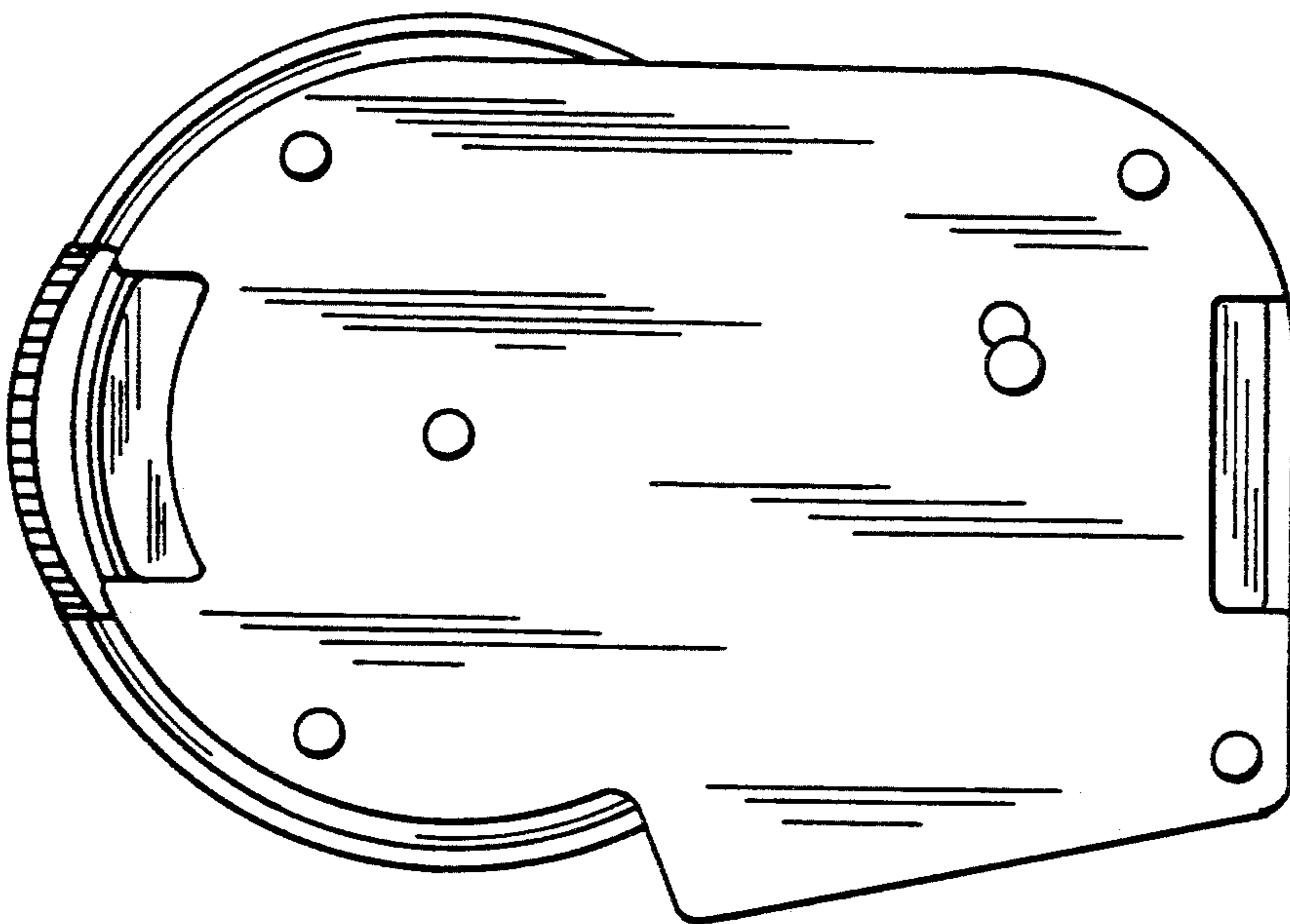


FIG. 4

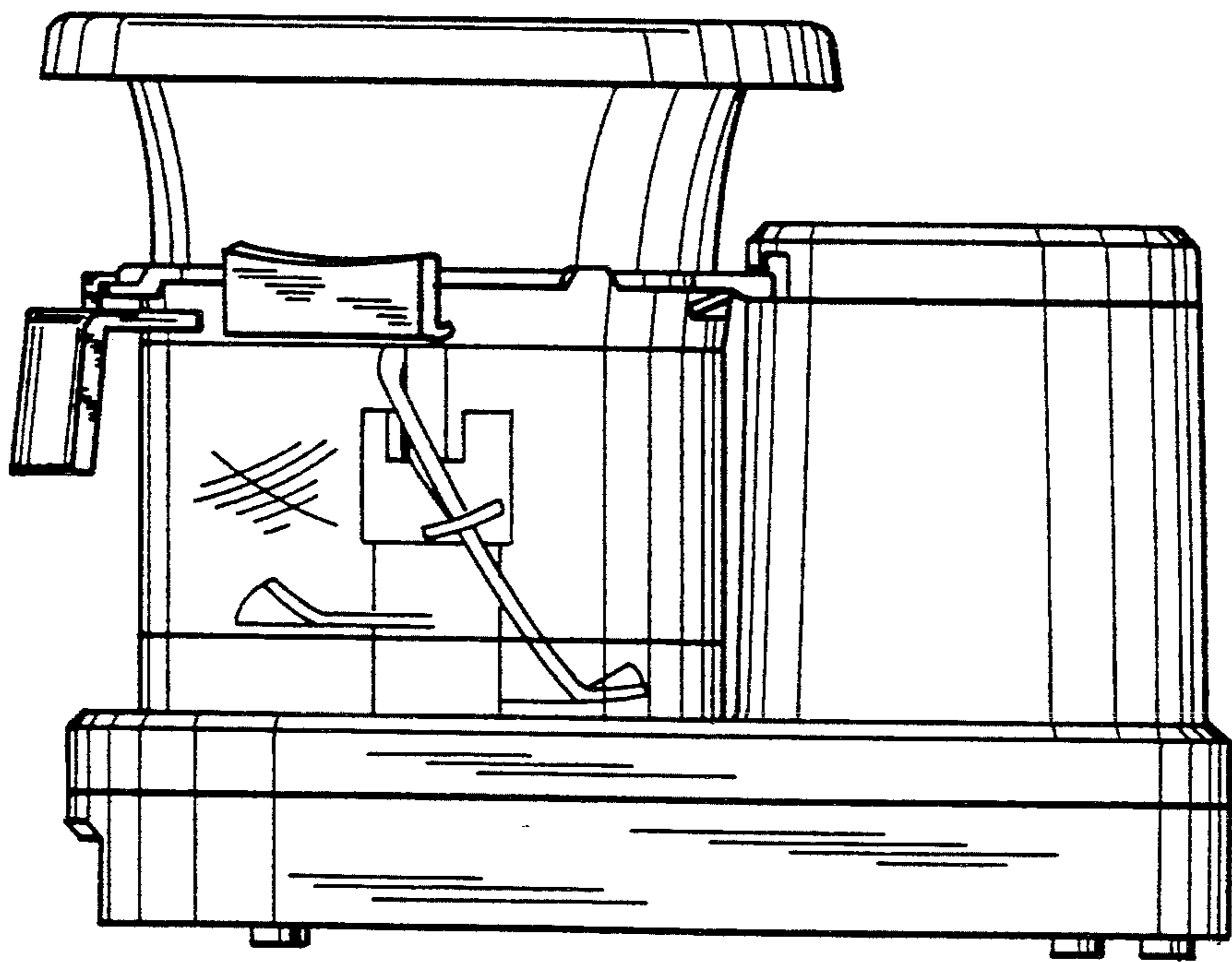


FIG. 5

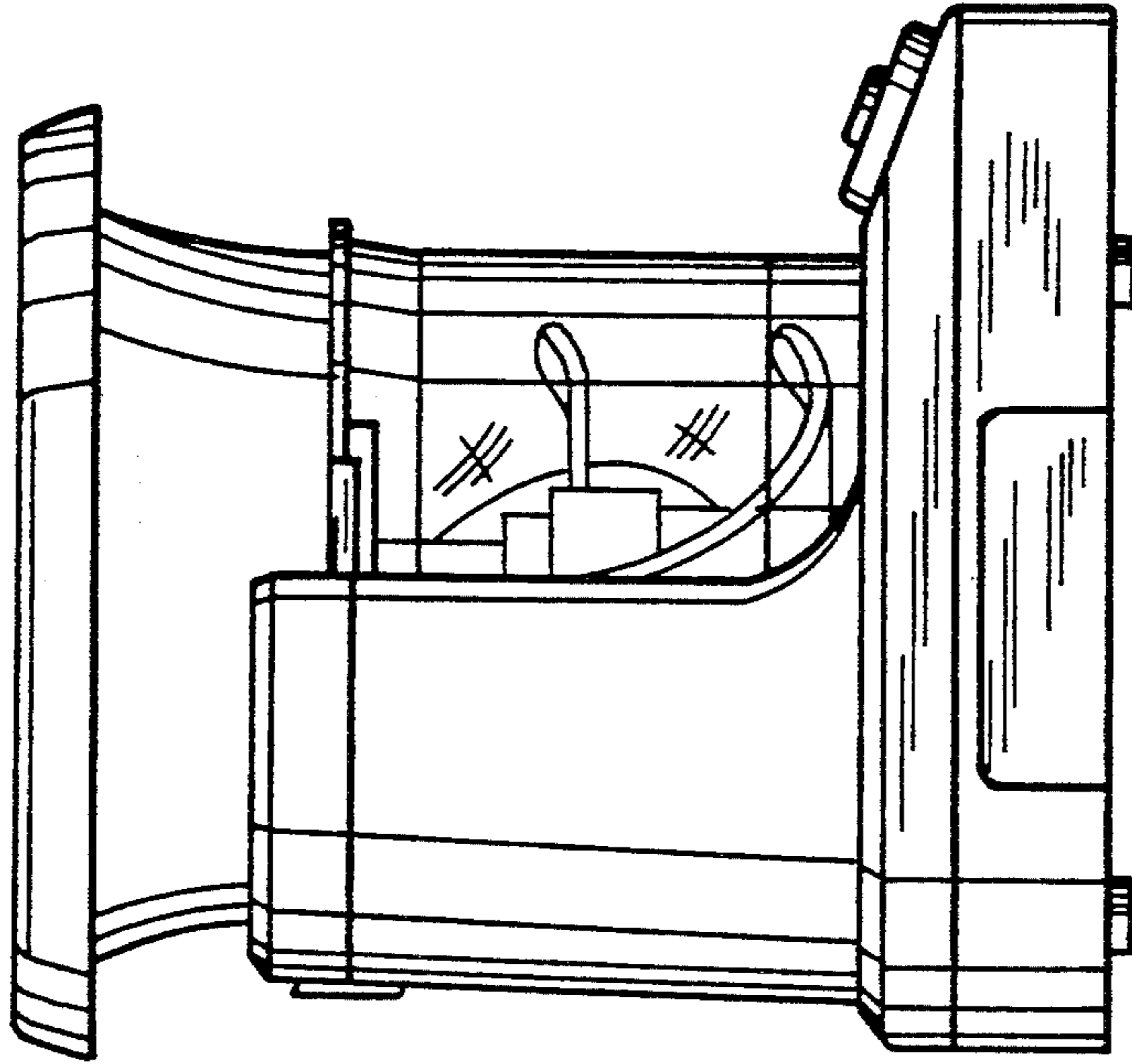


FIG. 7

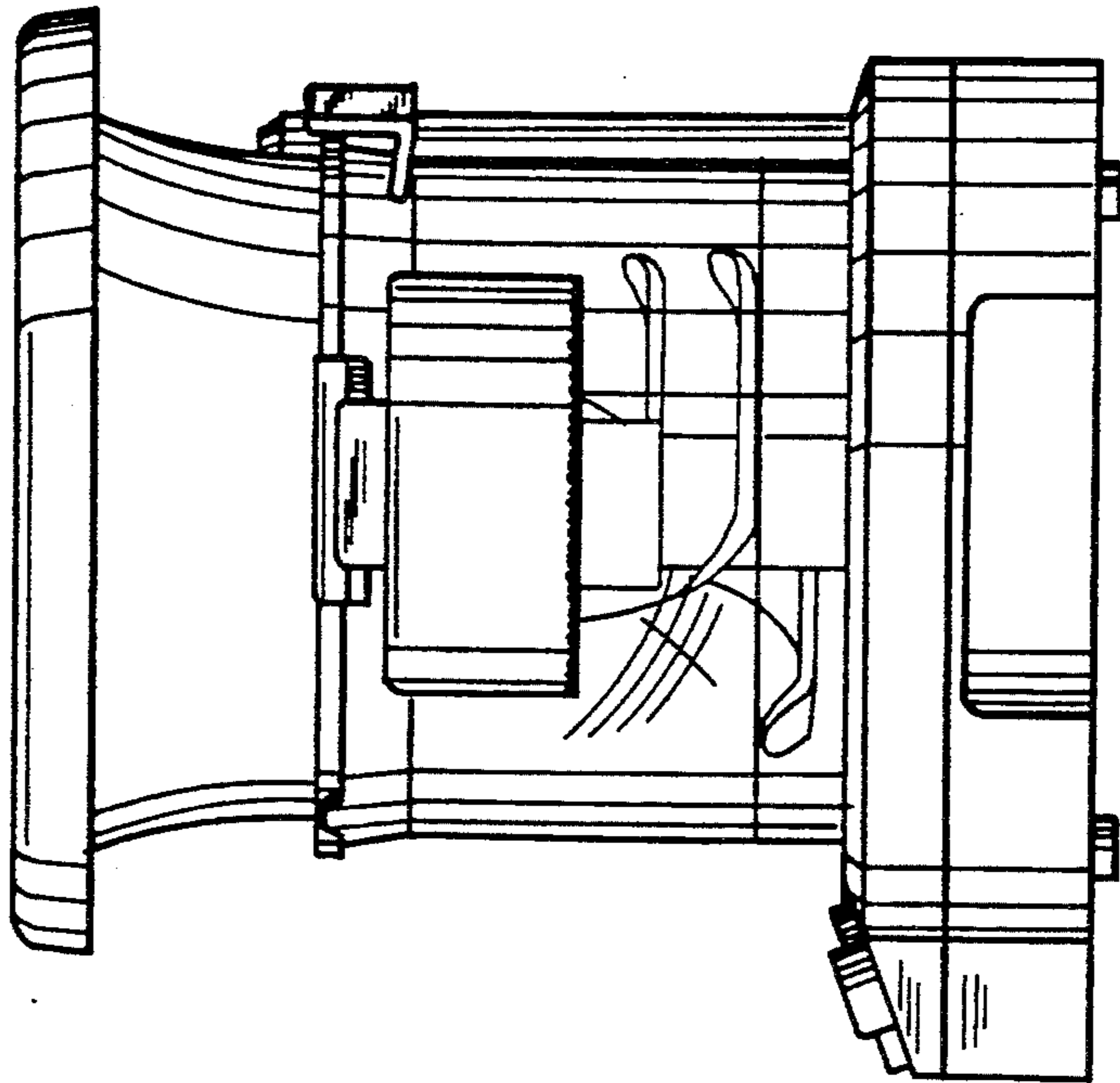


FIG. 6