

[54] DRINKING WATER DISPENSER OR SIMILAR ARTICLE

D. 295,939 5/1988 Dole et al. .... D7/311 X  
D. 296,408 6/1988 Gaunt et al. .... D7/308

[75] Inventor: David B. Chaney, Powell, Ohio

Primary Examiner—Winifred E. Herrmann  
Attorney, Agent, or Firm—Porter, Wright Morris & Arthur

[73] Assignee: EBCO Manufacturing Company, Columbus, Ohio

[\*\*] Term: 14 Years

[57] CLAIM

[21] Appl. No.: 35,153

The ornamental design for a drinking water dispenser or similar article, as shown and described.

[22] Filed: Apr. 6, 1987

DESCRIPTION

[52] U.S. Cl. .... D7/308; D7/311

[58] Field of Search ..... D7/305, 306, 307, 311, D7/308, 309; D15/79, 80-82, 88; D20/4

FIG. 1 is a top, right front perspective view of a drinking water dispenser or similar article, showing my new design;

FIG. 2 is a front elevational view thereof;

FIG. 3 is a rear elevational view thereof;

FIG. 4 is a left side elevational view thereof;

FIG. 5 is a right side elevational view thereof; and

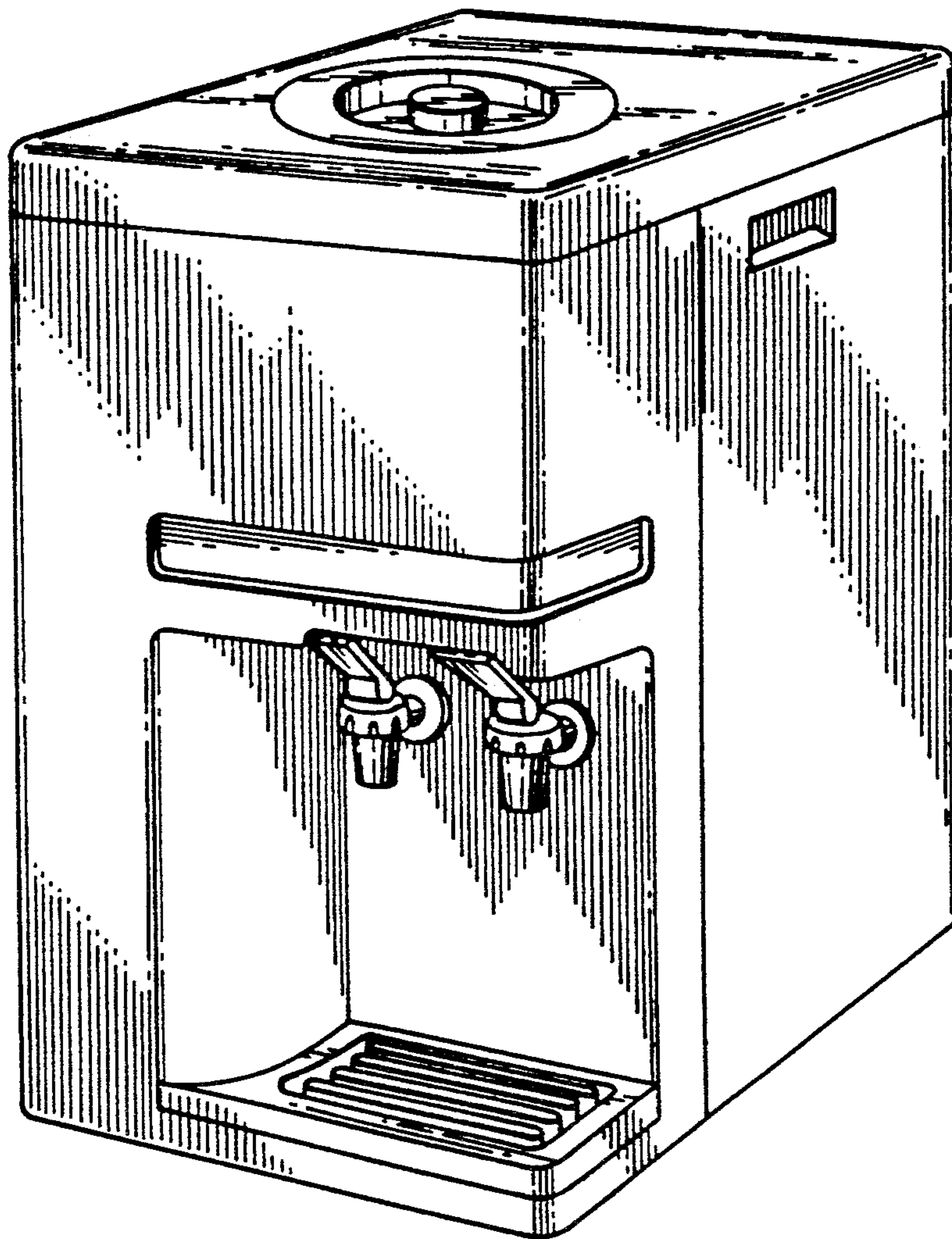
FIG. 6 is a top plan view thereof.

The bottom of the drinking water dispenser or similar article is plain.

[56] References Cited

U.S. PATENT DOCUMENTS

D. 192,846	5/1962	Wildman	.....	D15/82
D. 201,948	8/1965	Skiera	.....	D7/311
D. 245,608	8/1977	Murphy	.....	D7/307
D. 273,654	5/1984	Sedam et al.	.....	D7/307



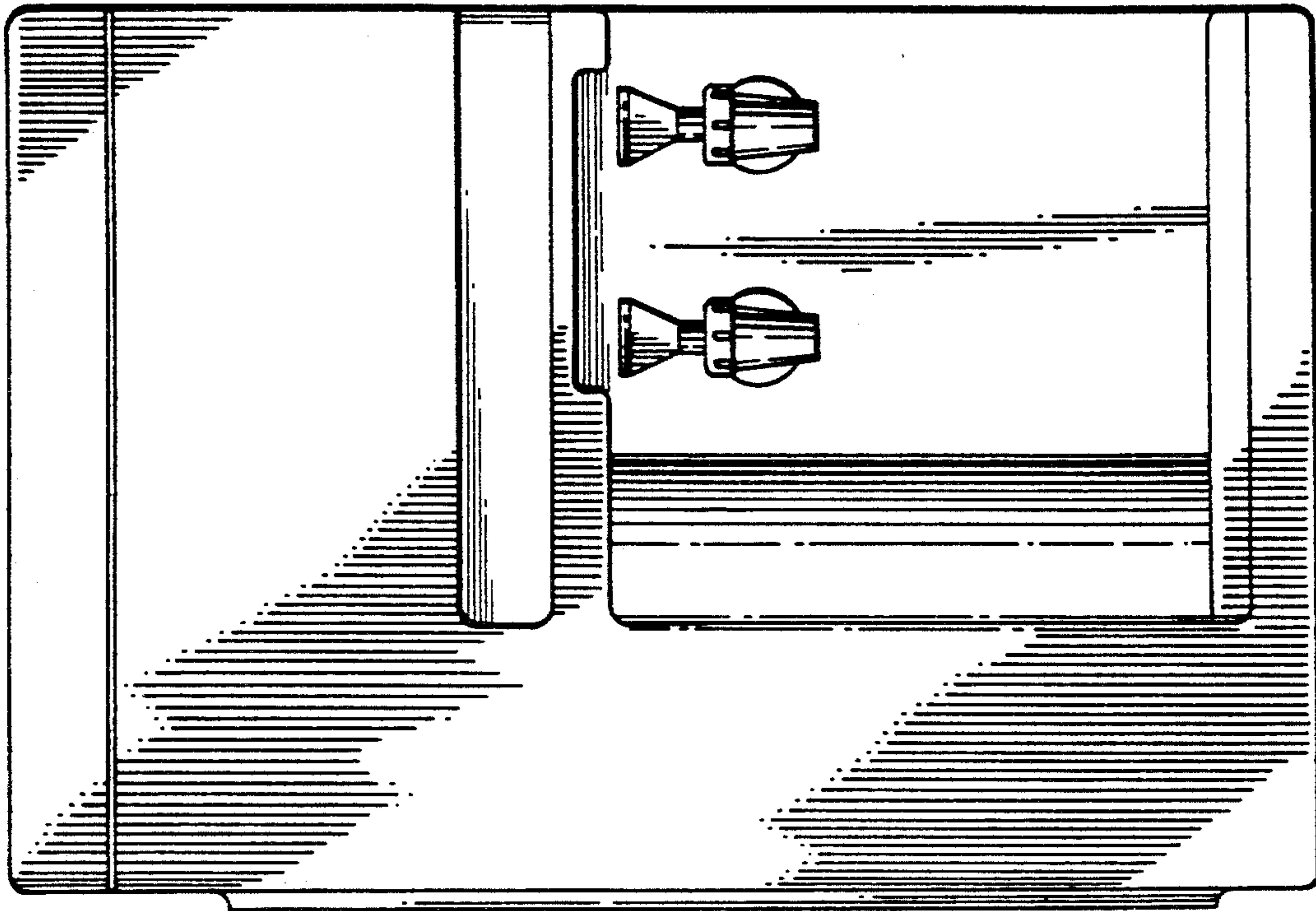


FIG. 2

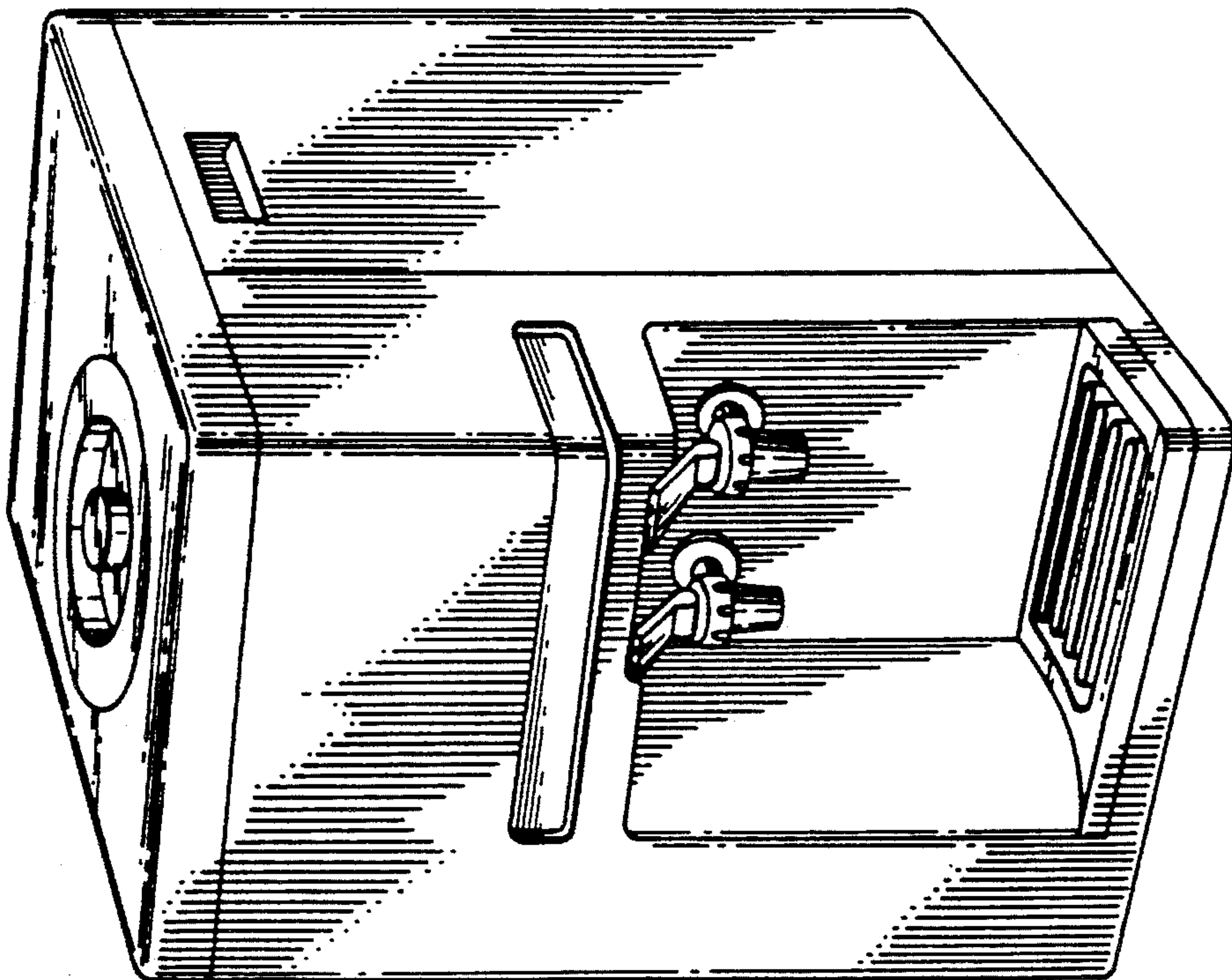


FIG. 1



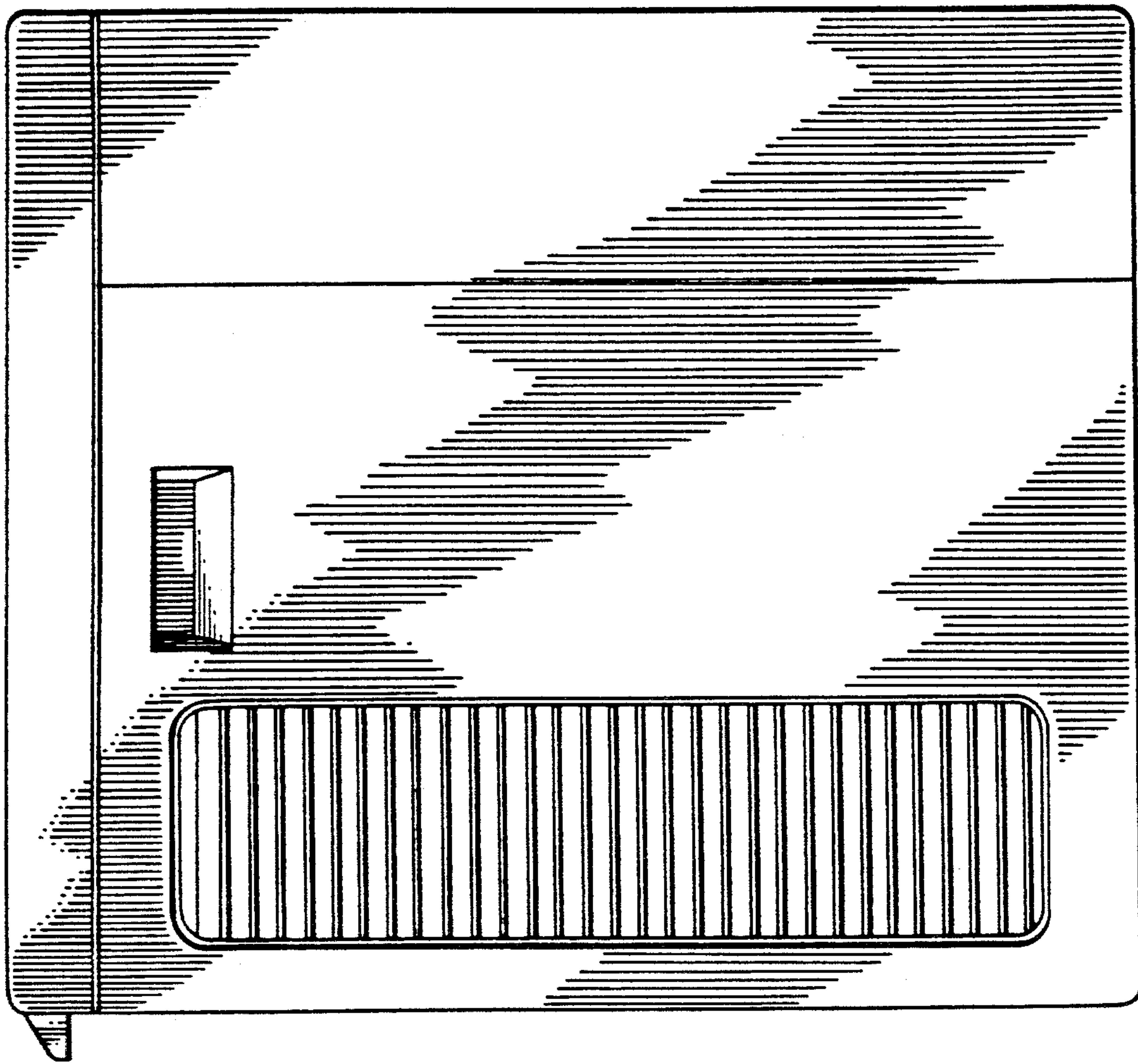


FIG. 4

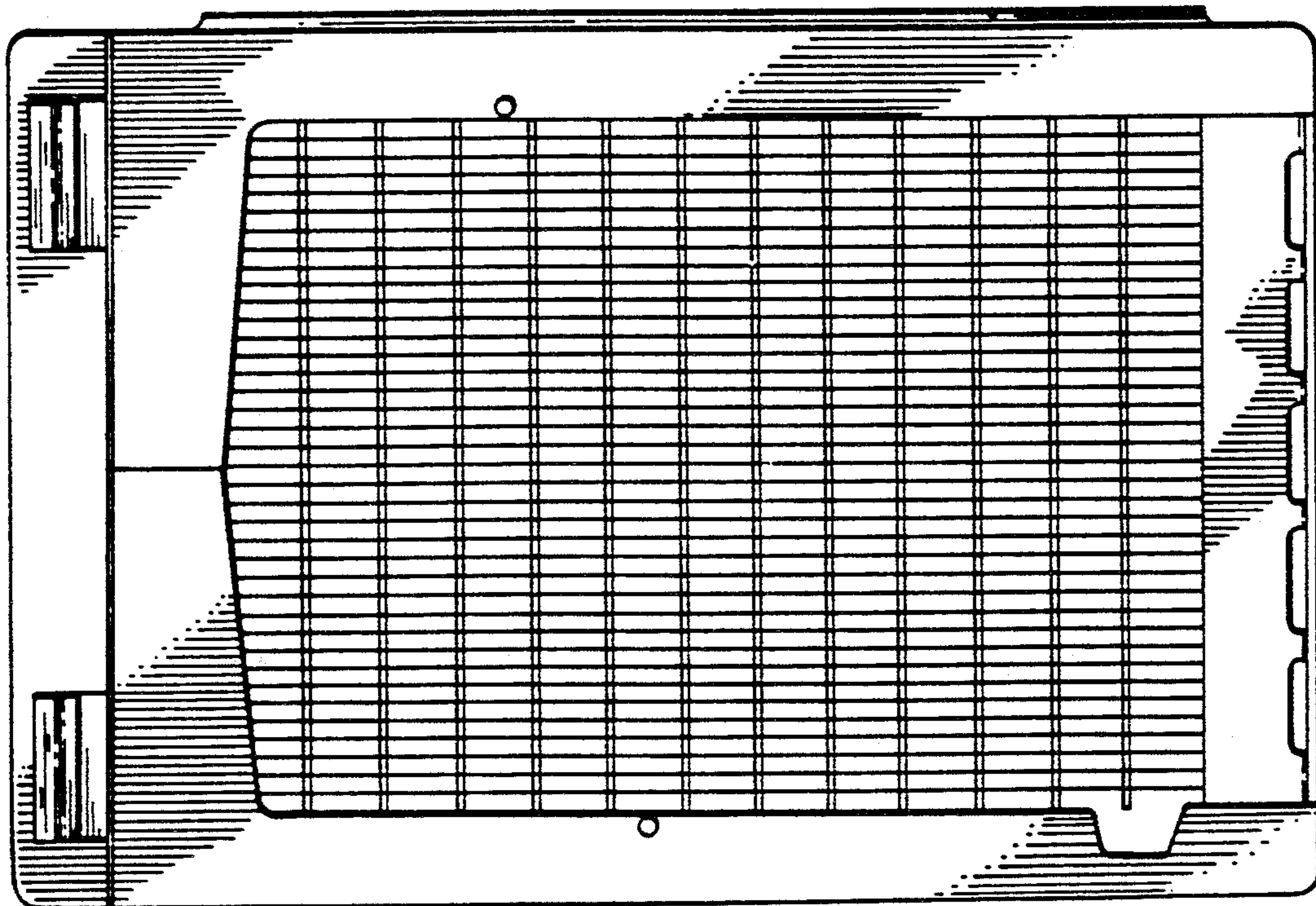


FIG. 3

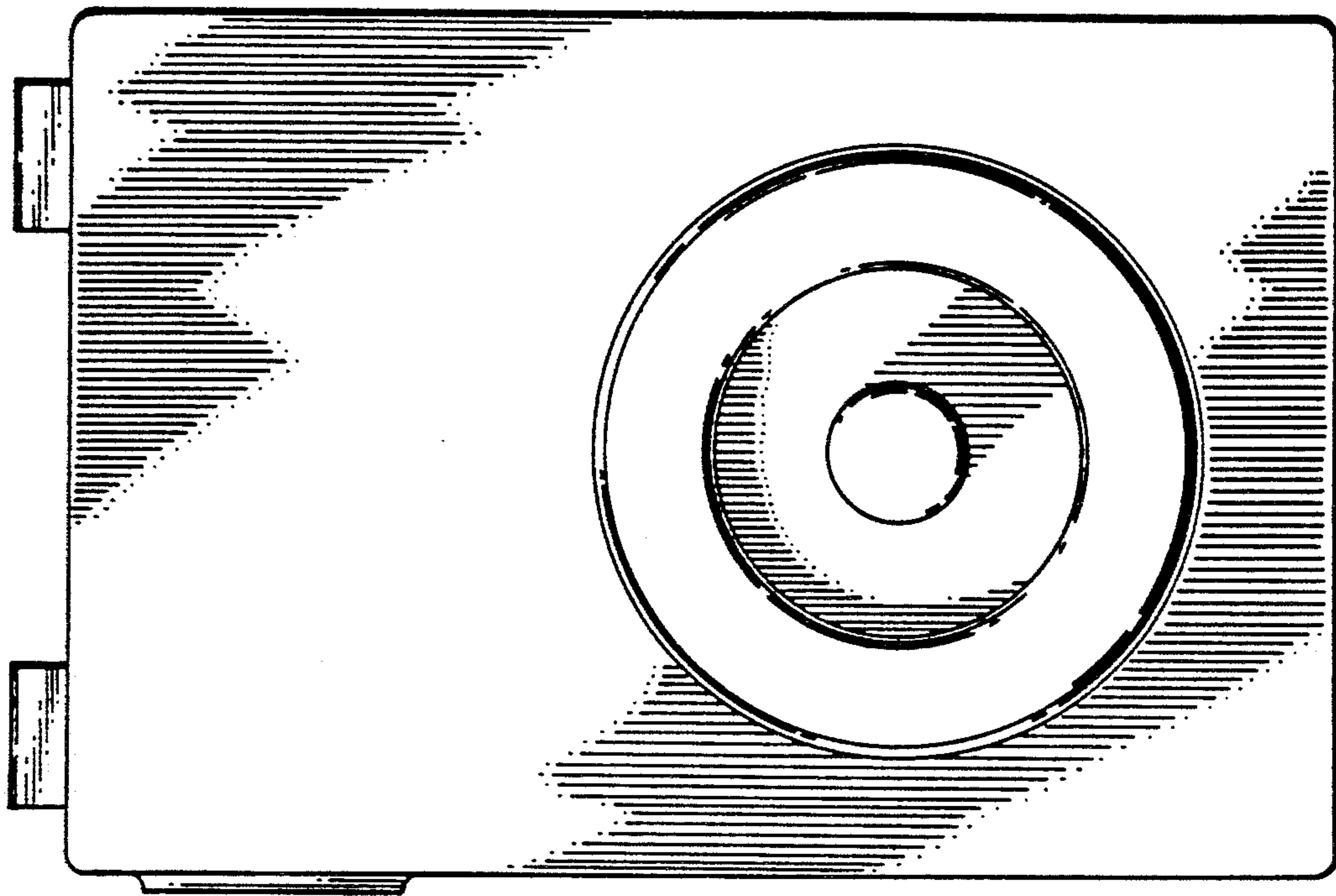


FIG. 6

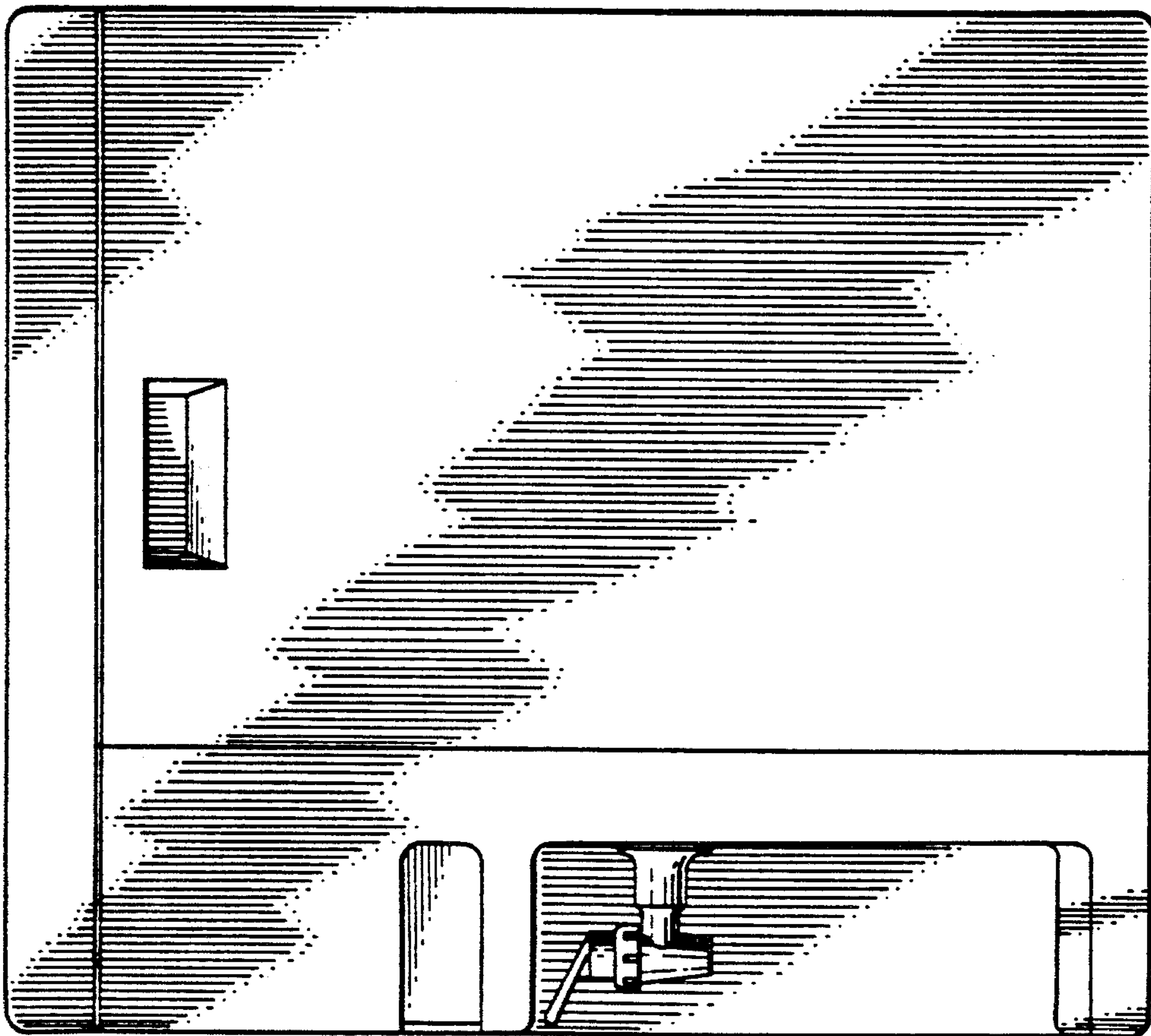


FIG. 5