

[54] MODULES SHELF UNIT

[75] Inventor: Frank A. Friedman, San Francisco, Calif.

[73] Assignee: Herman Miller, Inc., Zeeland, Mich.

[**] Term: 14 Years

[21] Appl. No.: 198,386

[22] Filed: May 25, 1988

[52] U.S. Cl. D6/492; D6/479

[58] Field of Search D6/491-495, D6/511, 500, 509, 461, 470, 407, 479, 559

[56] References Cited

U.S. PATENT DOCUMENTS

- D. 40,166 7/1909 McLean .
- D. 48,027 10/1915 French .
- D. 126,208 11/1940 Johnson et al .
- D. 127,208 11/1940 Johnson et al .
- D. 141,902 7/1945 Marateck D6/559 X
- D. 239,231 3/1976 Cockcroft D6/407
- D. 259,450 6/1981 Veralrud D6/407 X

- D. 278,112 3/1985 Stanten D6/470 X
- 2,011,962 8/1935 Wheatley 217/8

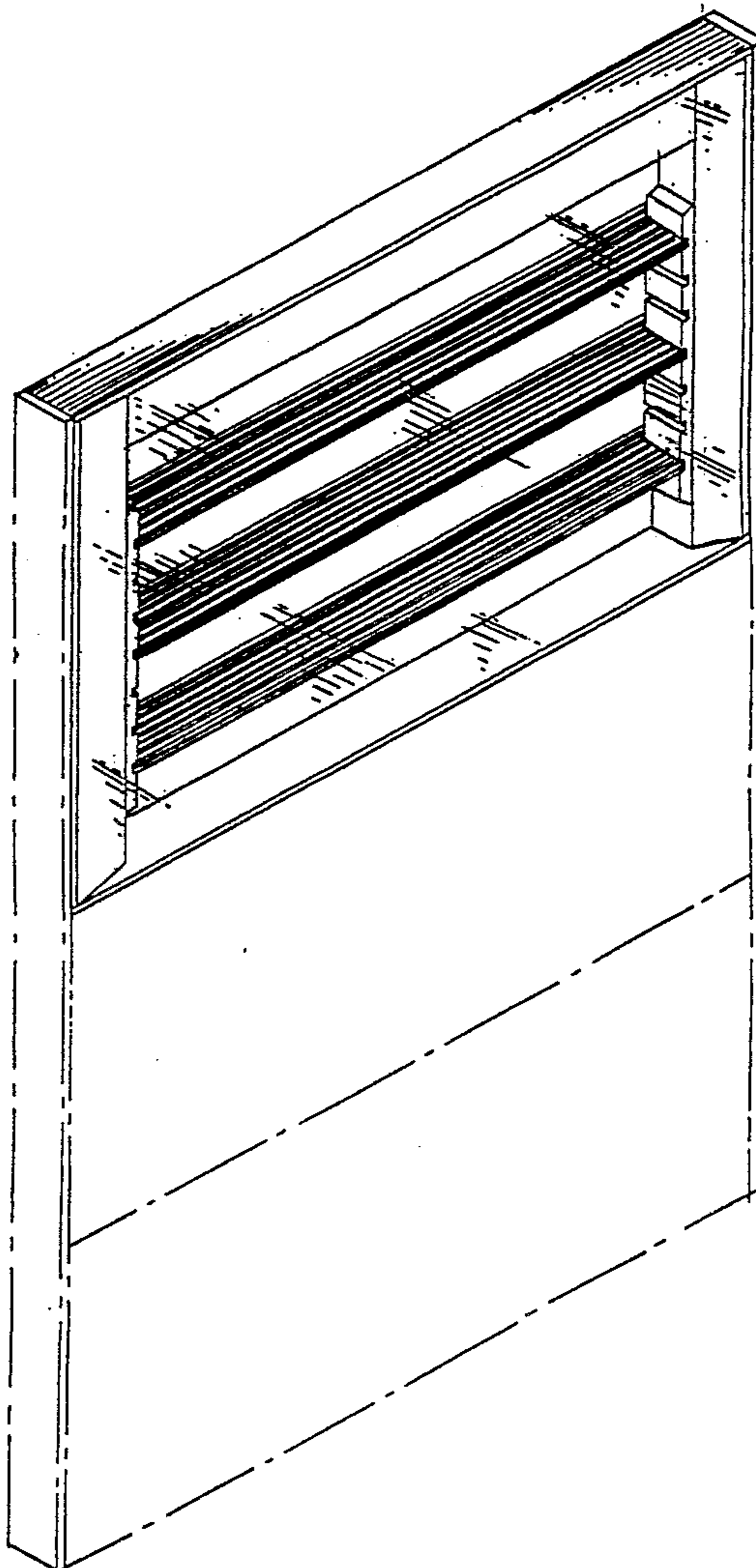
Primary Examiner—Bruce W. Dunkins
Assistant Examiner—Janice E. Seeger
Attorney, Agent, or Firm—Varnum, Riddering, Schmidt & Howlett

[57] CLAIM

The ornamental design for a modular shelf unit, as shown and described.

DESCRIPTION

FIG. 1 is a perspective view of a modular shelf unit, showing my new design; the broken lines are for illustrative purposes only;
FIG. 2 is a rear perspective view thereof;
FIG. 3 is a cross-sectional view thereof taken along lines 3—3 of FIG. 2;
FIG. 4 is a right-side elevational view thereof, with the left-side elevational view being a mirror image thereof; and
FIG. 5 is a top plan view, the bottom plan being a mirror image thereof.



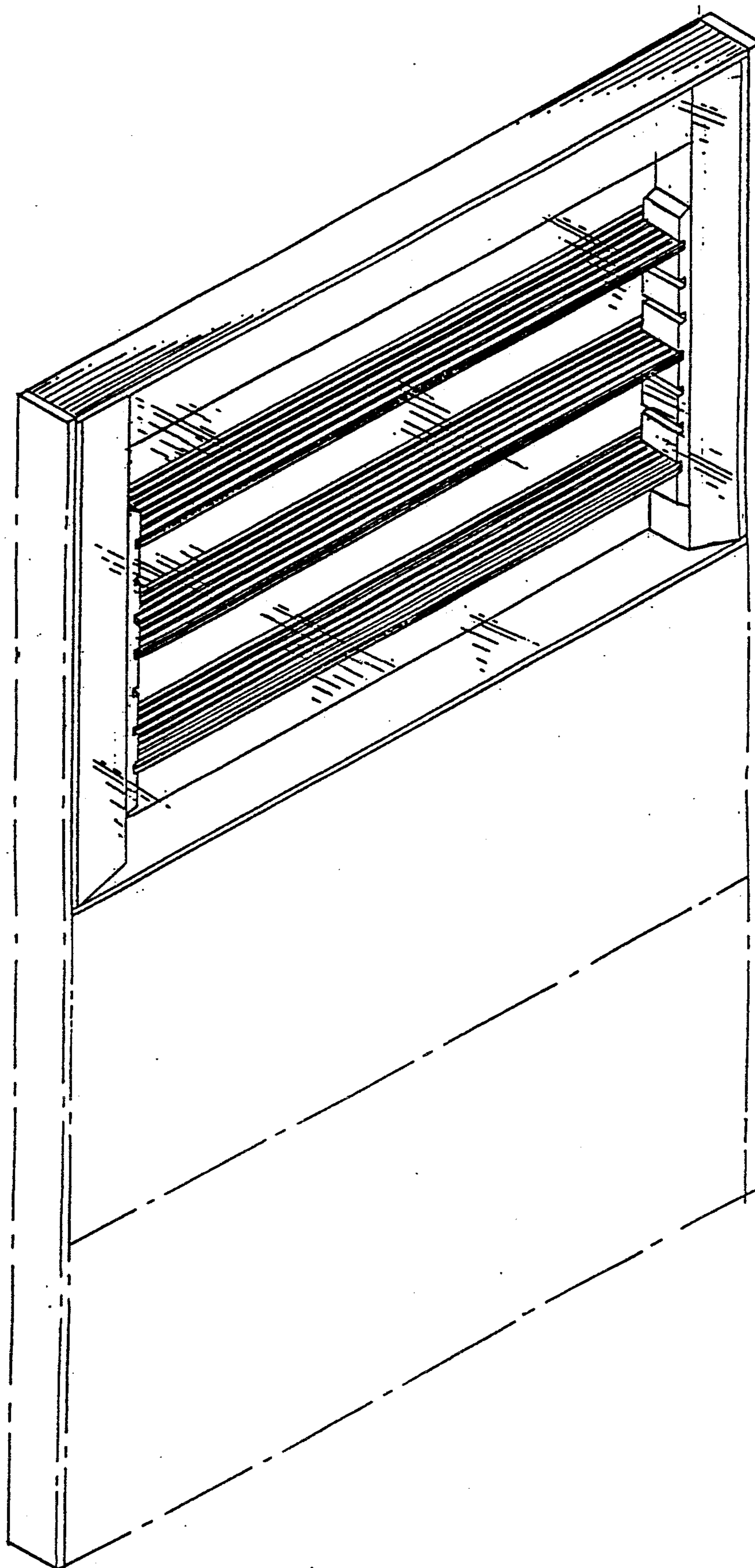


FIG. 1

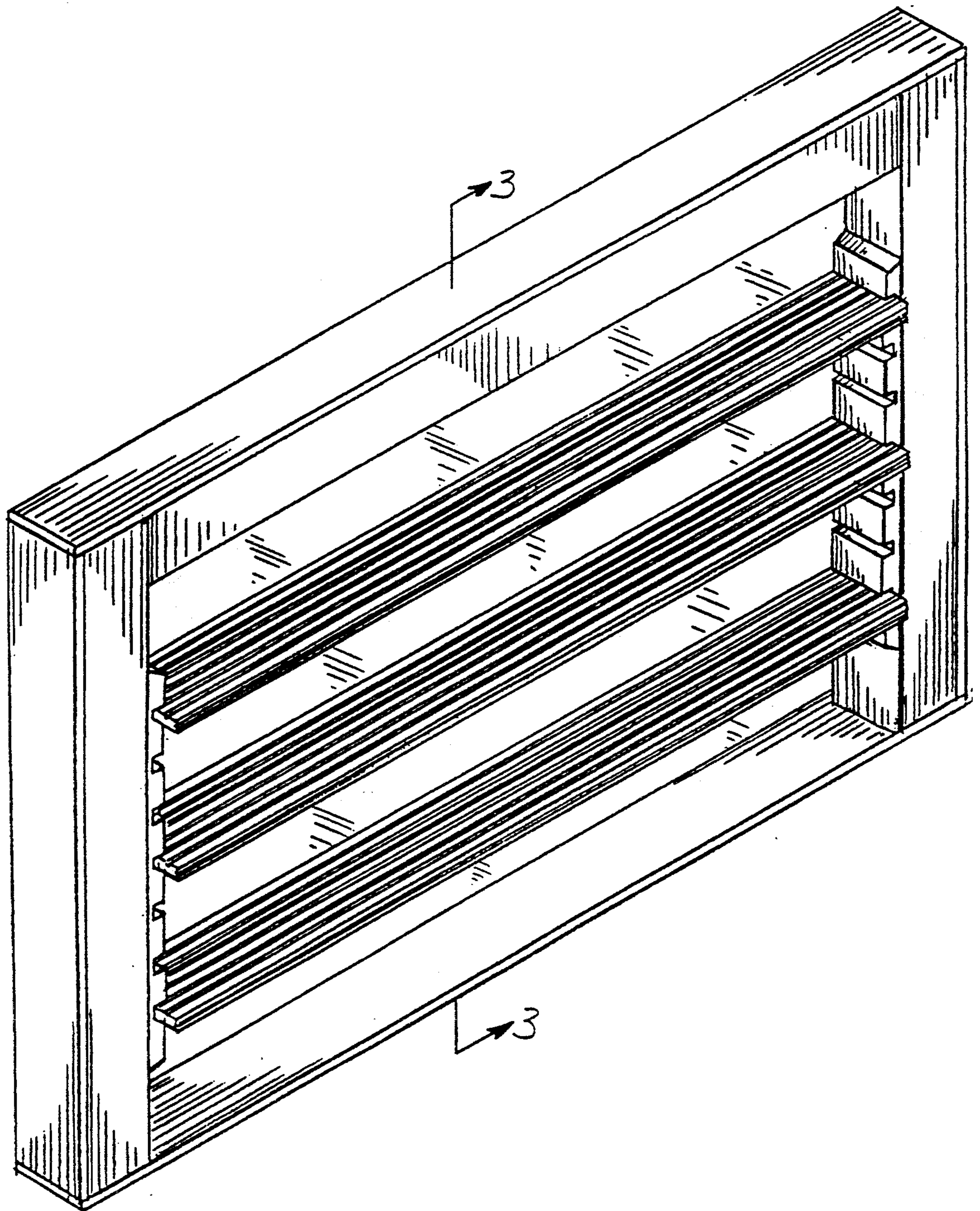


FIG-2

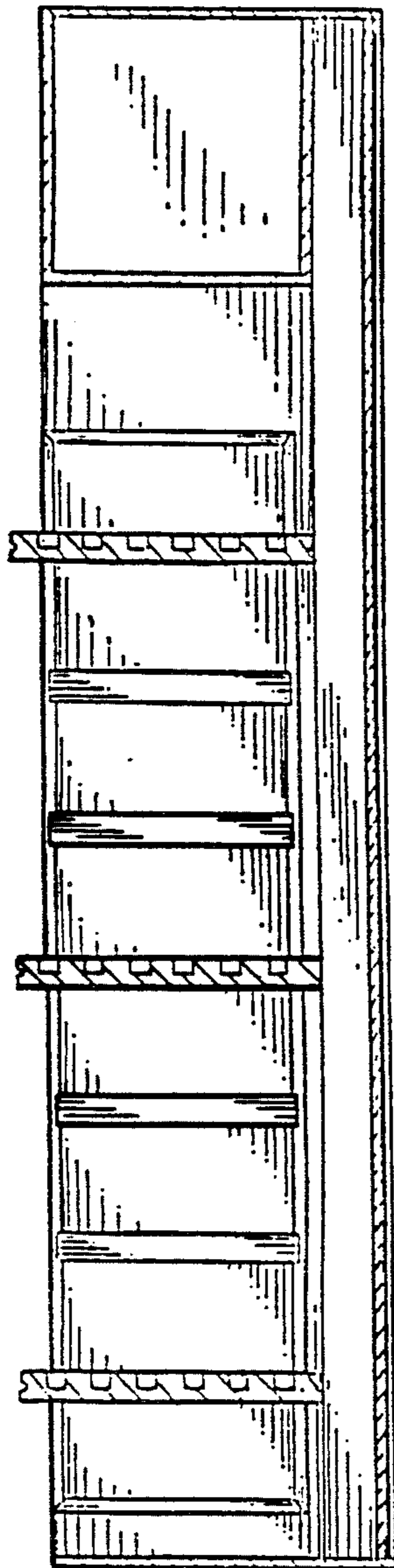


FIG. 3

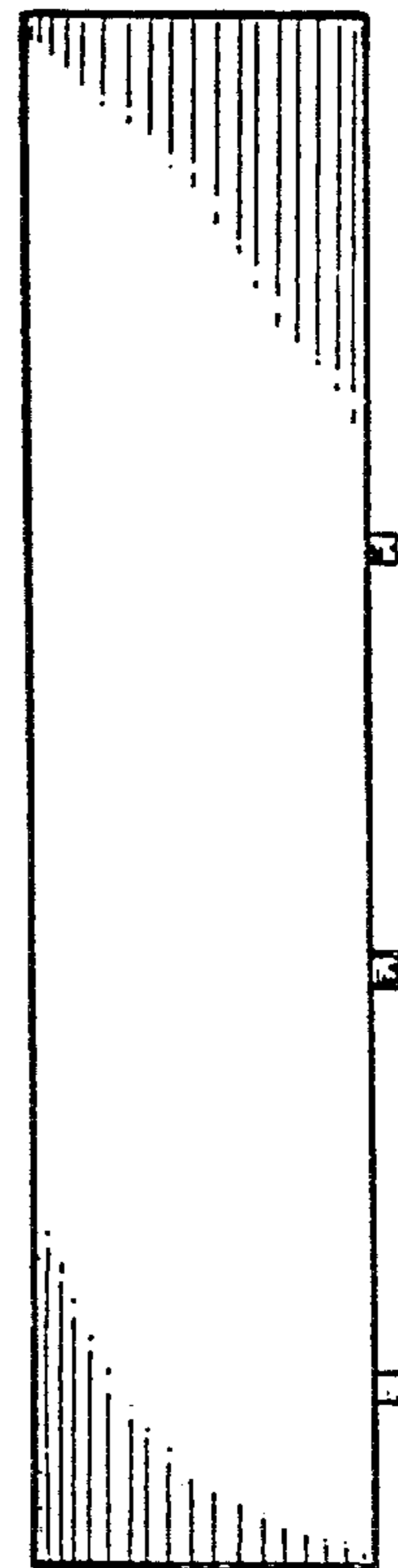


FIG. 4

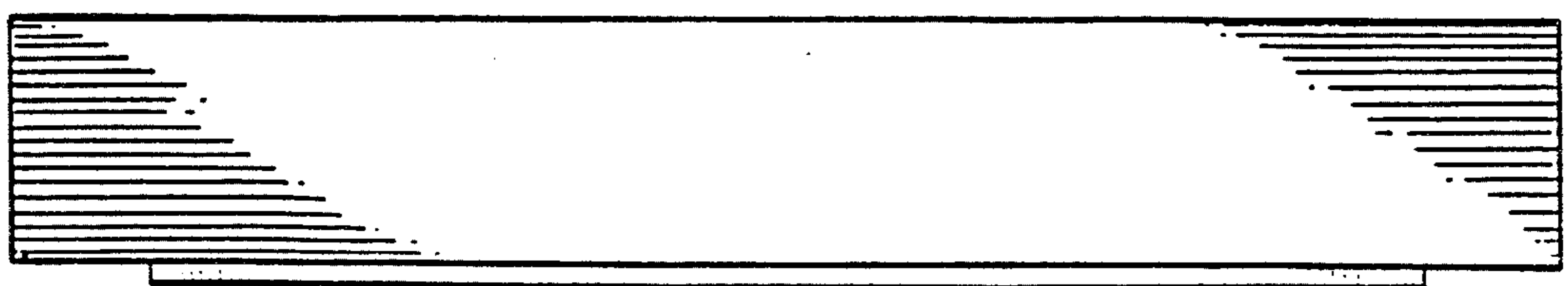


FIG. 5