

[54] DISPLAY CASE

[75] Inventor: Marvin D. Blum, St. Louis, Mo.

[73] Assignee: American Design Group, Inc., St. Louis, Mo.

[**] Term: 14 Years

[21] Appl. No.: 307,980

[22] Filed: Feb. 9, 1989

D. 264,029	4/1982	Smith	D6/429
D. 268,368	3/1983	Moss	D6/471
D. 272,701	2/1984	Doyel	D6/314
1,984,138	12/1934	Kennedy	312/118
2,631,912	3/1953	Pryor, Jr.	312/139.1
3,877,766	4/1975	Seebald	206/455 X
4,273,616	6/1981	Radtke	D6/310 X
4,460,095	7/1984	Kessler et al.	D6/471 X
4,674,139	6/1987	Walker	211/88 X

Primary Examiner—Bruce W. Dunkins
Assistant Examiner—Monica A. Hannon
Attorney, Agent, or Firm—Paul M. Denk

Related U.S. Application Data

[63] Continuation-in-part of Ser. No. 879,615, Jun. 27, 1986, Pat. No. Des. 300,394.

[52] U.S. Cl. D6/472; D6/396; D6/411; D6/448

[58] Field of Search D6/472, 206, 310, 312, D6/314, 396, 398, 407, 400, 411-415, 418, 420, 429, 432, 436, 471-473; D3/35; 206/44 B, 215, 556; 211/50, 88, 69.9; 312/118, 114, 139, 117

[57] CLAIM

The ornamental design for a display case, as shown and described.

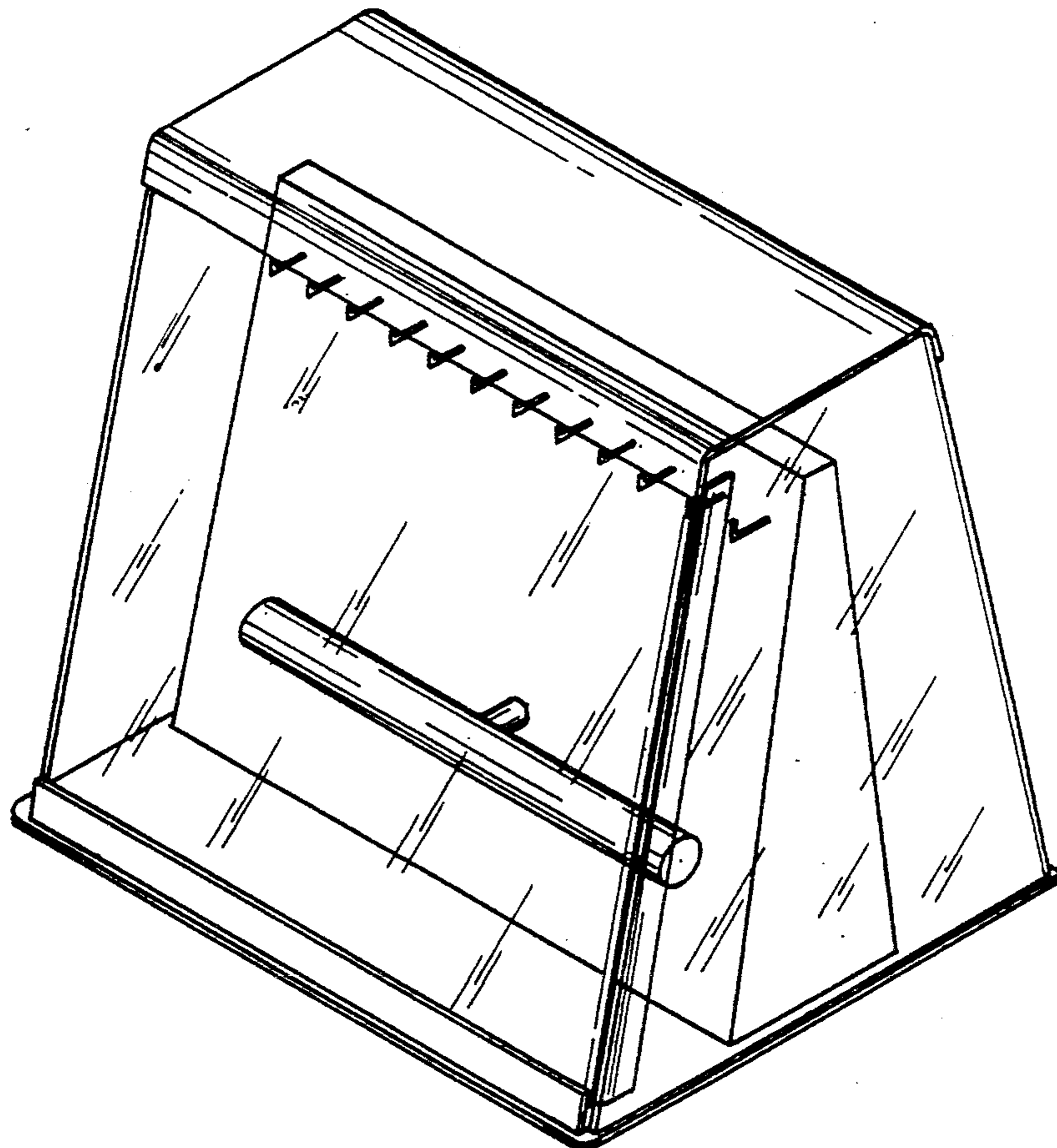
DESCRIPTION

FIG. 1 is an isometric view of the display case showing our new design;
FIG. 2 is a top plan view thereof;
FIG. 3 is a front elevational view, the rear view being a mirror image thereof;
FIG. 4 is a right side elevational view of the display, the left side being a mirror image thereof;
FIG. 5 is a bottom plan view thereof;
FIG. 6 is a front elevational view of a second embodiment, the rear view being a mirror image thereof; and
FIG. 7 is a right side elevational view of FIG. 6, the left side being a mirror image thereof.

[56] References Cited

U.S. PATENT DOCUMENTS

D. 132,015	4/1942	Trojan	D6/471
D. 172,103	5/1954	Malkin	D6/471
201,756	3/1878	Dealy	312/114
D. 277,350	1/1985	Smith	D6/471
D. 282,988	3/1986	Woolard	D6/471
D. 300,394	3/1989	Blum et al.	D6/471



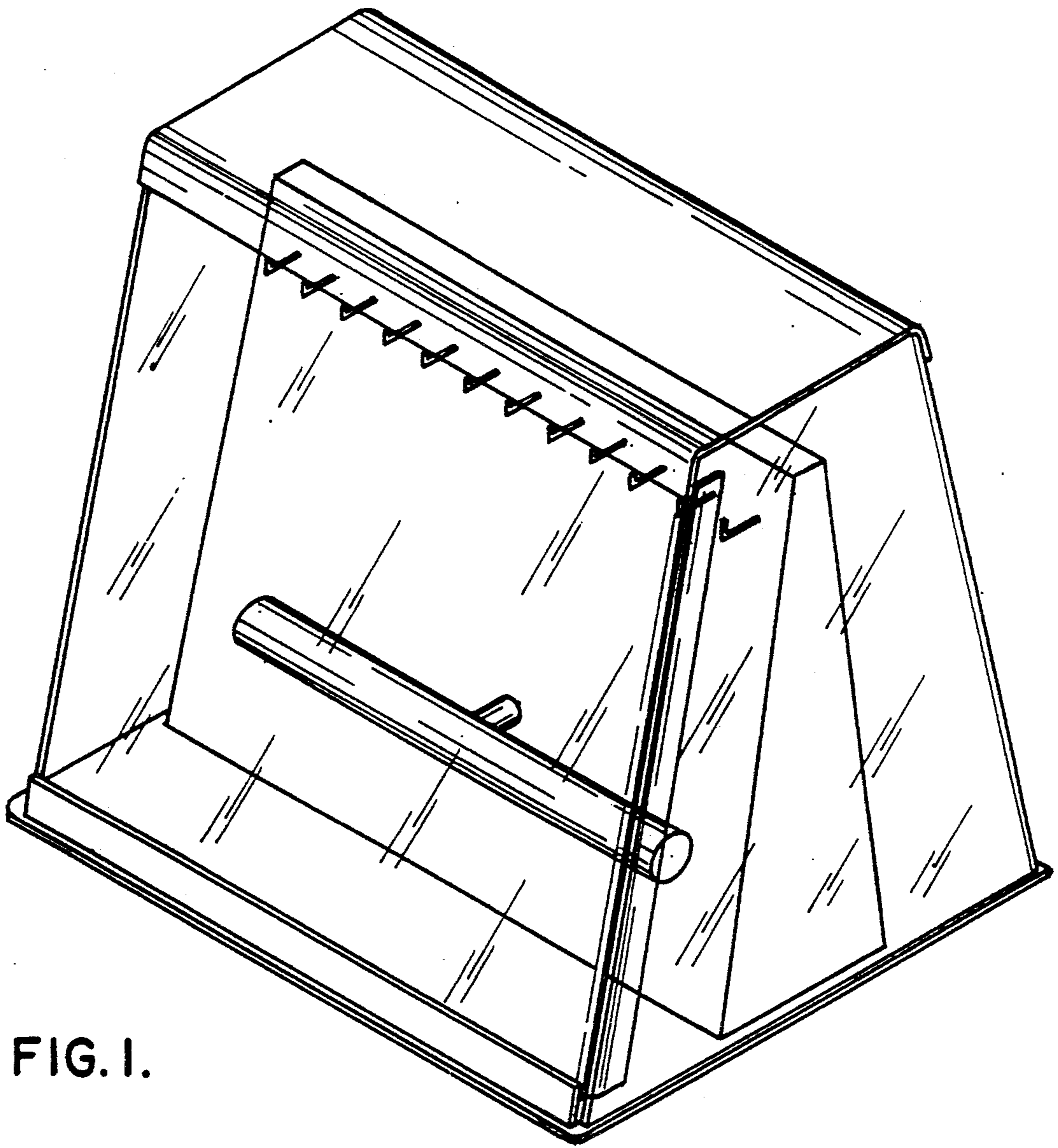


FIG. 1.

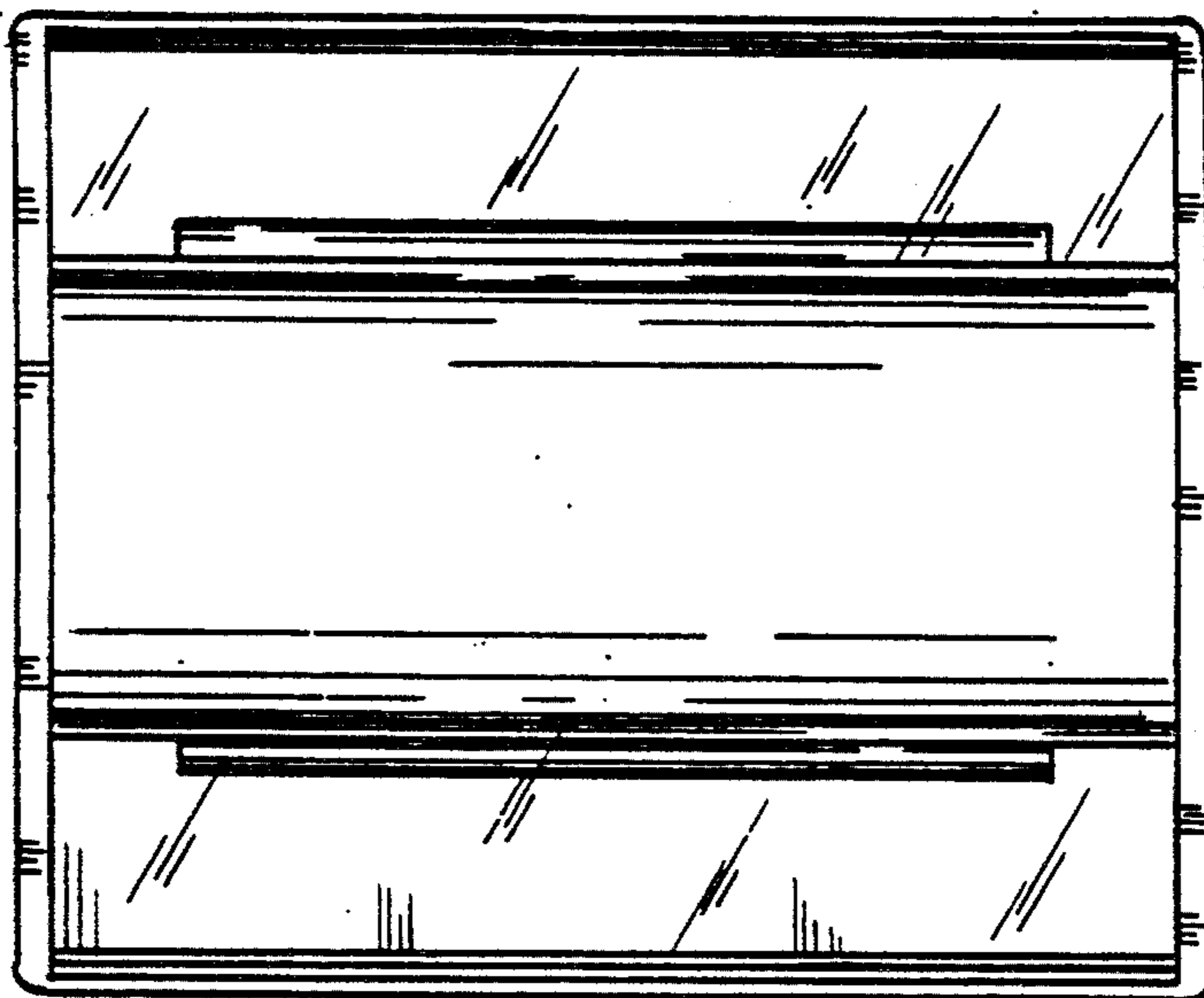


FIG. 2.

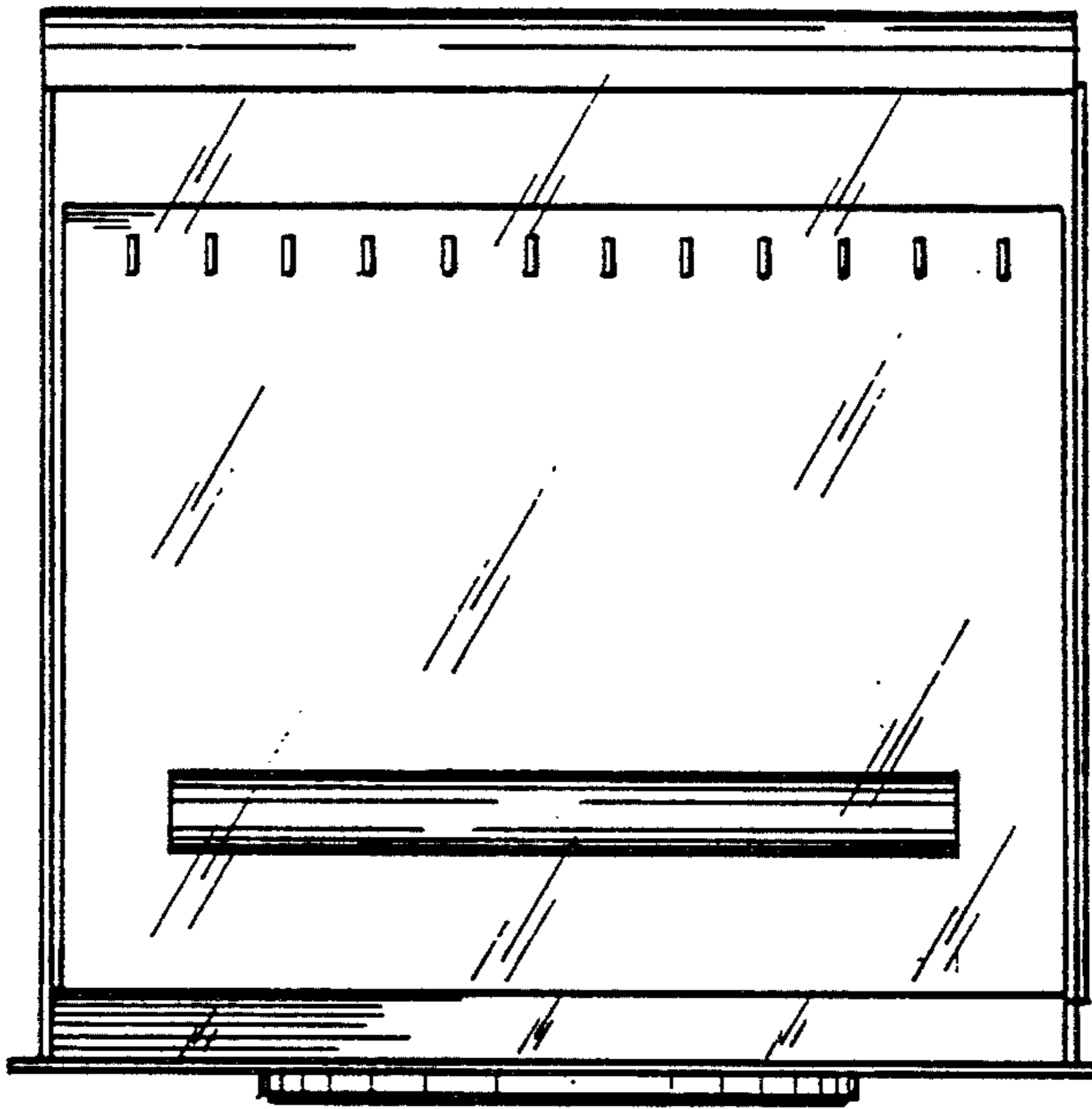


FIG. 3.

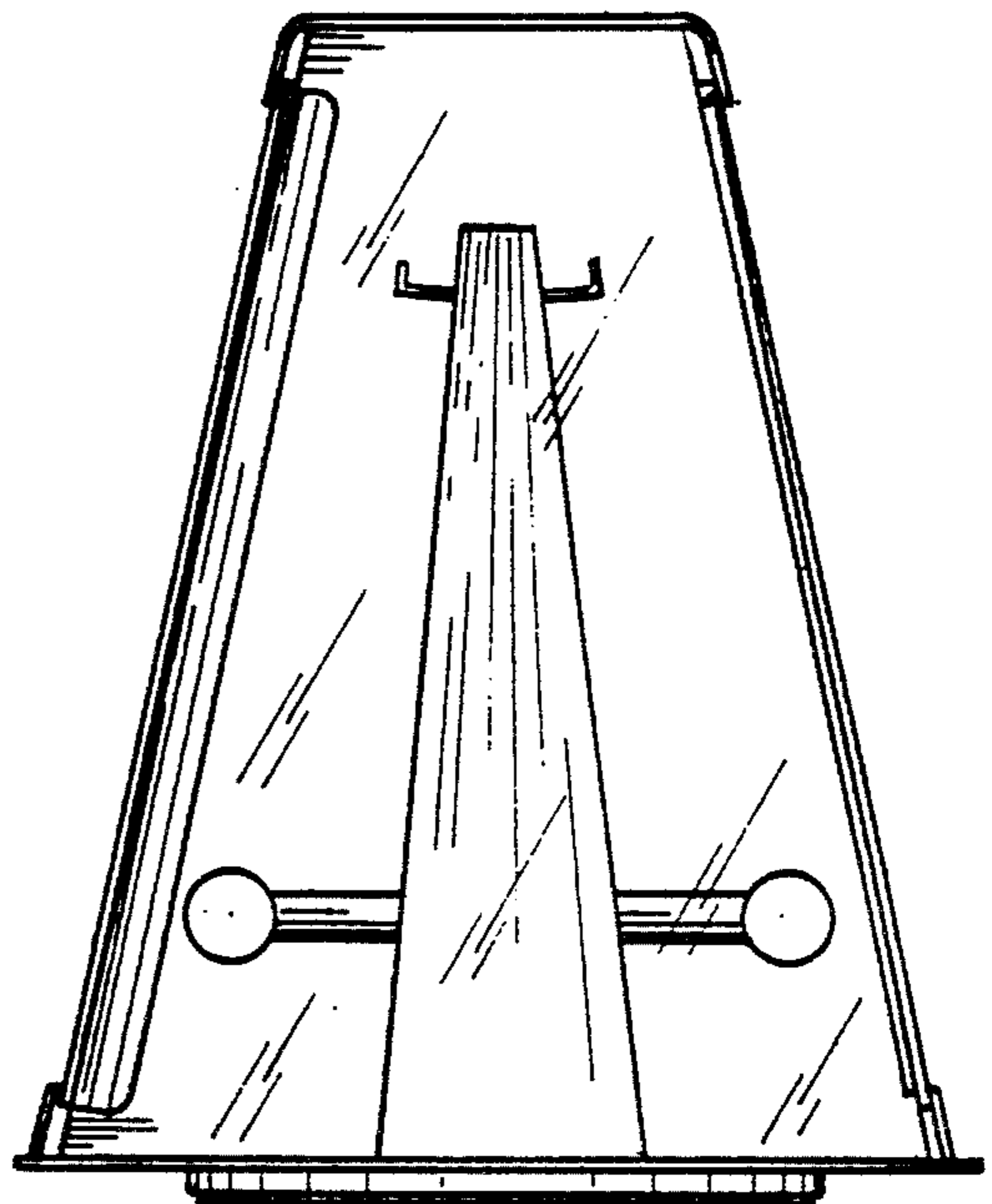


FIG. 4.

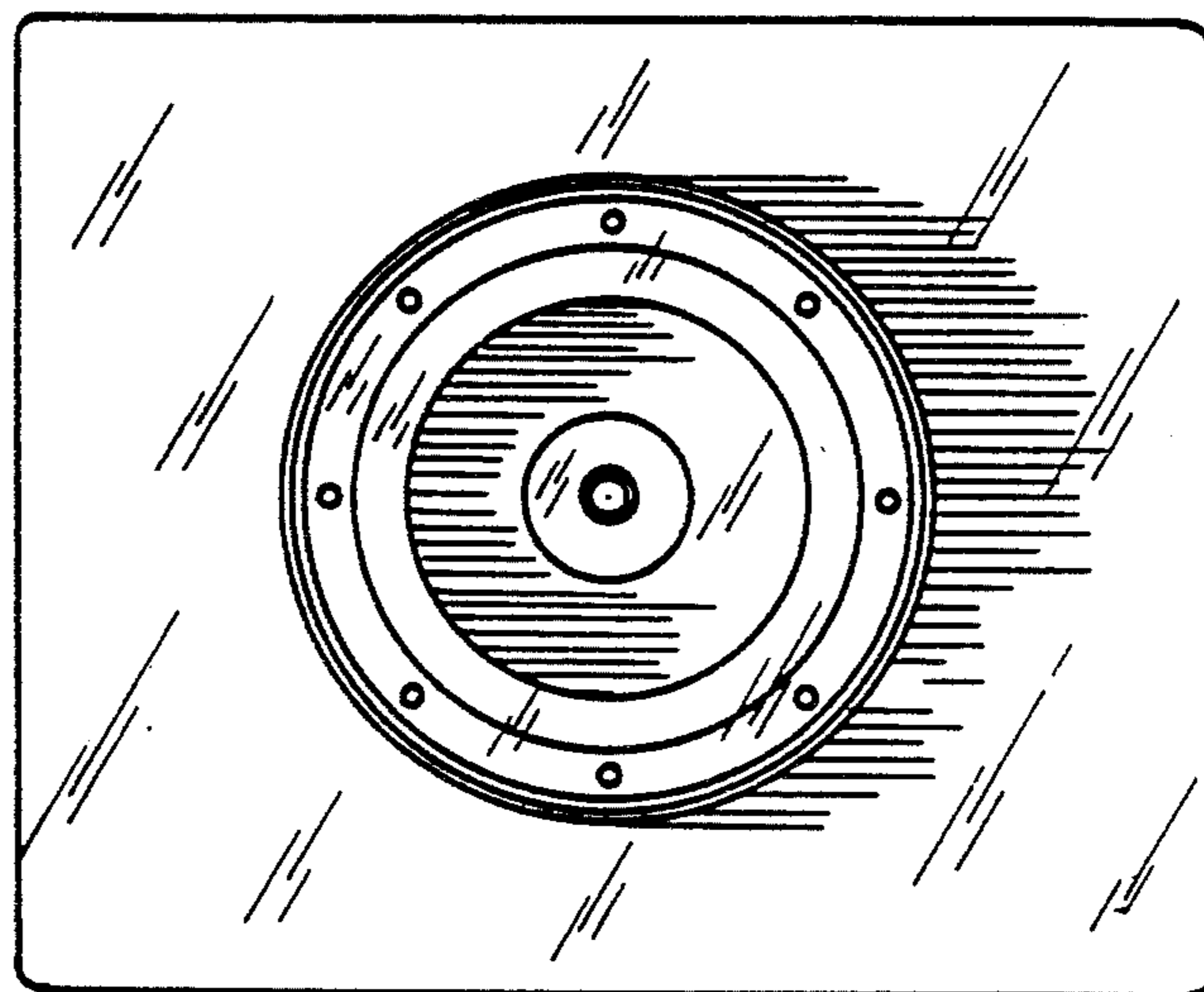


FIG. 5.

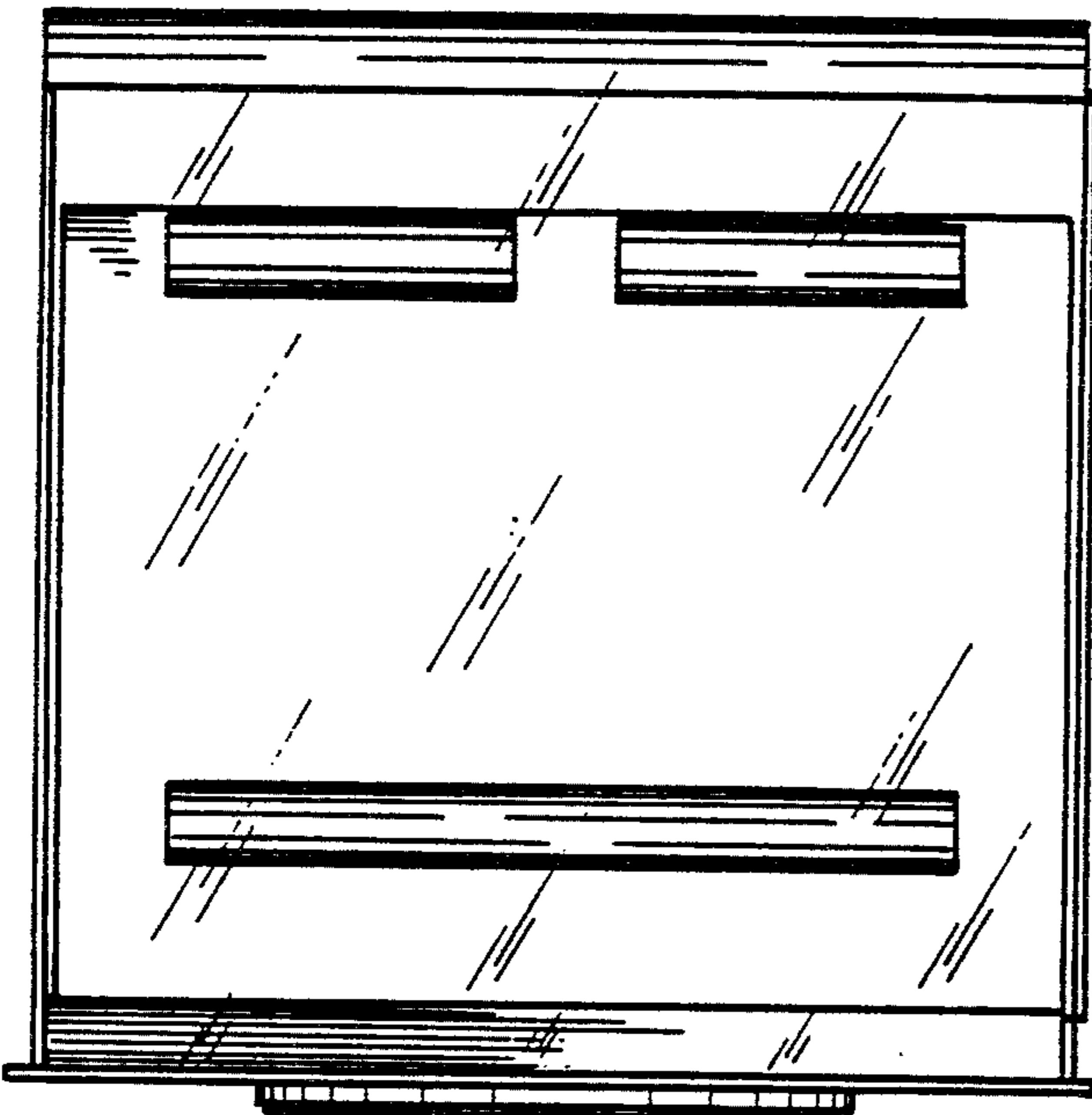


FIG. 6.

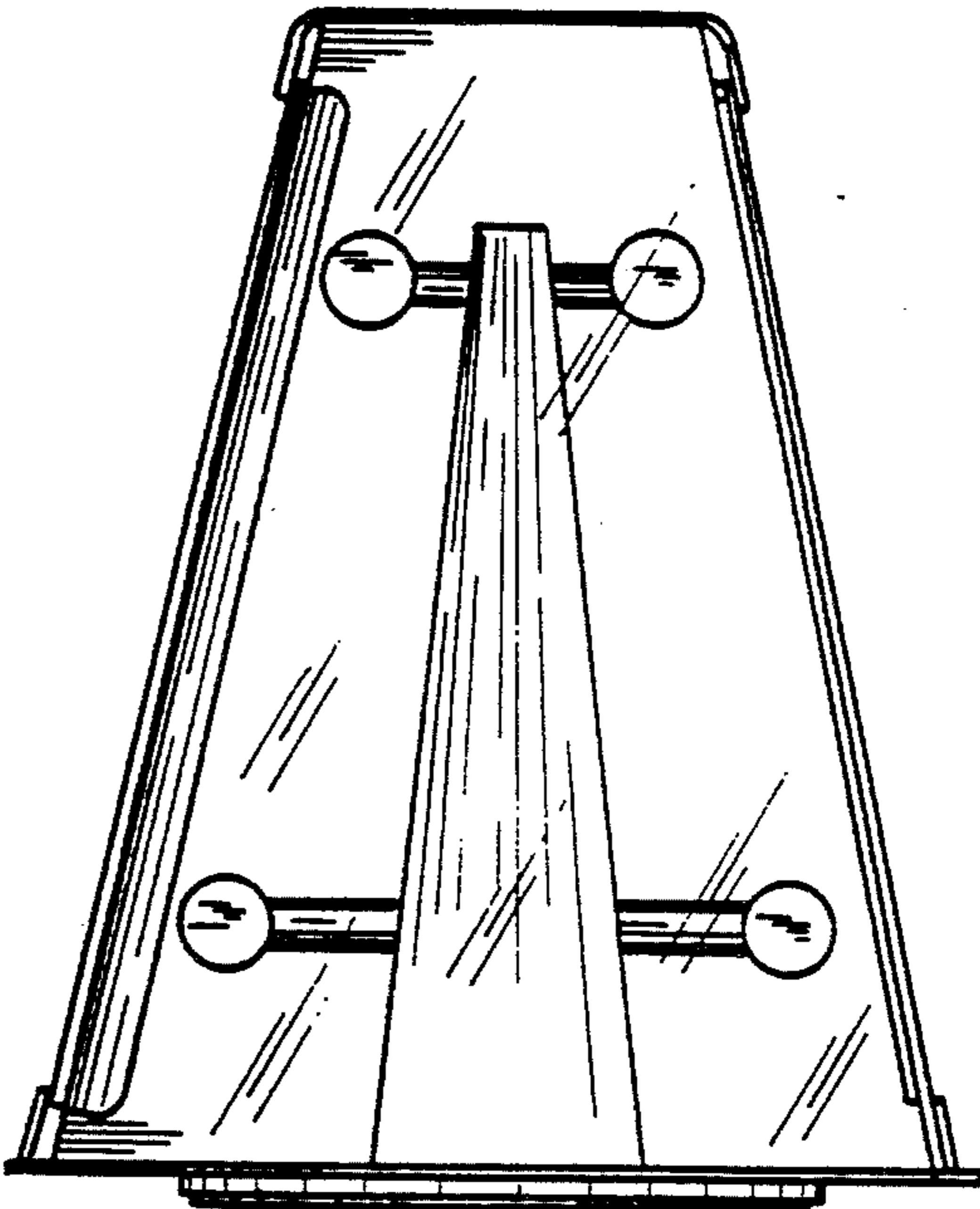


FIG. 7.