

United States Patent [19]

Marvy et al.

[11] Patent Number: **Des. 321,799**

[45] Date of Patent: **** Nov. 26, 1991**

[54] **DISPLAY STAND OR SIMILAR ARTICLE**

[76] Inventors: **James Marvy**, 5810 Salisbury Ave., Minnetonka, Minn. 55345; **Robert W. Heili**, 434 Newton Ave., South, Minneapolis, Minn. 55405

[**] Term: **14 Years**

[21] Appl. No.: **295,026**

[22] Filed: **Jan. 9, 1989**

[52] U.S. Cl. **D6/457; D6/466; 248/167**

[58] Field of Search **D6/449, 455, 457, 458, D6/462, 466, 467, 475, 476, 415; D19/90, 92; 248/435, 431, 167; 211/13**

[56] **References Cited**

U.S. PATENT DOCUMENTS

D. 185,103 5/1959 Sutton **D6/475 X**

D. 209,358 11/1967 Semler **D6/466**
D. 239,678 4/1976 Blake **D6/466**
D. 280,687 9/1985 Baldrige **D6/449 X**
D. 304,239 10/1989 Miller **D6/449 X**
3,940,100 2/1976 Haug **248/188.1**
4,574,917 7/1986 Stoddard **182/151**

Primary Examiner—Bruce W. Dunkins

Assistant Examiner—Jeffrey Asch

[57] **CLAIM**

The ornamental design for a display stand or similar article, as shown and described.

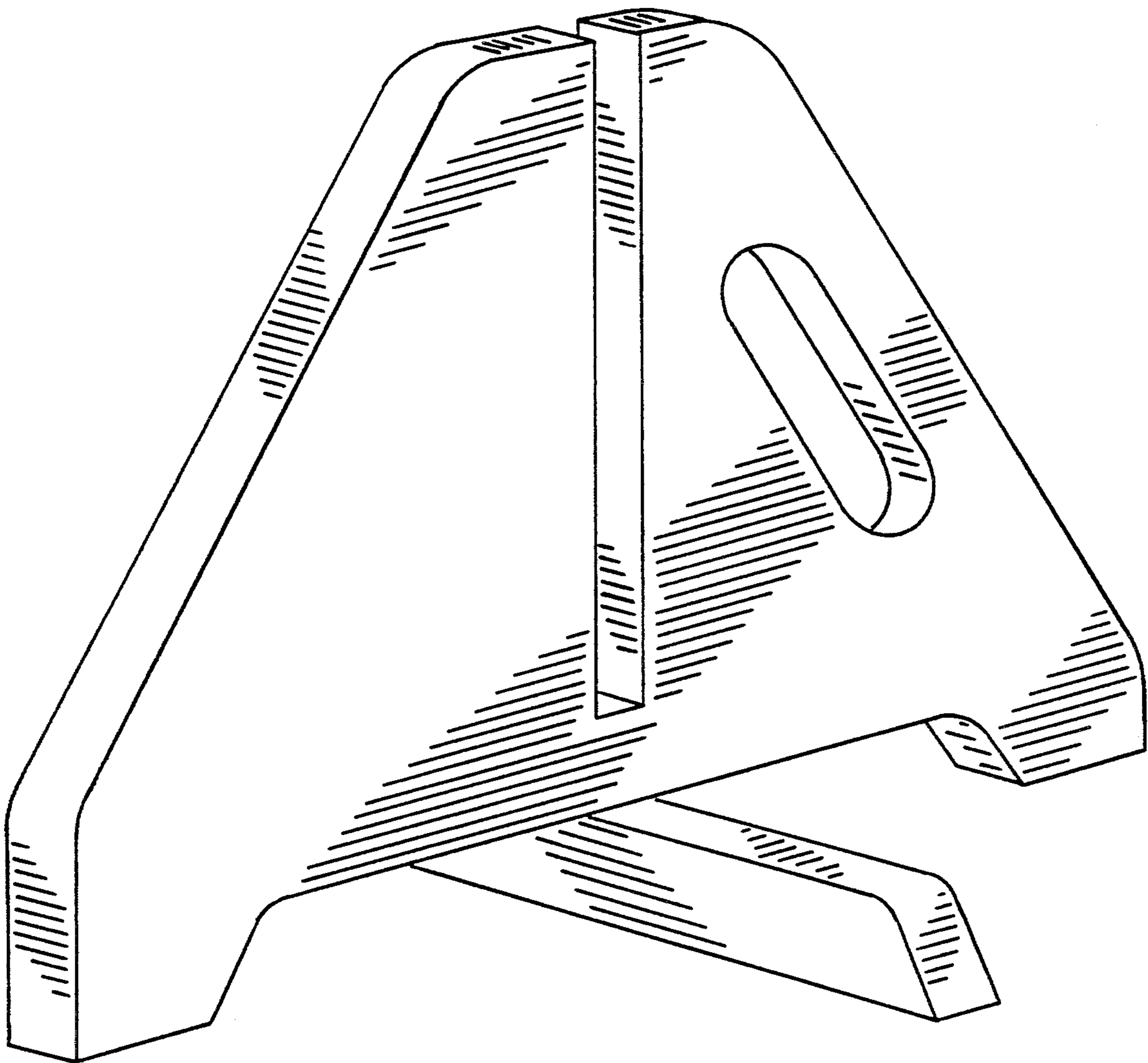
DESCRIPTION

FIG. 1 is a side elevational view of a display stand or similar article showing our new design, the opposite side being a mirror image thereof;

FIG. 2 is a perspective view wherein the display stand has been rotated to an alternate position;

FIG. 3 is a top plan view; and

FIG. 4 is a bottom plan view thereof.



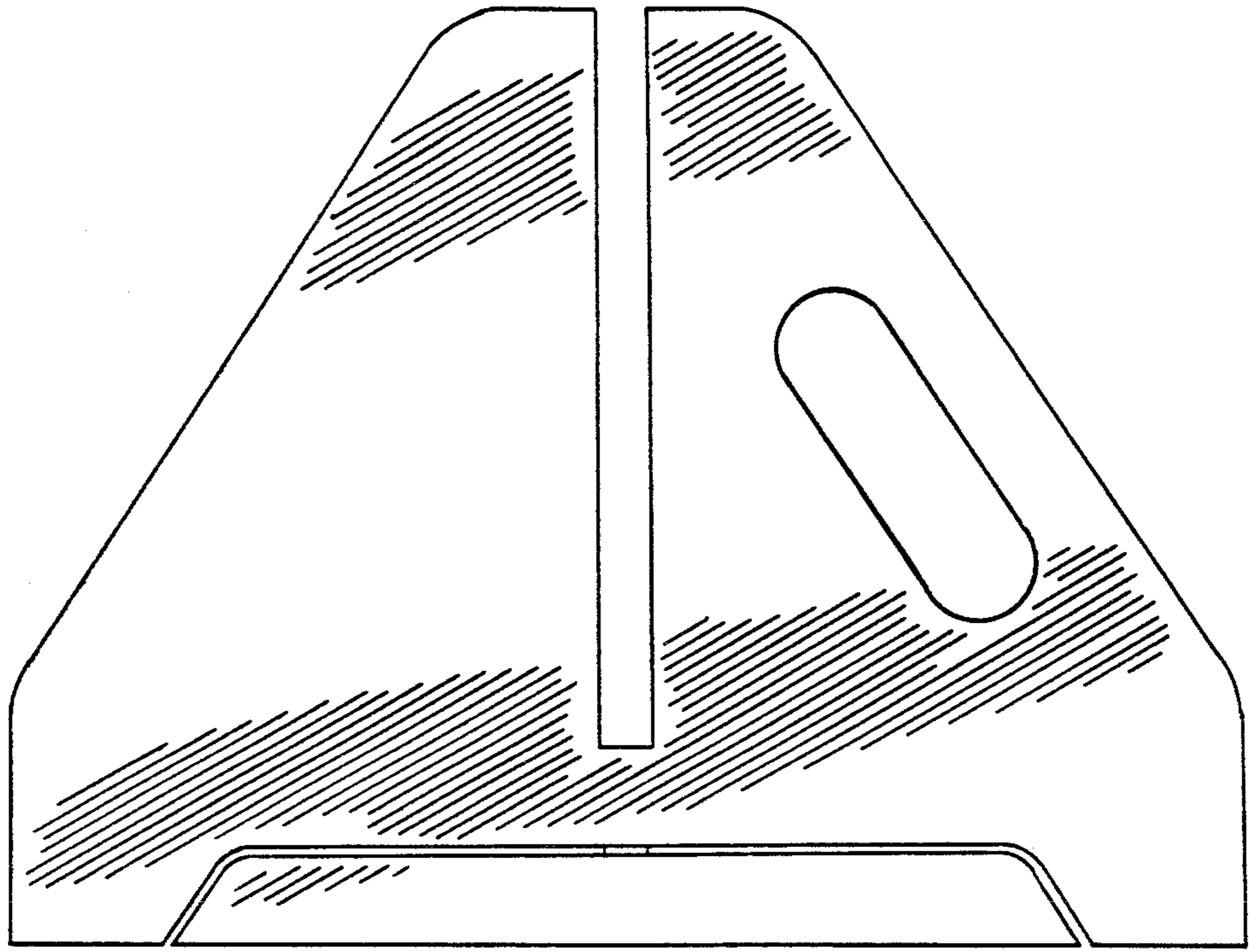


FIG 1

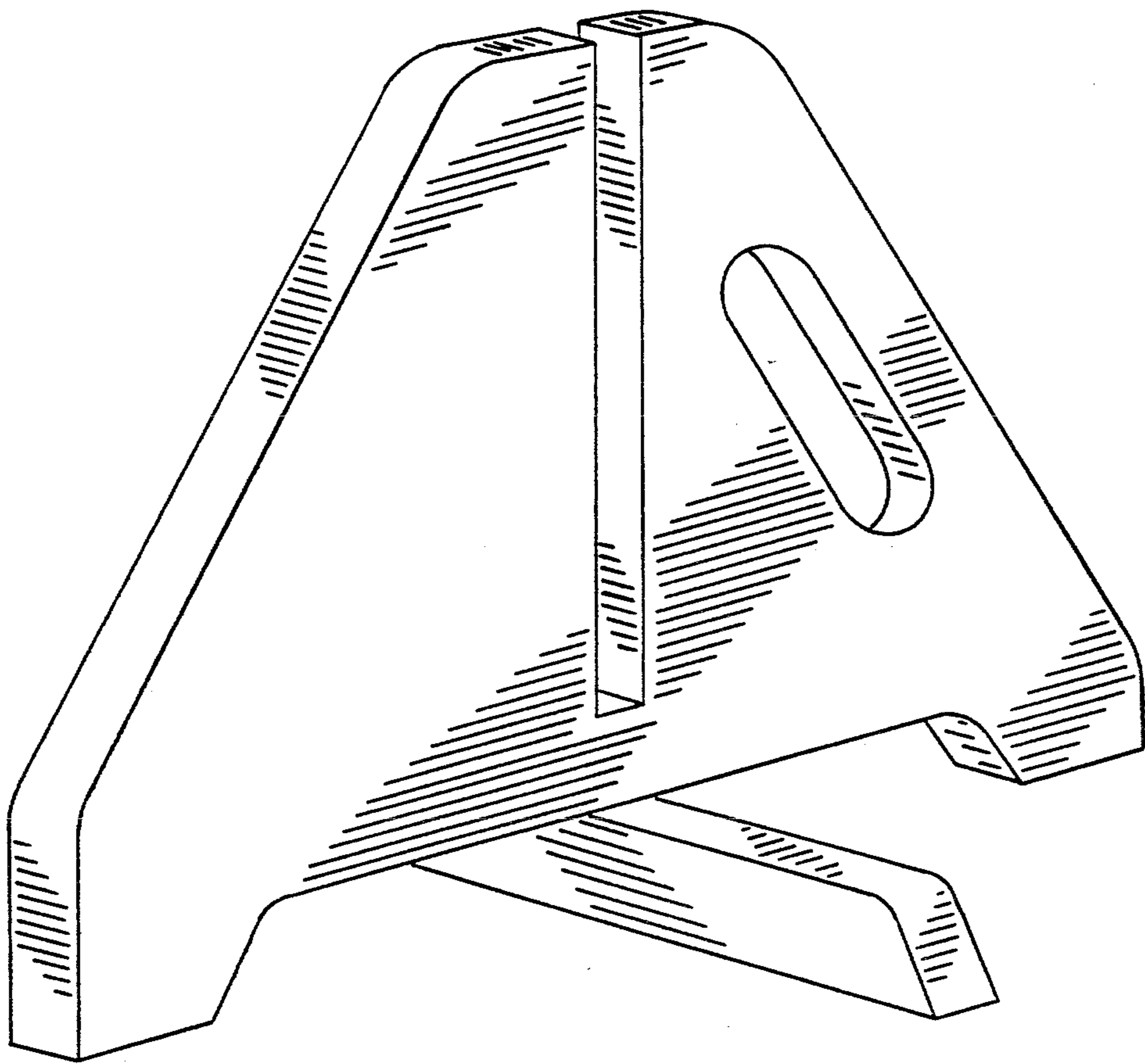


FIG 2

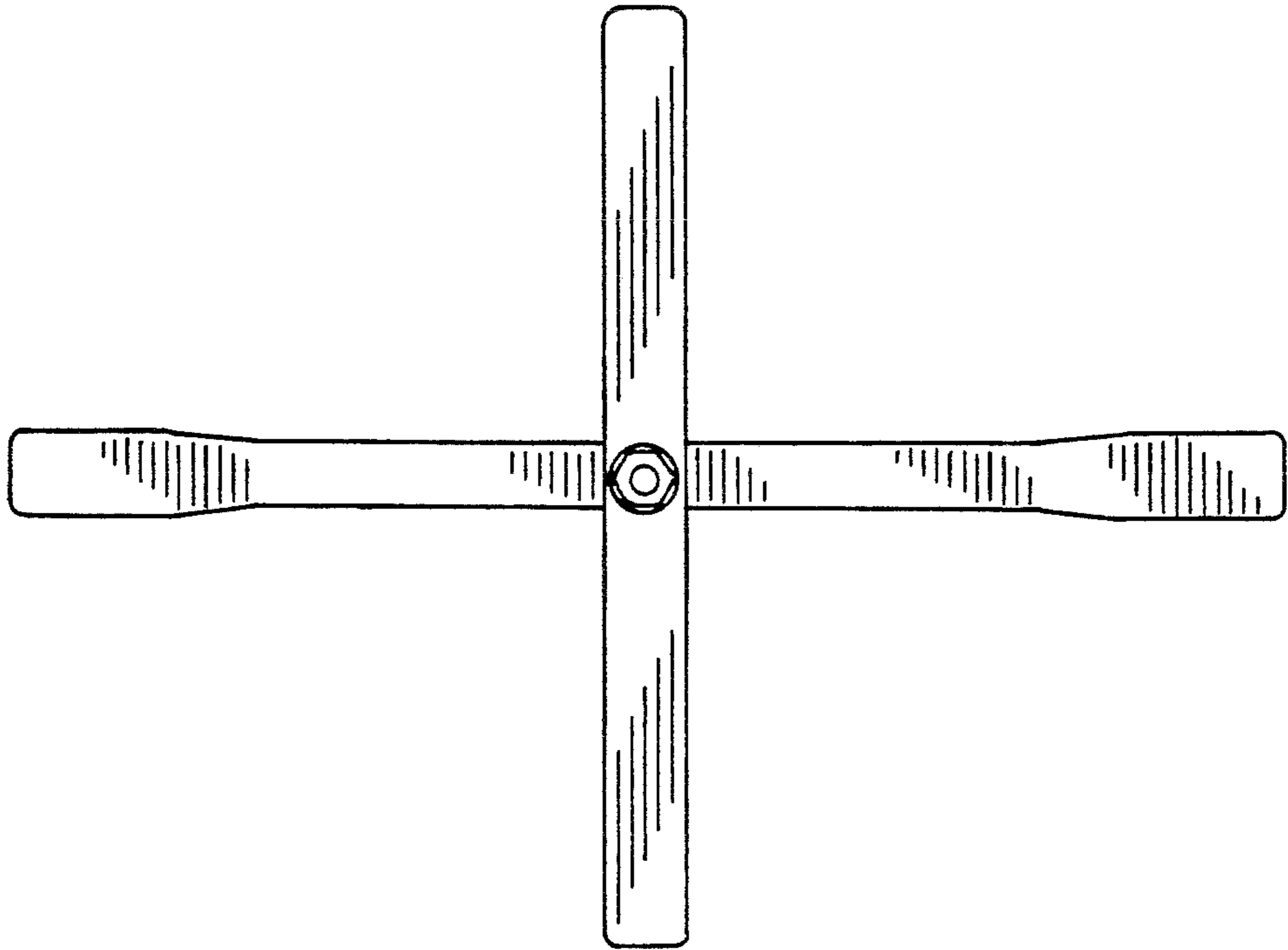


FIG 3

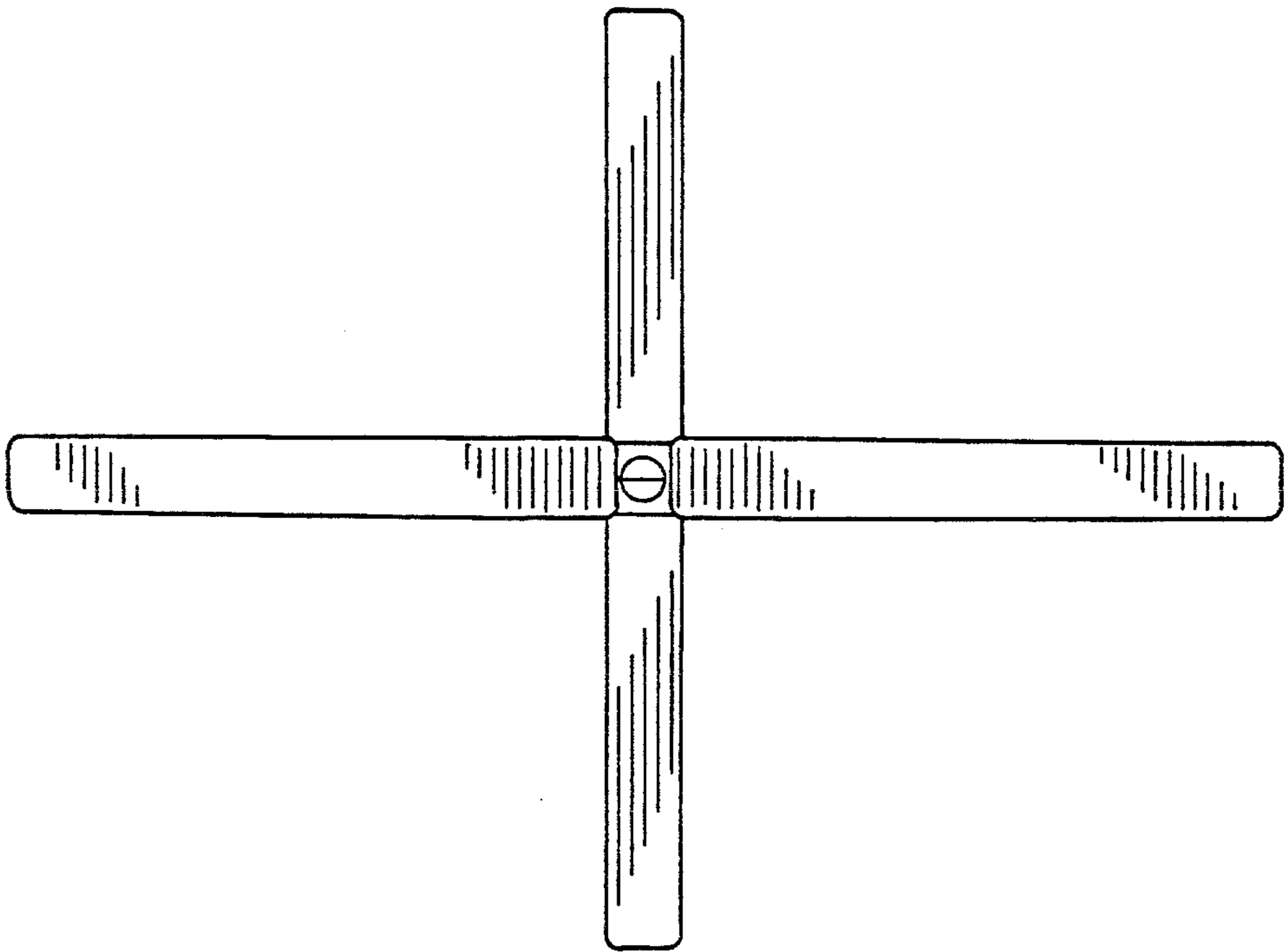


FIG 4