

[54] MOBILE SEAT FOR GARDEN WEEDING

[76] Inventor: George W. Forrand, P.O. Box 7773-2018 N. Sherman Ave. #19, Madison, Wis. 53704

[**] Term: 14 Years

[21] Appl. No.: 208,021

[22] Filed: Jun. 17, 1988

[52] U.S. Cl. D6/330; D6/349

[58] Field of Search D6/334, 335, 336, 340, D6/349, 353, 354, 355, 350, 365, 366, 367, 500, 502; 297/5, 6, 16, 195; D34/12, 13, 17, 24

[56] References Cited

U.S. PATENT DOCUMENTS

- D. 166,048 2/1952 Rink D34/24 X
- D. 186,213 9/1959 Larson D34/17
- D. 296,048 6/1988 Eie D6/334 X
- 1,094,417 4/1914 Beier 297/16
- 2,224,246 12/1940 Ames 297/6
- 3,838,869 10/1974 Falkenberg 297/195 X

FOREIGN PATENT DOCUMENTS

- 2142249 1/1985 United Kingdom 297/5

OTHER PUBLICATIONS

Howell Catalog, 2/1938, p. 8, Stool at bottom left.
Gardener's Eden, Spring 1980, p. 25, "Garden Scoot" pictured at bottom right.

David Kay, 4/1987, p. 28, "Hobby Helper" pictured top left.

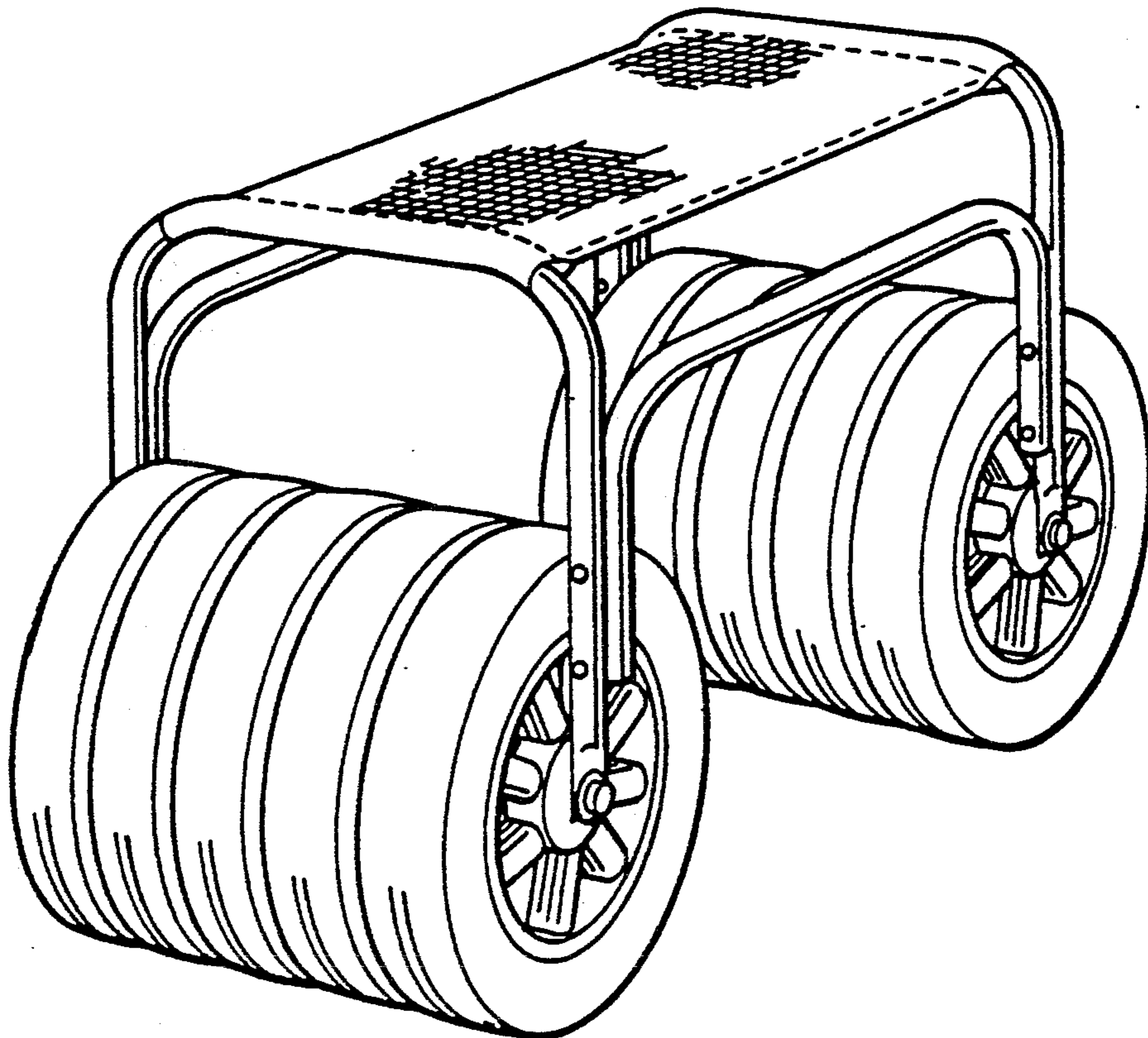
Primary Examiner—Bruce W. Dunkins
Assistant Examiner—Gary D. Watson
Attorney, Agent, or Firm—Keith Schoff

[57] CLAIM

The ornamental design for a mobile seat for garden weeding, as shown and described.

DESCRIPTION

FIG. 1 is a view in side elevation of a mobile seat for garden weeding showing my new design; FIG. 2 is an end elevation view of the embodiment of FIG. 1; the opposite end elevation view of the embodiment is identical to that shown; FIG. 3 is a top plan view of the embodiment of FIG. 1; FIG. 4 is a bottom view of the embodiment of FIG. 1; FIG. 5 is a side elevation view of a second embodiment of a mobile seat for garden weeding of this invention; the opposite side elevation view of the embodiment is identical to that shown; FIG. 6 is an end elevation view of the embodiment of FIG. 5; the opposite end elevation view of the embodiment is identical to that shown; FIG. 7 is a top plan view of the embodiment of FIG. 5; FIG. 8 is a bottom view of the embodiment of FIG. 5. FIG. 9 is a perspective view of the embodiment of FIG. 5; the fabric pattern schematically depicted is the same as that depicted in FIGS. 3, 4, 7, and 8, and is continuous throughout the seat as shown.



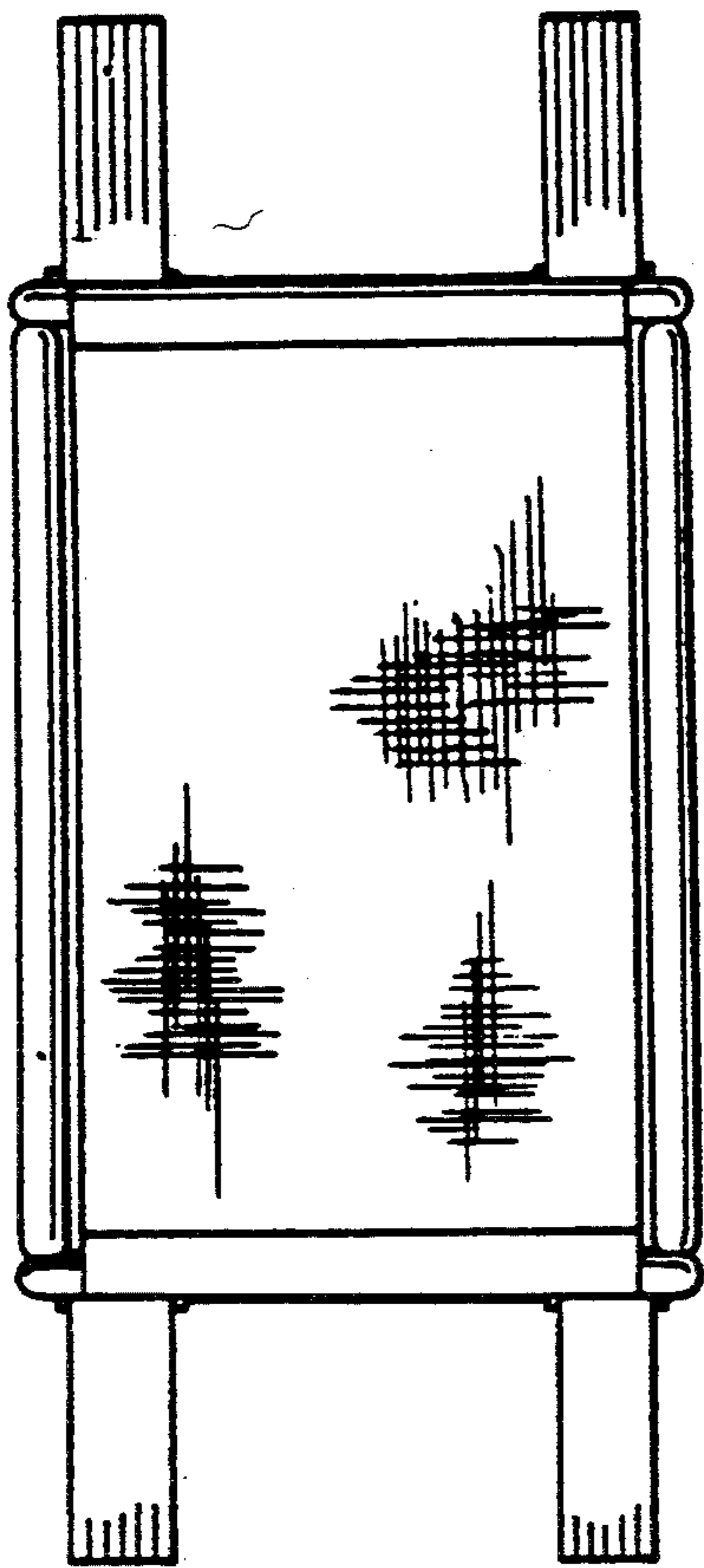


FIG. 3

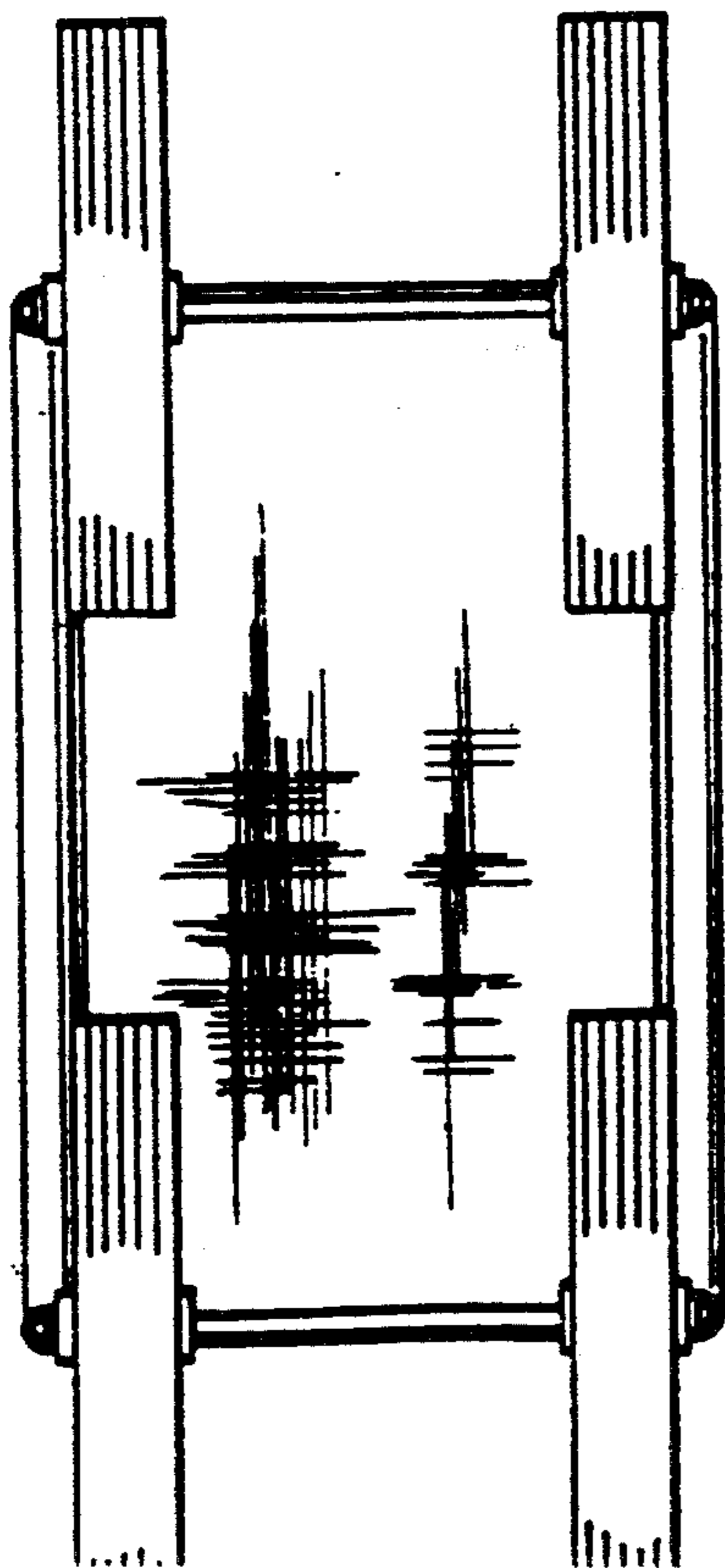


FIG. 4

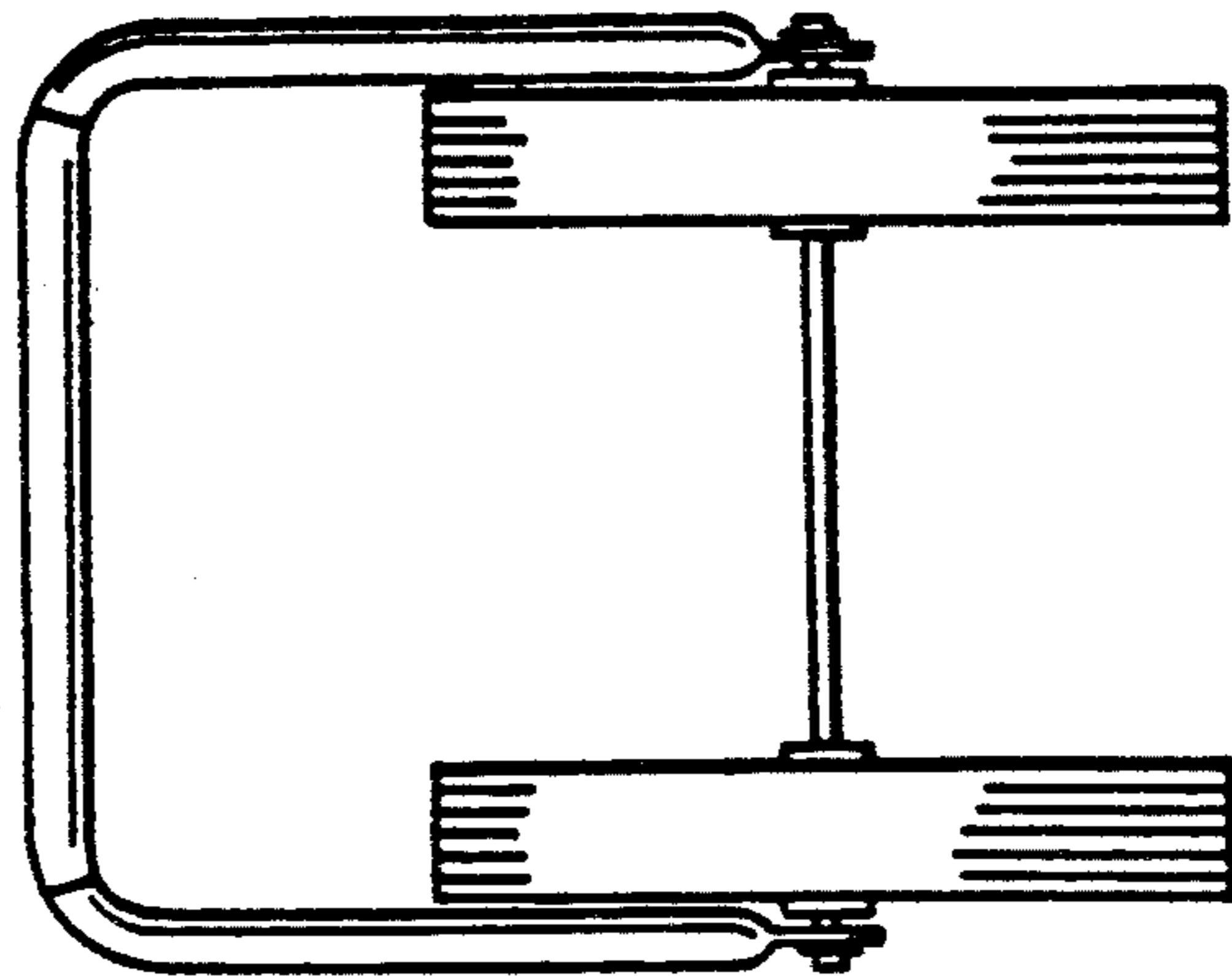


FIG. 2

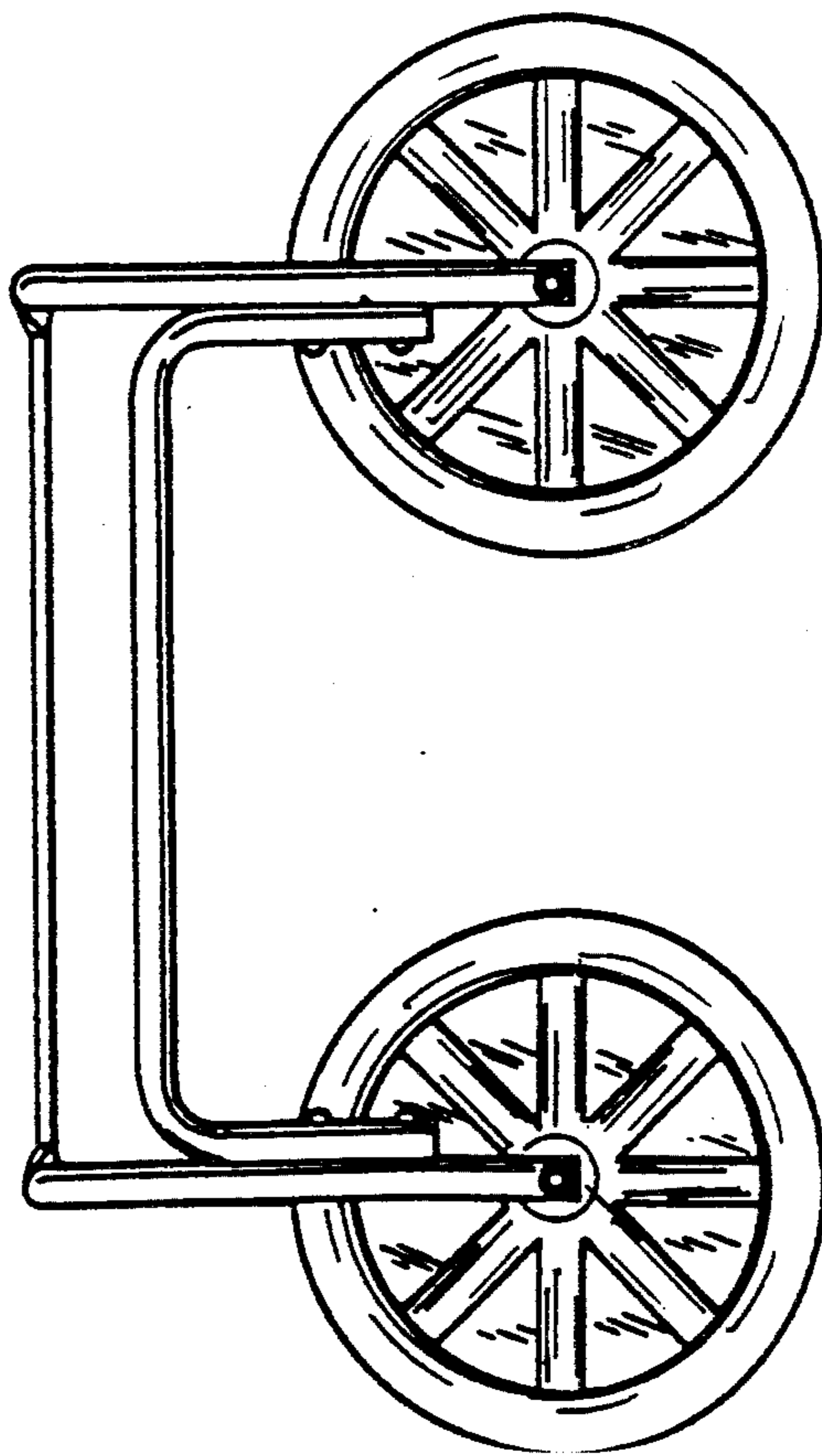


FIG. 1

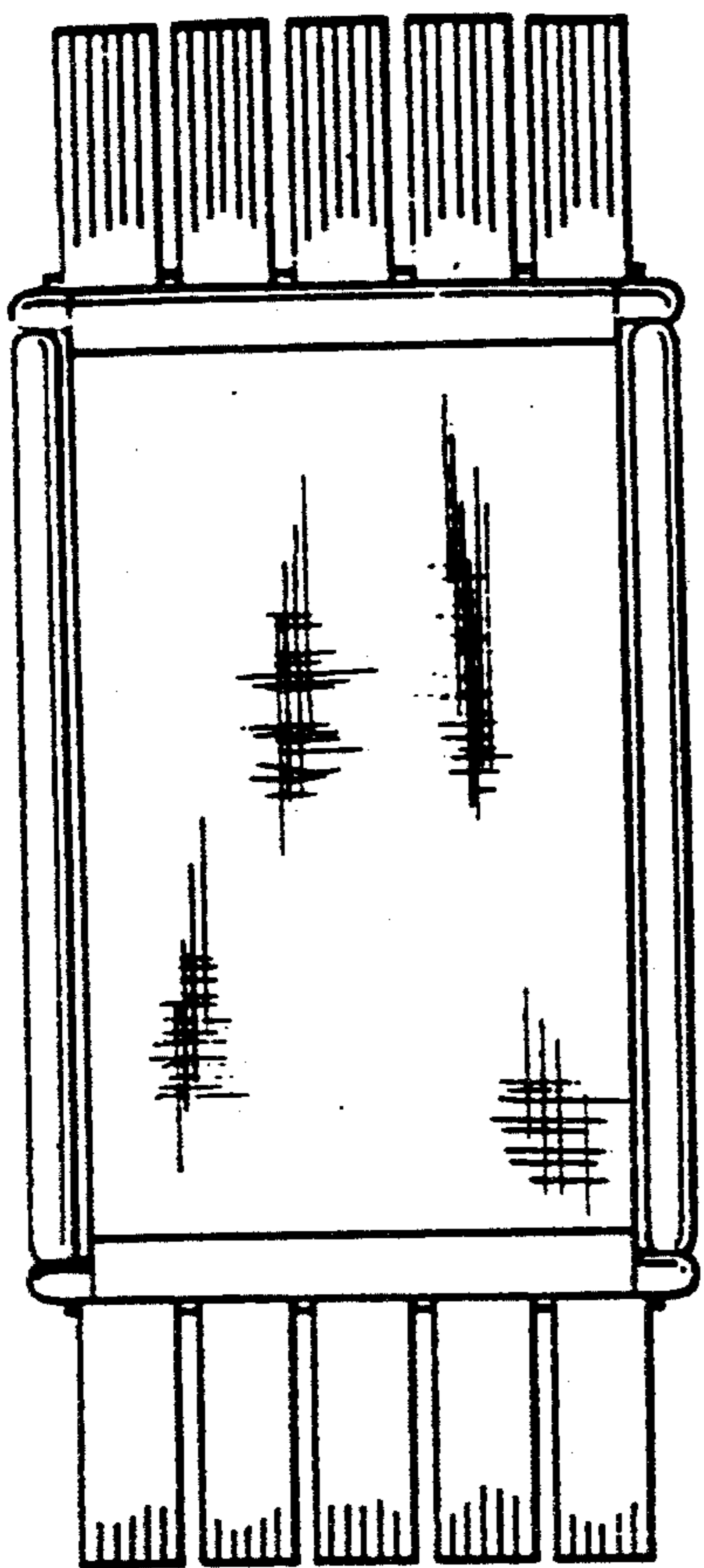


FIG. 7

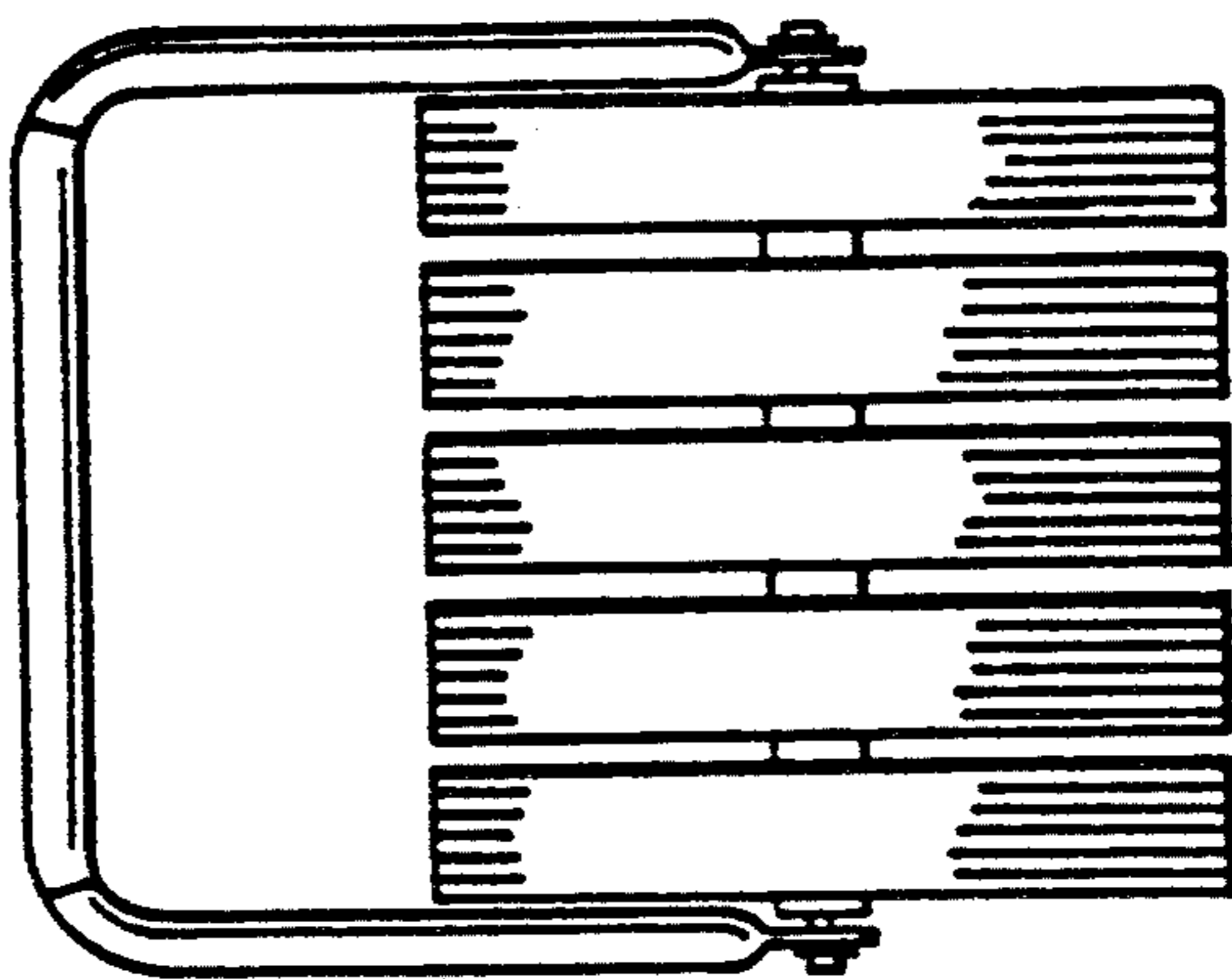


FIG. 6

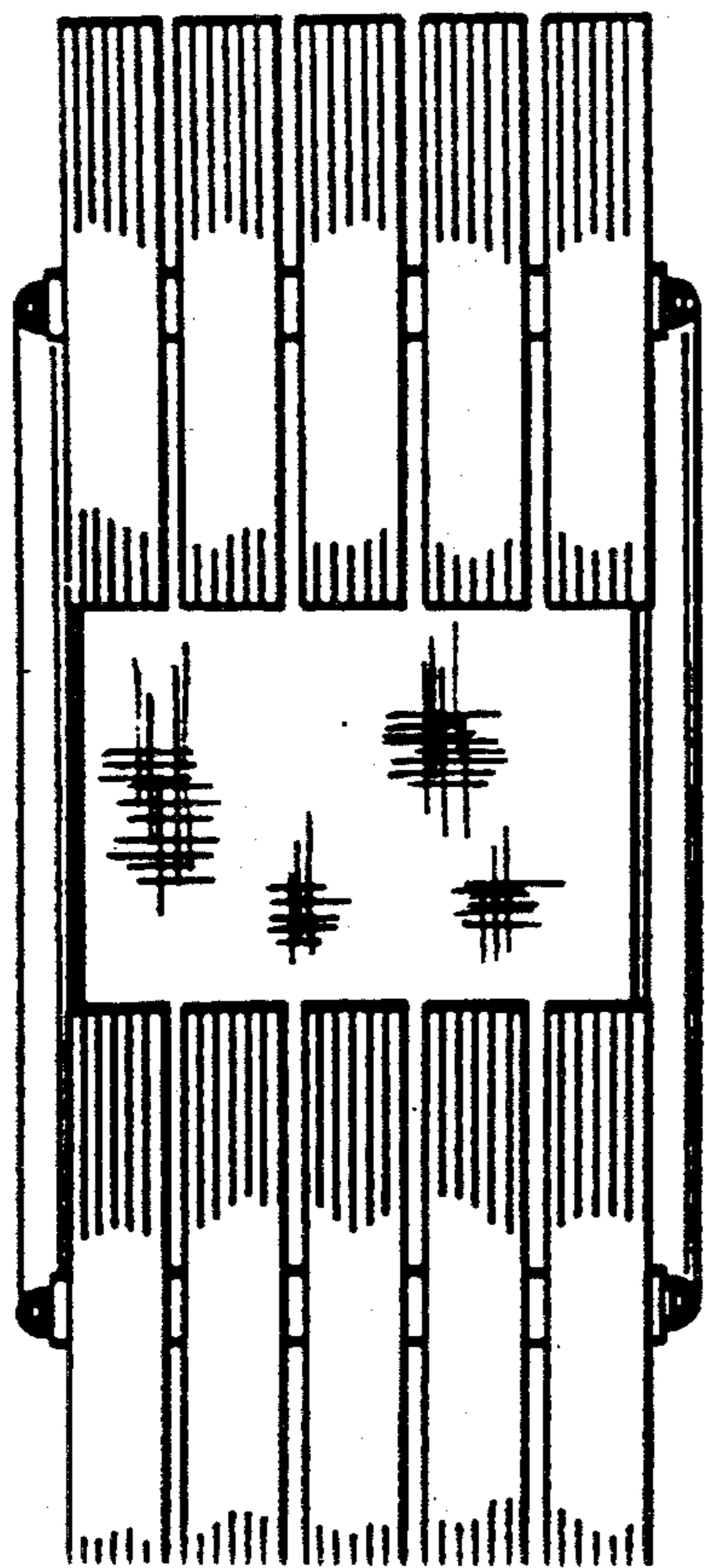


FIG. 8

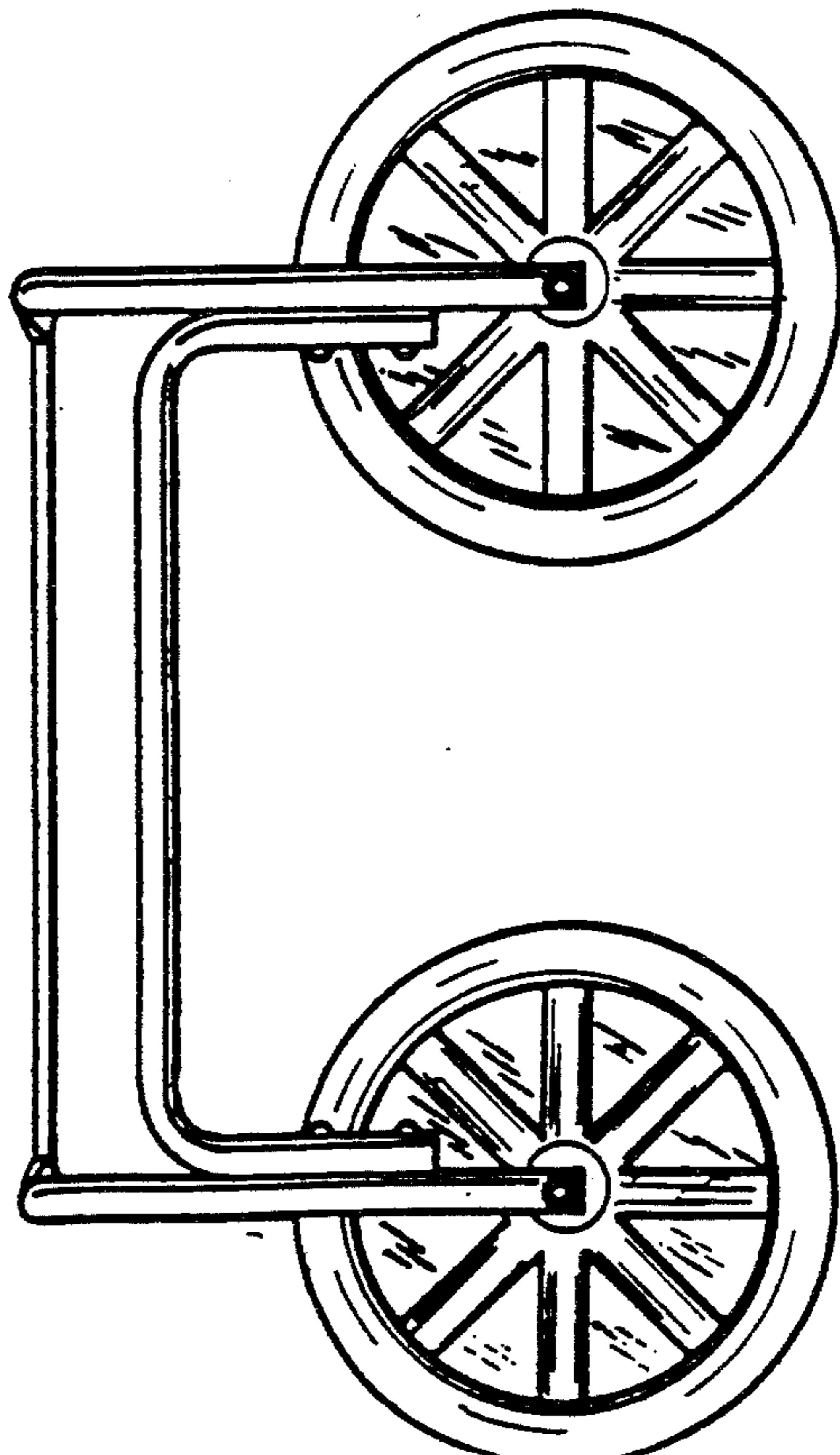


FIG. 5

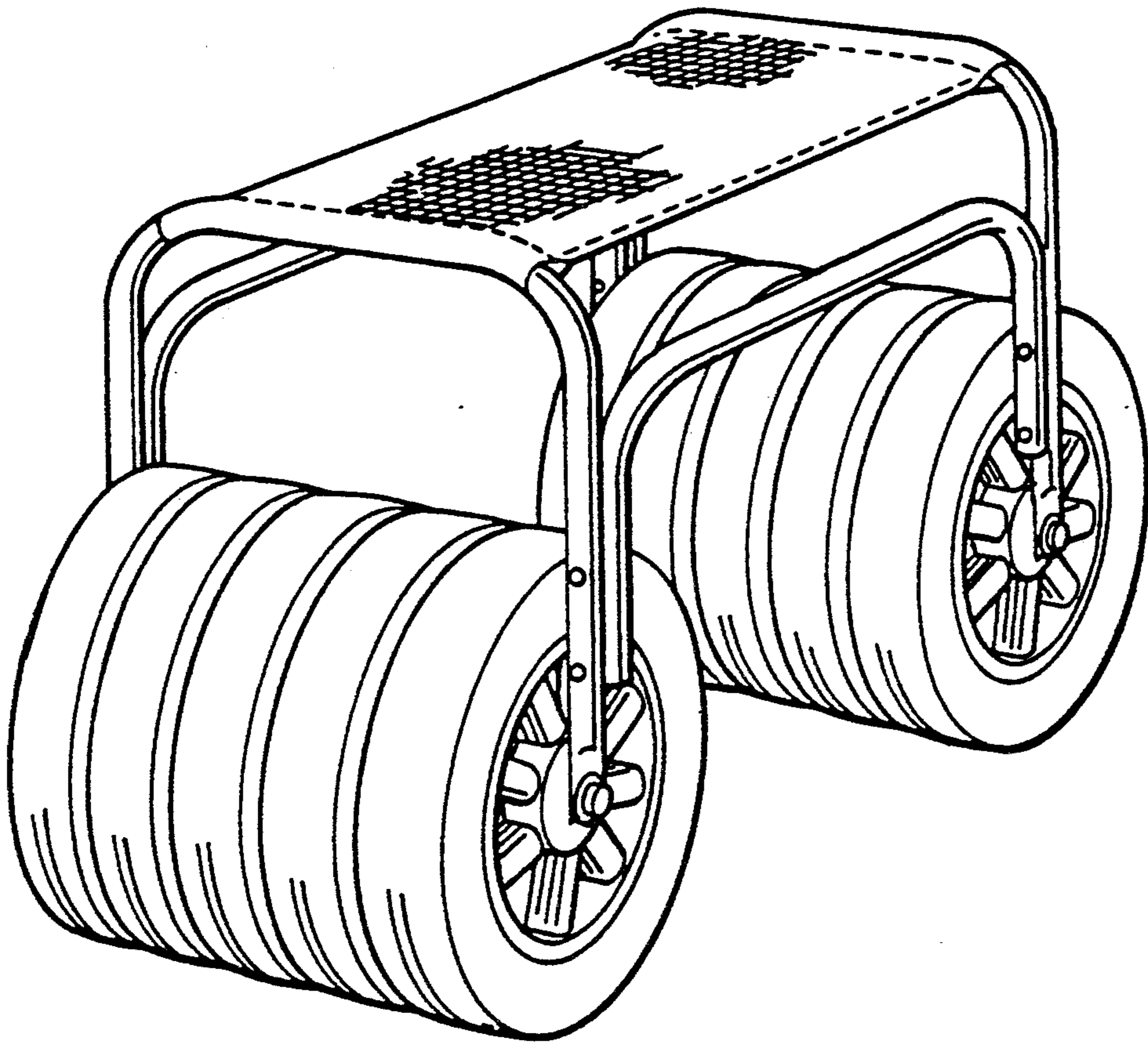


FIG. 9