

[54] **TOOL BOX**  
[76] **Inventor: Pi-Chi Chen, No. 1-1, East Lane, Lai Tsuo, Taichung, Taiwan**  
[\*\*] **Term: 14 Years**  
[21] **Appl. No.: 362,302**  
[22] **Filed: Jun. 6, 1989**  
[52] **U.S. Cl. .... D3/74; D6/442; D6/476**  
[58] **Field of Search .... D3/74, 75; 43/57.1, 43/54.1; 206/315.11, 823, 372, 373, 533, 538, 503; D9/430, 341, 424; 132/300; 220/DIG. 26, 507, 524; D6/442, 476, 457; D17/75**

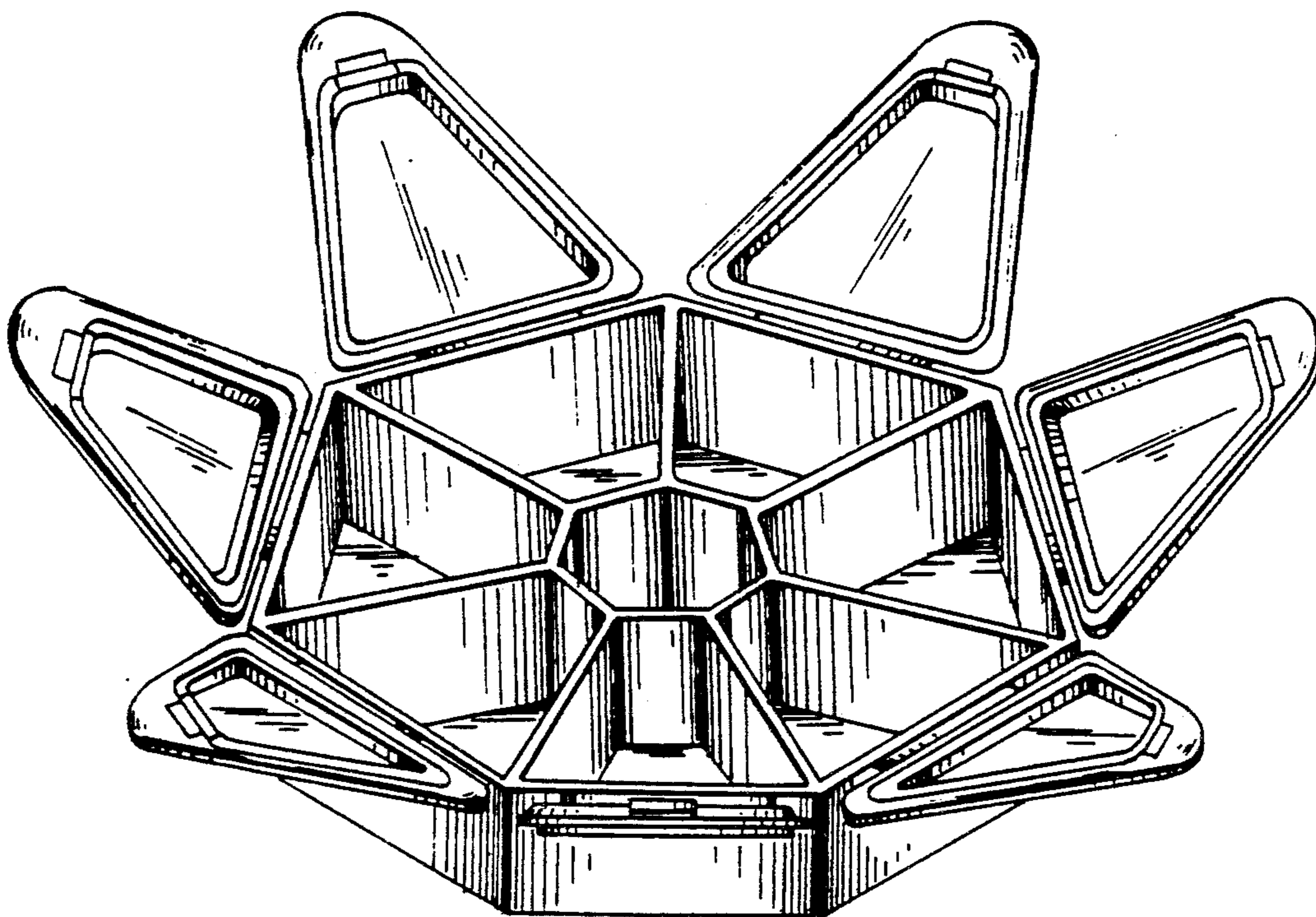
2,267,640 12/1941 De Witt ..... 206/315.11 X  
2,471,173 5/1949 Taylor ..... 206/372 X  
2,765,576 10/1956 Kurek ..... 43/54.1  
3,334,731 8/1967 Dale ..... 206/538 X  
4,248,901 2/1981 Austin ..... 206/503 X

*Primary Examiner*—Louis S. Zarfes  
*Assistant Examiner*—M. N. Pandozzi  
*Attorney, Agent, or Firm*—Varndell Legal Group

[56] **References Cited**  
**U.S. PATENT DOCUMENTS**  
D. 116,726 9/1939 Schiaparelli ..... 220/DIG. 26  
D. 243,658 3/1977 Schneider ..... D6/457  
1,774,767 9/1930 Smith ..... 220/DIG. 26 X

[57] **CLAIM**  
The ornamental design for tool box, as shown and described.

**DESCRIPTION**  
FIG. 1 is a top perspective view of a tool box in closed position showing my new design;  
FIG. 2 is a top plan view thereof;  
FIG. 3 is a bottom plan view thereof;  
FIG. 4 is a front elevational view thereof; and  
FIG. 5 is a top perspective view thereof in open position.



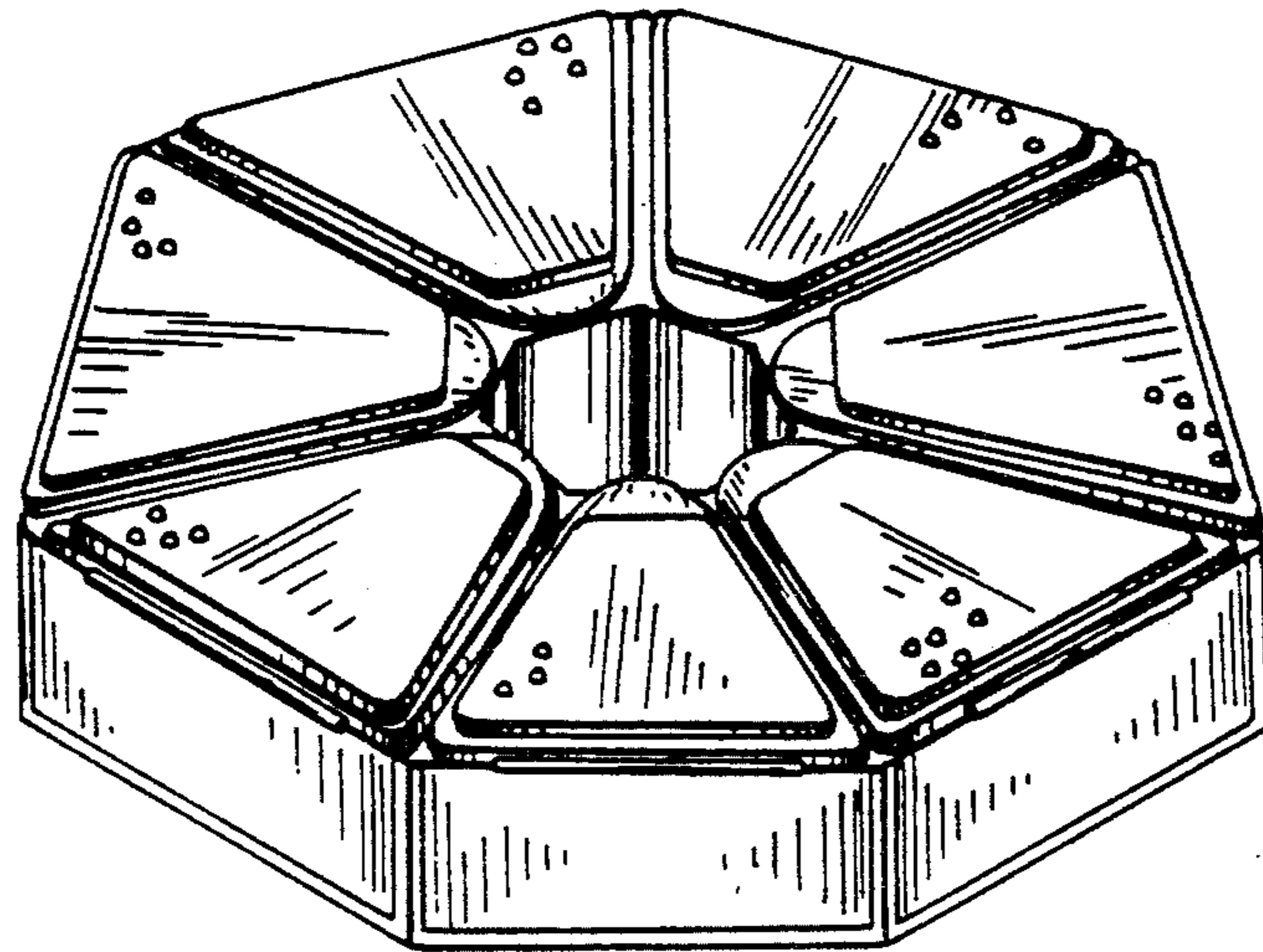


Fig. 1

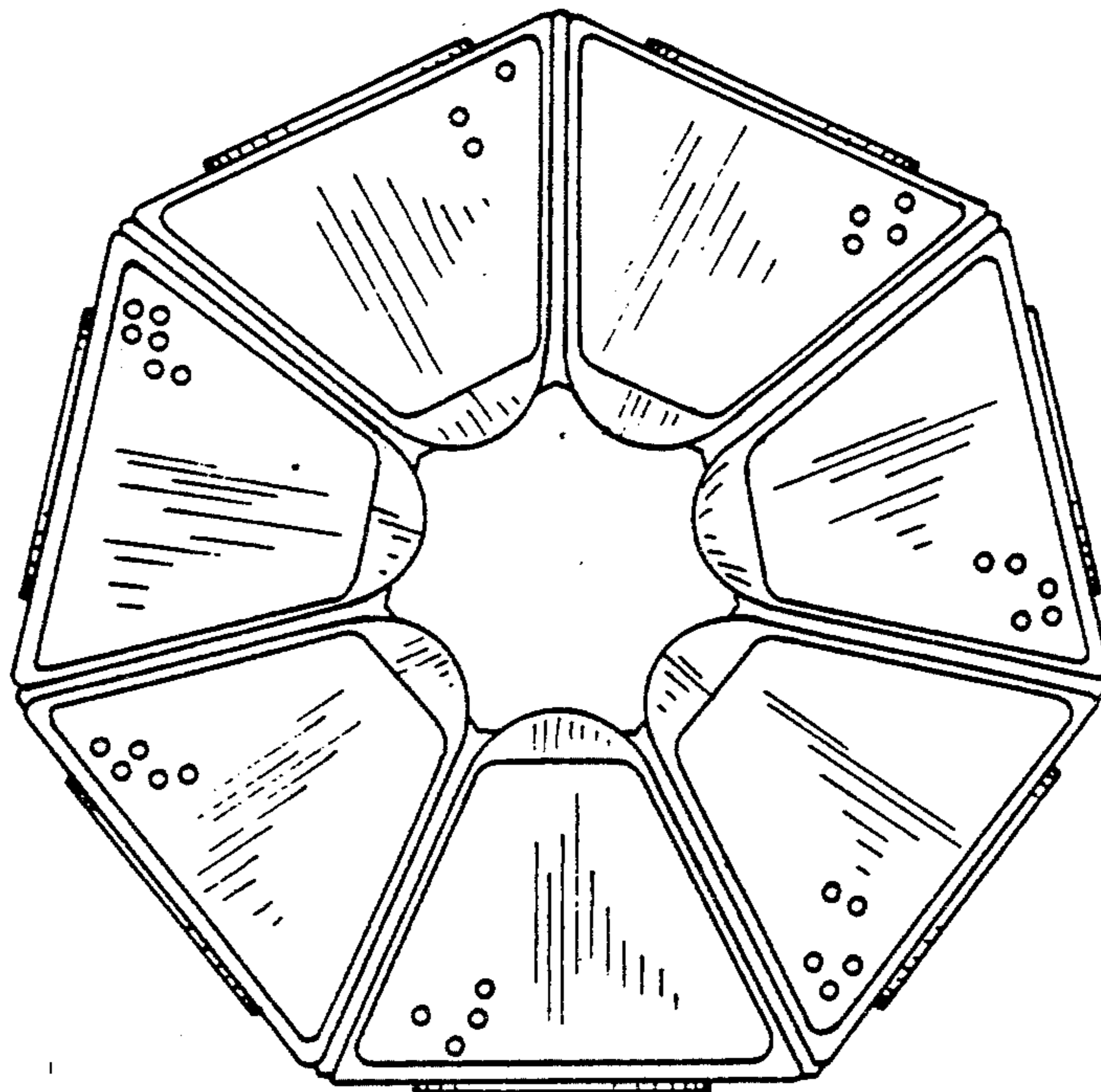


Fig. 2

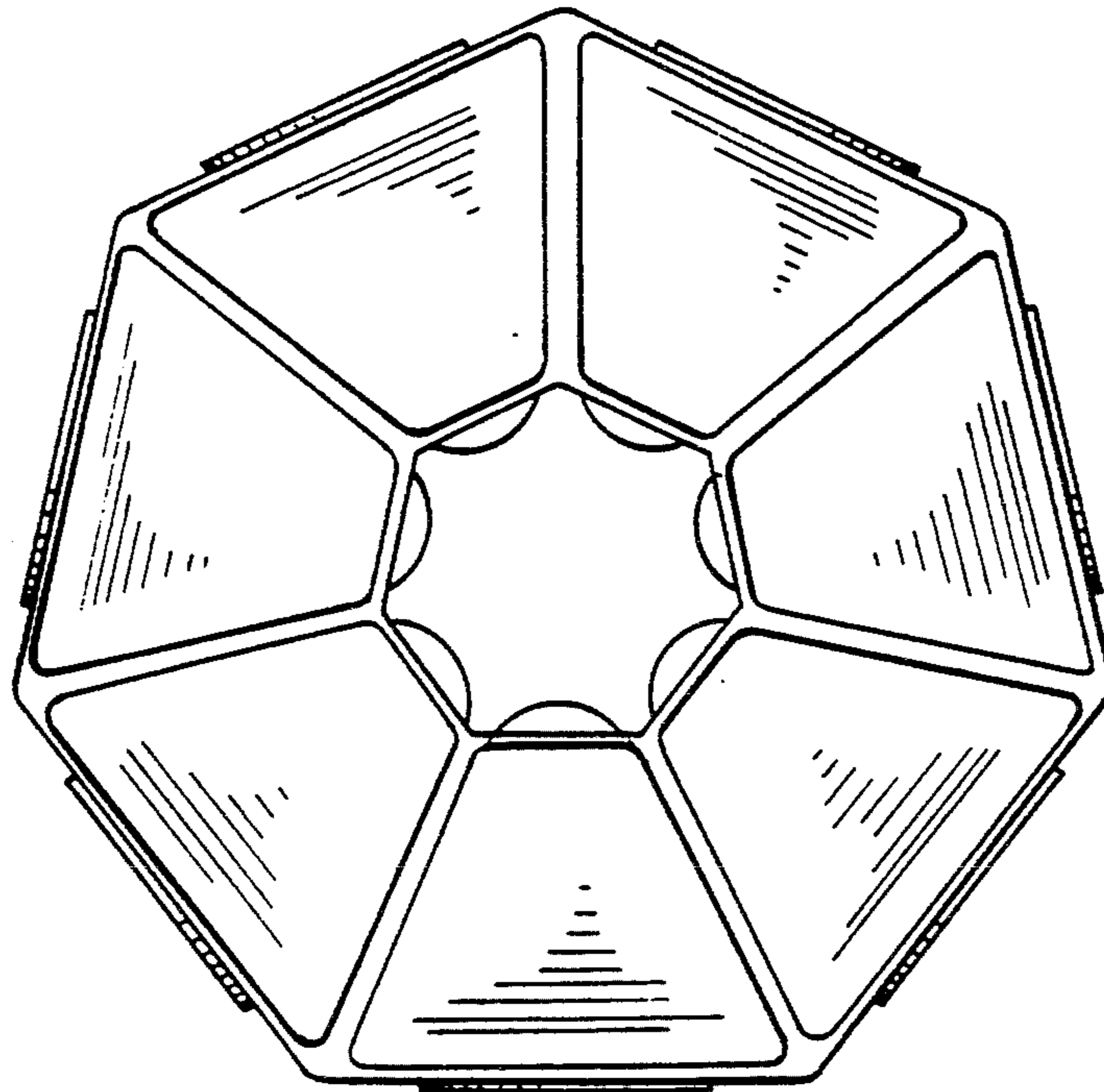


Fig. 3

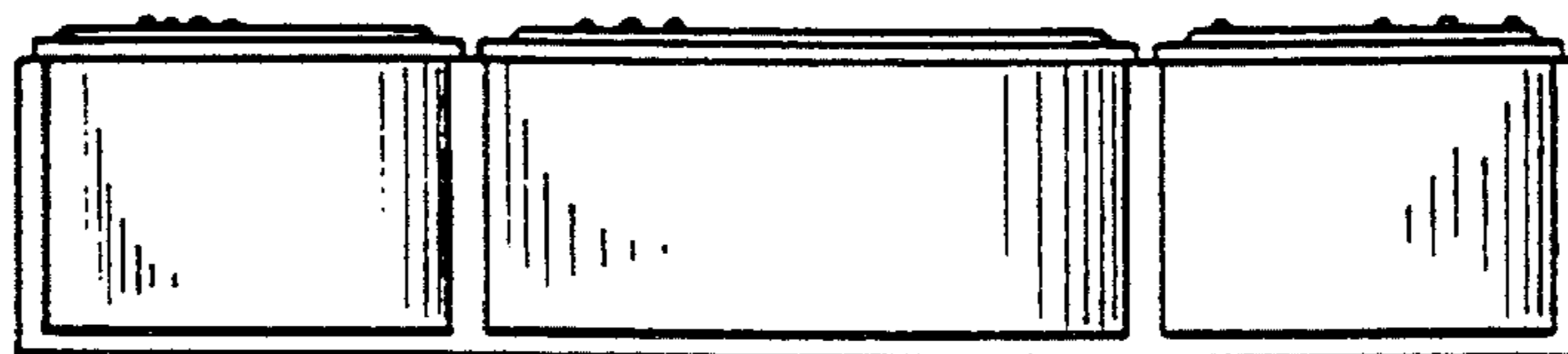


Fig. 4

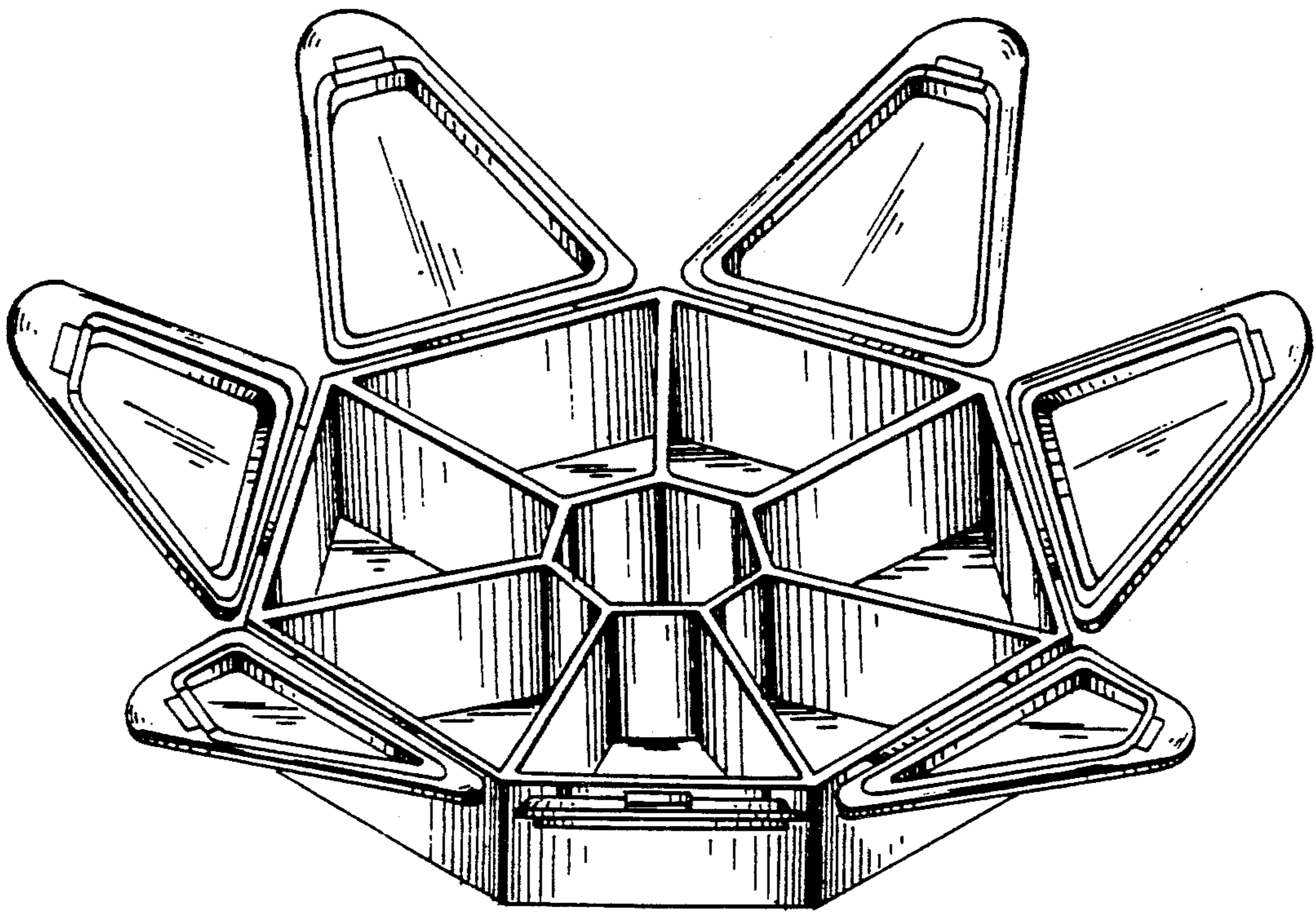


Fig. 5