

[54] NOTCH FOR UMBRELLA

[76] Inventor: Mark J. S. Ma, 12th Floor, 578 Kwang Fu South Road, Taipei, Taiwan

[**] Term: 14 Years

[21] Appl. No.: 351,039

[22] Filed: May 15, 1989

[52] U.S. Cl. D3/10

[58] Field of Search D3/5-17; 135/98, 15.1, 16, 17, 19.5, 20.1, 20.3, 22-24, 28, 25.4, 25.41, 32

[56] References Cited

U.S. PATENT DOCUMENTS

- D. 33,847 1/1901 Gaskill D3/10
- D. 56,668 11/1920 Levin D3/10
- 1,141,494 6/1915 Schultz, Jr. et al 135/28

FOREIGN PATENT DOCUMENTS

769928 10/1967 Canada 135/28

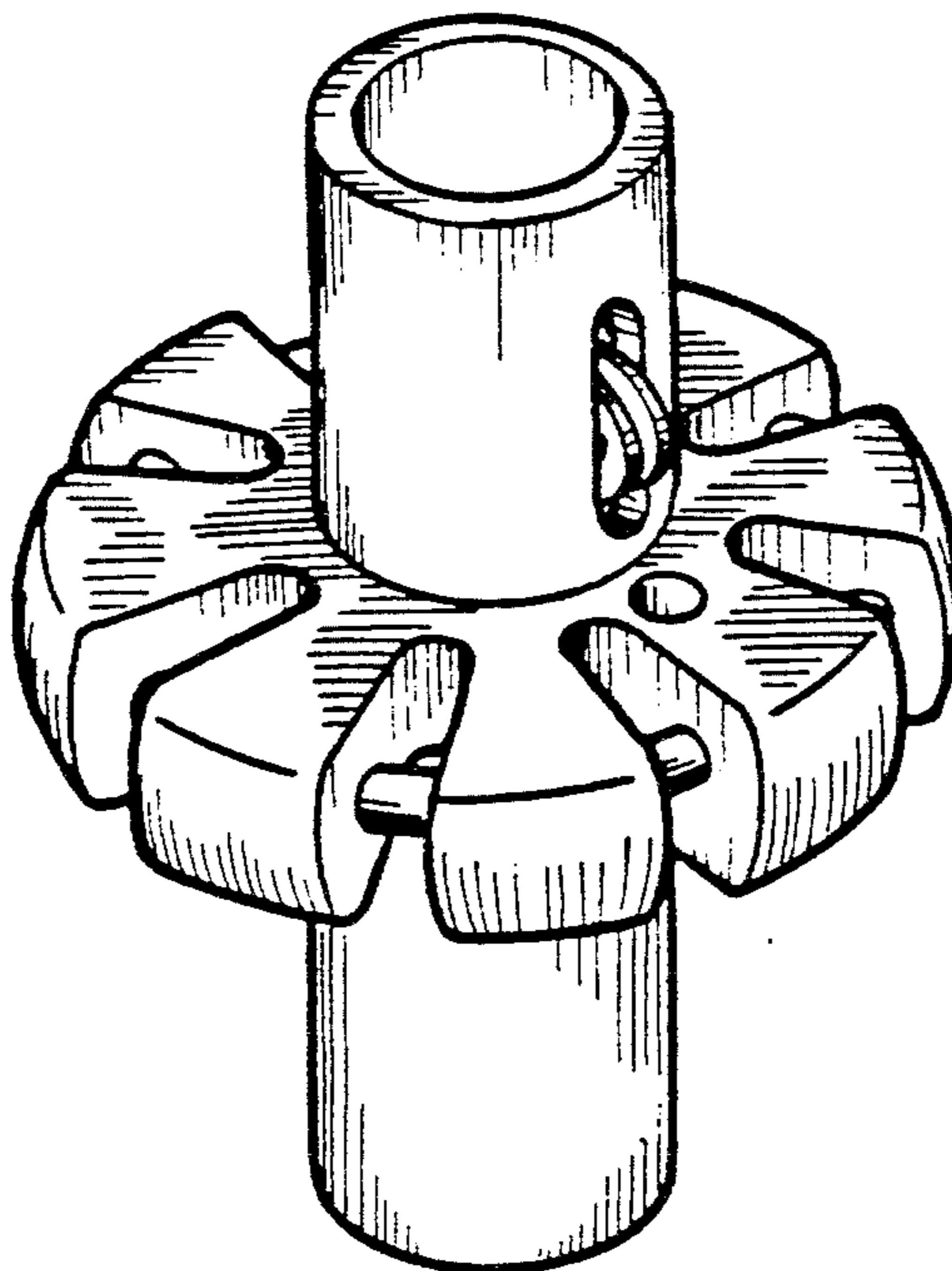
Primary Examiner—Louis S. Zarfes
Attorney, Agent, or Firm—Bacon & Thomas

[57] CLAIM

The ornamental design for a notch for umbrella, as shown and described.

DESCRIPTION

FIG. 1 is a perspective view of a notch for umbrella showing my new design;
 FIG. 2 is a front elevational view thereof;
 FIG. 3 is a rear elevational view thereof;
 FIG. 4 is a top plan view thereof;
 FIG. 5 is a bottom plan view thereof;
 FIG. 6 is a left side elevational view thereof;
 FIG. 7 is a right side elevational view thereof.



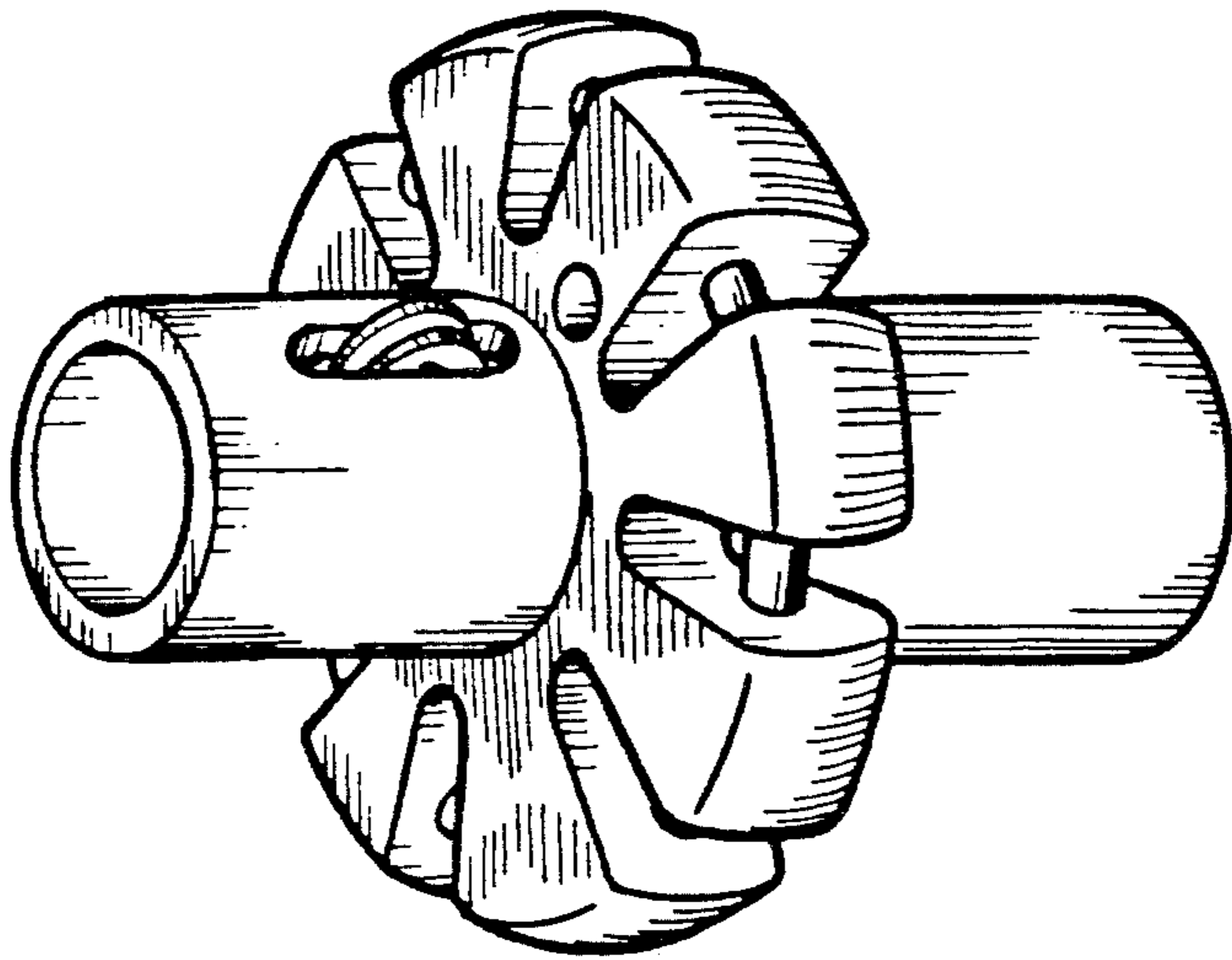


FIG-1

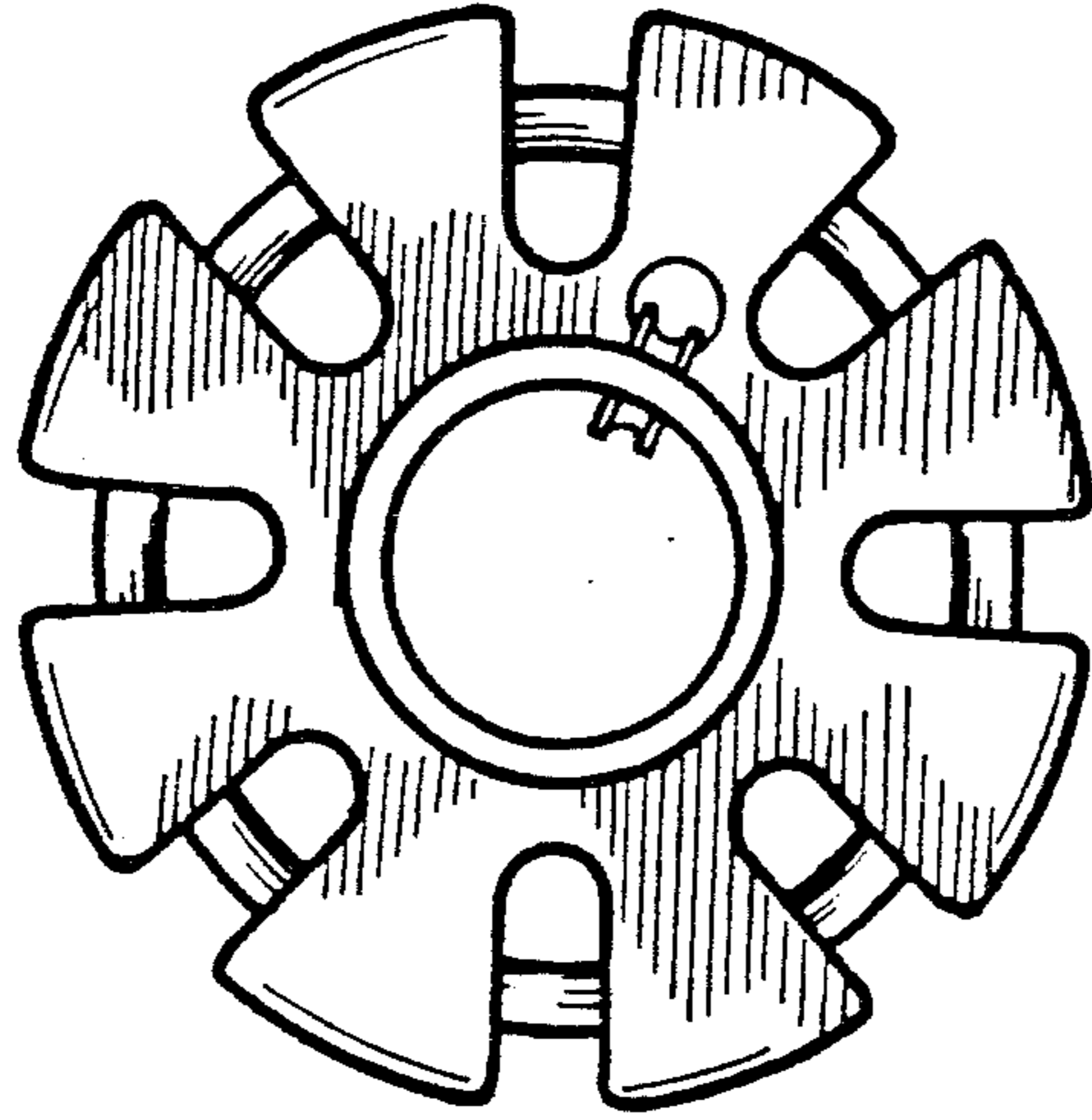


FIG-4

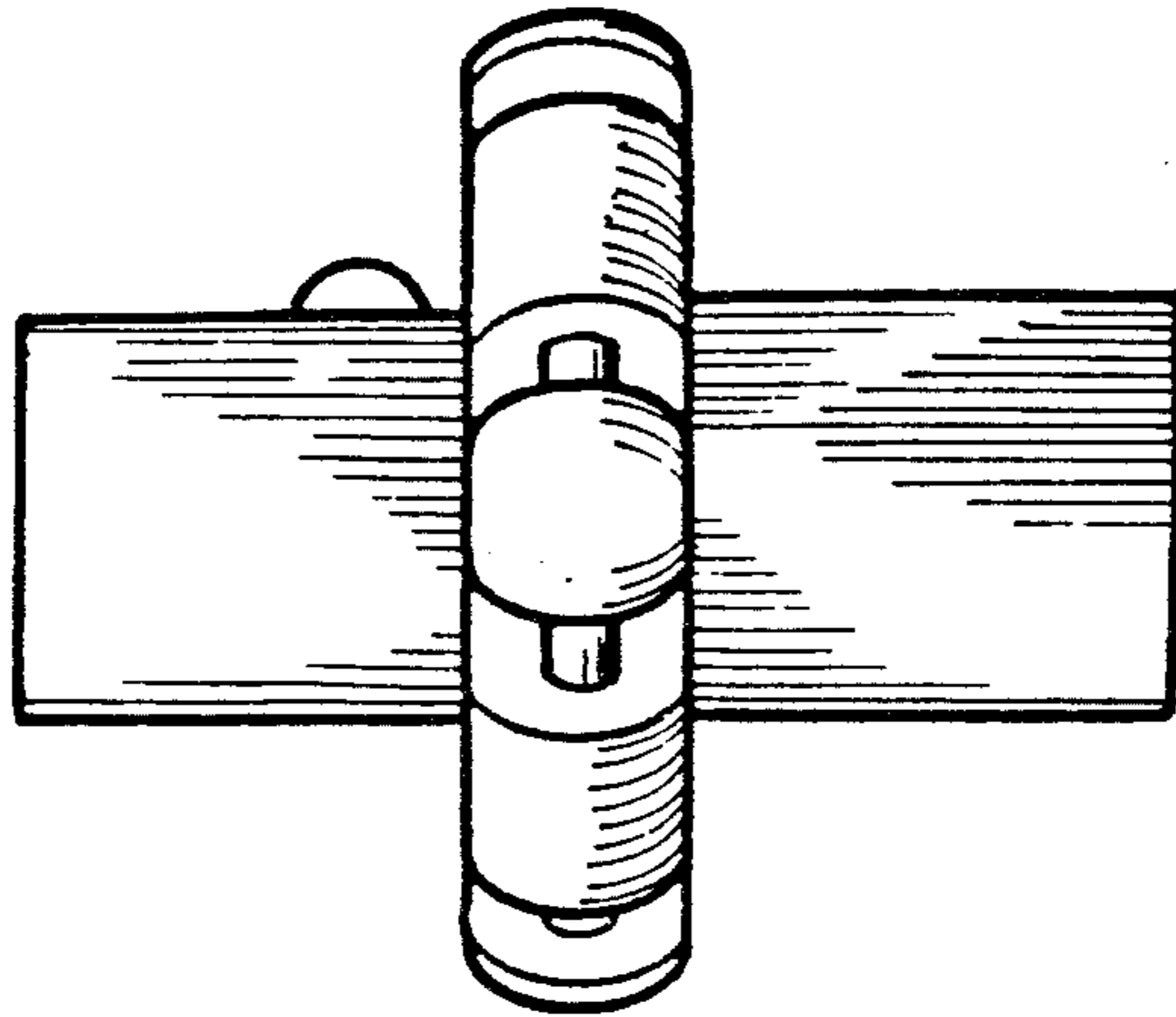


FIG-3

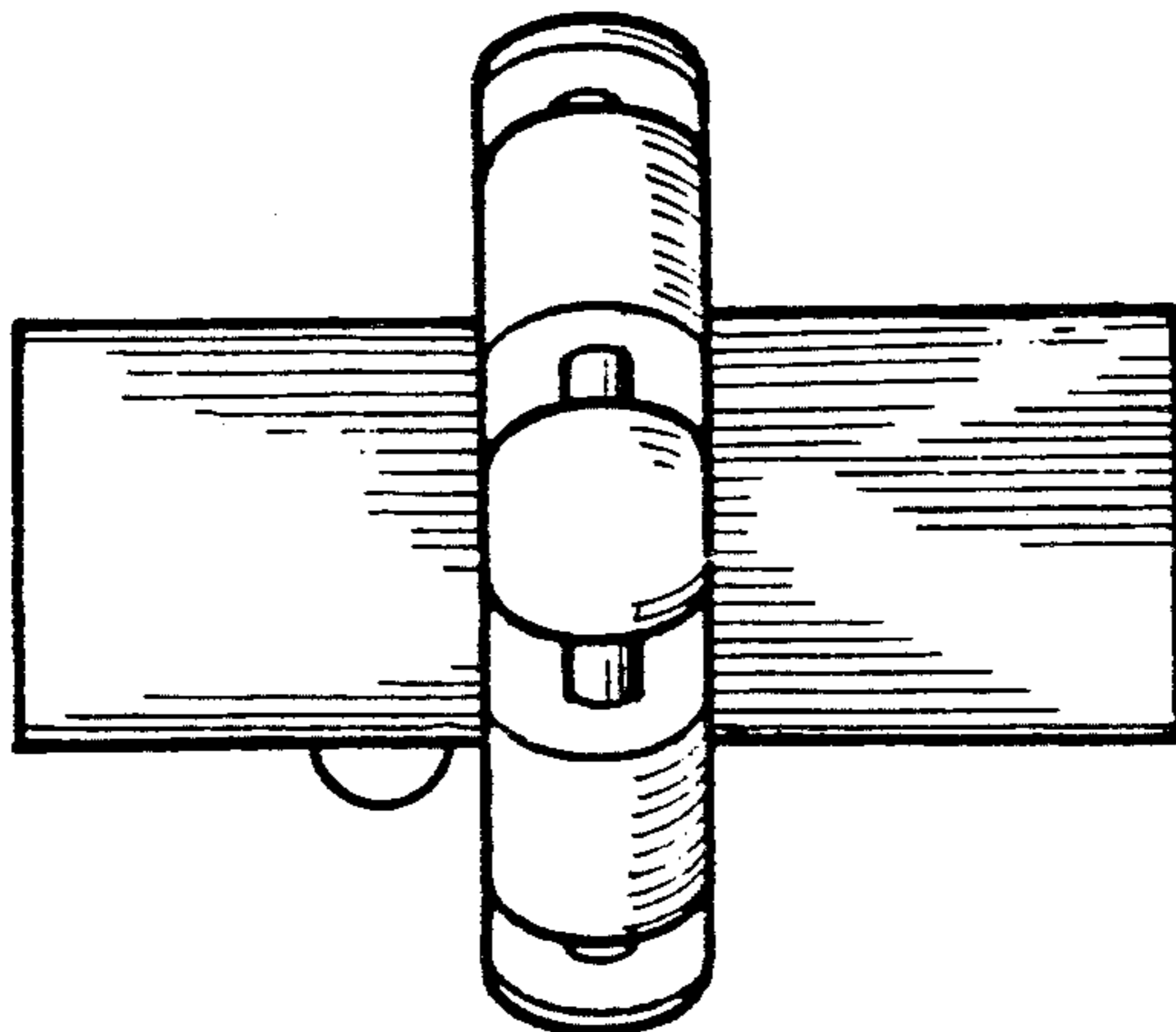


FIG-2

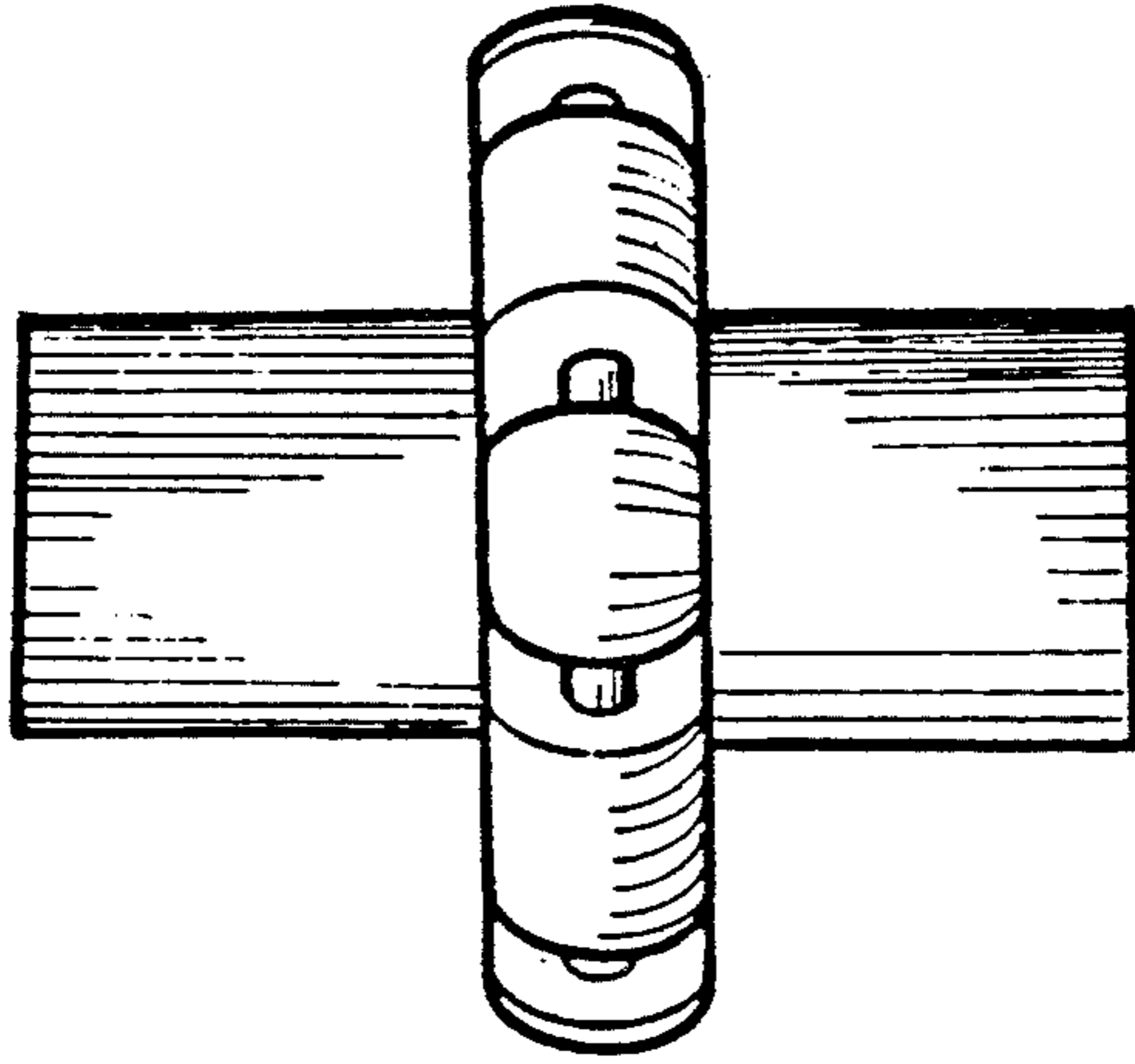


FIG-7

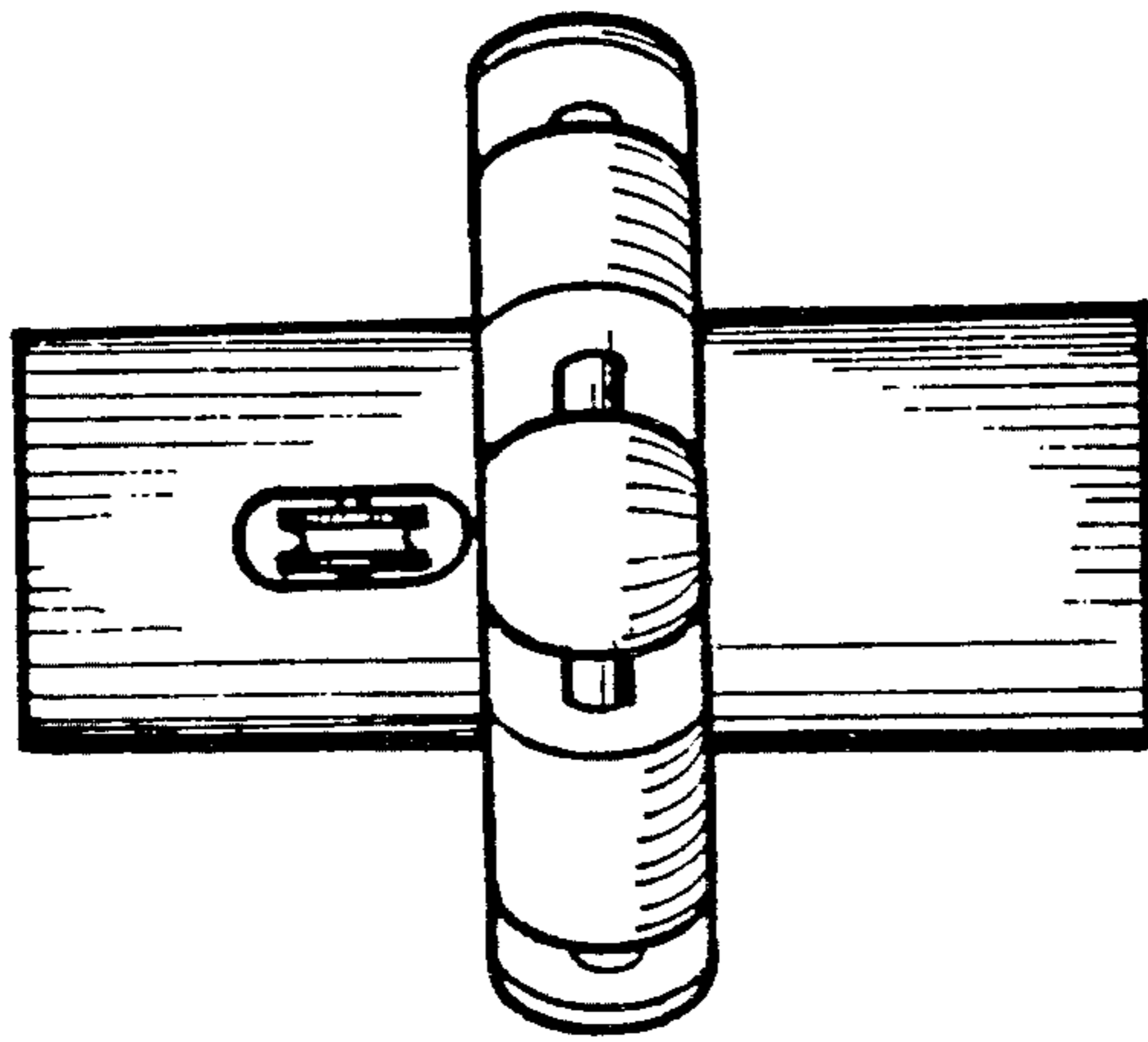


FIG-6

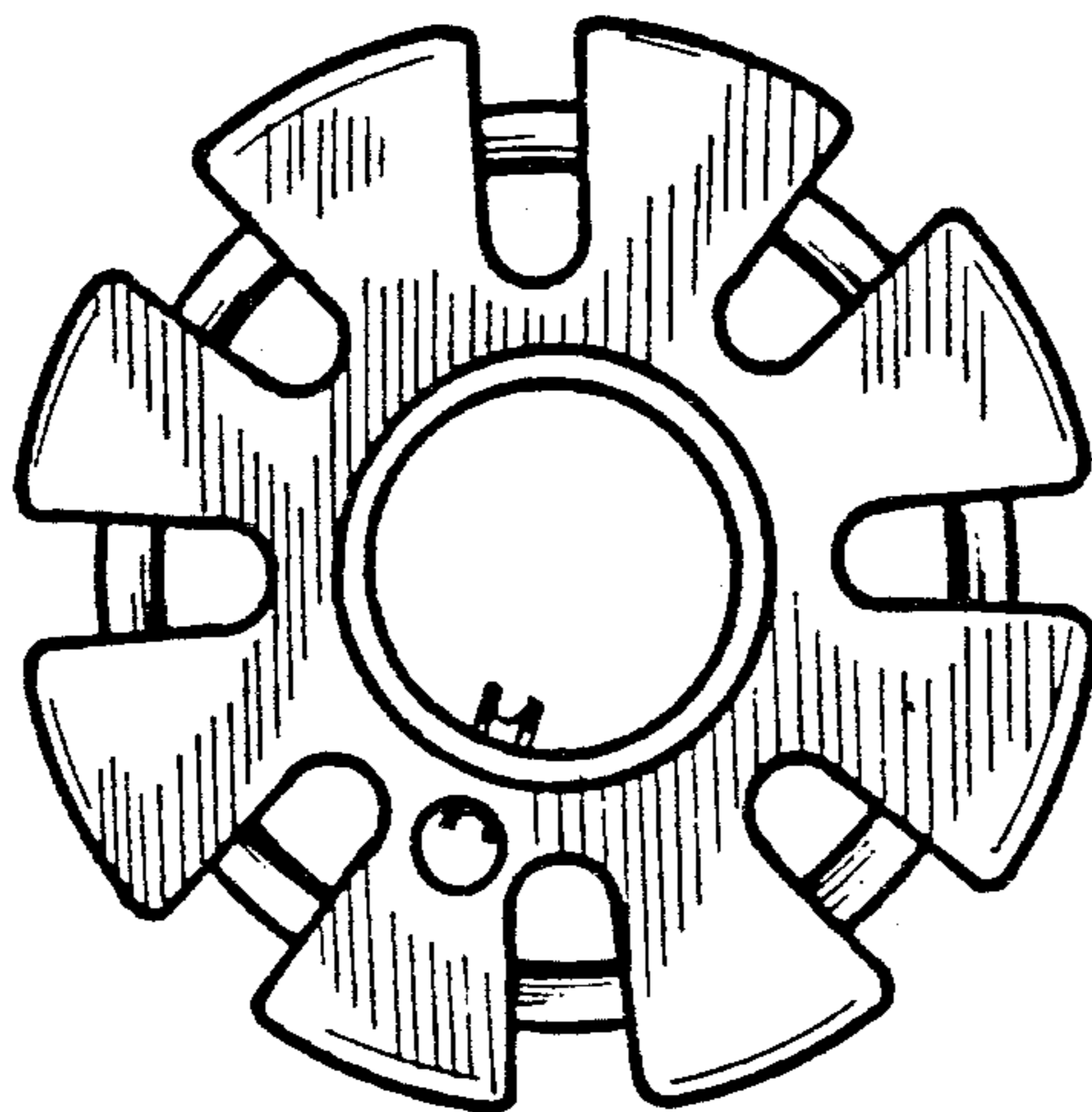


FIG-5