

[54] SANDAL

[76] Inventor: **Timothy J. Barcanic**, 5403 Cheshire Meadows Way, Fairfax, Va. 22032

[\*\*] Term: **14 Years**

[21] Appl. No.: **266,806**

[22] Filed: **Nov. 3, 1988**

[52] U.S. Cl. .... **D2/293**

[58] Field of Search ..... **D2/264, 265, 270, 283, D2/289-293, 300, 301; 36/7.1 R, 7.1 A, 7.5, 7.6, 7.8, 8.1, 10, 11, 11.5, 110**

[56] **References Cited**

**U.S. PATENT DOCUMENTS**

D. 149,180	4/1948	Gregg	.....	D2/283
3,553,754	1/1971	Mendelsohn	.....	D2/293 X
4,686,781	4/1987	Bury	.....	36/7.5
4,753,022	6/1988	Gasbarro	.....	36/11.5

**OTHER PUBLICATIONS**

Notion & Novelty Review, 2/1954, p. 124—sandals at top right.

*Primary Examiner*—Louis S. Zarfaz  
*Attorney, Agent, or Firm*—Witherspoon & Hargest

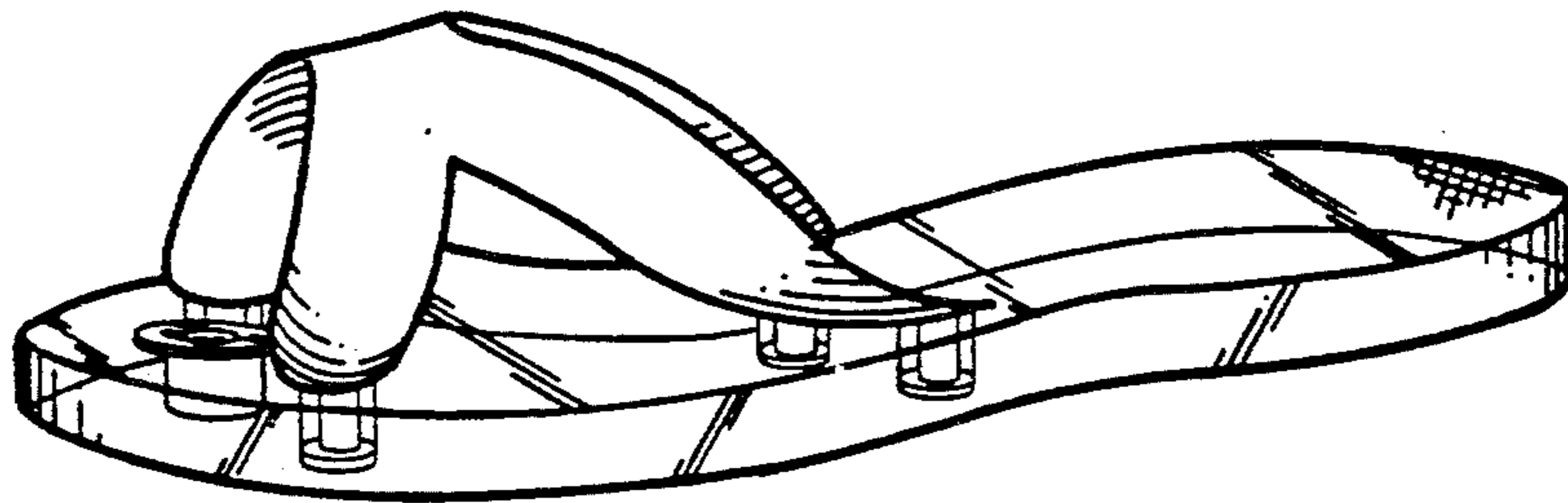
[57] **CLAIM**

The ornamental design for a sandal, as shown and described.

**DESCRIPTION**

FIG. 1 is a top front right perspective view of a sandal showing my new design;  
FIG. 2 is a bottom plan view;  
FIG. 3 is a top plan view;  
FIG. 4 is a front elevational view;  
FIG. 5 is a rear elevational view; and  
FIG. 6 is a cross-sectional view.

The continuous textures on the top and bottom are shown partially in FIGS. 2 and 3 for convenience of illustration.



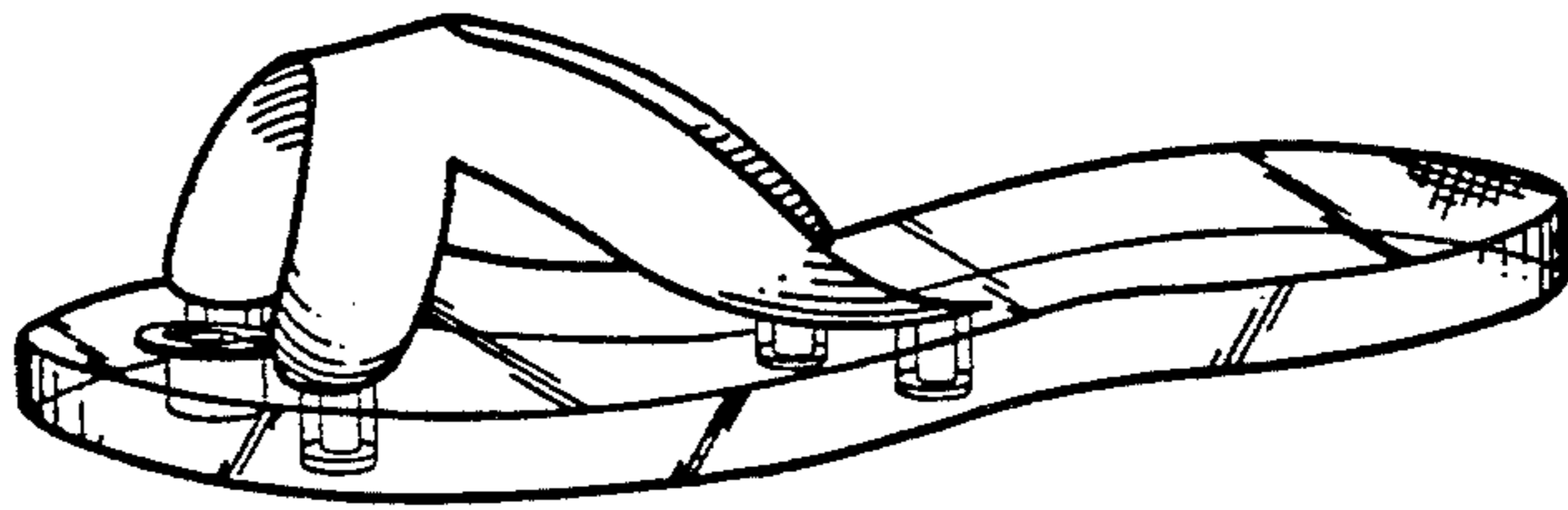


FIG. 1

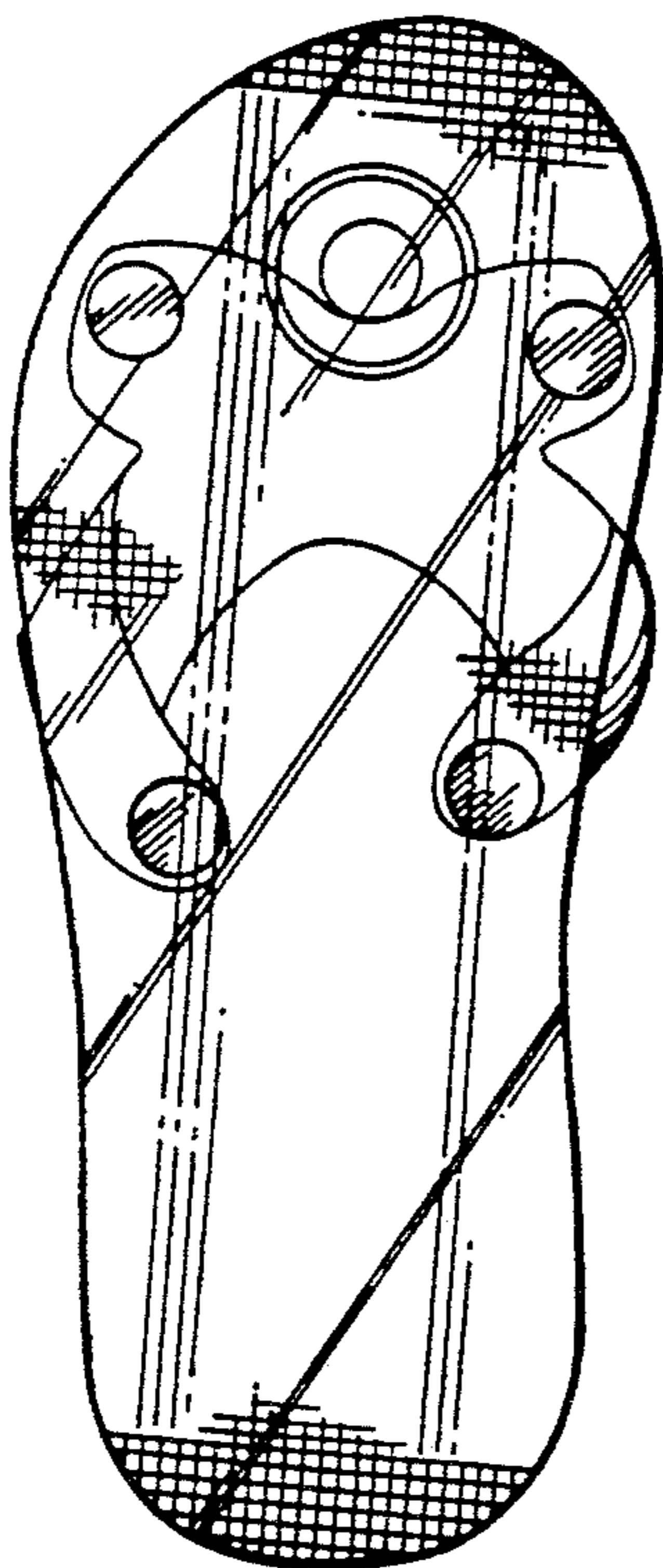


FIG. 2

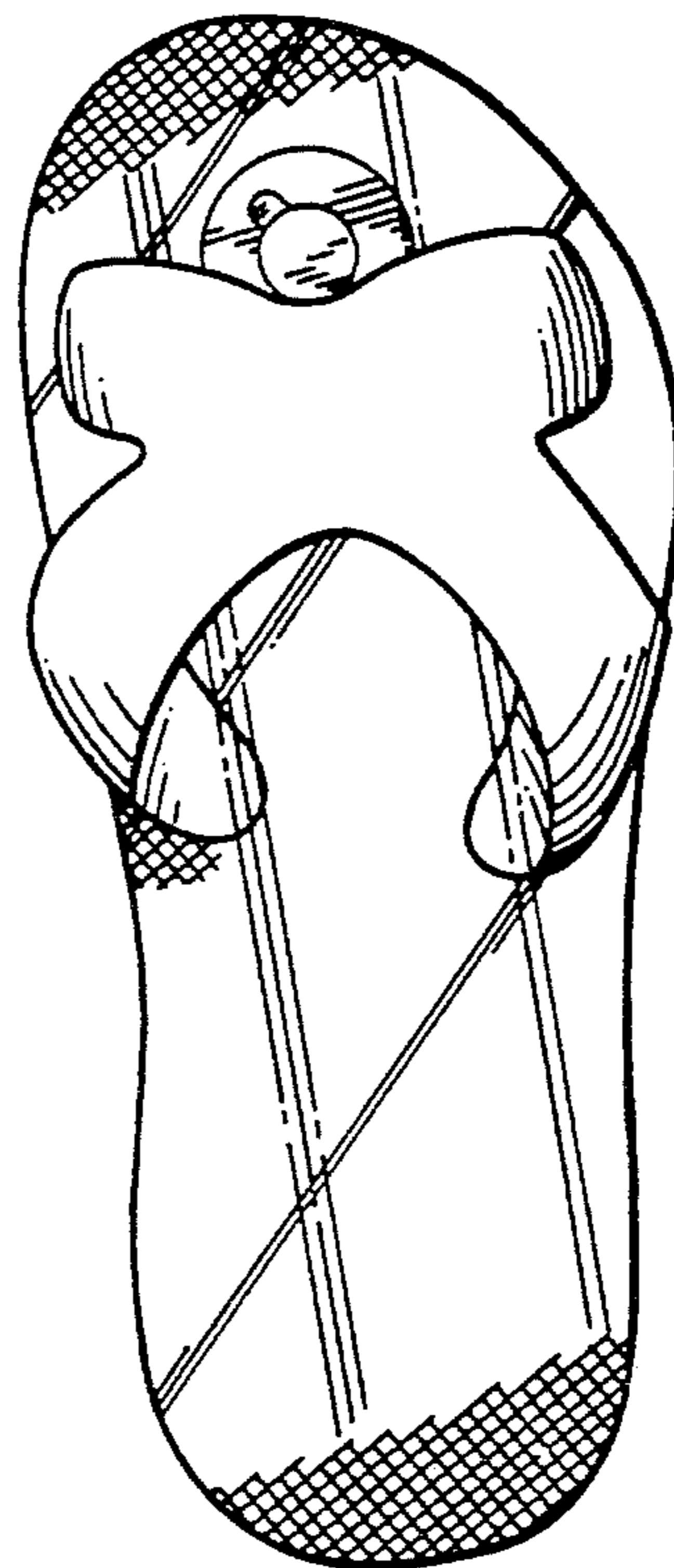


FIG. 3

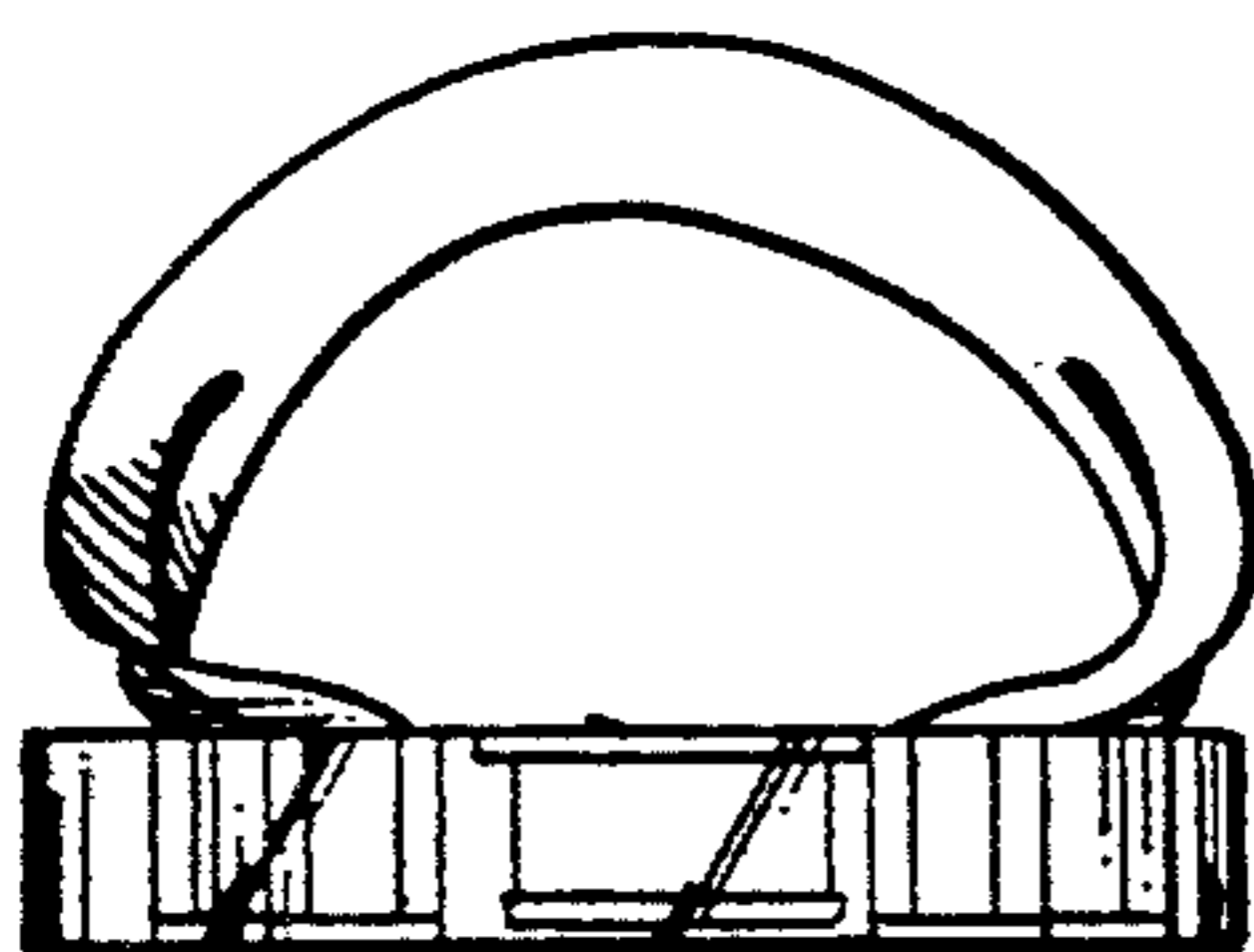


FIG. 4

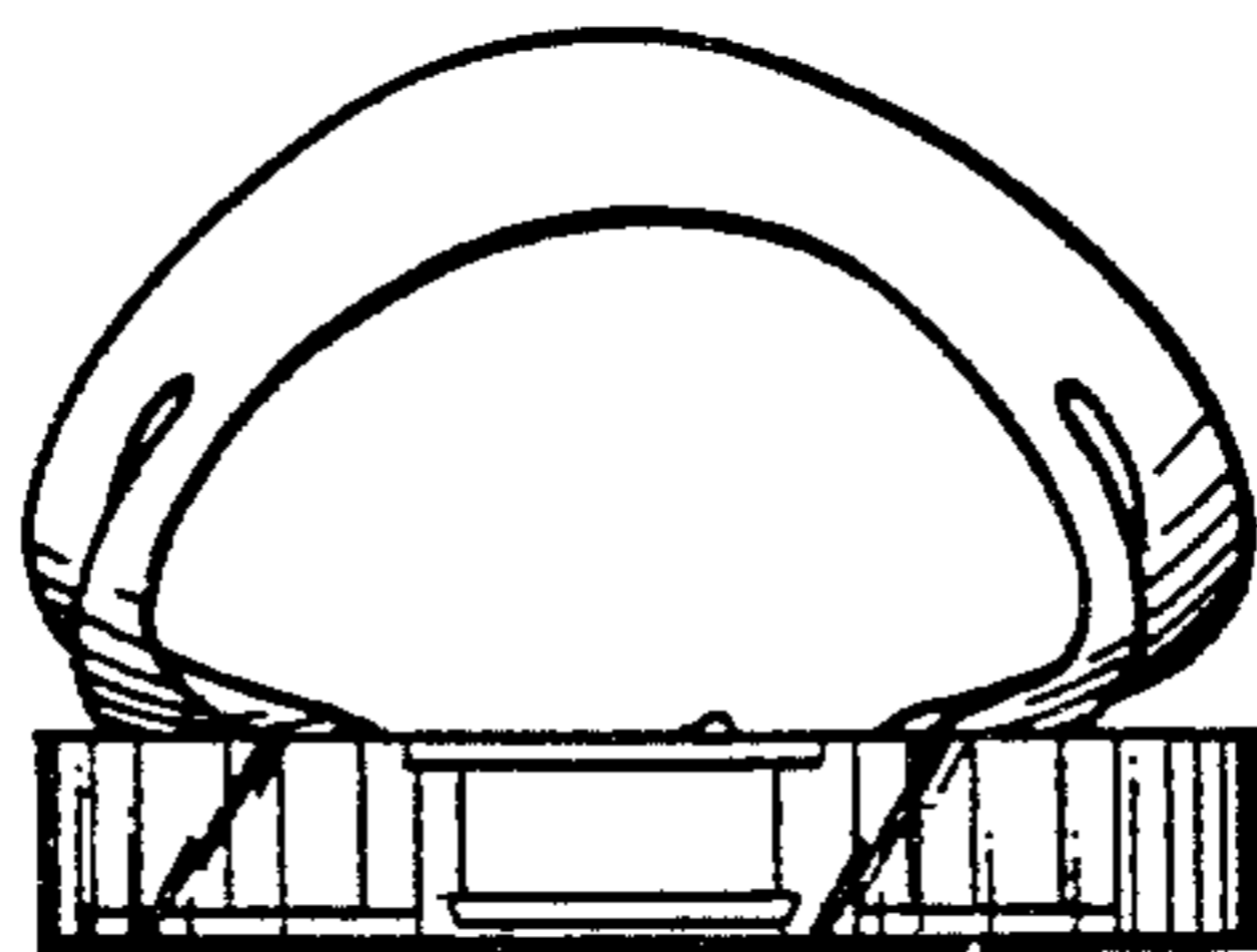


FIG. 5

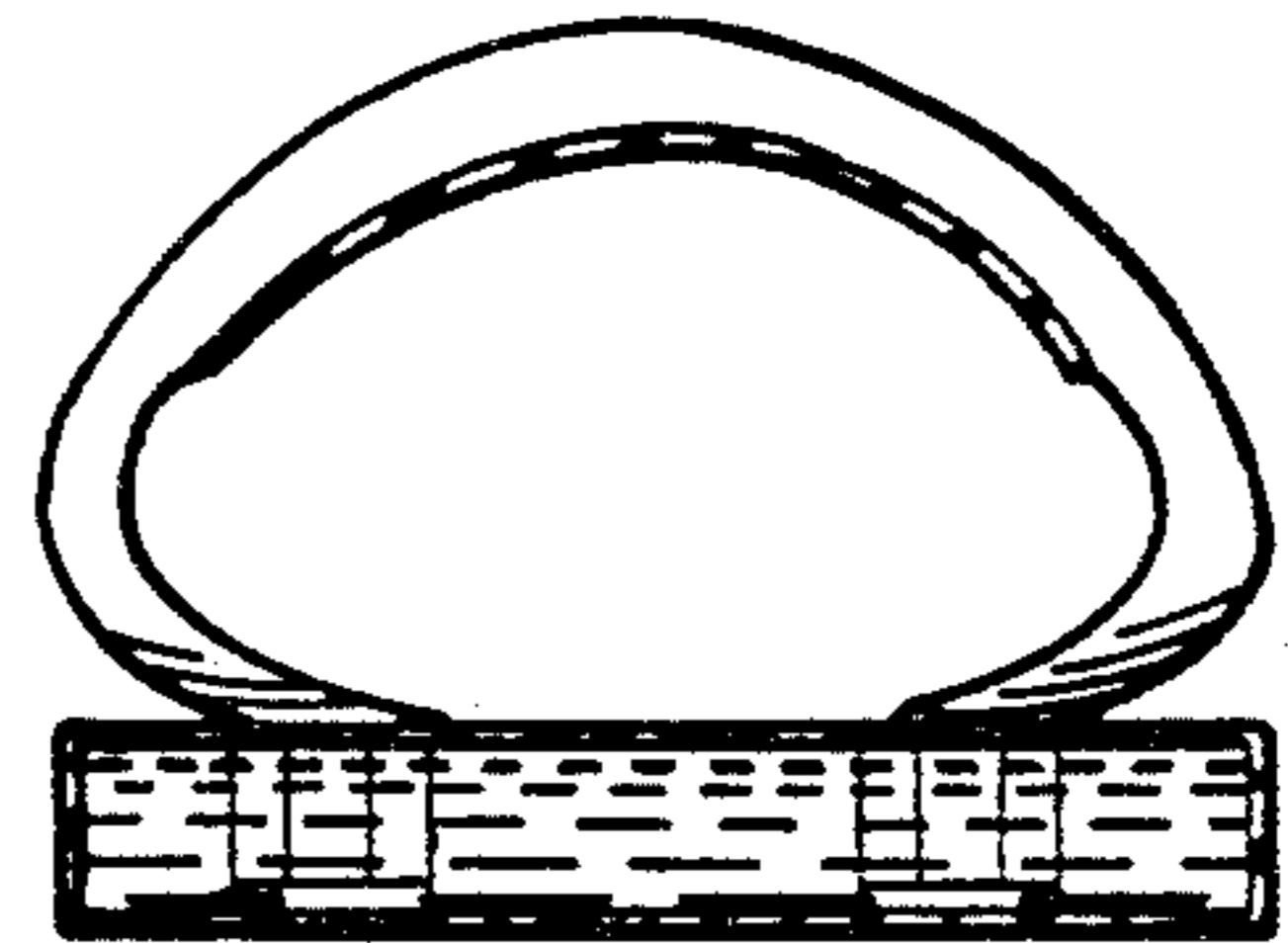


FIG. 6