

[54] TACK CART

[76] Inventor: Raymond R. Chiang, P.O. Box 1281
North Rd., Whitefish, Mont. 59937

[**] Term: 14 Years

[21] Appl. No.: 388,917

[22] Filed: Aug. 3, 1989

[52] U.S. Cl. D34/17; D34/26

[58] Field of Search D34/12, 17, 19, 21,
D34/22, 24, 26, 25; 280/79.11, 79.3, 47.35,
47.24, 47.19, 47.26, 47.23; 414/490

[56] References Cited

U.S. PATENT DOCUMENTS

D. 190,853 7/1961 Neville D34/26
D. 219,649 1/1971 Saleman D34/17

D. 262,918 2/1982 Perkins D30/44
D. 282,691 2/1986 Latino D34/17
2,754,130 7/1956 Procter 280/47.23
3,116,936 1/1964 Magarian 280/47.19
3,494,631 2/1970 Kreider 280/47.19
4,179,132 12/1979 Rich 280/47.26
4,356,922 11/1982 Dierksheide 211/13
4,737,065 4/1988 Ju D34/24

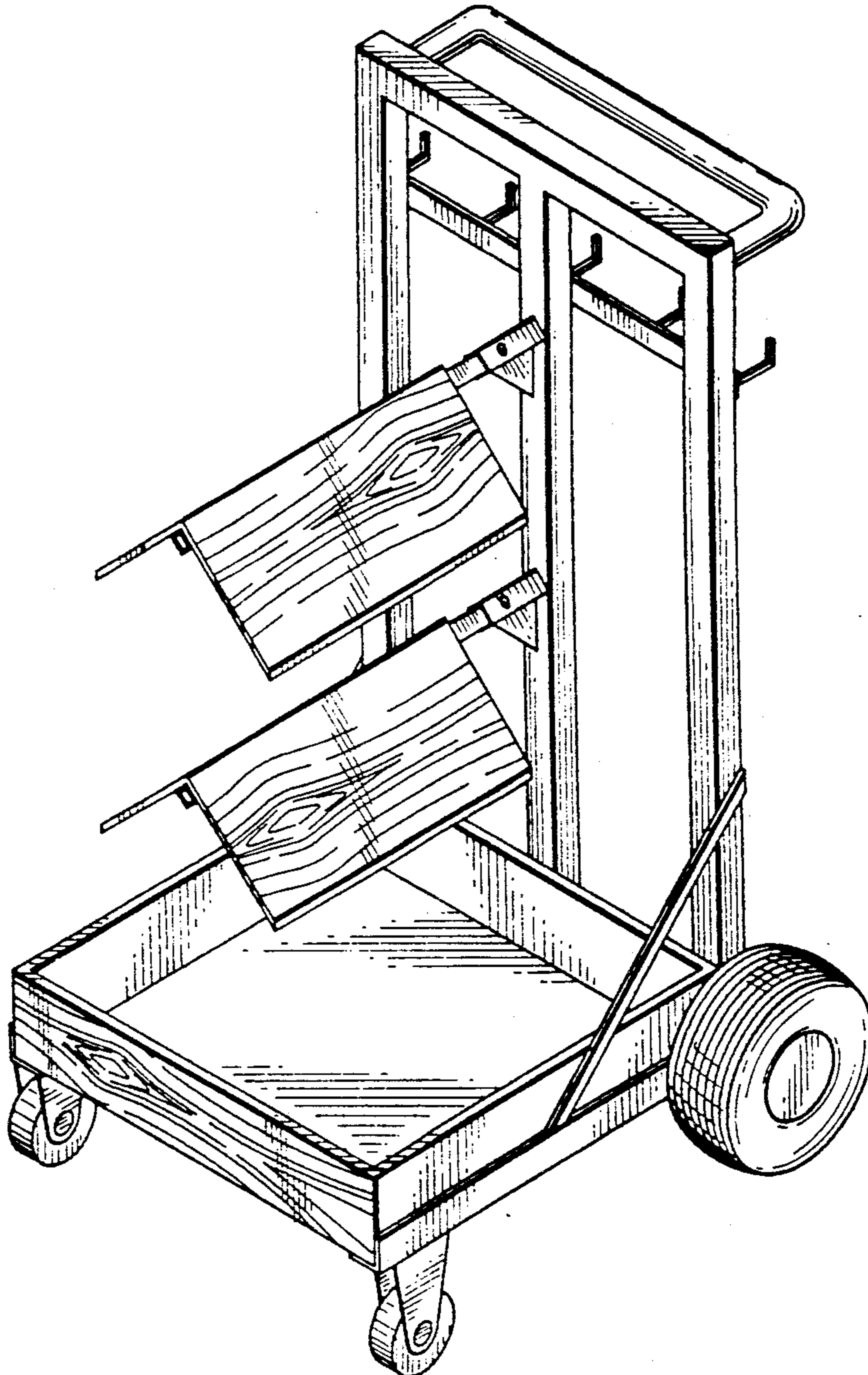
Primary Examiner—Kay H. Chin

[57] CLAIM

The ornamental design for a tack cart, as shown and described.

DESCRIPTION

FIG. 1 is a top and front perspective view of a tack cart showing my new design; and
FIG. 2 is a rear perspective view thereof.
The undisclosed bottom is flat and unornamented.



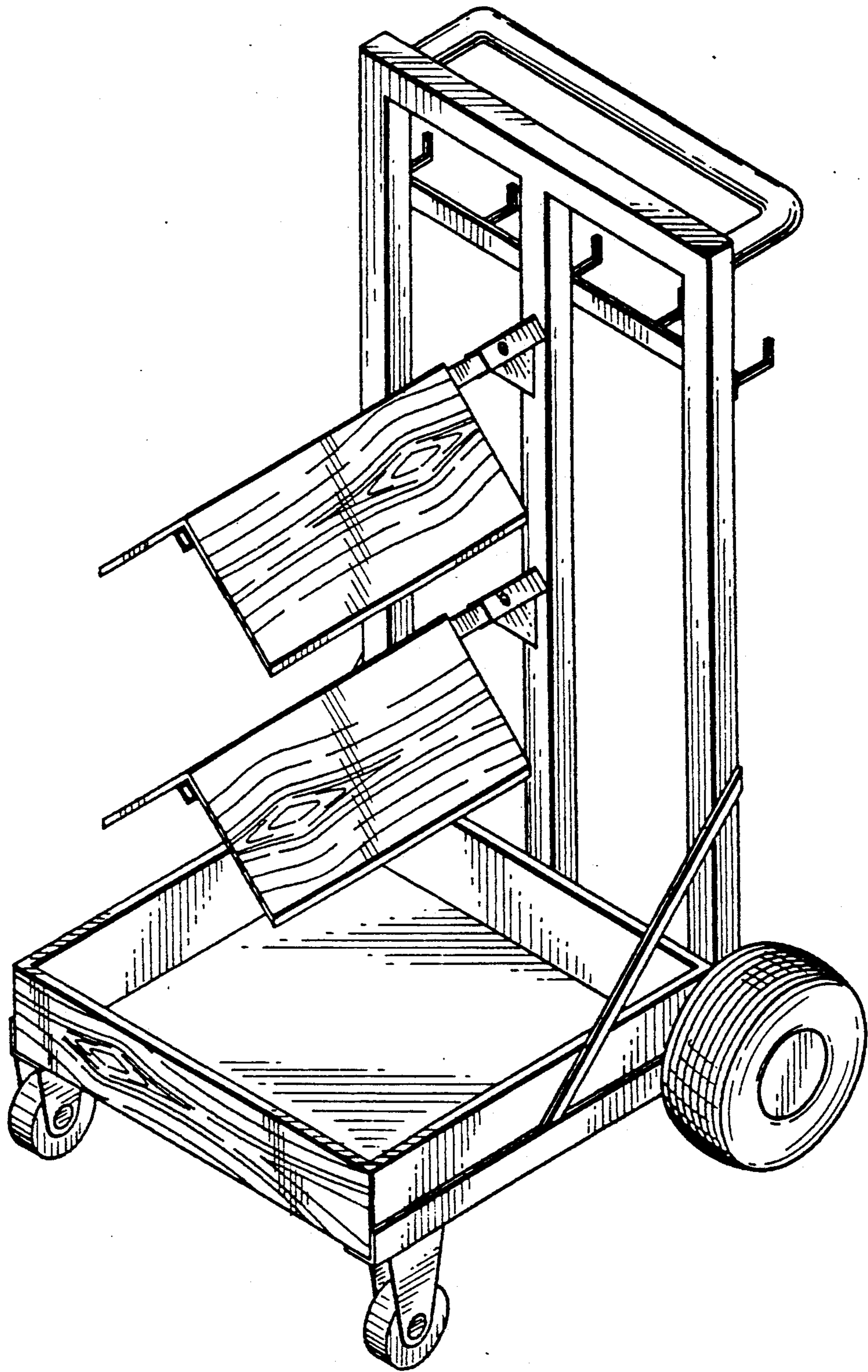


FIG. 1

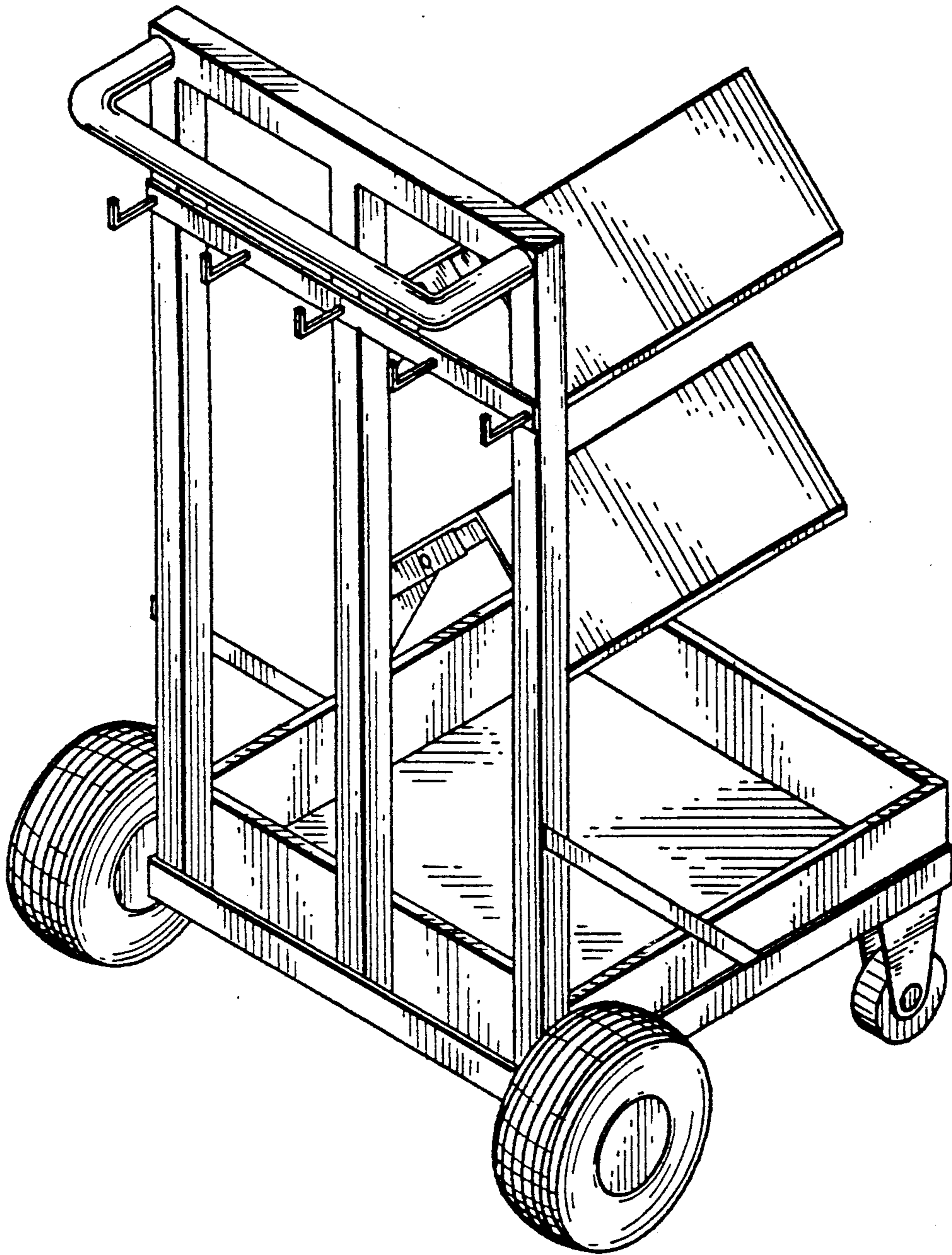


FIG. 2