

[54] SUSPENDED SUCTION HEAD FOR REMOVAL OF FREE FLOATING OIL

[76] Inventor: Patrick C. Armour, 667 Kingman Dr., Vacaville, Calif. 95687

[**] Term: 14 Years

[21] Appl. No.: 346,754

[22] Filed: May 2, 1989

[52] U.S. Cl. D32/25

[58] Field of Search D32/25; 210/242.3, 241

[56] References Cited

U.S. PATENT DOCUMENTS

3,547,553	12/1970	Stanfield	210/242.3	X
3,642,140	2/1972	Parker	210/242.3	
3,659,715	5/1972	Shaler et al.	210/242.3	
3,753,496	8/1973	Boyd	210/242.3	
4,840,729	6/1989	Levine	210/241	X

Primary Examiner—A. Hugo Word

Assistant Examiner—Paula Allen
Attorney, Agent, or Firm—Lothrop & West

[57] CLAIM

The ornamental design for a suspended suction head for removal of free floating oil, as shown and described.

DESCRIPTION

FIG. 1 is a front perspective view of a suspended suction head for removal of free floating oil showing my new design;

FIG. 2 is a top plan view, thereof;

FIG. 3 is a front elevational view thereof;

FIG. 4 is a rear elevational view thereof;

FIG. 5 is an enlarged front elevational view of the suction head portion thereof;

FIG. 6 is a side elevational view thereof, the opposite side is a mirror image thereof;

FIG. 7 is a rear elevational view thereof;

FIG. 8 is a top plan view thereof; and

FIG. 9 is a bottom plan view thereof.

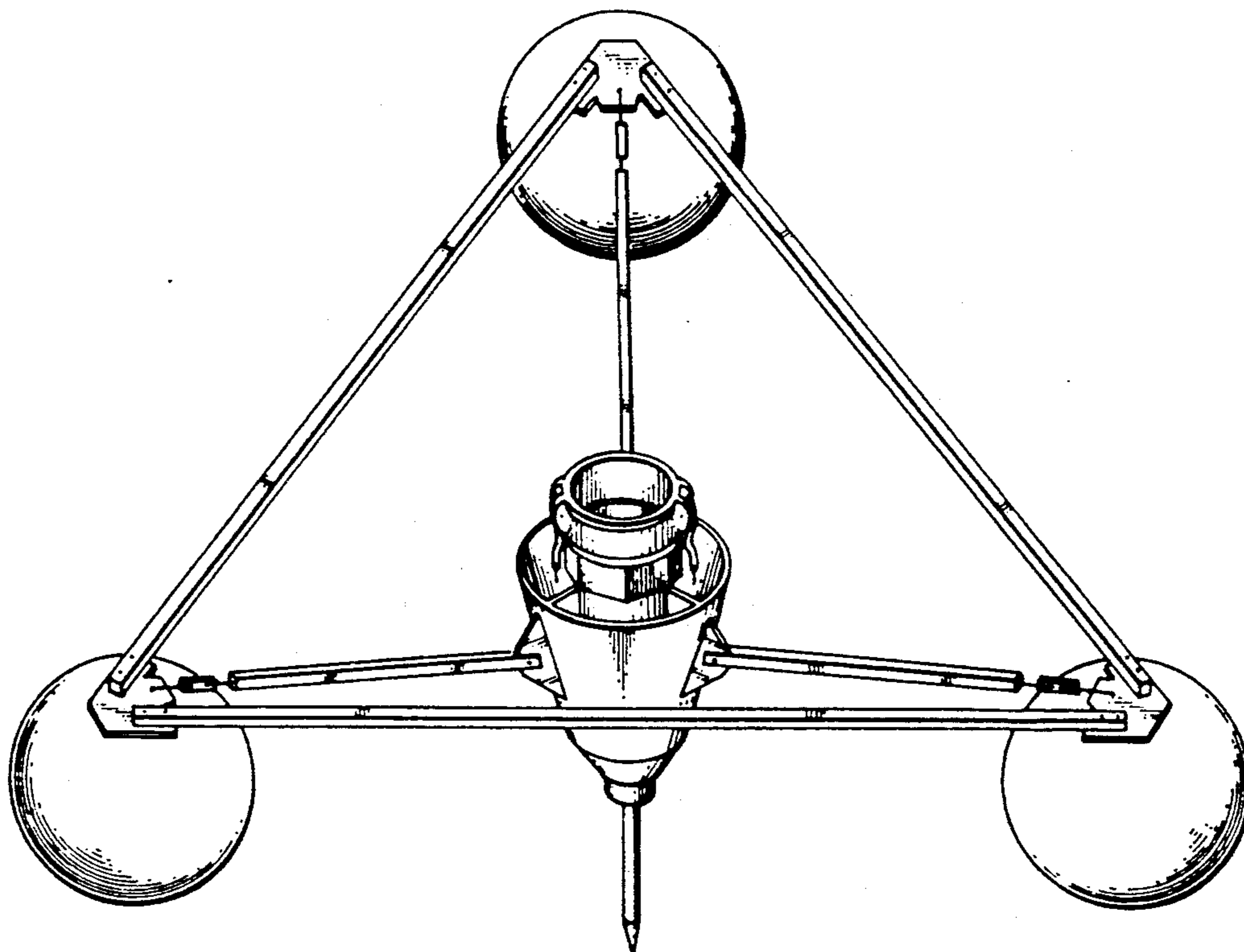


FIG. 1.

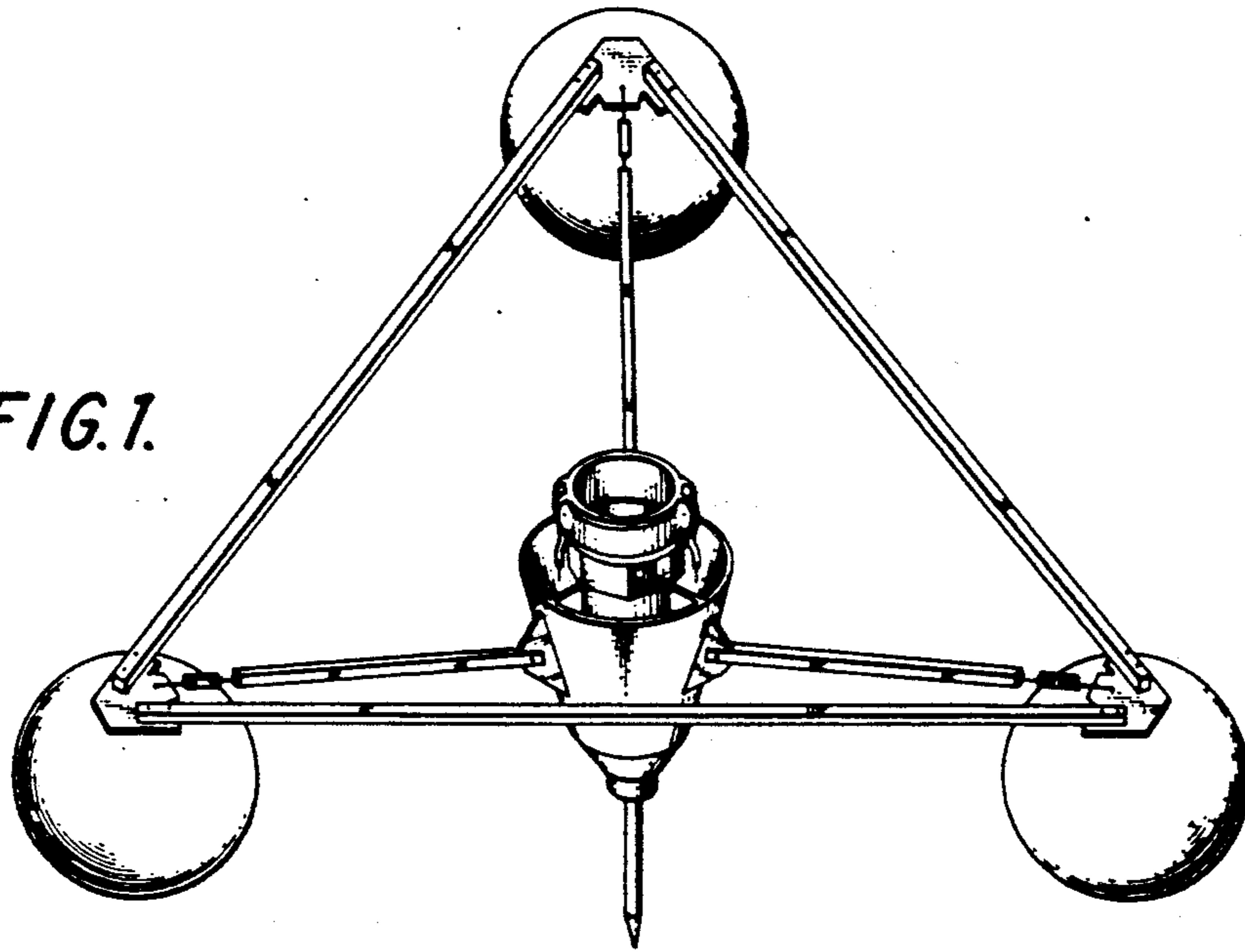


FIG. 2.

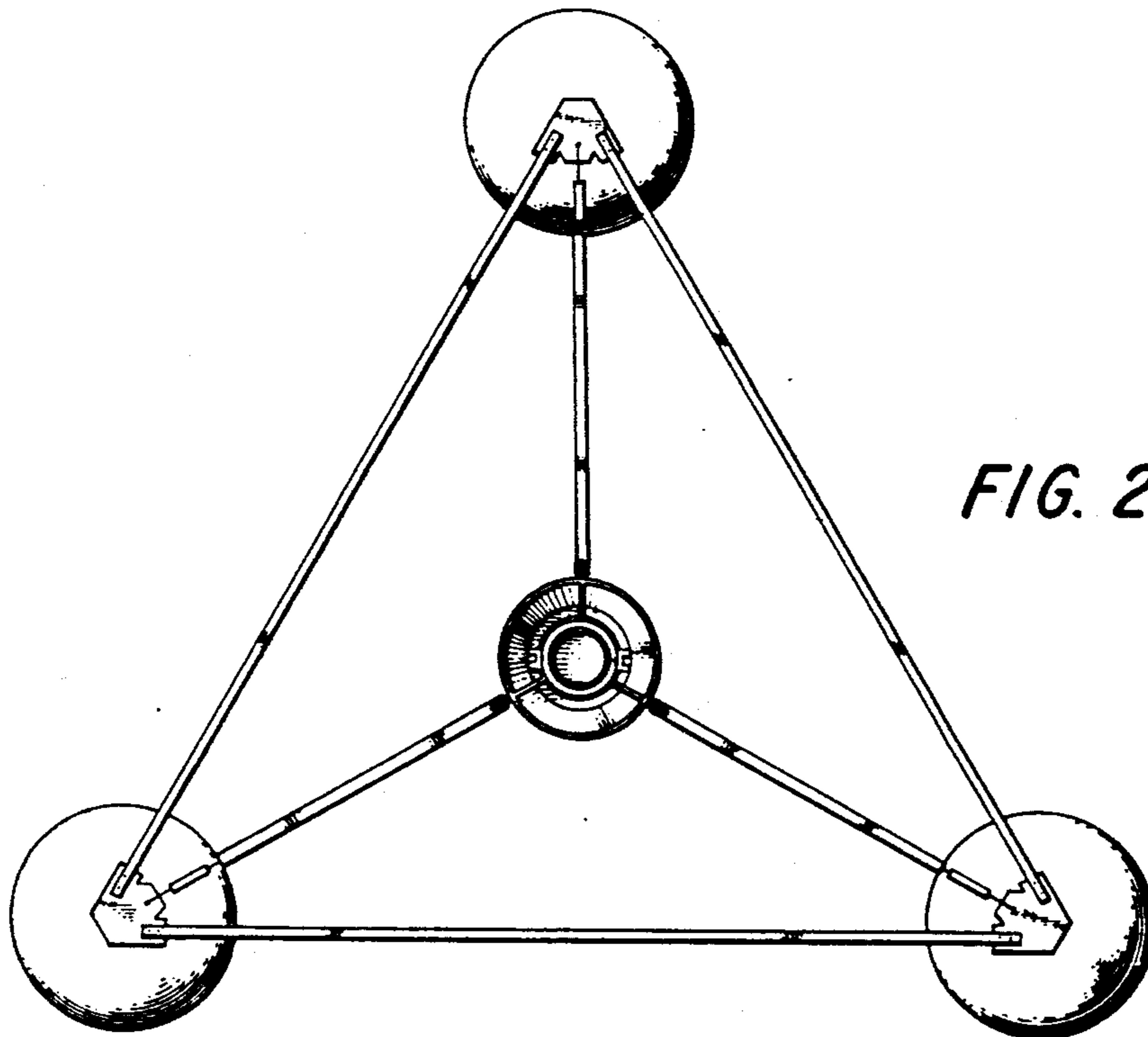


FIG. 3.

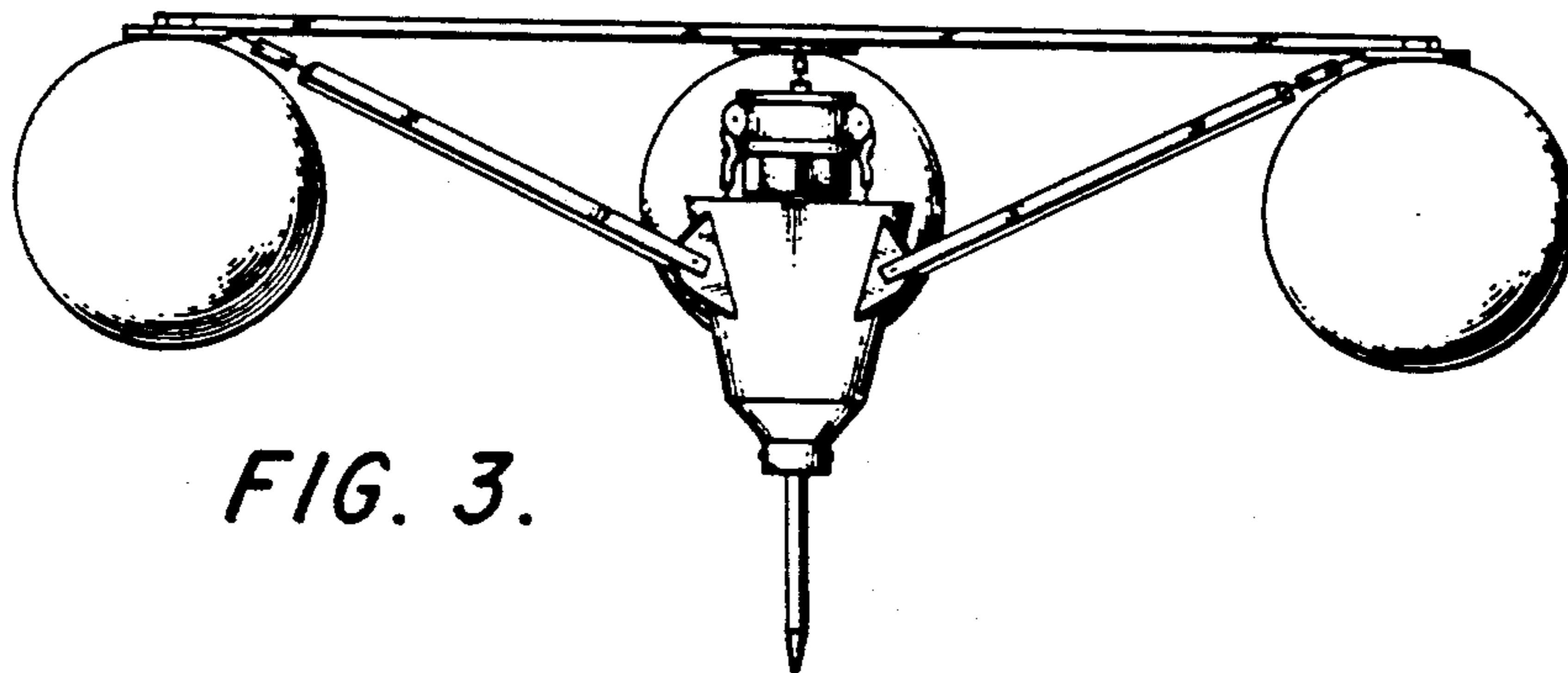


FIG. 4.

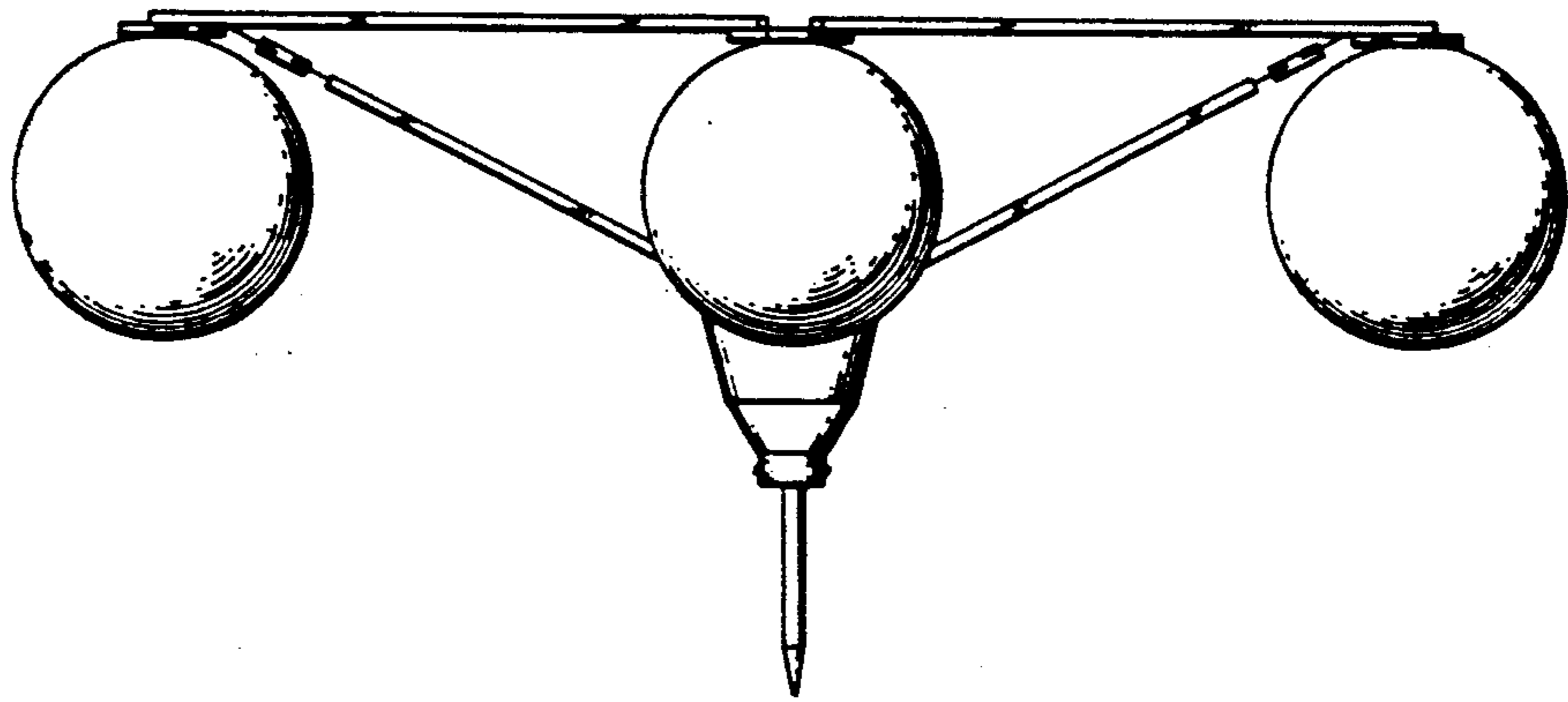


FIG. 5.

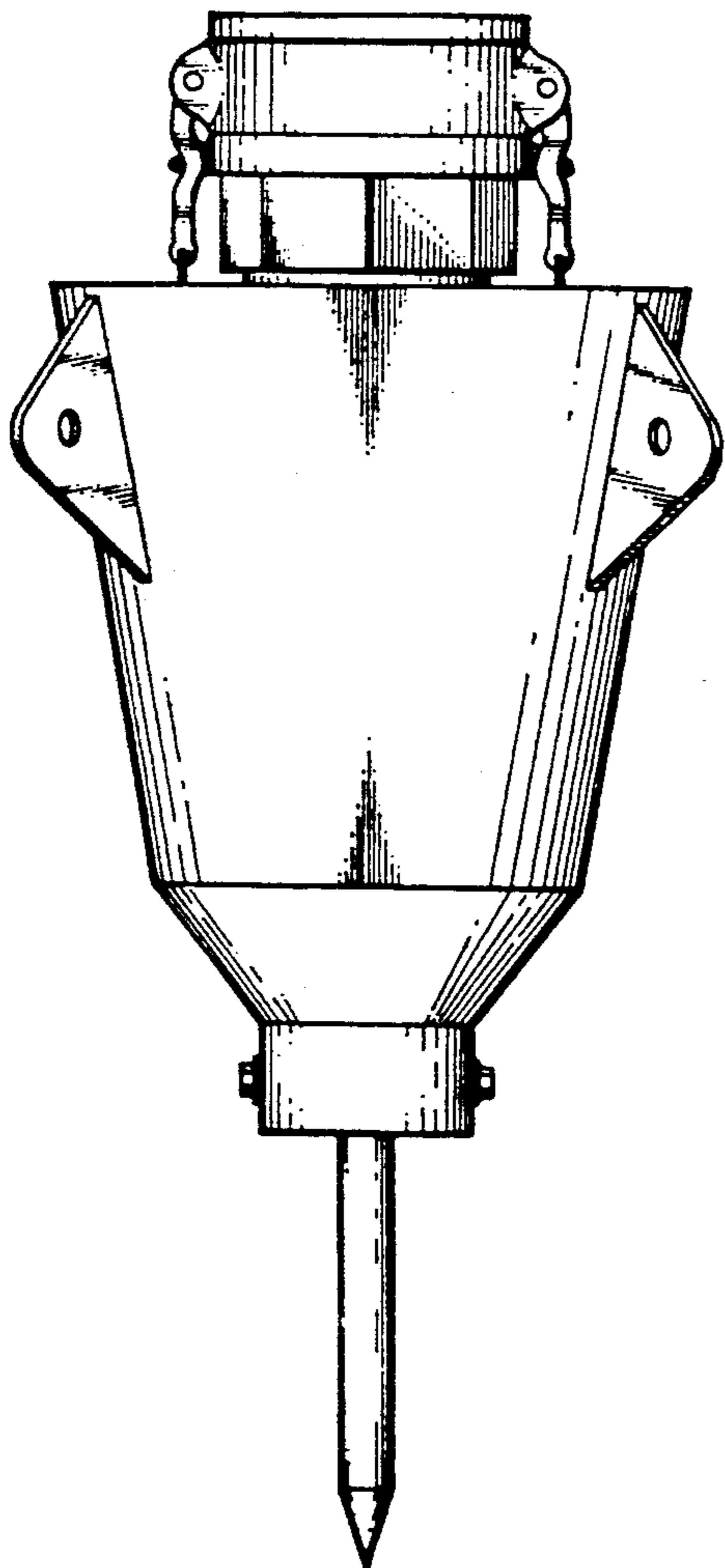
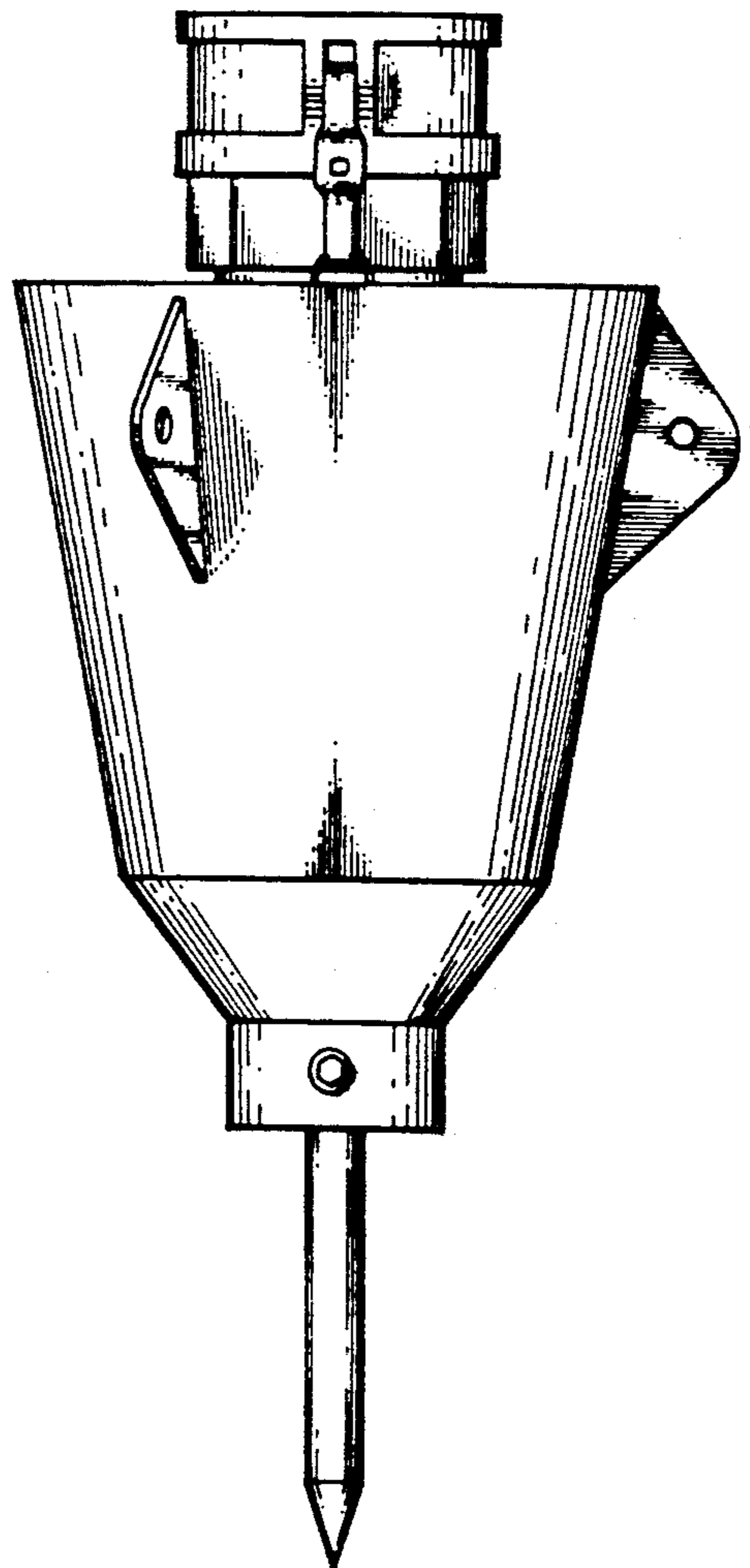


FIG. 6.



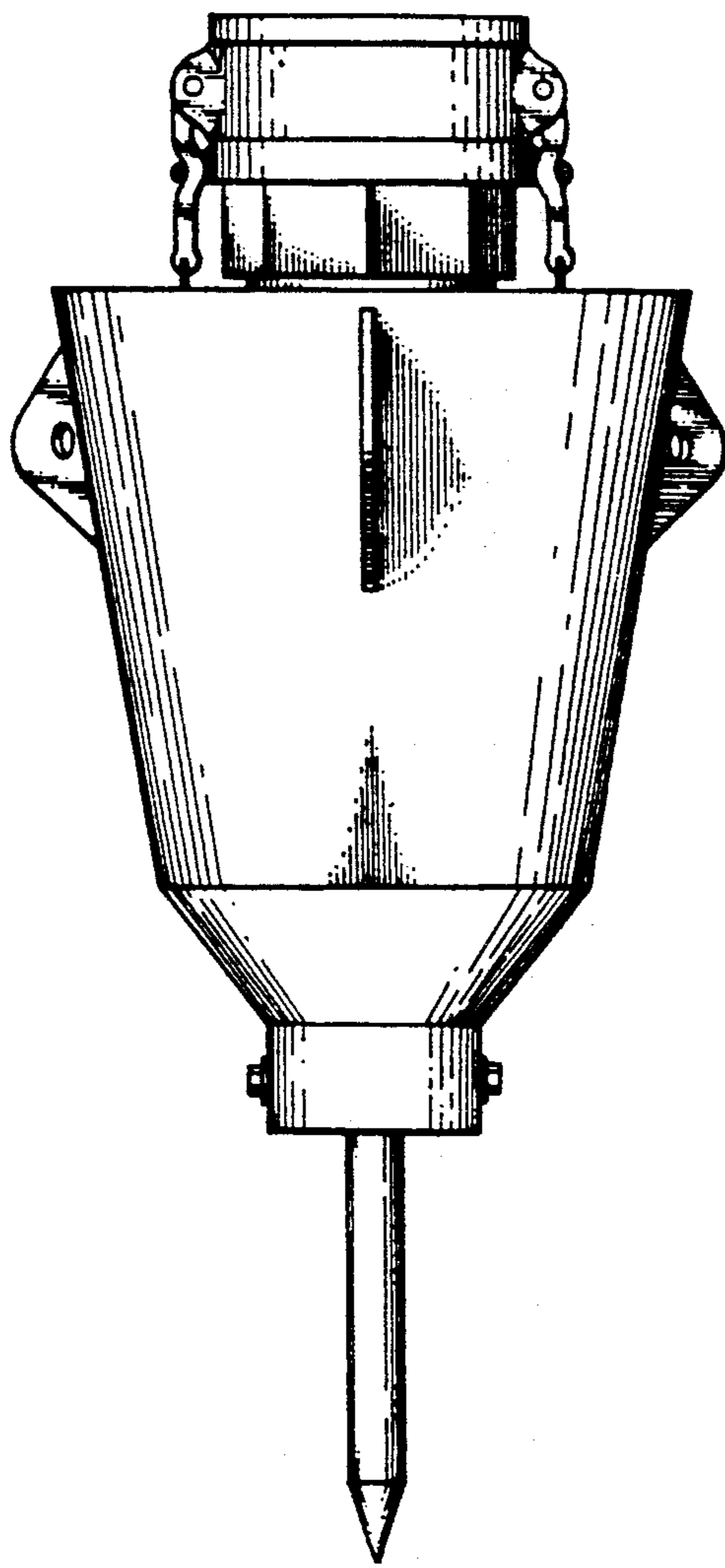


FIG. 7.

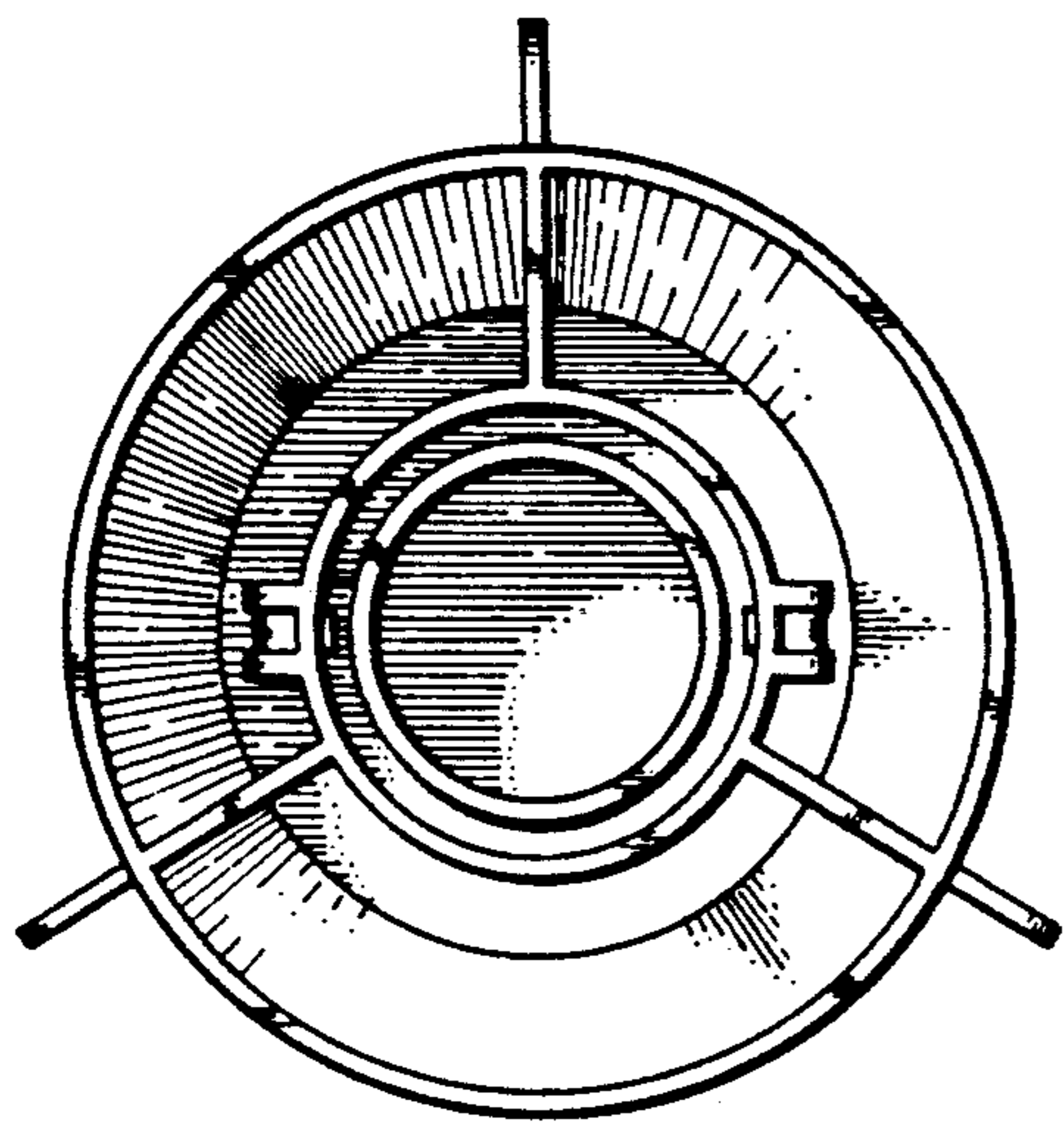


FIG. 8.

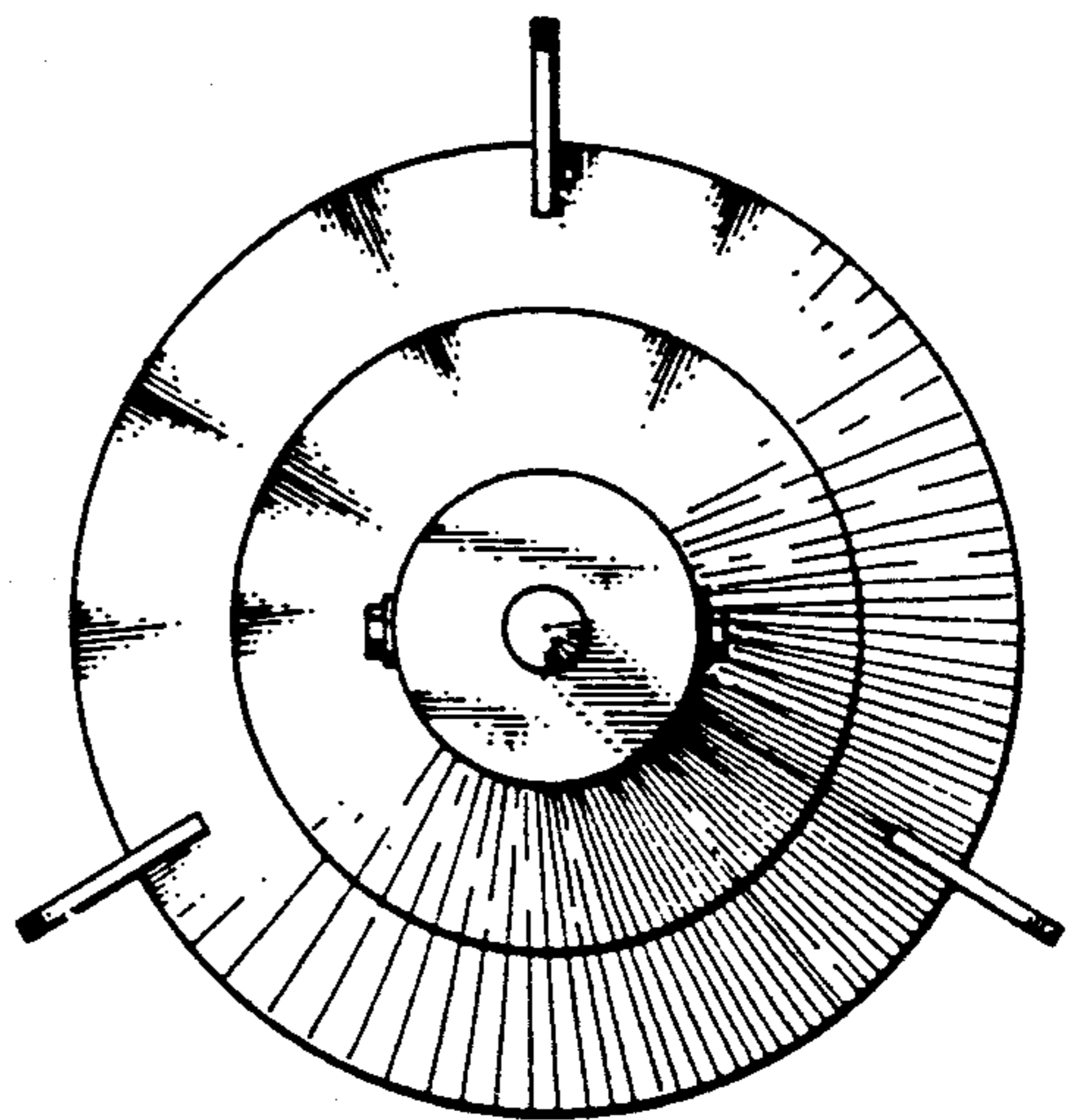


FIG. 9.