

[54] COMBINED COMB AND HOLDER FOR PERMANENT WAVE PAPER

[76] Inventors: Lowell C. Babcock, 1647 Park Ave., Sycamore, Ill. 60178; Betty J. Bolger, R.R. 1, Box 534, Genoa, Ill. 60135

[**] Term: 14 Years

[21] Appl. No.: 420,833

[22] Filed: Oct. 12, 1989

[52] U.S. Cl. D28/25

[58] Field of Search D28/21, 25, 26, 27, D28/30, 34; 132/146, 148, 150, 120, 122, 212, 219

[56] References Cited

U.S. PATENT DOCUMENTS

D. 304,383	10/1989	Babcock	D28/34
2,595,049	4/1952	Boissoneau et al.	132/148 X
2,616,435	11/1952	Lupo	132/148 X
3,552,403	1/1971	Sestito	132/150

OTHER PUBLICATIONS

Modern Beauty Shop; 9/1968; p. 165; right, "Ace No. 9" comb and comb at center.

Primary Examiner—Bernard Ansher

Assistant Examiner—C. Tuttle

Attorney, Agent, or Firm—Mathew R. P. Perrone, Jr.

[57] CLAIM

The ornamental design for a combined comb and holder for permanent wave paper, as shown and described.

DESCRIPTION

FIG. 1 is a top perspective view of a combined comb and holder for permanent wave paper showing our new design;

FIG. 2 is a front elevational view thereof;

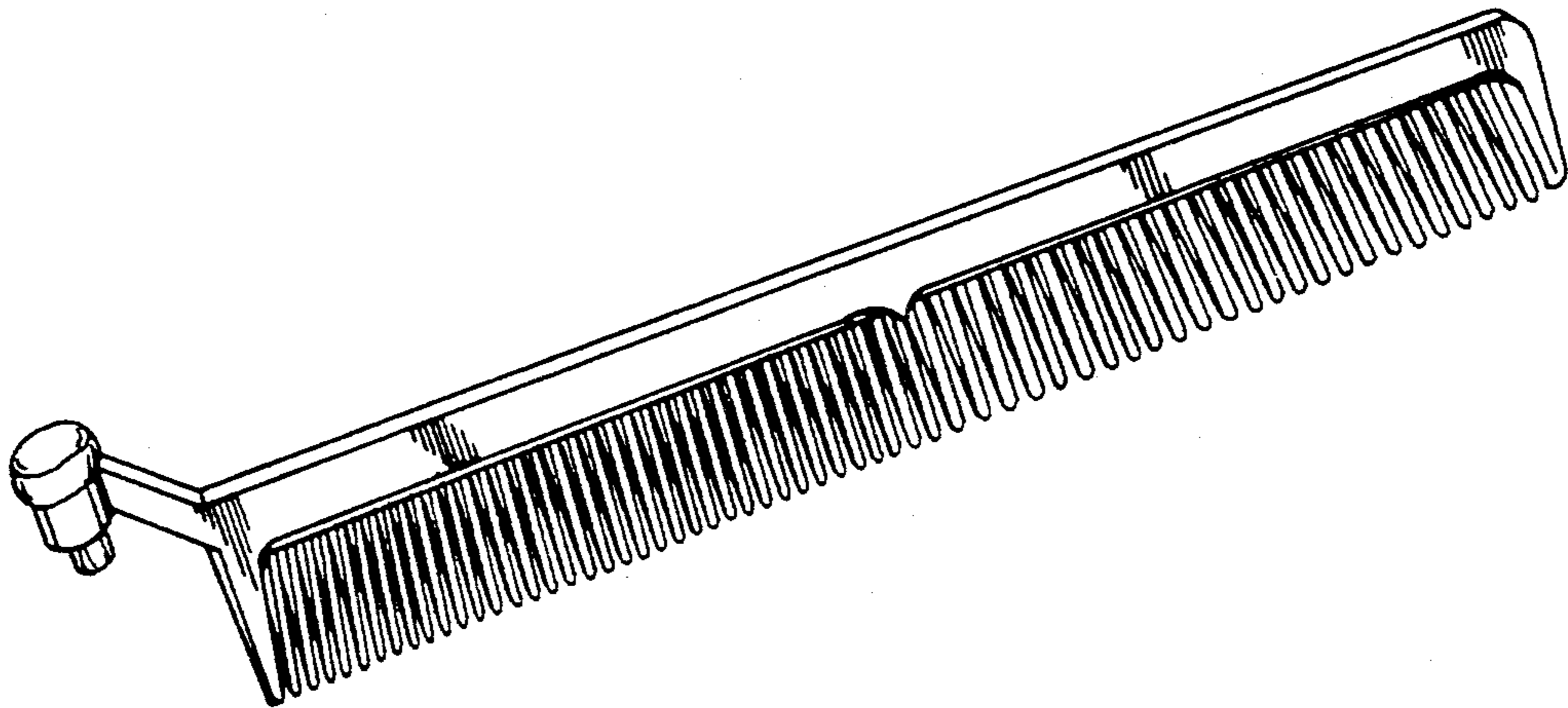
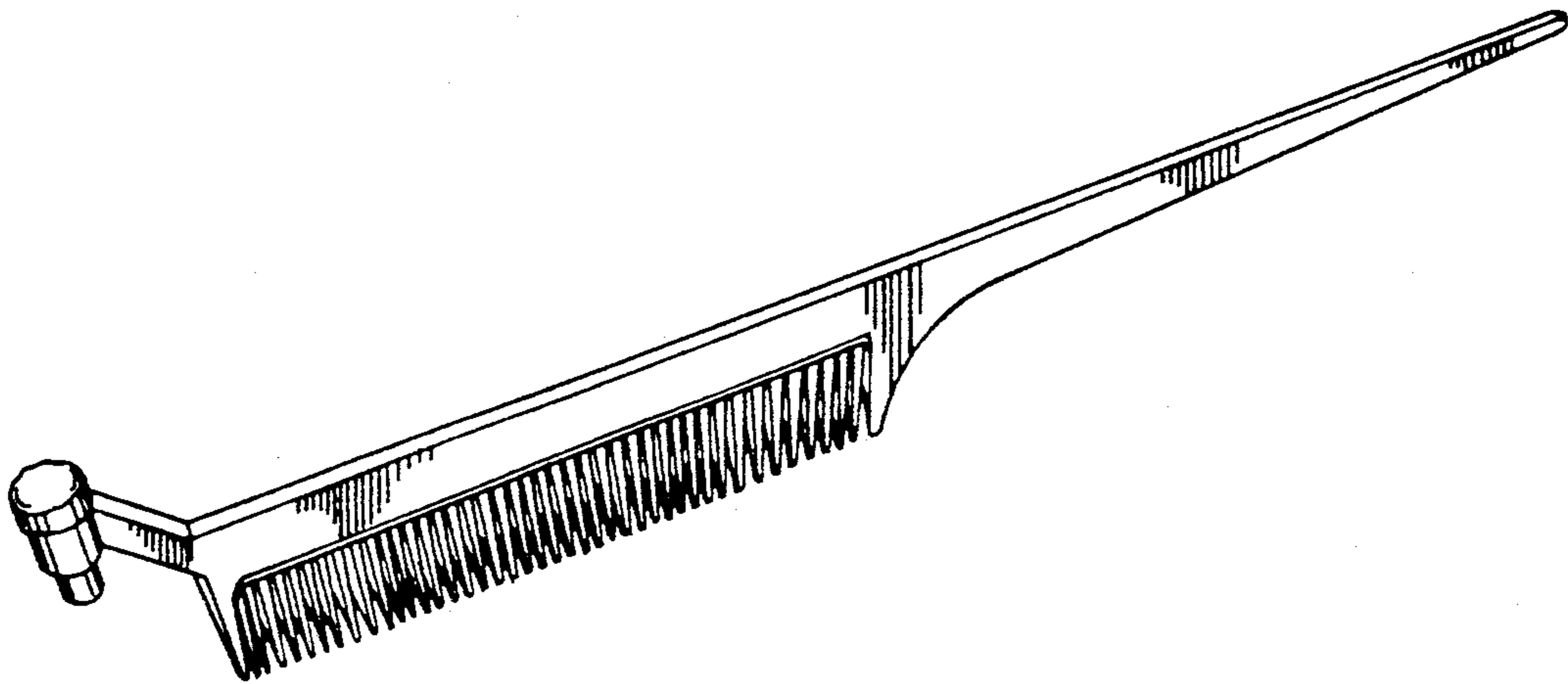
FIG. 3 is a rear elevational view thereof;

FIG. 4 is a side elevational view thereof, the side opposite being a mirror image of the side shown;

FIG. 5 is a bottom plan view thereof;

FIG. 6 is a top plan view thereof; and

FIG. 7 is a top perspective view of a second modified embodiment.



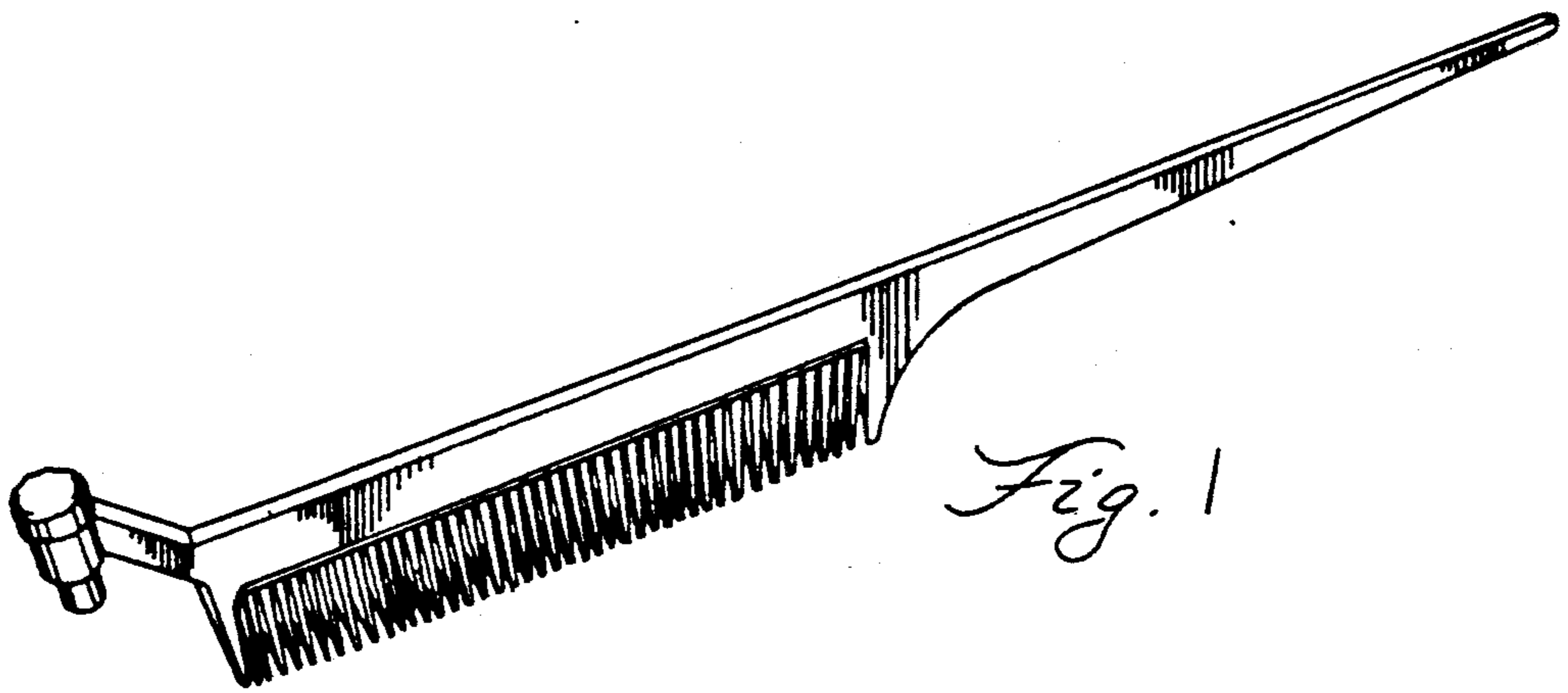


Fig. 1



Fig. 2



Fig. 3

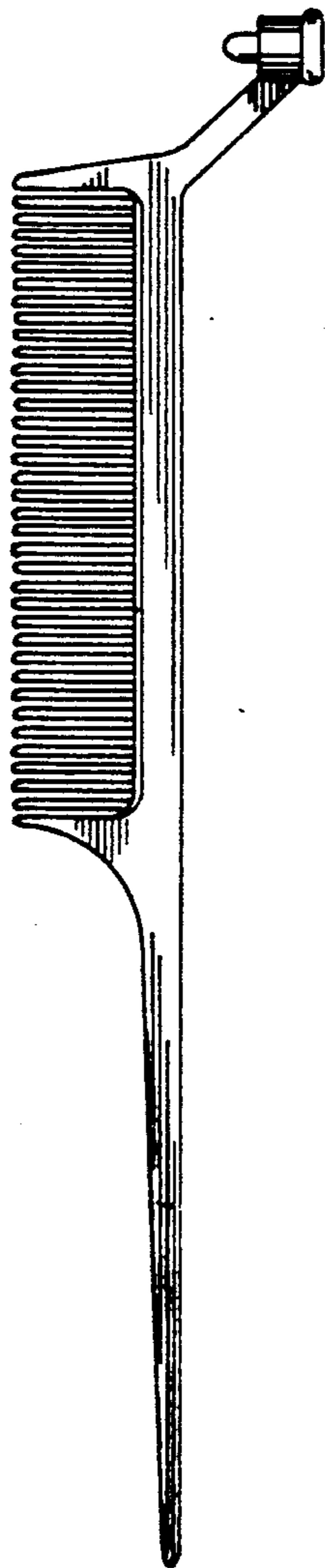


Fig. 4



Fig. 5



Fig. 6

Fig. 7

