

[54] ADJUSTABLE LAMP

[75] Inventor: Hans Von Klier, Milan, Italy

[73] Assignee: Olivetti Synthesis SpA, Italy

[**] Term: 14 Years

[21] Appl. No.: 537,107

[22] Filed: Jun. 13, 1990

Related U.S. Application Data

[62] Division of Ser. No. 287,997, Dec. 21, 1988, Pat. No. D. 315,804.

[30] Foreign Application Priority Data

Jun. 27, 1988 [IT] Italy 53260/88[U]

[52] U.S. Cl. D26/63

[58] Field of Search D26/60-66;
362/269, 410; 147/414, 418, 419, 428, 432, 401,
402

[56] References Cited

U.S. PATENT DOCUMENTS

D. 266,958	11/1982	Gernhardt	D26/92
D. 284,108	6/1986	Bonetto	D26/65
D. 302,865	8/1989	Von Klier	D26/63
3,790,773	2/1974	Sapper	362/401
4,494,177	1/1985	Mathews	362/418 X

OTHER PUBLICATIONS

Abitare Supplement #176, 7-8-1979, p. 9, floor lamp.
Abitare Supplement #176, 7-8-1979, p. 9, ceiling lamp.

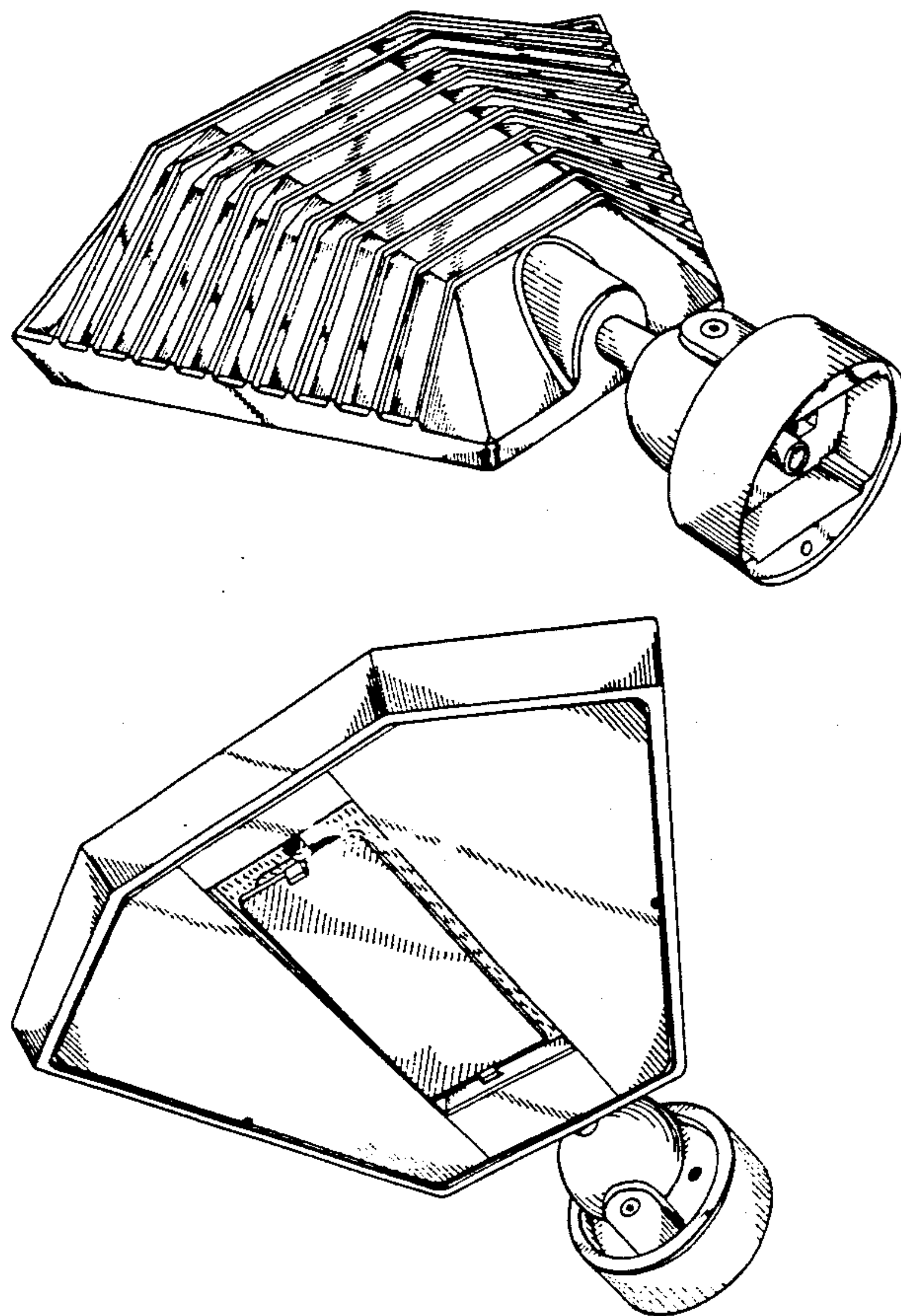
Primary Examiner—Susan J. Lucas
Attorney, Agent, or Firm—Banner, Birch, McKie & Beckett

[57] CLAIM

The ornamental design for an adjustable lamp, as shown and described.

DESCRIPTION

FIG. 1 is a top perspective view of an adjustable lamp showing my new design;
 FIG. 2 is a bottom perspective view thereof;
 FIG. 3 is a right side elevational view thereof, the left side being a mirror image;
 FIG. 4 is a front elevational view thereof;
 FIG. 5 is a top plan view thereof;
 FIG. 6 is a bottom plan view thereof;
 FIG. 7 is a top perspective view of a second embodiment of my new design;
 FIG. 8 is a bottom perspective view thereof;
 FIG. 9 is a front elevational view thereof;
 FIG. 10 is a top plan view thereof;
 FIG. 11 is a bottom plan view thereof;
 FIG. 12 is a left side elevational view thereof, the right side being a mirror image.



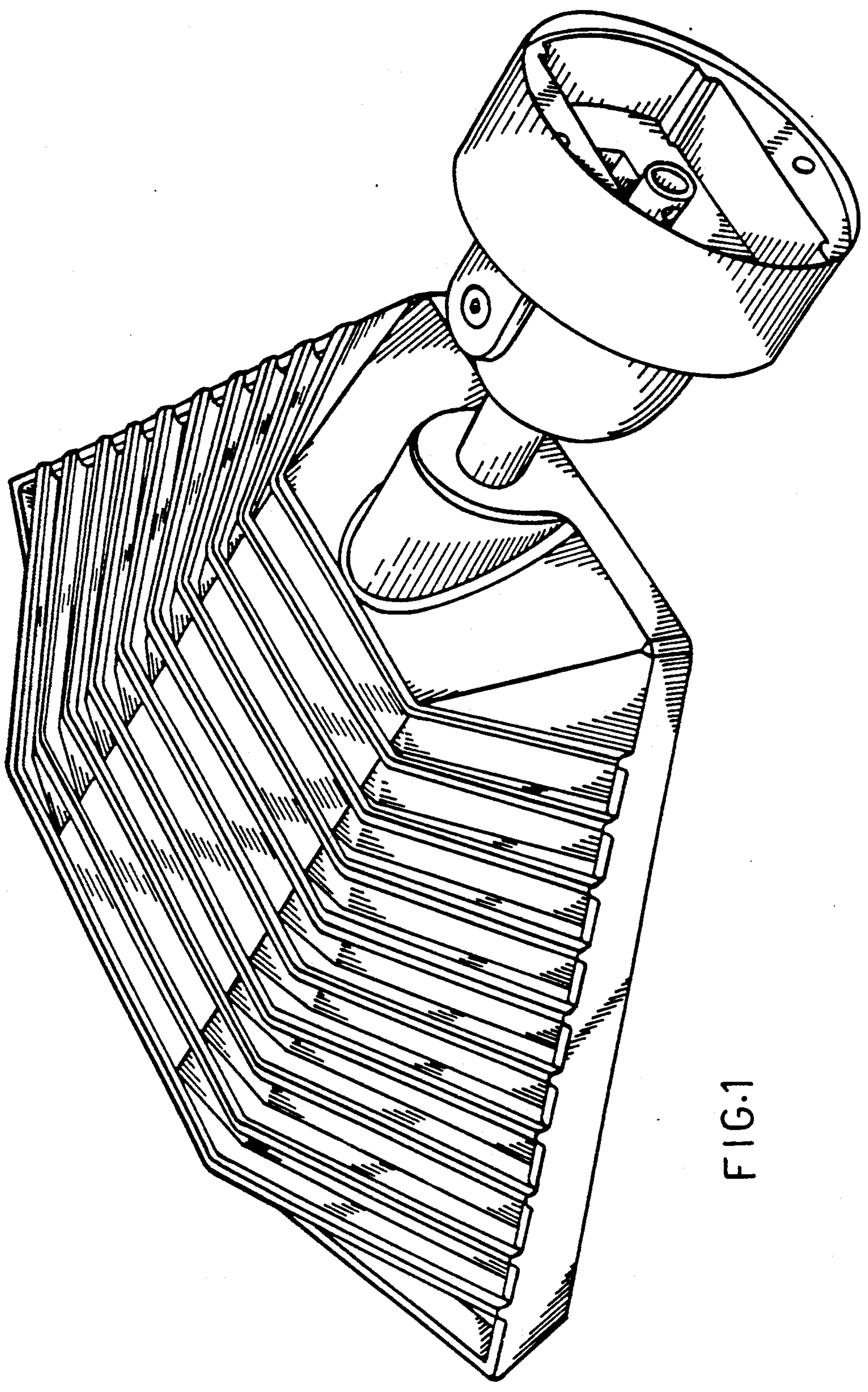


FIG.1

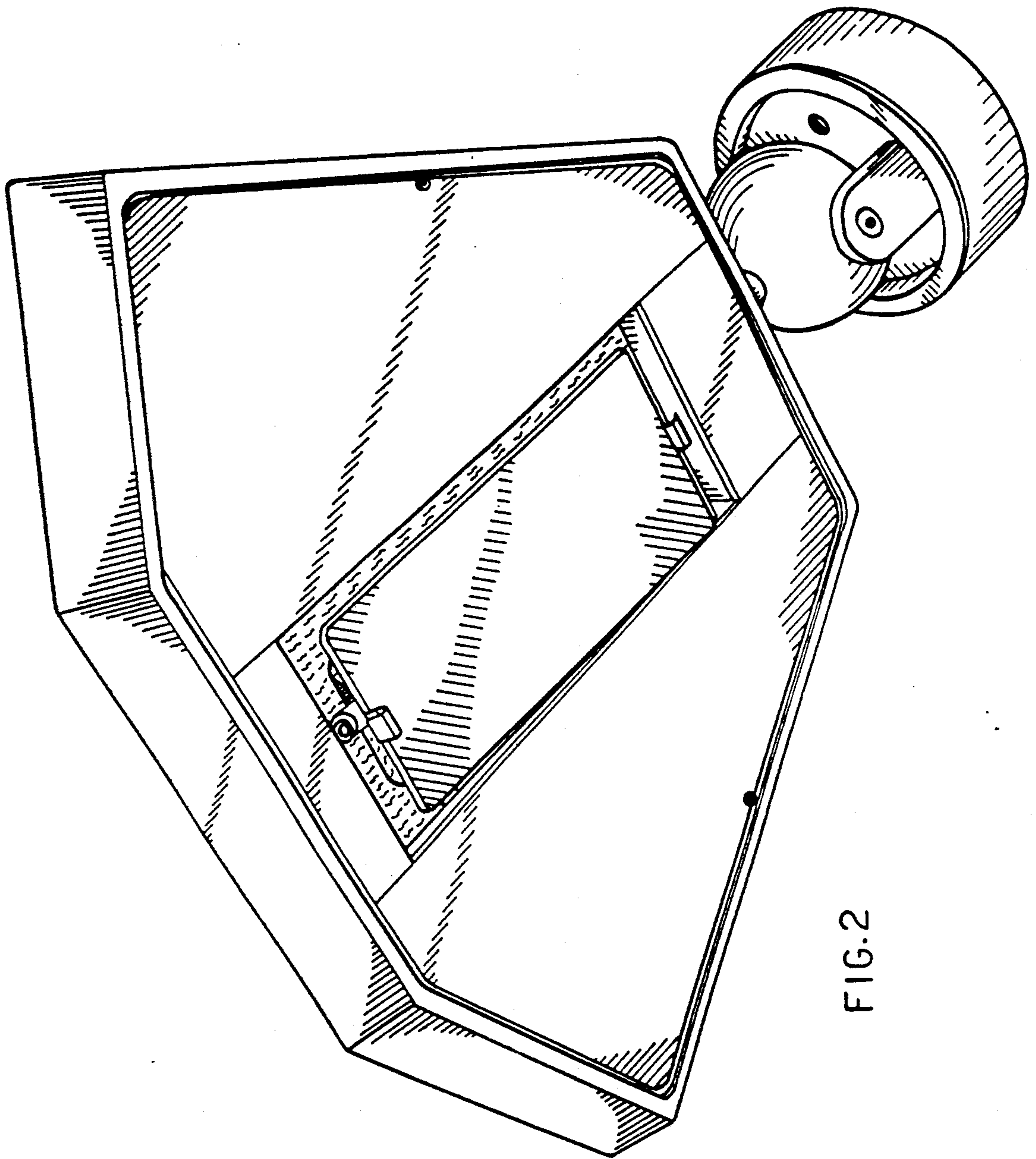


FIG. 2

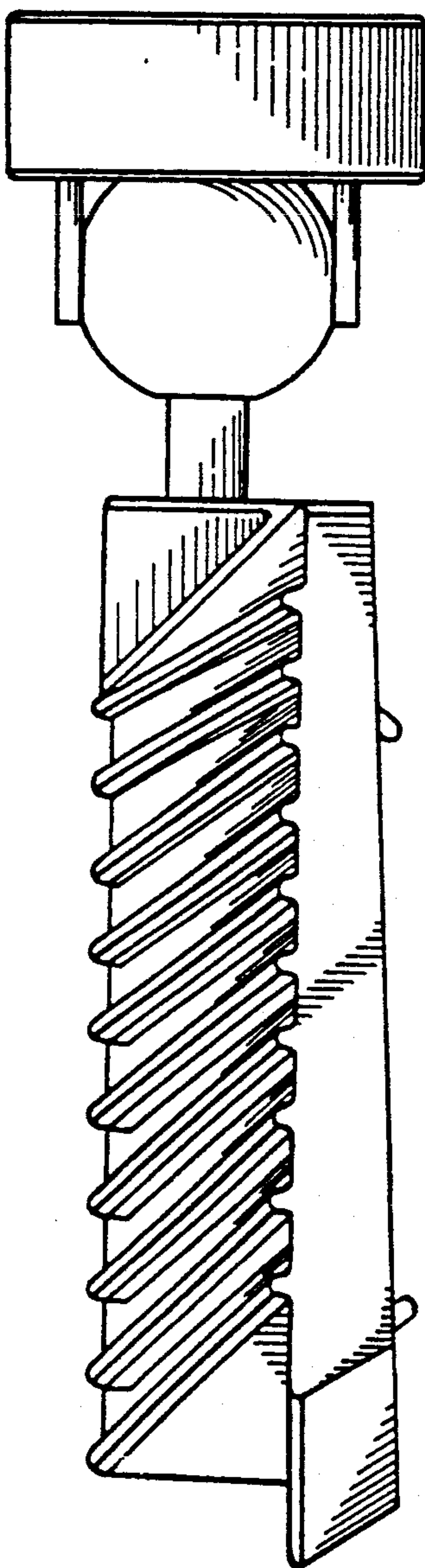


FIG. 3

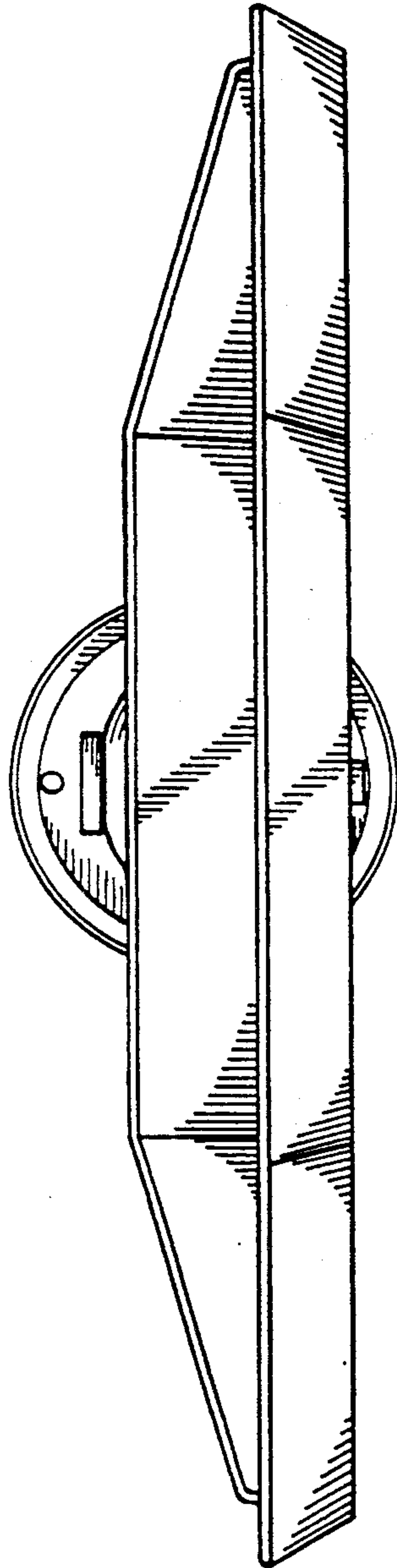


FIG. 4

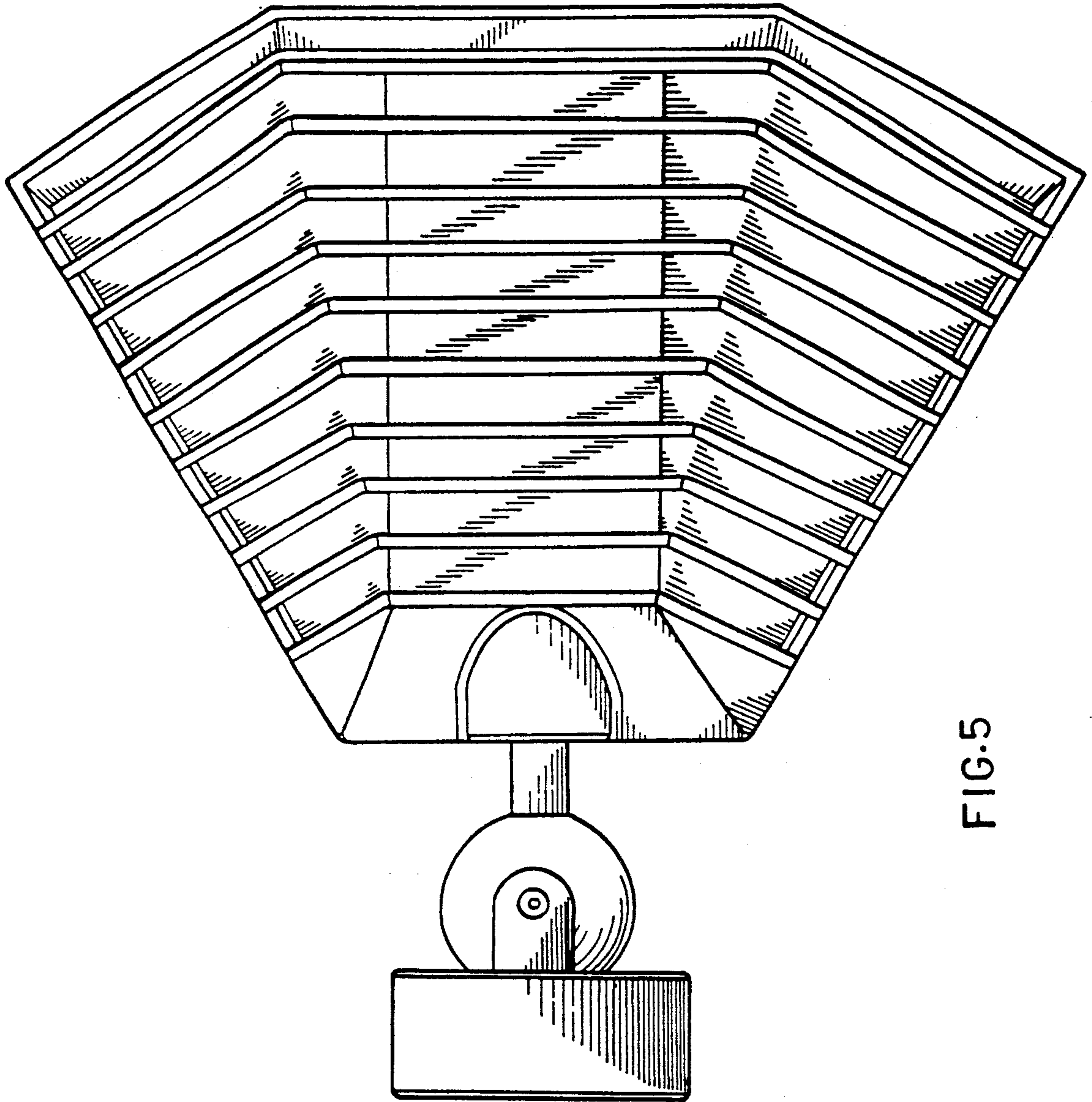


FIG. 5

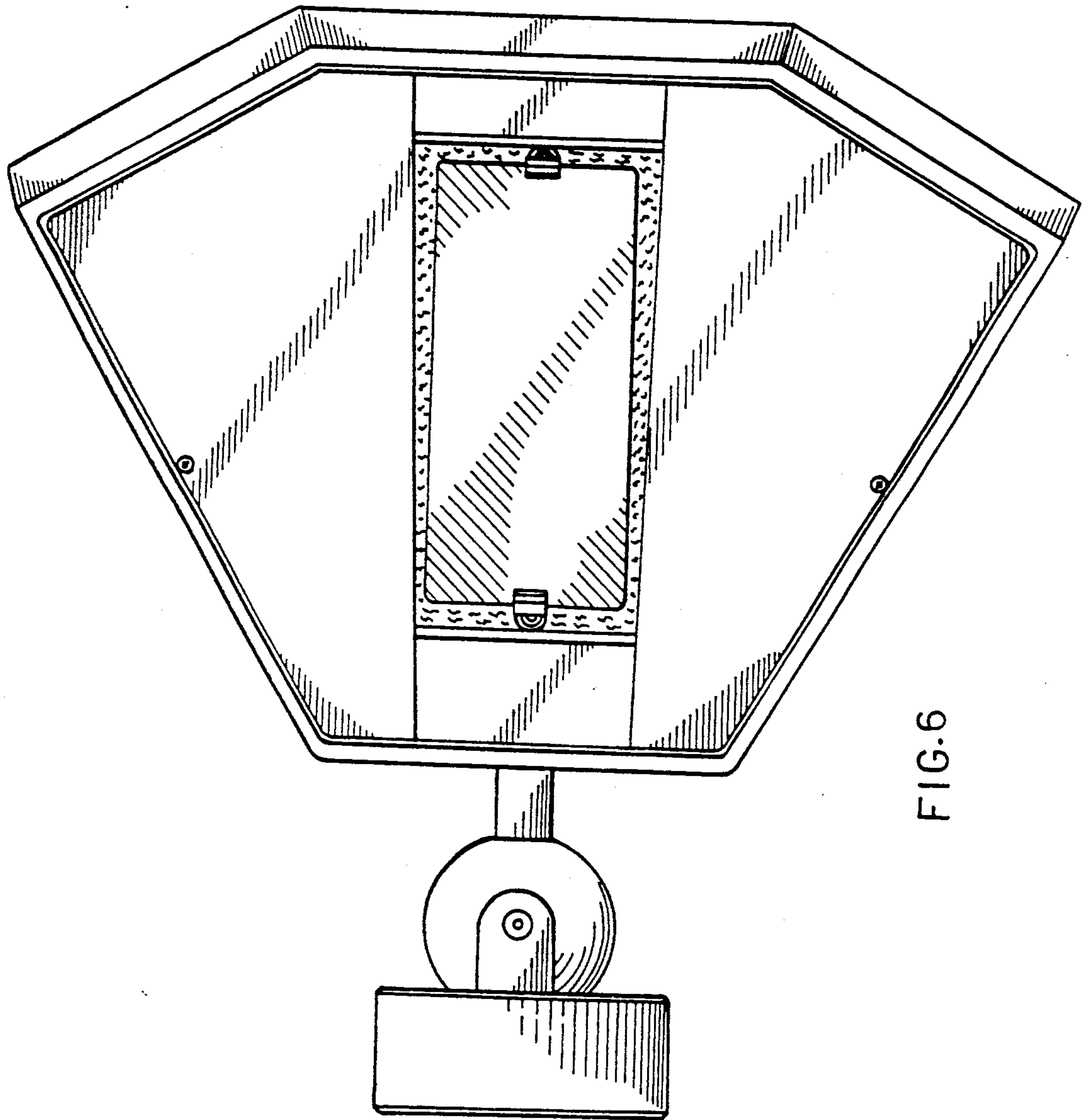


FIG. 6

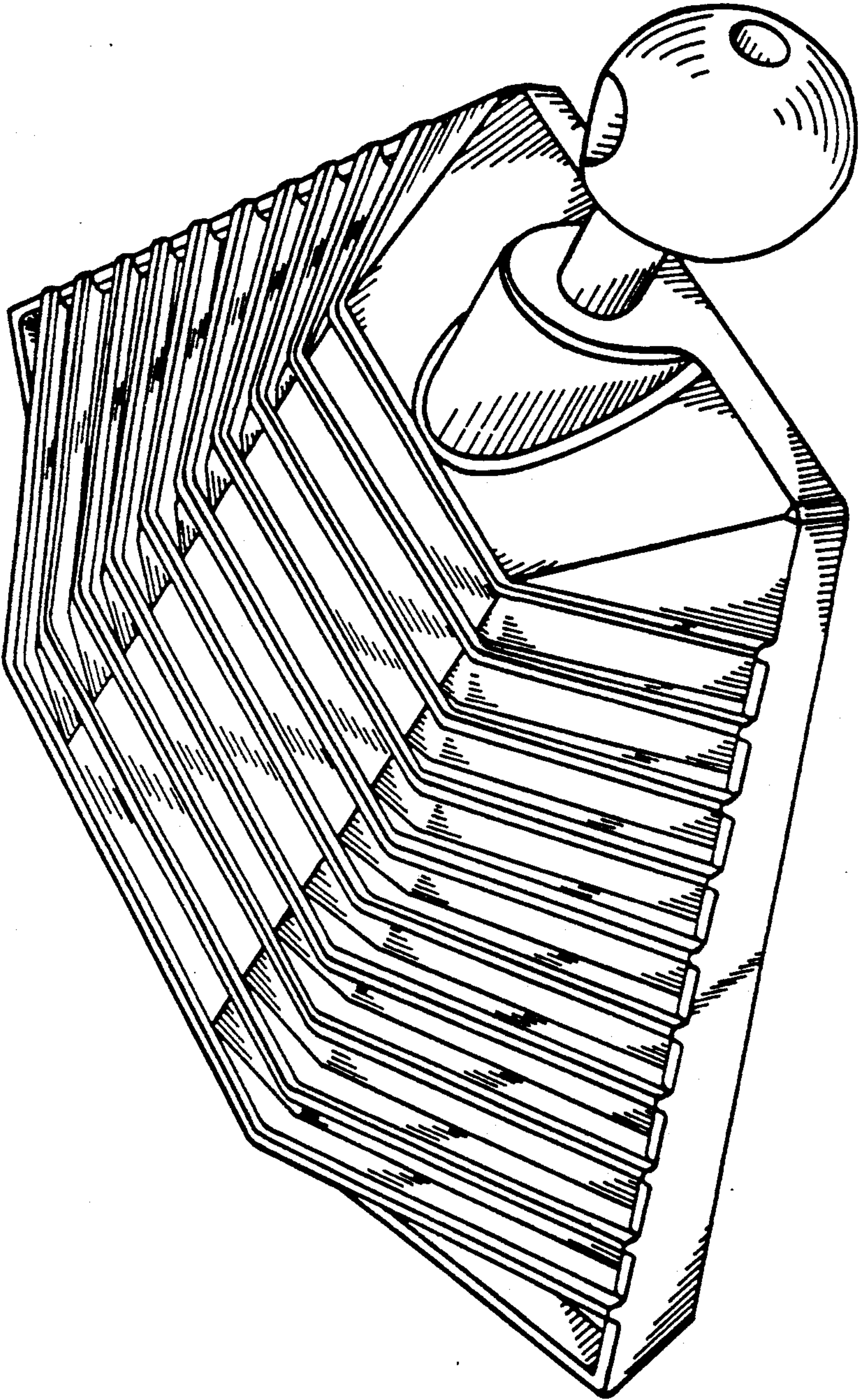


FIG. 7

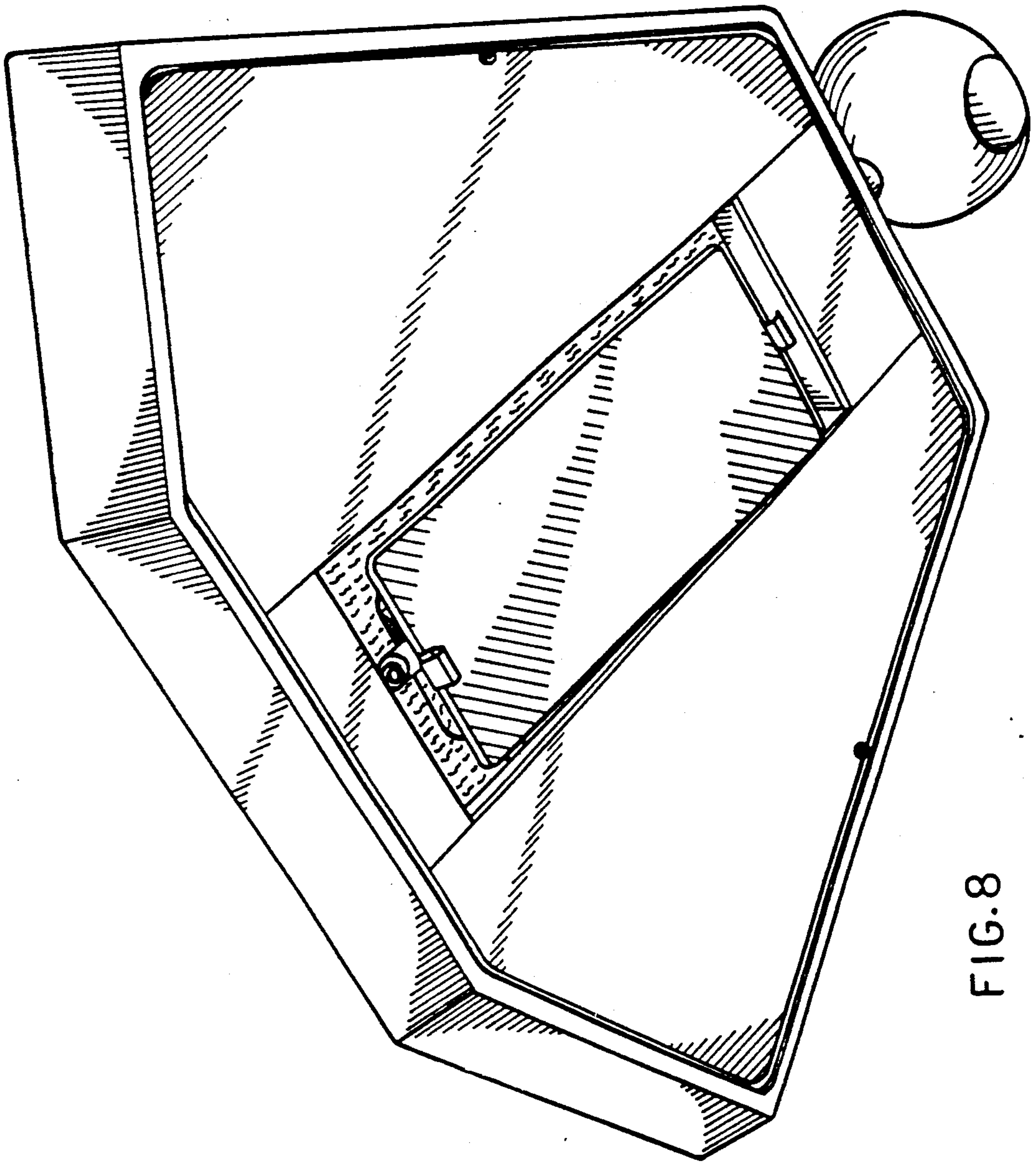


FIG. 8

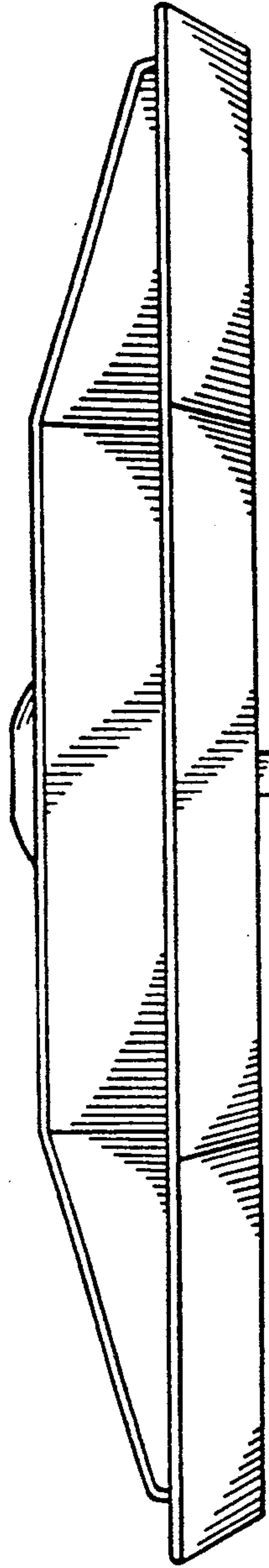


FIG. 9

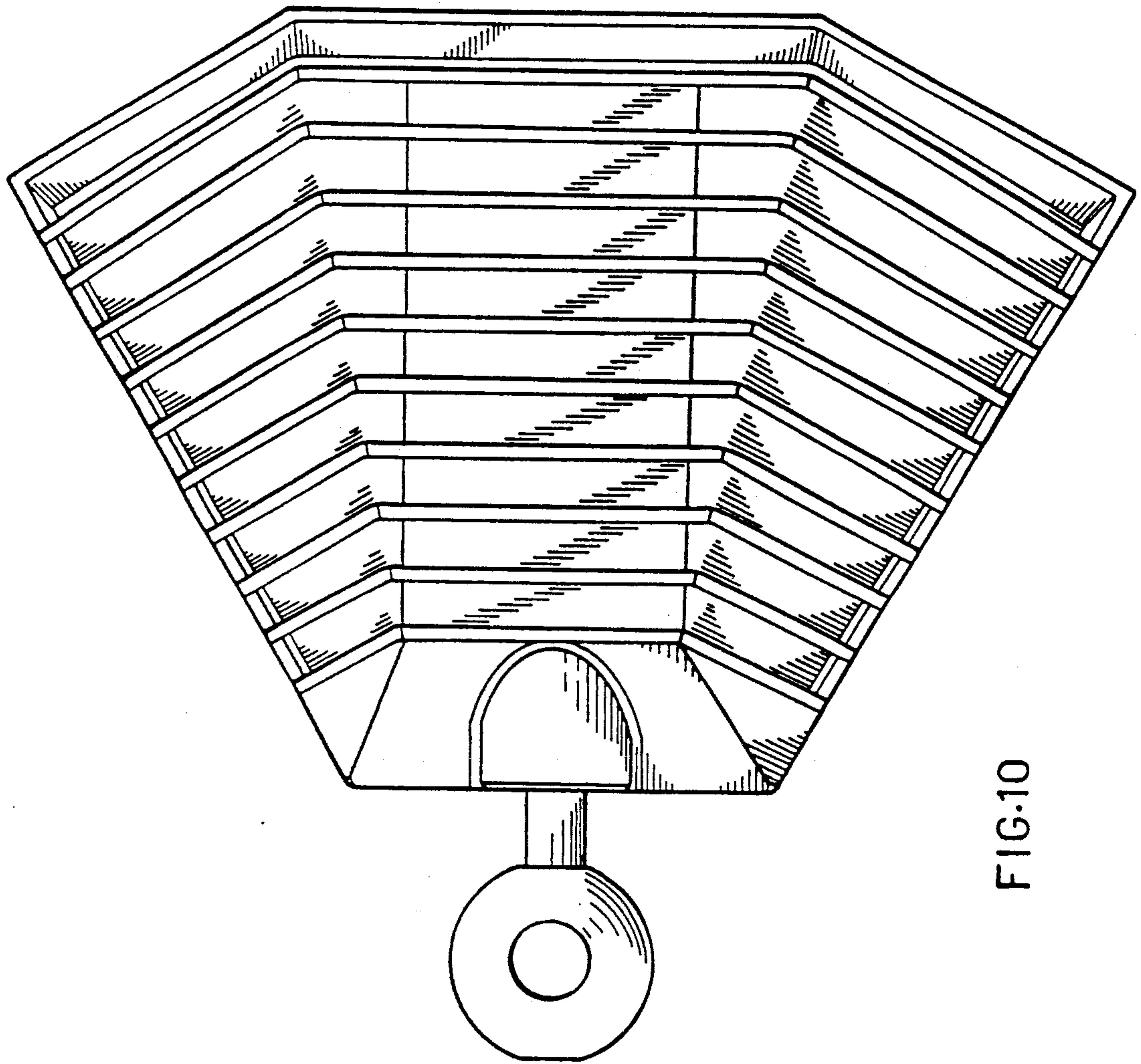


FIG. 10

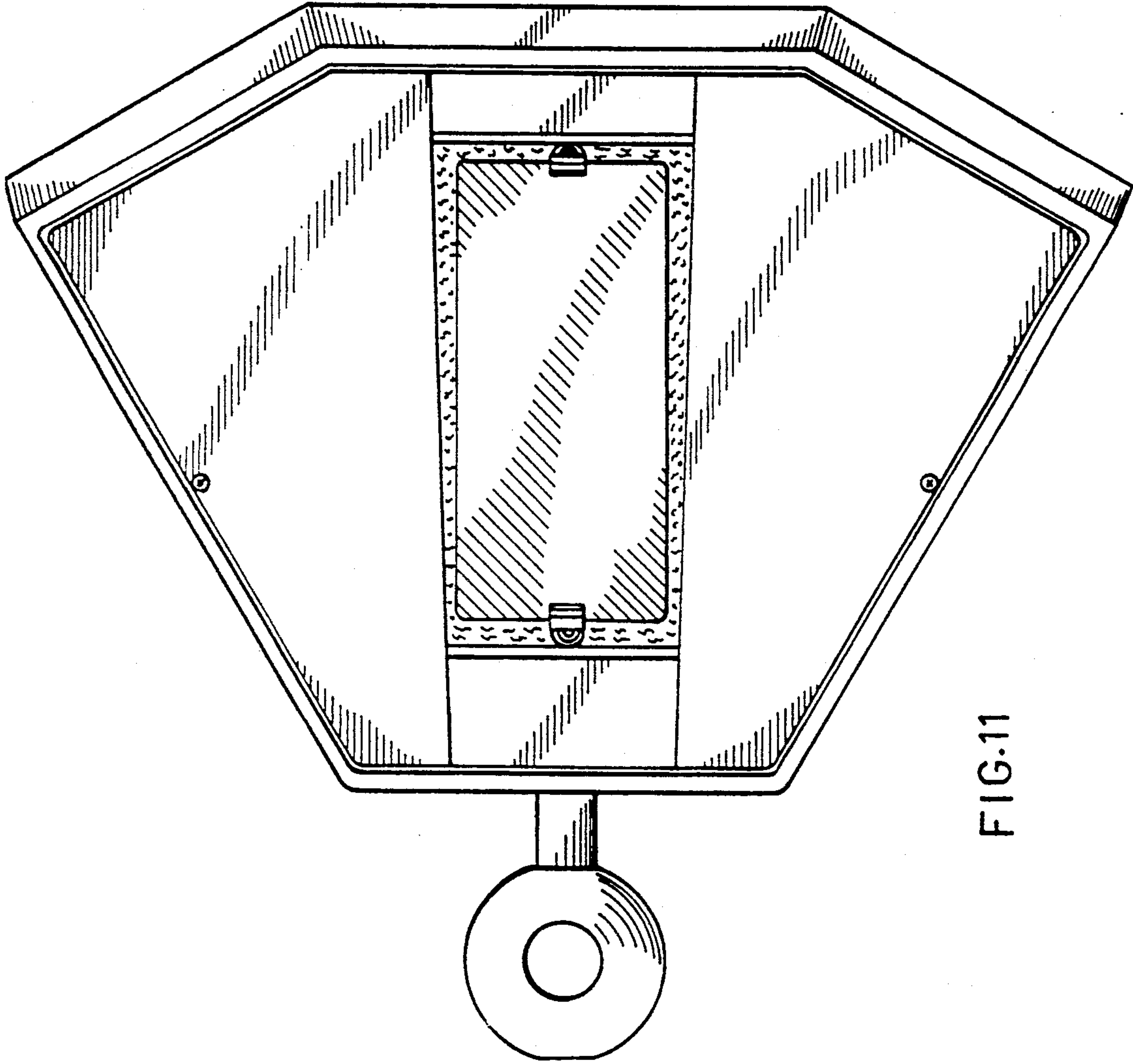


FIG.11

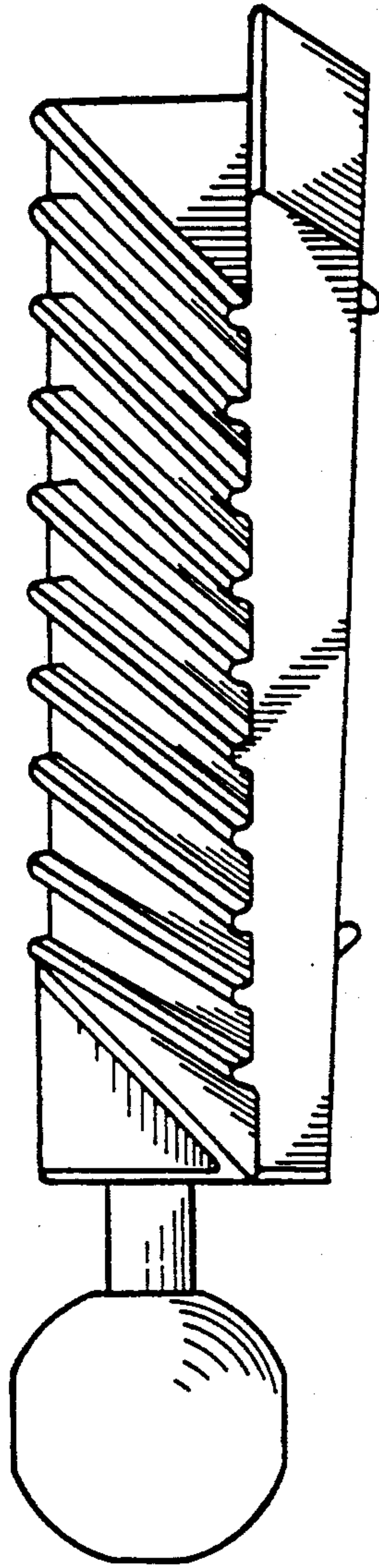


FIG.12