

[54] FISHING ROD LIGHT

[76] Inventor: Glenn N. Short, Rte. 4, Box 422,
Rogersville, Mo. 65742

[**] Term: 14 Years

[21] Appl. No.: 325,890

[22] Filed: Mar. 17, 1989

[52] U.S. Cl. D26/37; D22/139;
D26/60; 43/17

[58] Field of Search D22/139, 142, 148;
D26/37, 50, 60; 43/17, 17.5, 16, 25; 362/157,
158, 183, 194, 120, 396

[56] References Cited

U.S. PATENT DOCUMENTS

2,885,538	5/1959	Mahon et al.	362/396	X
4,178,712	12/1979	Williams	362/194	X
4,417,299	11/1983	Rupp	362/120	X
4,479,321	10/1984	Welstead	43/17.5	X
4,505,063	3/1985	Price et al.	43/17.5	X

4,528,554 7/1985 Klefbeck 43/17 X

Primary Examiner—A. Hugo Word
Assistant Examiner—Doris V. Coles
Attorney, Agent, or Firm—Glen M. Burdick; Bill D.
McCarthy

[57] CLAIM

The ornamental design for a fishing rod light, as shown
and described.

DESCRIPTION

FIG. 1 is a perspective view of a fishing rod light, showing my new designs; the broken line showing of environment is for illustration purposes only and form no part of claimed design;

FIG. 2 is a left side elevational view thereof;

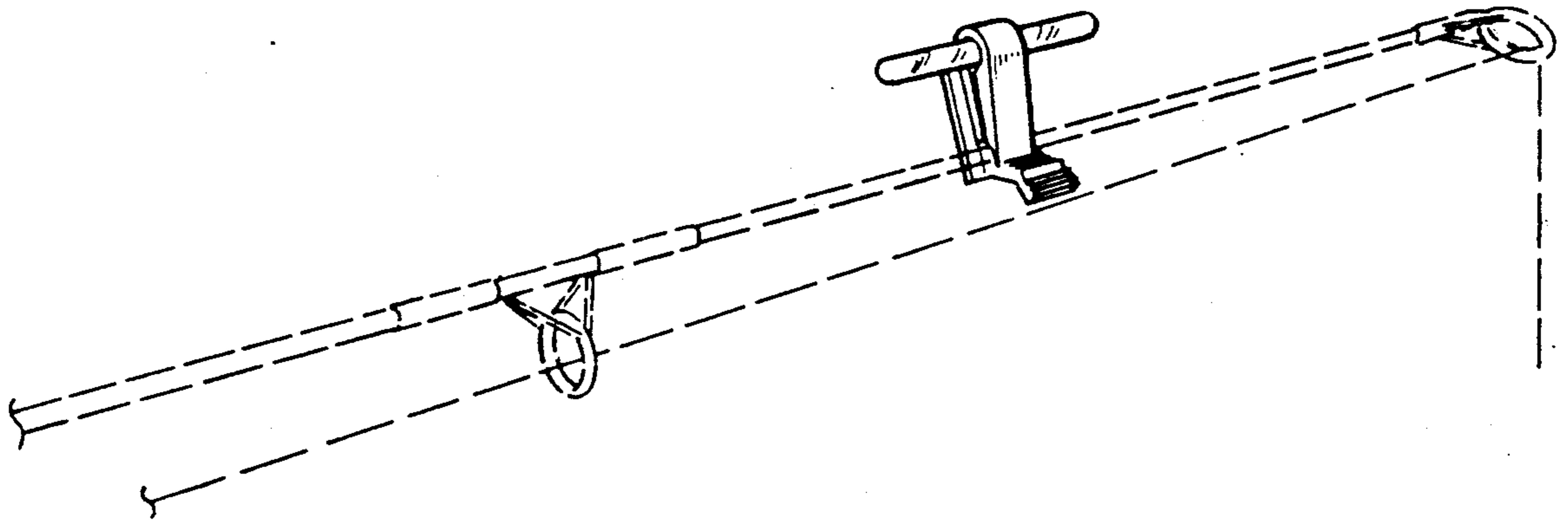
FIG. 3 is a right side elevational view thereof;

FIG. 4 is a rear elevational view thereof;

FIG. 5 is a front elevational view thereof;

FIG. 6 is a bottom plan view thereof; and

FIG. 7 is a top plan view thereof.



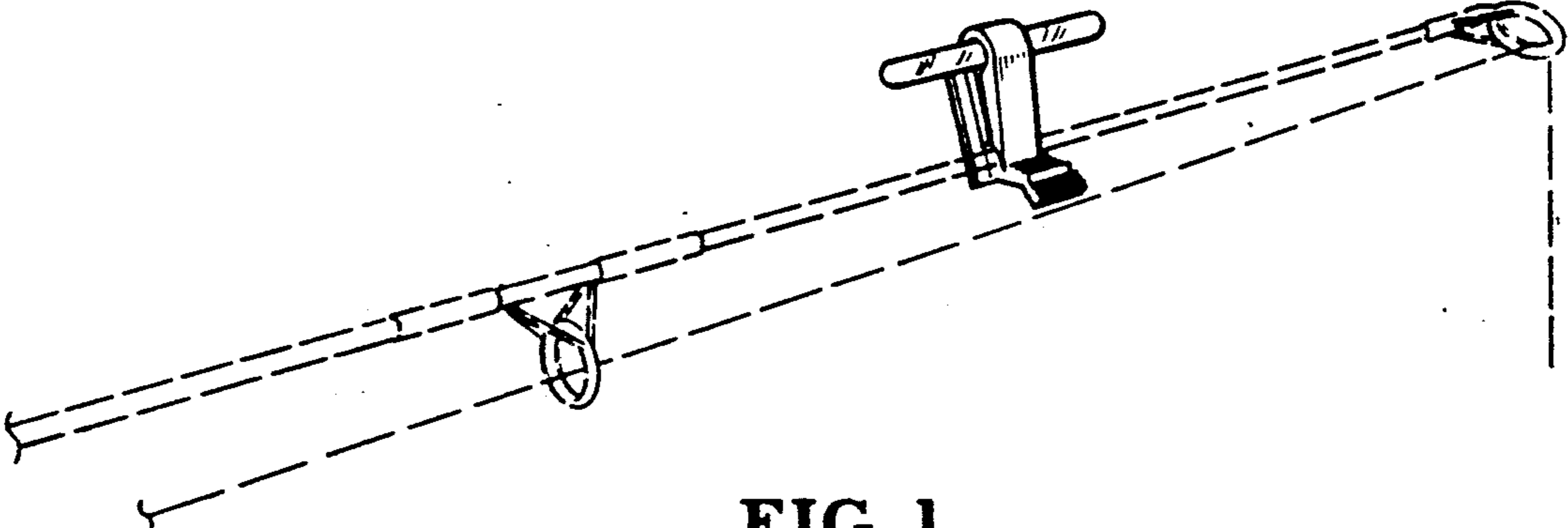


FIG. 1

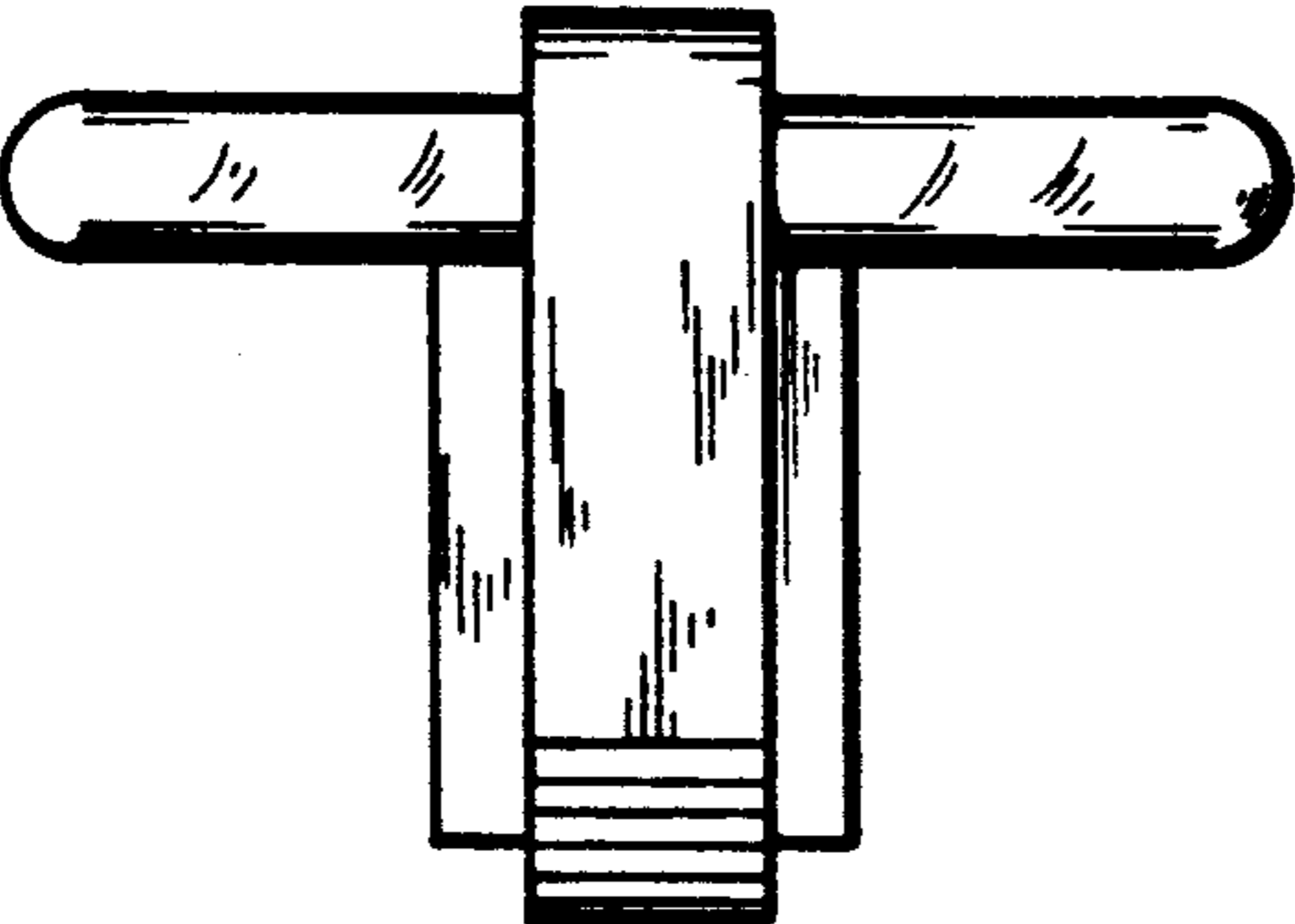


FIG. 2

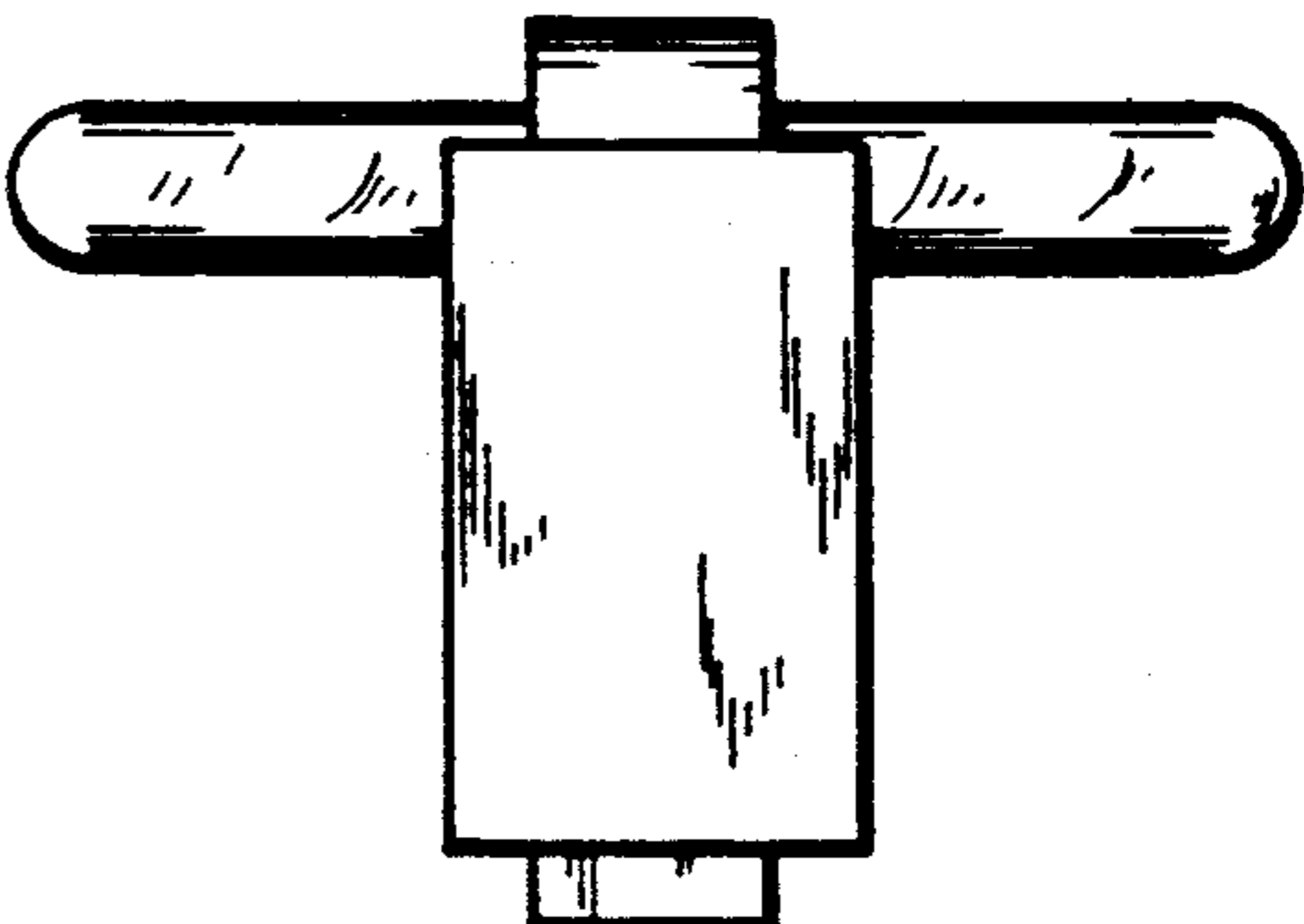


FIG. 3

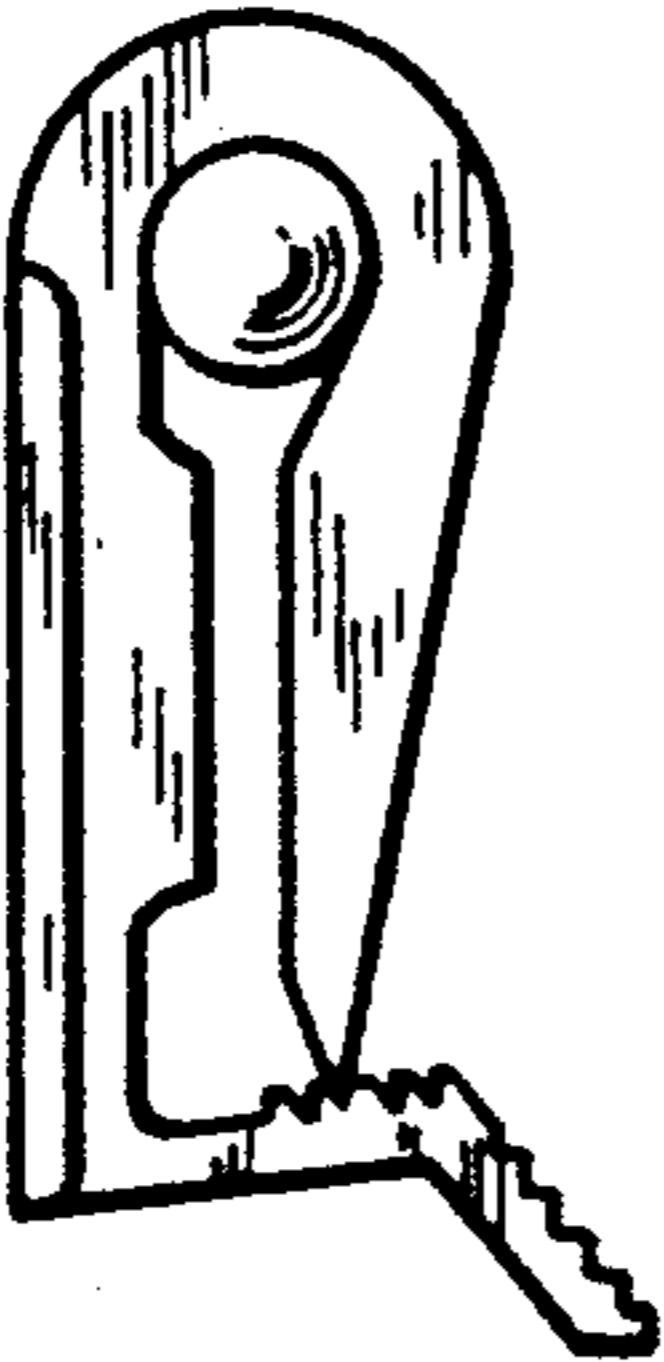


FIG. 4

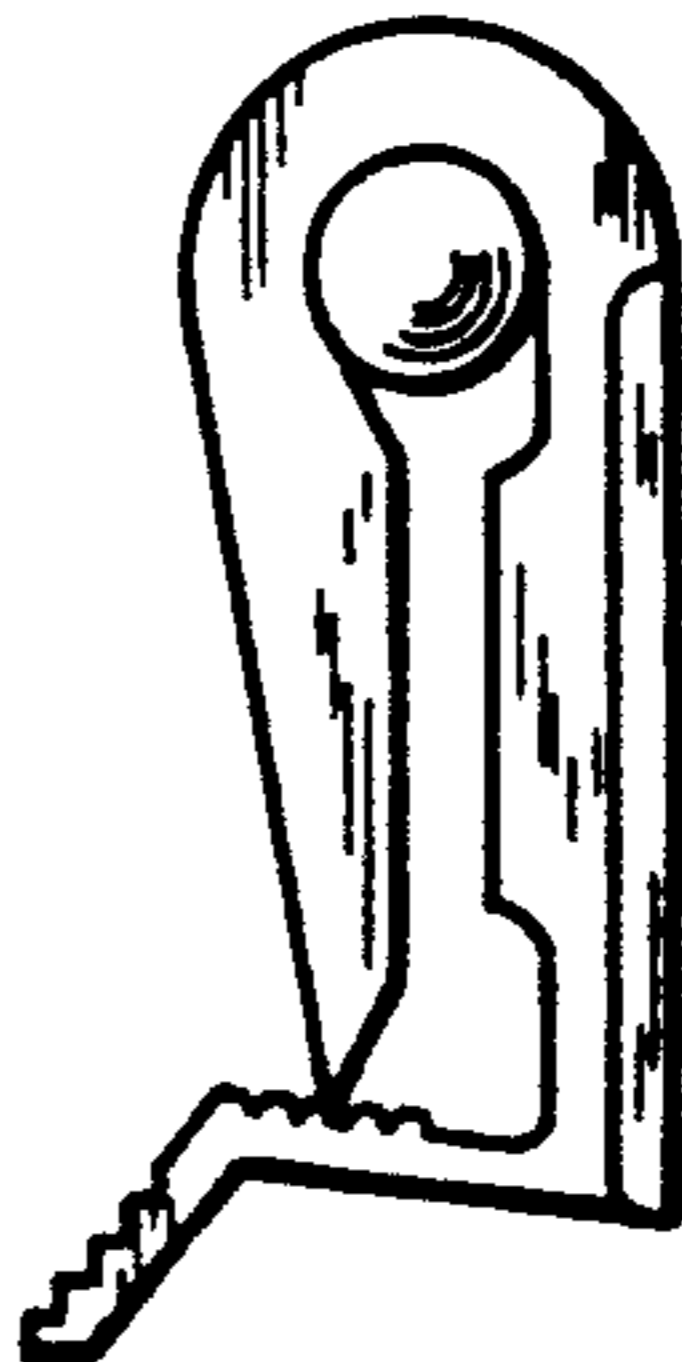


FIG. 5

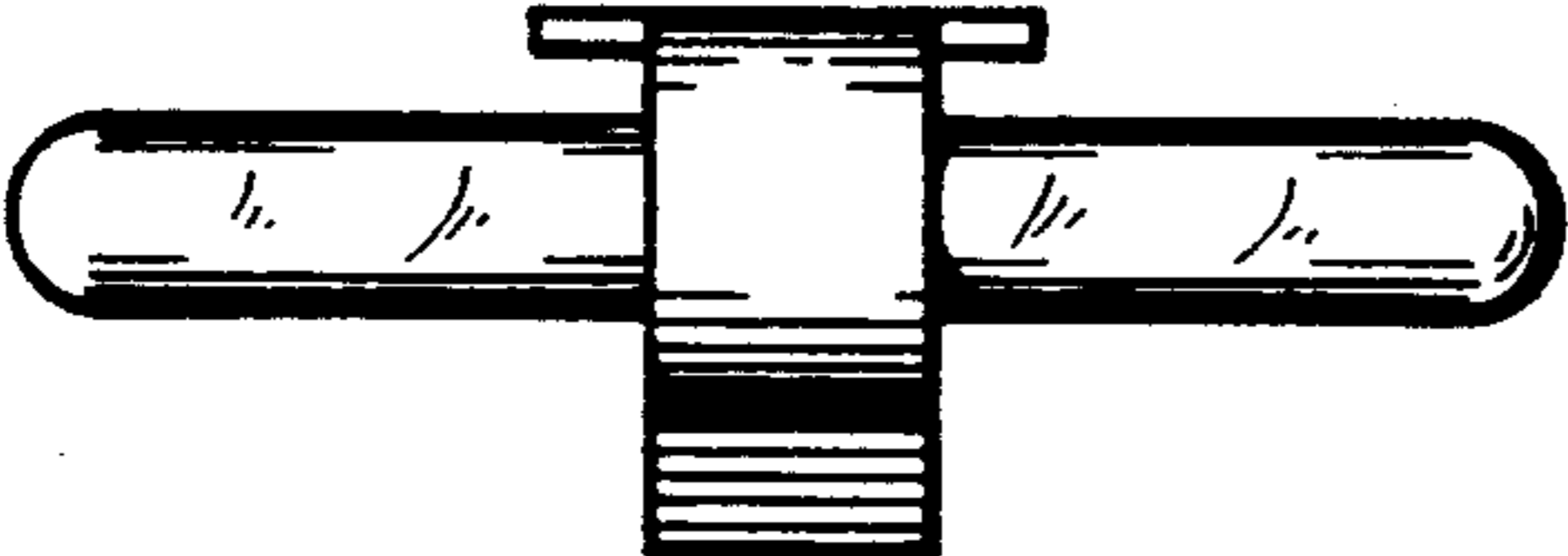


FIG. 6

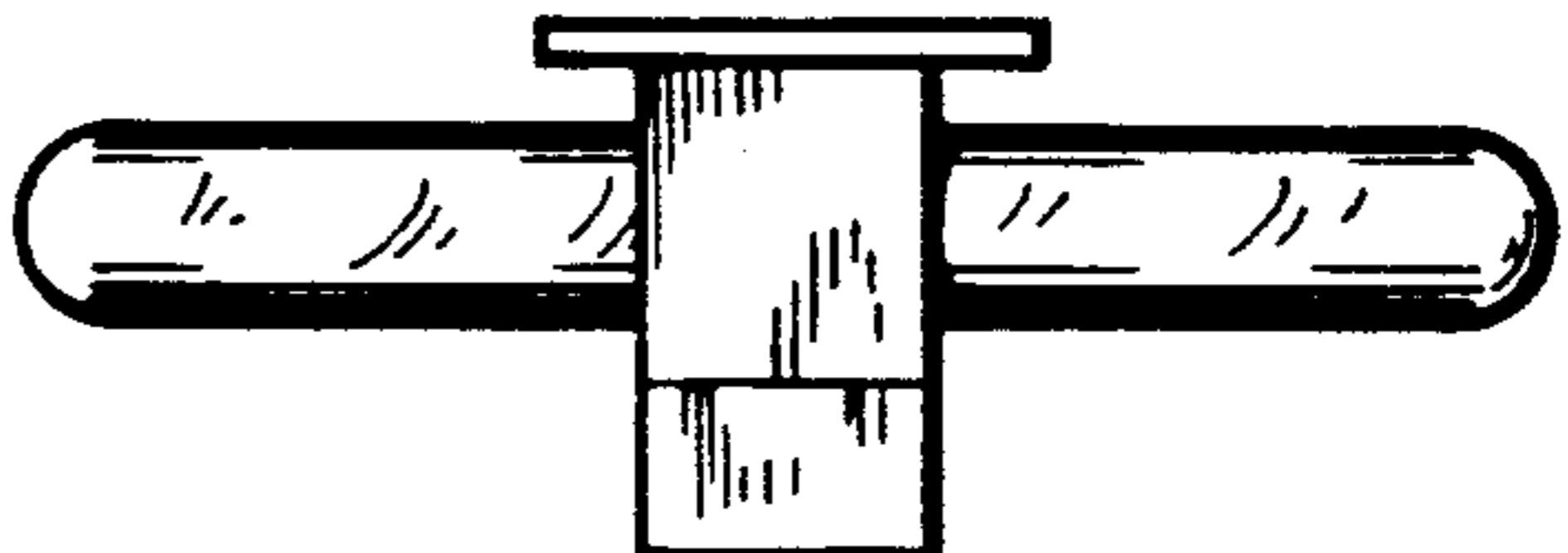


FIG. 7