

[54] REFLECTOR SPOT LAMP

[75] Inventors: Mohammad Mujahid, Little Rock; Joe O. Sullivan, Maumelle, both of Ark.

[73] Assignee: North American Philips Corporation, New York, N.Y.

[\*\*] Term: 14 Years

[21] Appl. No.: 312,779

[22] Filed: Feb. 17, 1989

[52] U.S. Cl. .... D26/2

[58] Field of Search ..... D26/118, 120, 121, 122, D26/123, 124, 2, 3, 26; 362/326-340; 313/315, 318

[56] References Cited

U.S. PATENT DOCUMENTS

D. 57,912	5/1921	Johanson .....	D26/134
D. 93,673	10/1934	Reittinger .....	D26/133
D. 284,792	7/1986	Thiry et al. .	
1,213,154	1/1917	Cohen .	
1,751,070	3/1930	Boots et al. ....	362/327 X
1,918,087	7/1933	Donley .	
3,136,913	6/1964	Goodman .	
3,309,554	3/1967	De Lorenzo .	
4,143,412	3/1979	Sassmannshausen .....	362/297
4,164,012	8/1979	Gulliksen .	

4,207,607	6/1980	Gulliksen .	
4,417,300	11/1983	Bodmer .....	362/297 X
4,420,800	12/1983	Van Horn .....	362/297
4,473,872	9/1984	Puckett .	
4,484,254	11/1984	Puckett .	
4,494,176	1/1985	Sands .	
4,506,316	3/1985	Thiry et al. .	
4,651,261	3/1987	Szekacs .	
4,686,412	8/1987	Johnson, Jr. .	

OTHER PUBLICATIONS

Norelco, Flyer for PAR Lamps, North American Philips Lighting.

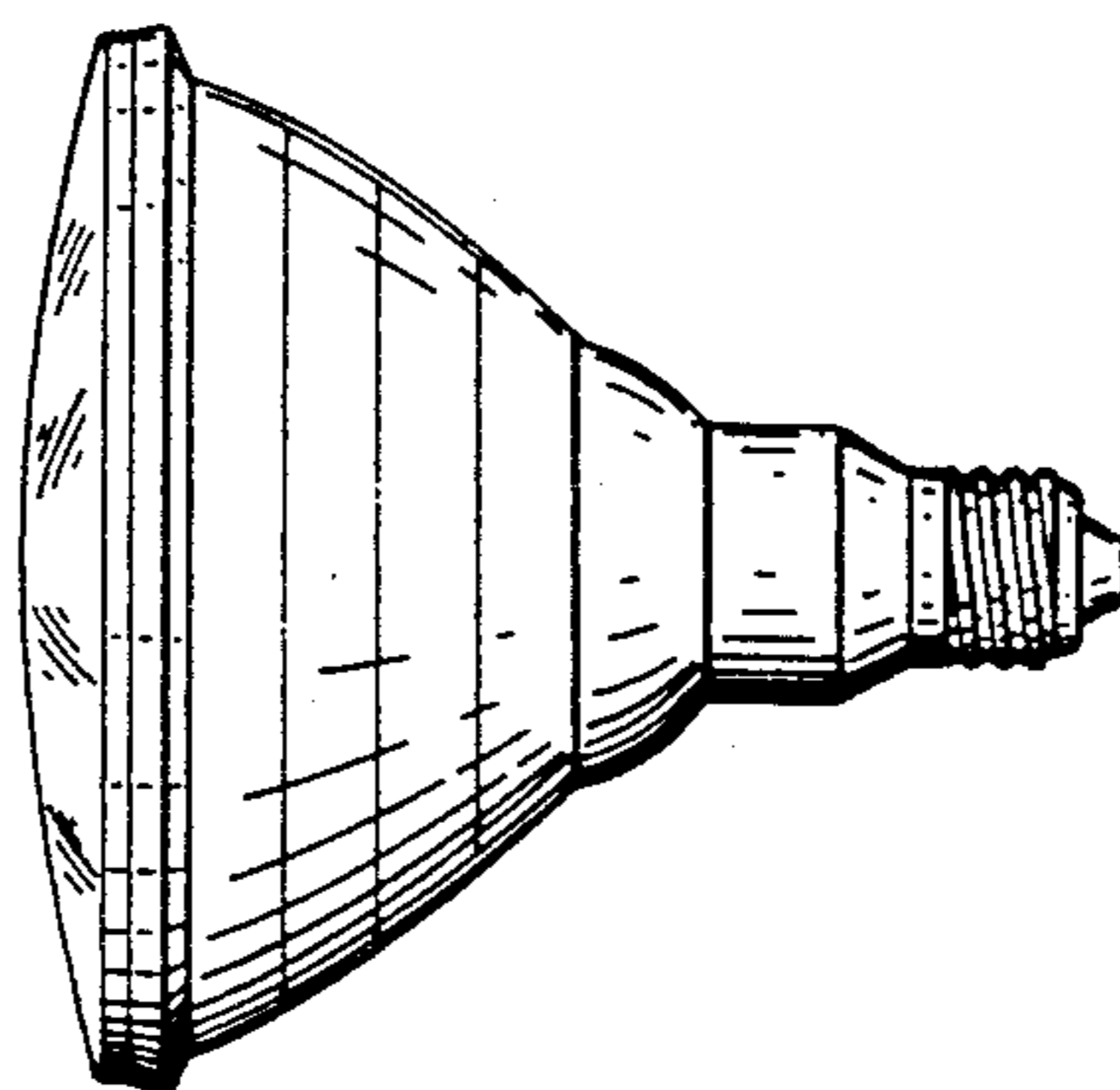
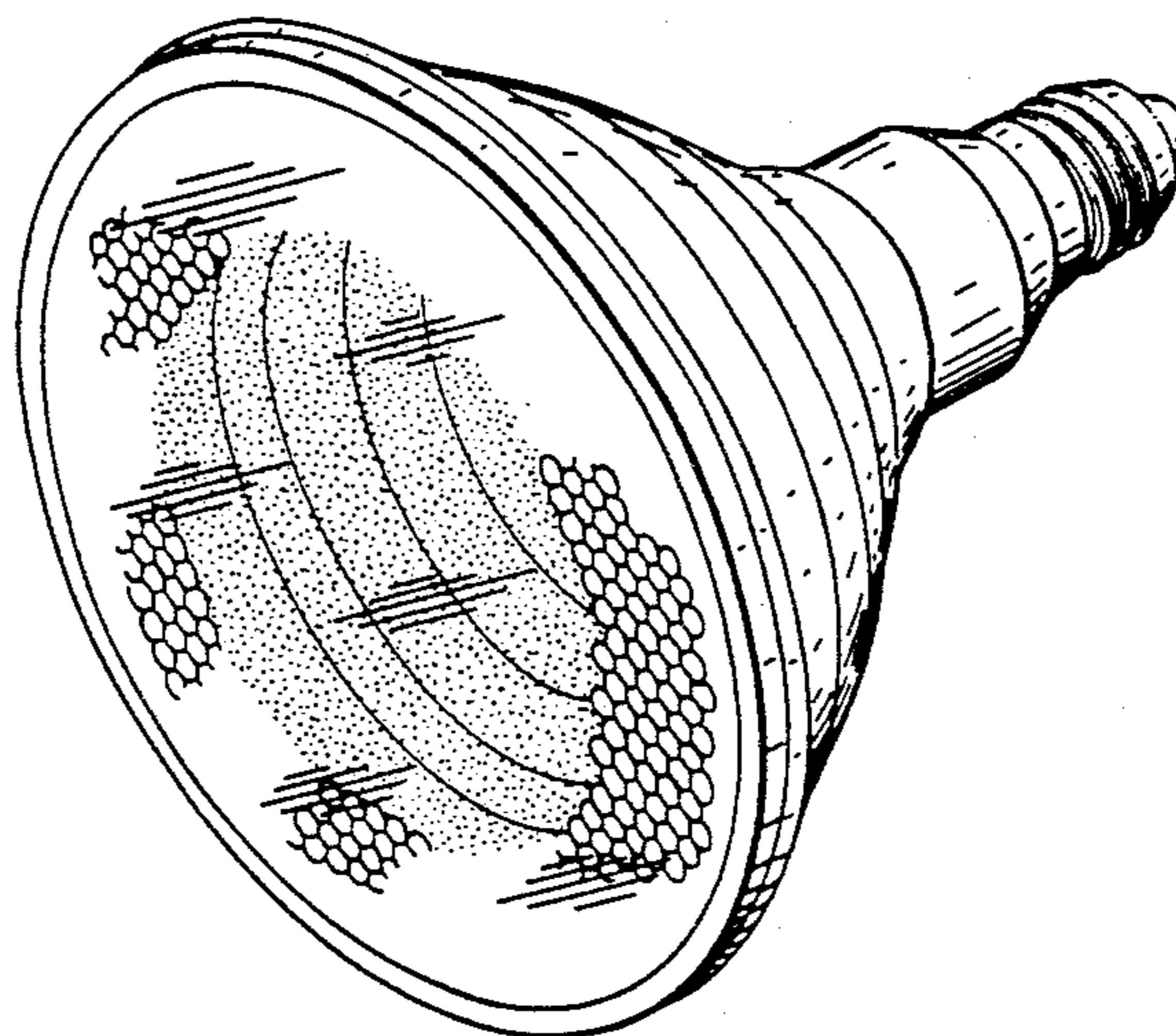
Primary Examiner—Susan J. Lucas  
Attorney, Agent, or Firm—Jack E. Haken

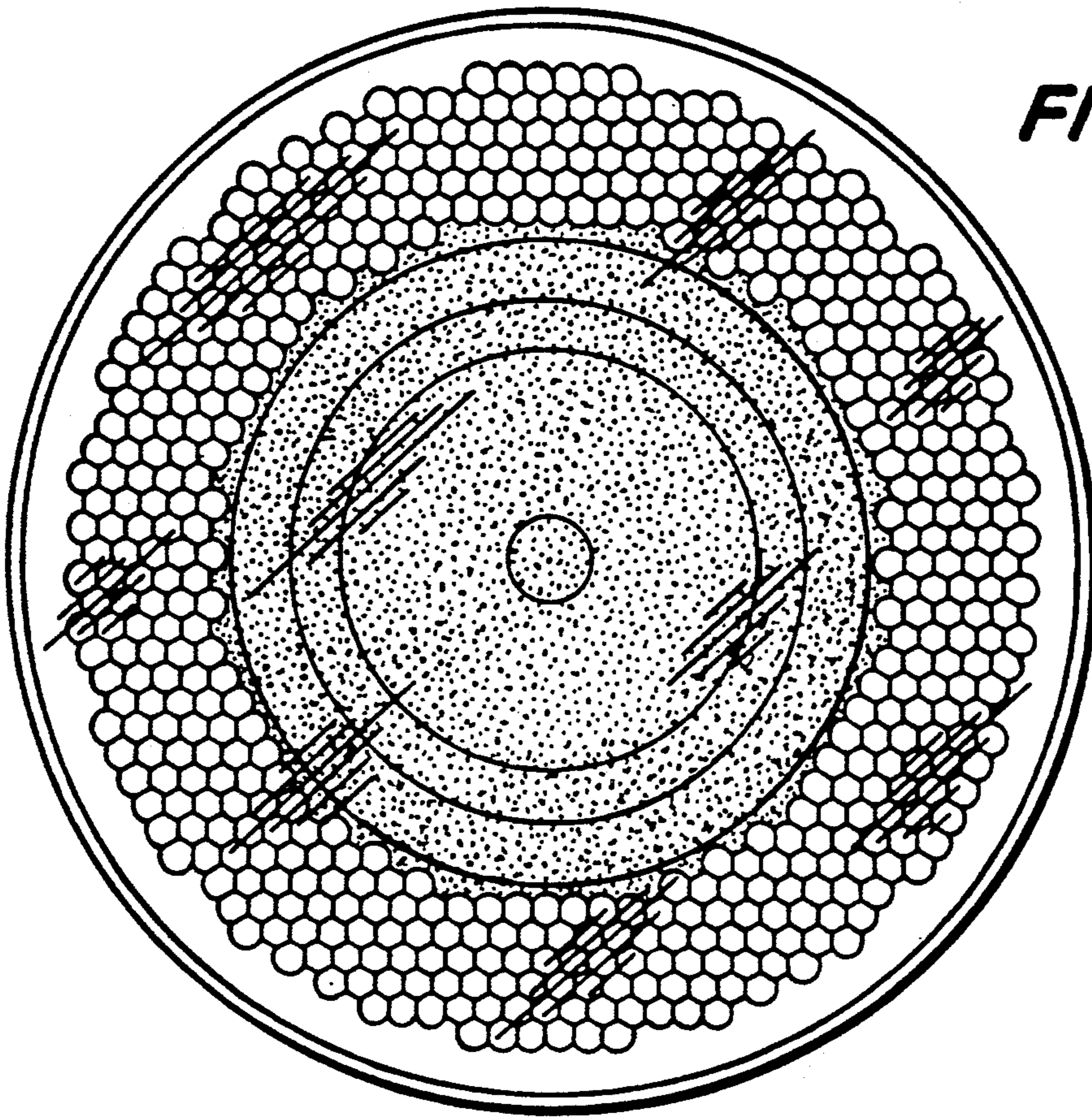
[57] CLAIM

The ornamental design for reflector spot lamp, as shown and described.

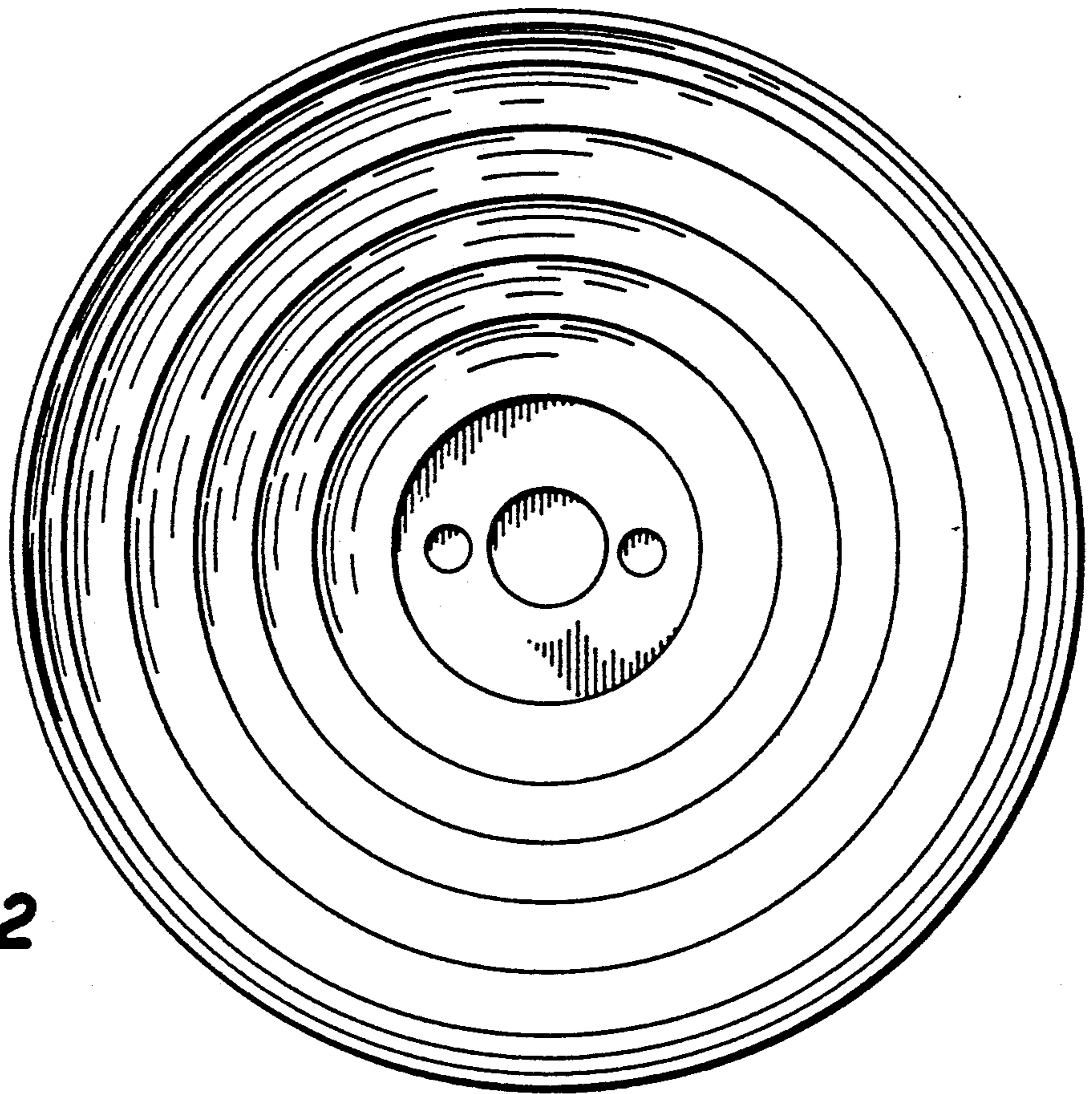
DESCRIPTION

FIG. 1 is a front elevational view of the reflector spot lamp showing our new design; FIG. 2 is a front elevational view of the interior surface of the reflector, the lens being omitted for purposes of disclosure; FIG. 3 is a front perspective view thereof; and FIG. 4 is a side elevational view thereof on a reduced scale.

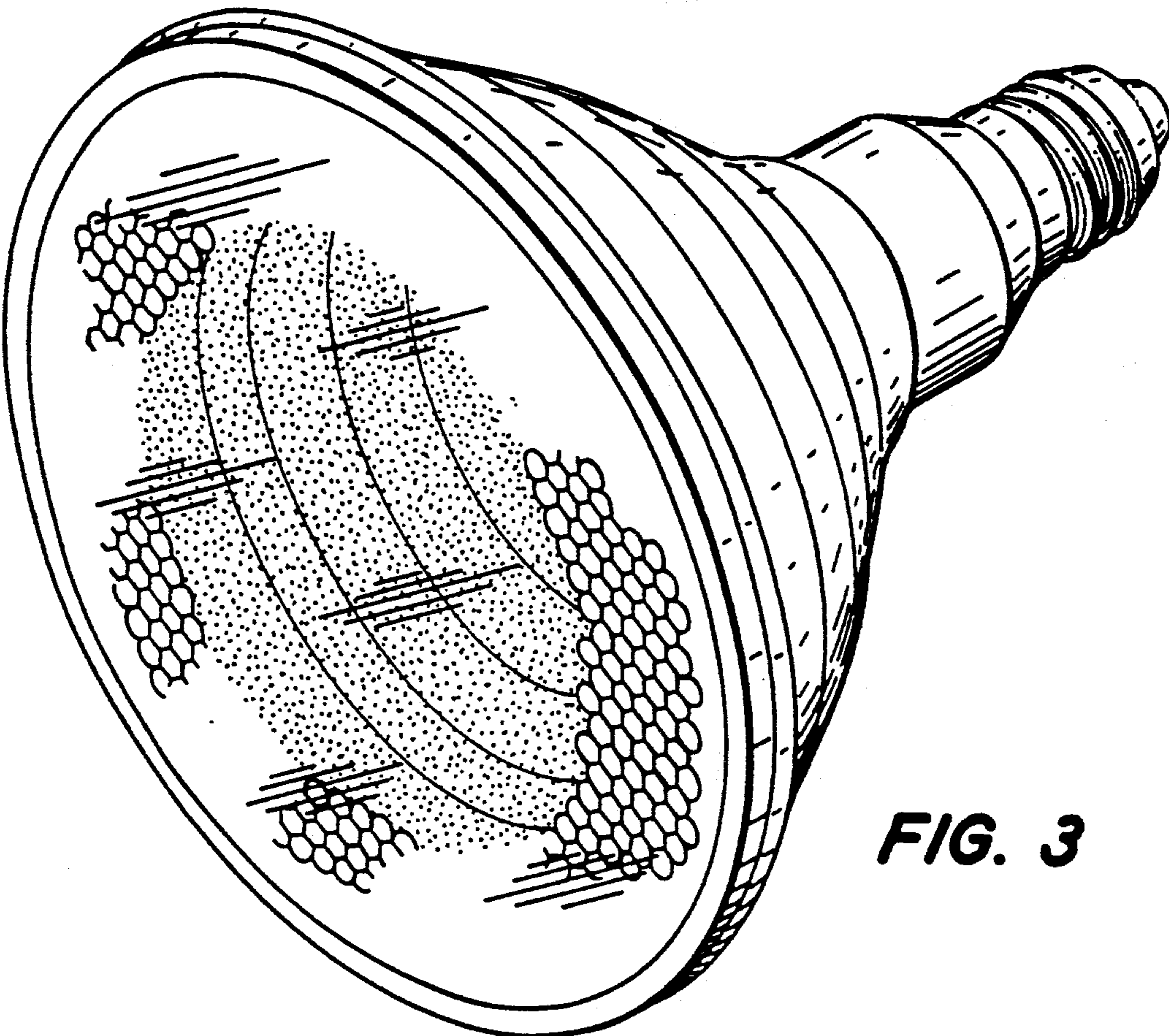




**FIG. 1**



**FIG. 2**



**FIG. 3**

**FIG. 4**

