

[54] SYRINGE

[75] Inventors: John F. Buswell, Redhill; Victor C. Cracknell, Windlesham; Noshir J. Khambatta, Sussex, all of England

[73] Assignee: Beecham Group p.l.c., Brentford, England

[**] Term: 14 Years

[21] Appl. No.: 280,192

[22] Filed: Dec. 2, 1988

[30] Foreign Application Priority Data

Jun. 4, 1988 [GB] United Kingdom 1051272

[52] U.S. Cl. D24/130

[58] Field of Search D24/14, 24, 25, 60, D24/187; 604/192, 193, 194, 195, 196, 197, 198, 199, 263, 264

[56] References Cited

U.S. PATENT DOCUMENTS

2,551,339	5/1951	Ryan et al.	604/193
3,112,747	12/1963	Cowley	604/197
4,365,626	12/1982	House	604/192
4,636,201	1/1987	Ambrose et al.	604/192
4,784,641	11/1988	White	D24/60
4,919,146	4/1990	Rhinehart et al.	604/187
4,944,723	7/1990	Haber et al.	604/195

4,978,340 12/1990 Jerrill et al. 604/195

Primary Examiner—Wallace R. Burke
Assistant Examiner—Marcus Jackson
Attorney, Agent, or Firm—Hopgood, Calimafde, Kalil, Blaustein & Judlowe

[57] CLAIM

The ornamental design for a syringe, as shown and described.

DESCRIPTION

FIG. 1 is an exploded front perspective view of a syringe showing my new design, with the cap removed for clarity of illustration;

FIG. 2 is a rear perspective view thereof;

FIG. 3 is a front elevational view thereof shown with the cap removed and with the rear being a mirror image;

FIG. 4 is a side elevational view thereof shown in assembled condition and with the opposite side being a mirror image;

FIG. 5 is a bottom plan view of FIG. 3;

FIG. 6 is a top plan view thereof;

FIG. 7 is a front elevational view of the cap element, with the opposite sides being identical thereof, and shown separately for clarity of illustration only;

FIG. 8 is a bottom plan view of FIG. 7; and

FIG. 9 is a top plan view of FIG. 7.

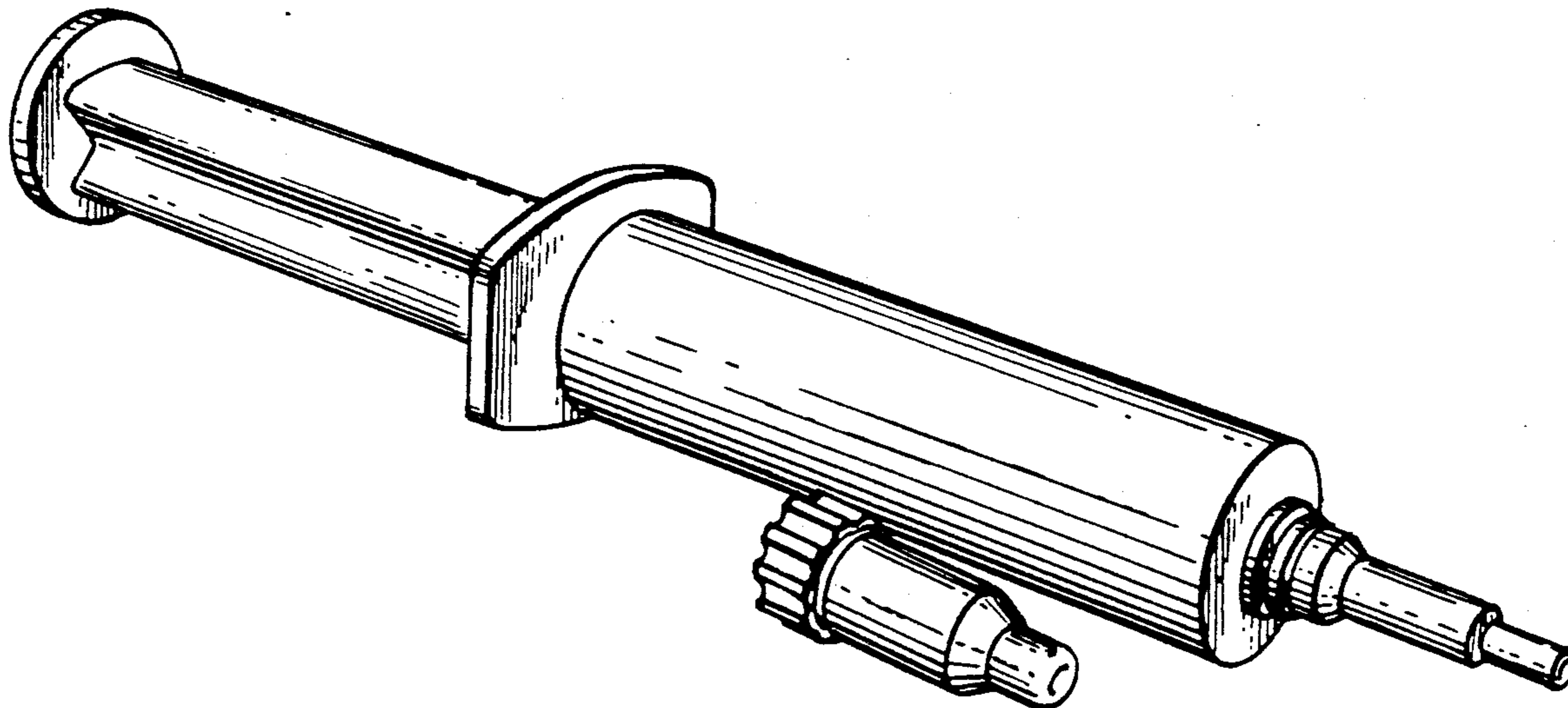


FIG. 1.

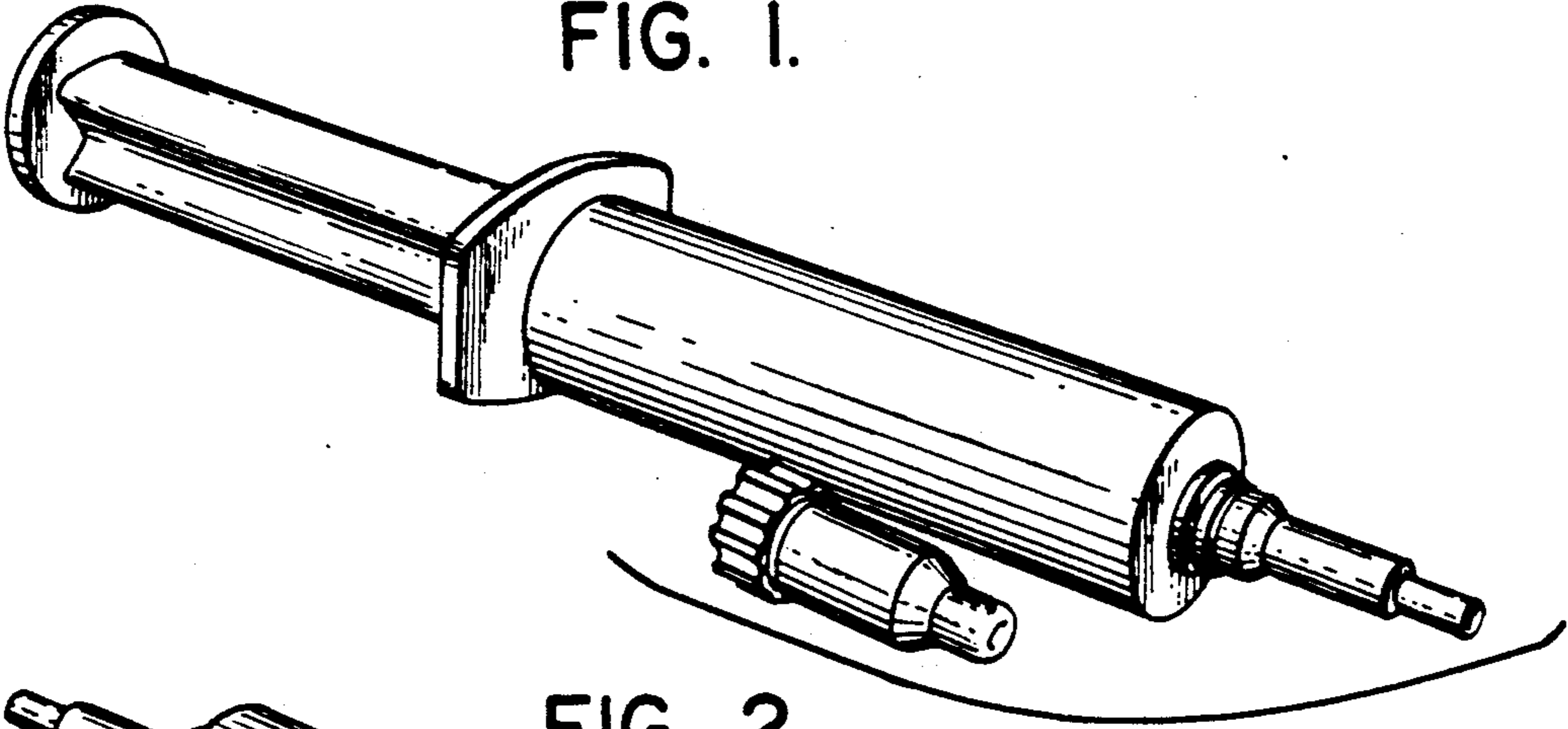


FIG. 2.

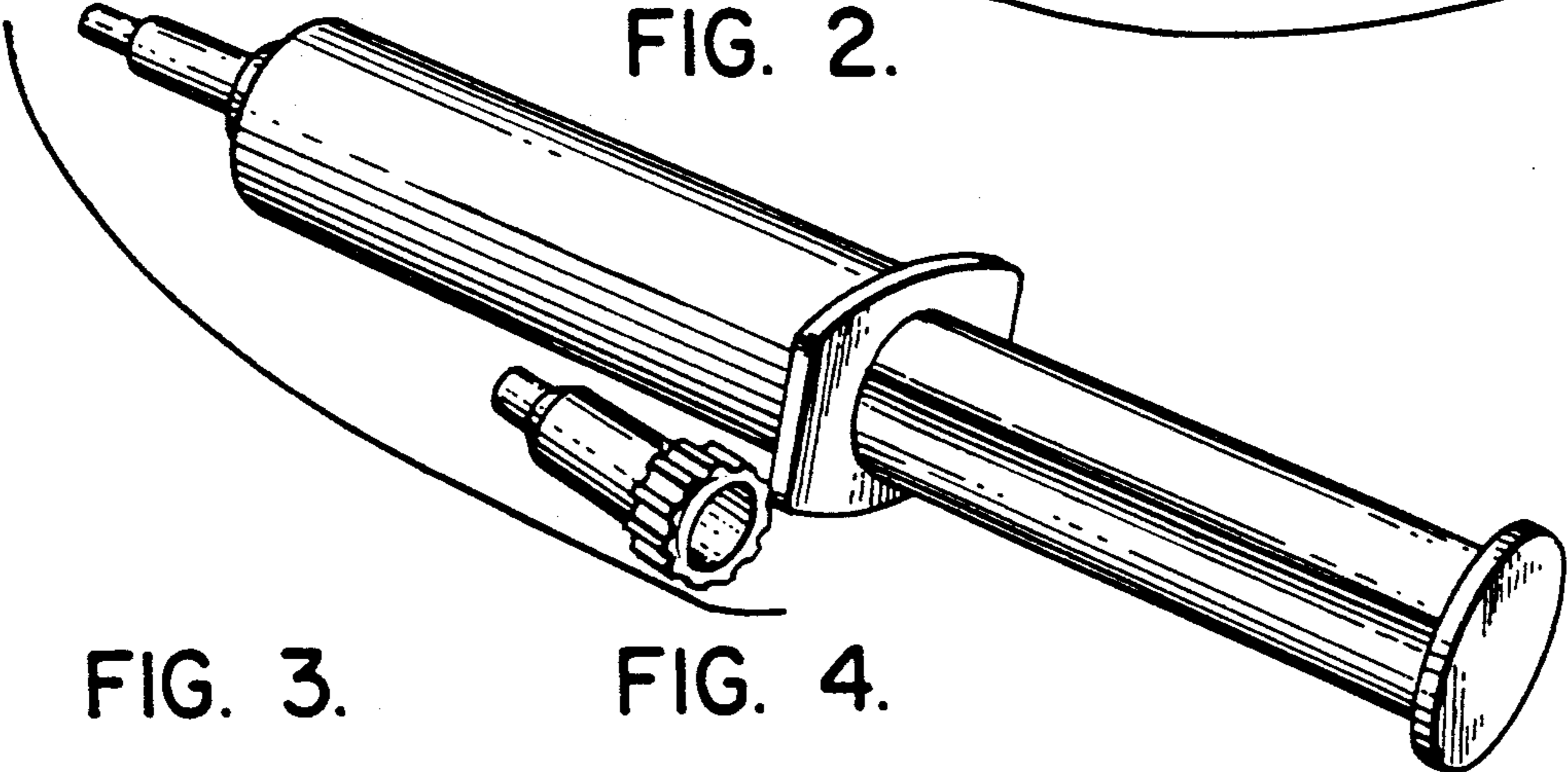


FIG. 3.

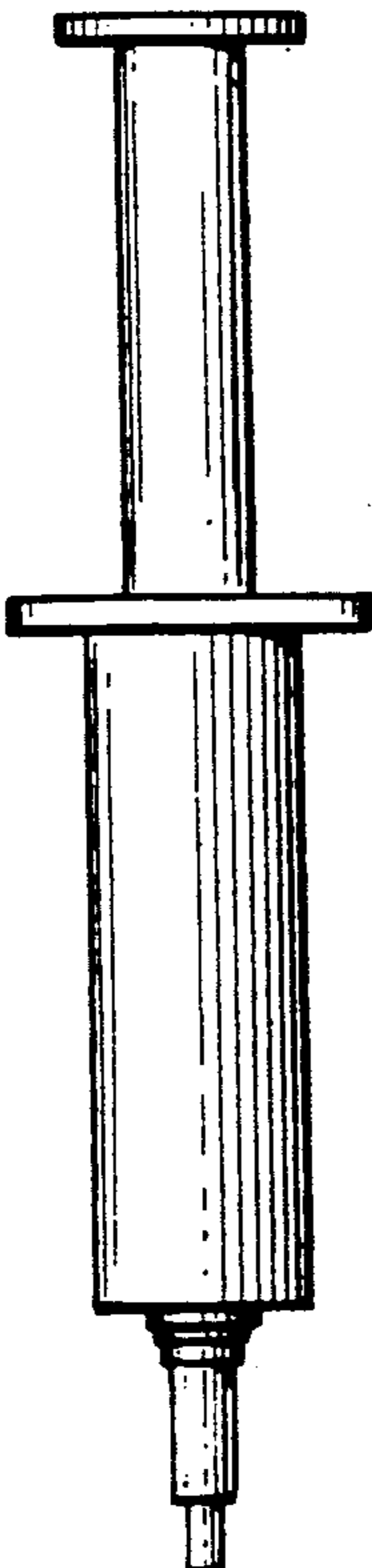


FIG. 4.

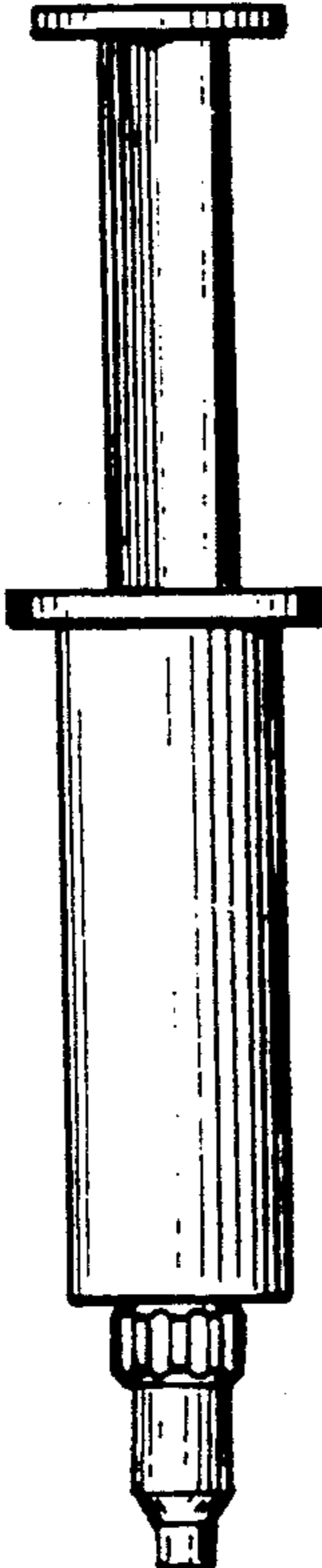


FIG. 5.

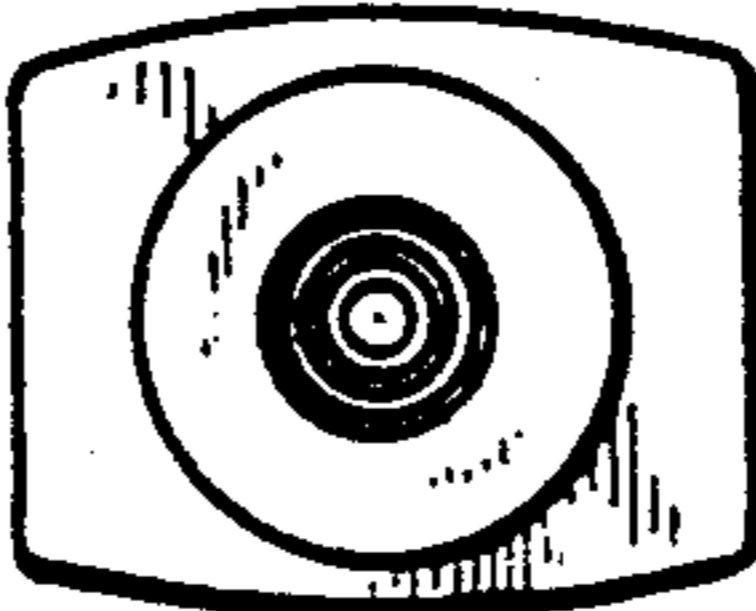


FIG. 6.

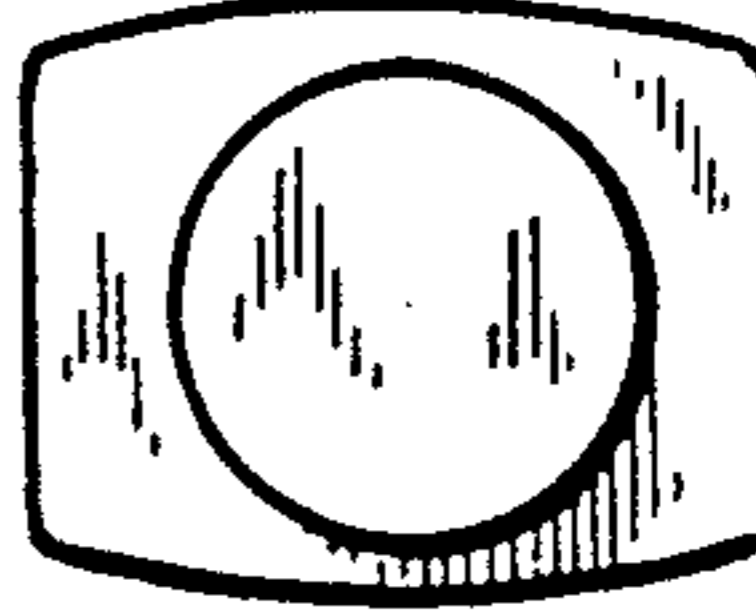


FIG. 7. FIG. 8. FIG. 9.

