

[54] POWERED LIFT FOR COMMODOE SEAT

4,185,335 1/1980 Alvis 4/251

[75] Inventors: T. Eric Aldred, 1105 Eighth St., Albany, Ga. 31707; Hal A. Council, Albany, Ga.

Primary Examiner—Susan J. Lucas
Attorney, Agent, or Firm—Frost & Jacobs

[73] Assignee: T. Eric Aldred, Albany, Ga.

[57] CLAIM

The ornamental design for a powered lift for commode seat, as shown and described.

[**] Term: 14 Years

DESCRIPTION

[21] Appl. No.: 398,730

[22] Filed: Aug. 25, 1989

[52] U.S. Cl. D23/311

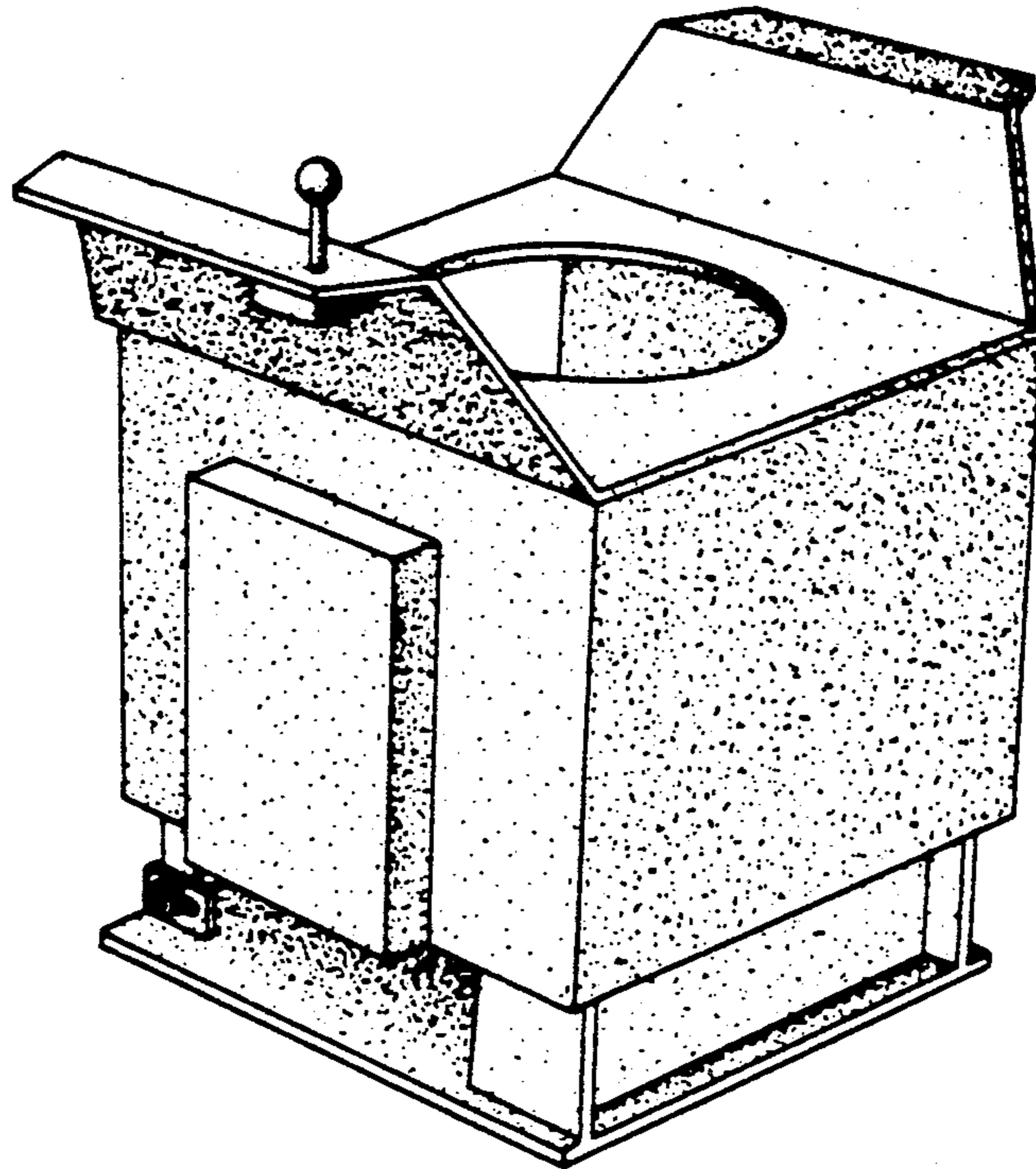
[58] Field of Search D23/311, 295; 4/251, 4/234-247

FIG. 1 is a top, front perspective view of a powered lifter for commode seat showing our new design;
FIG. 2 is a front elevational view thereof;
FIG. 3 is a side elevational view taken from the right side of FIG. 2;
FIG. 4 is a side elevational view taken from the left side of FIG. 2;
FIG. 5 is a top plan view thereof.
The rear and bottom are open and conventional.
The toilet seat is shown in broken lines in FIGS. 2 and 5 for illustrative purposes only.

[56] References Cited

U.S. PATENT DOCUMENTS

- D. 234,202 1/1975 Aldred D23/311
- 4,168,552 9/1979 Austin 4/251 X



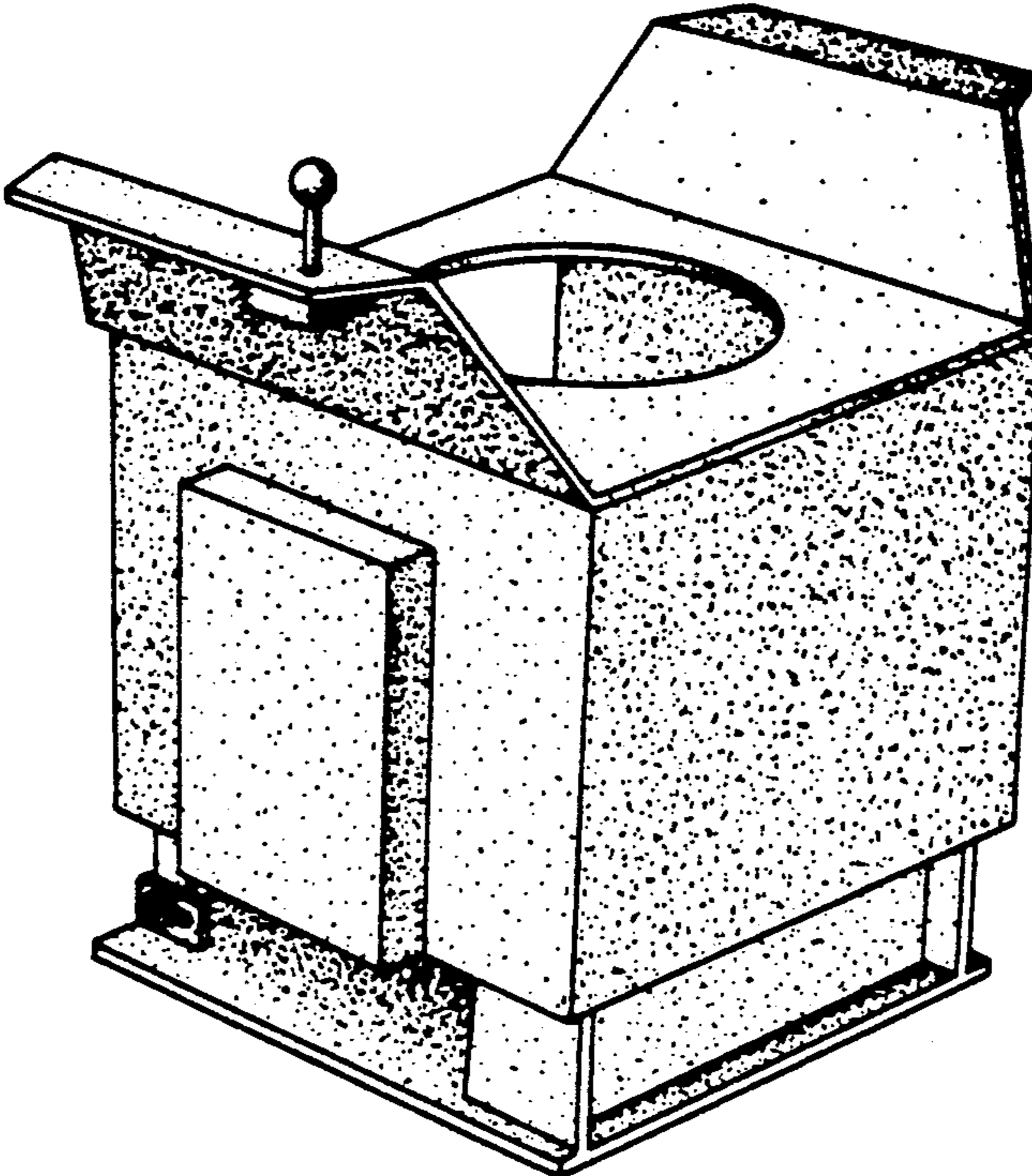


FIG. 1

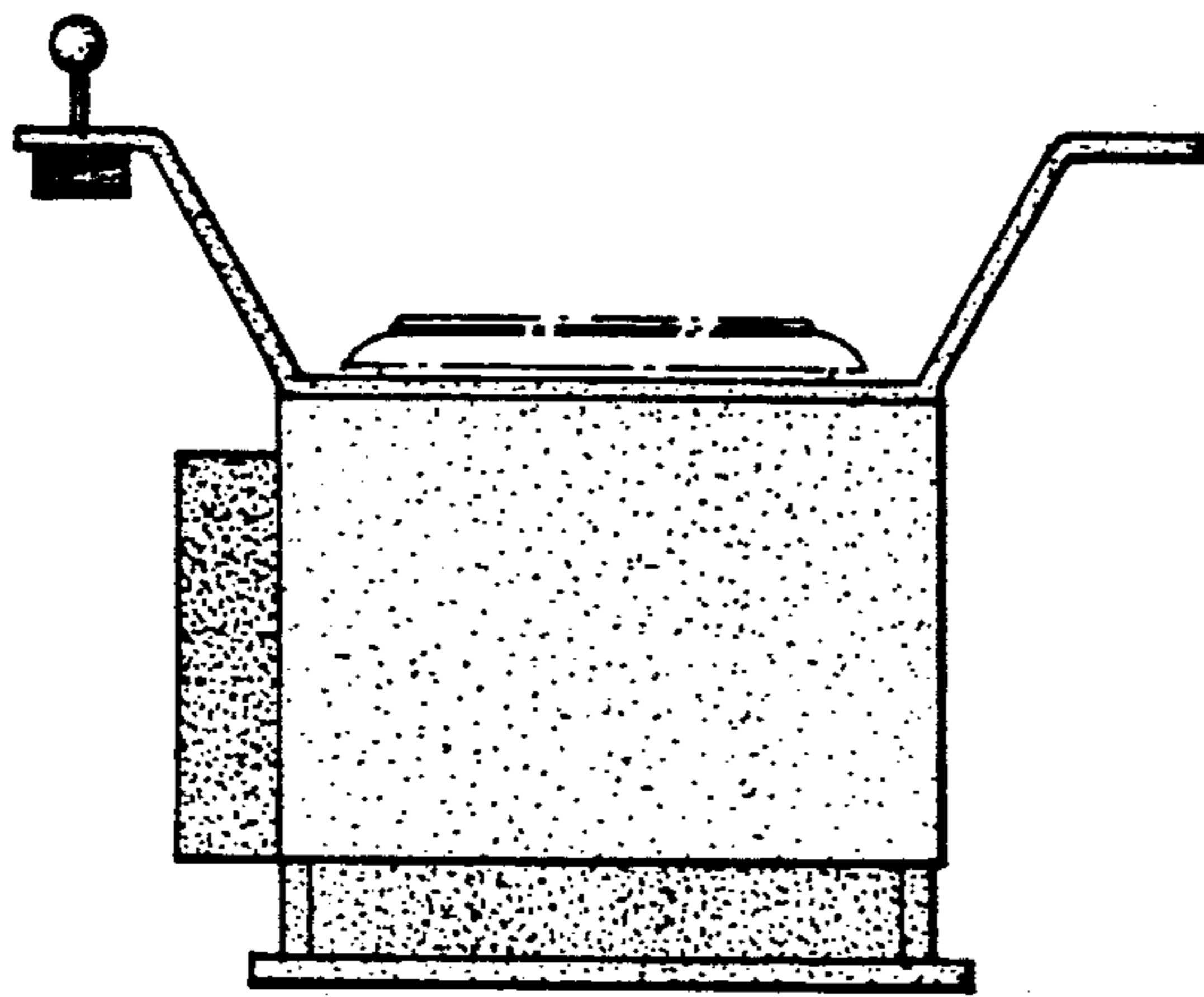


FIG. 2

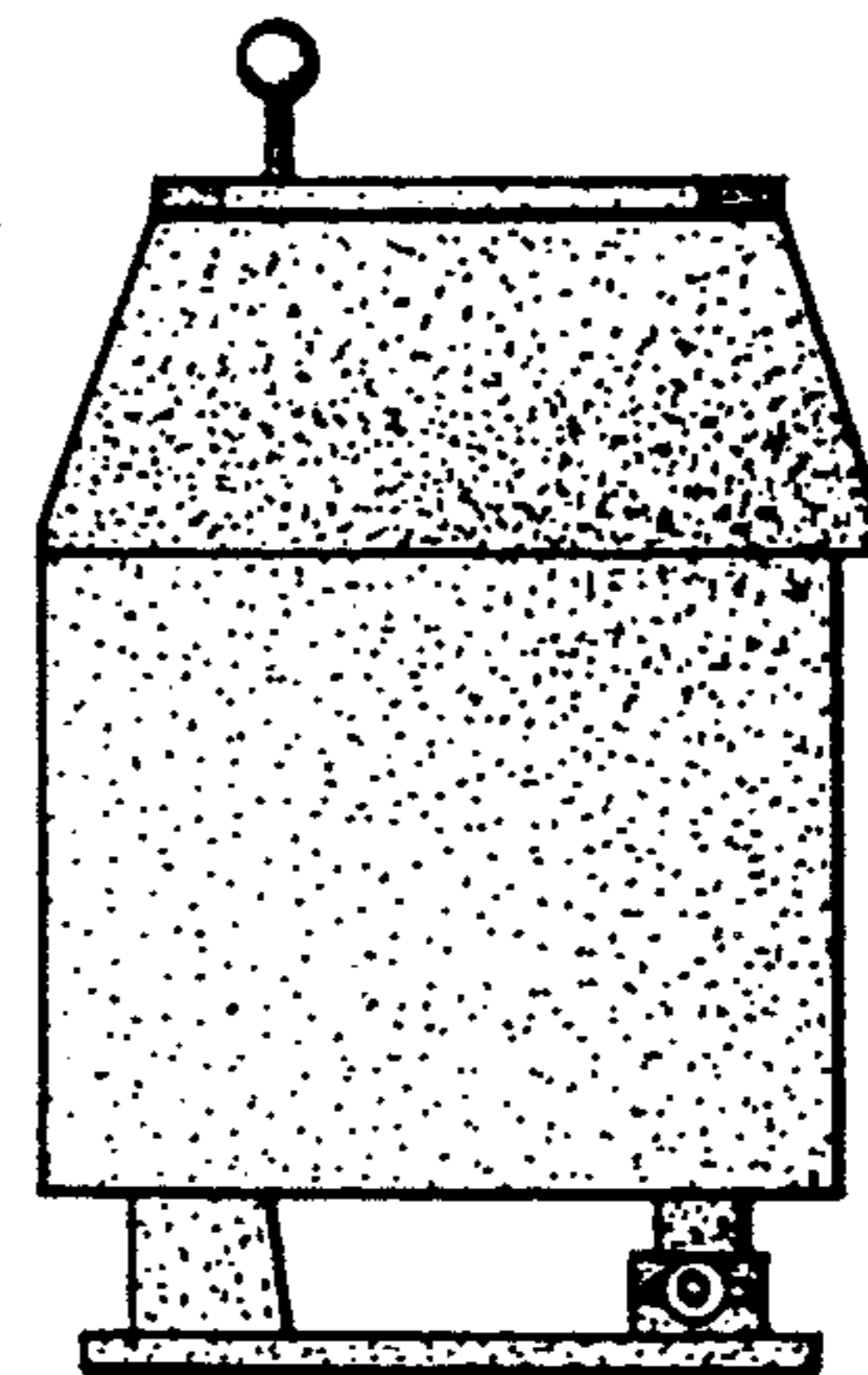


FIG. 3

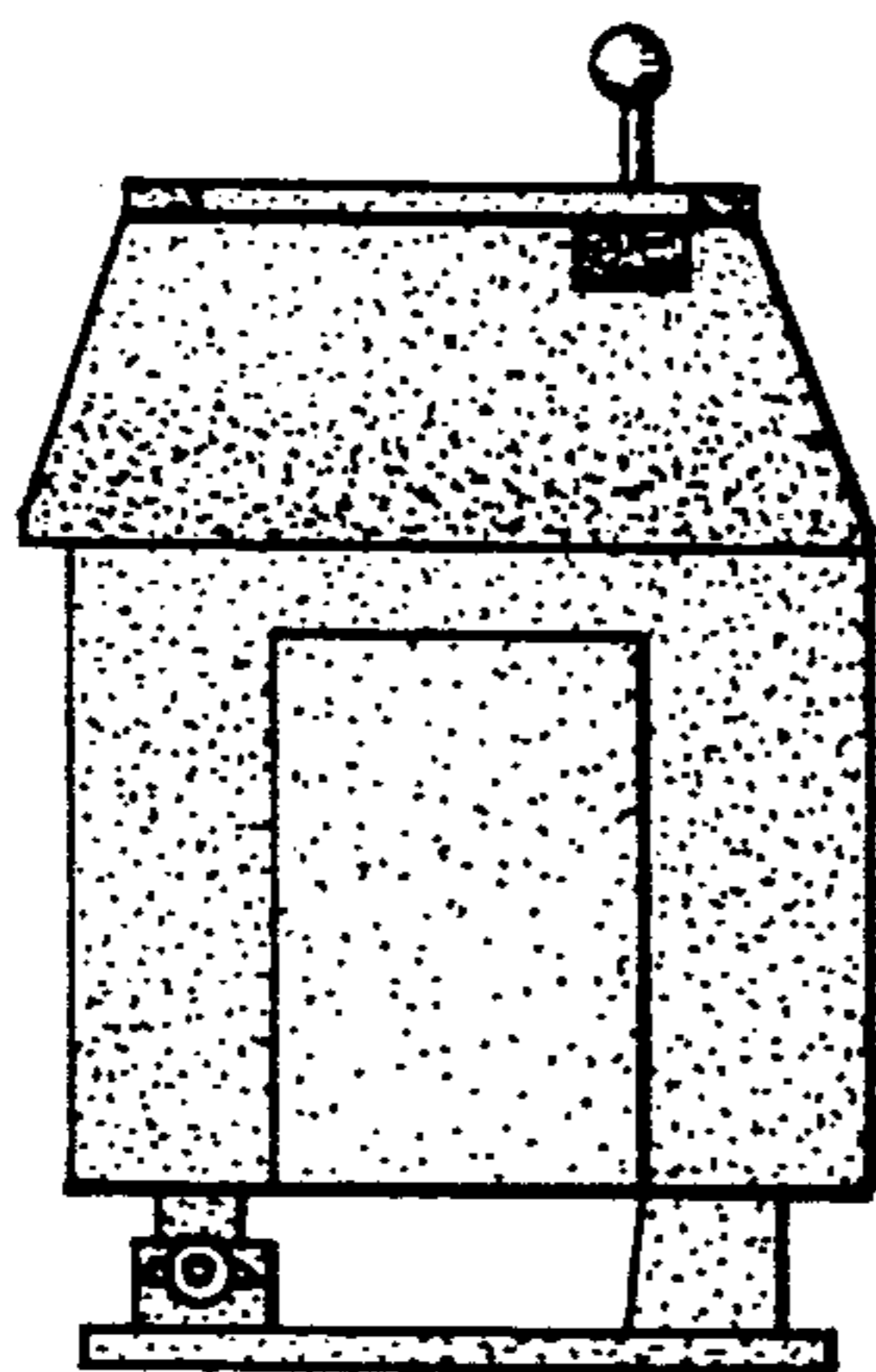


FIG. 4

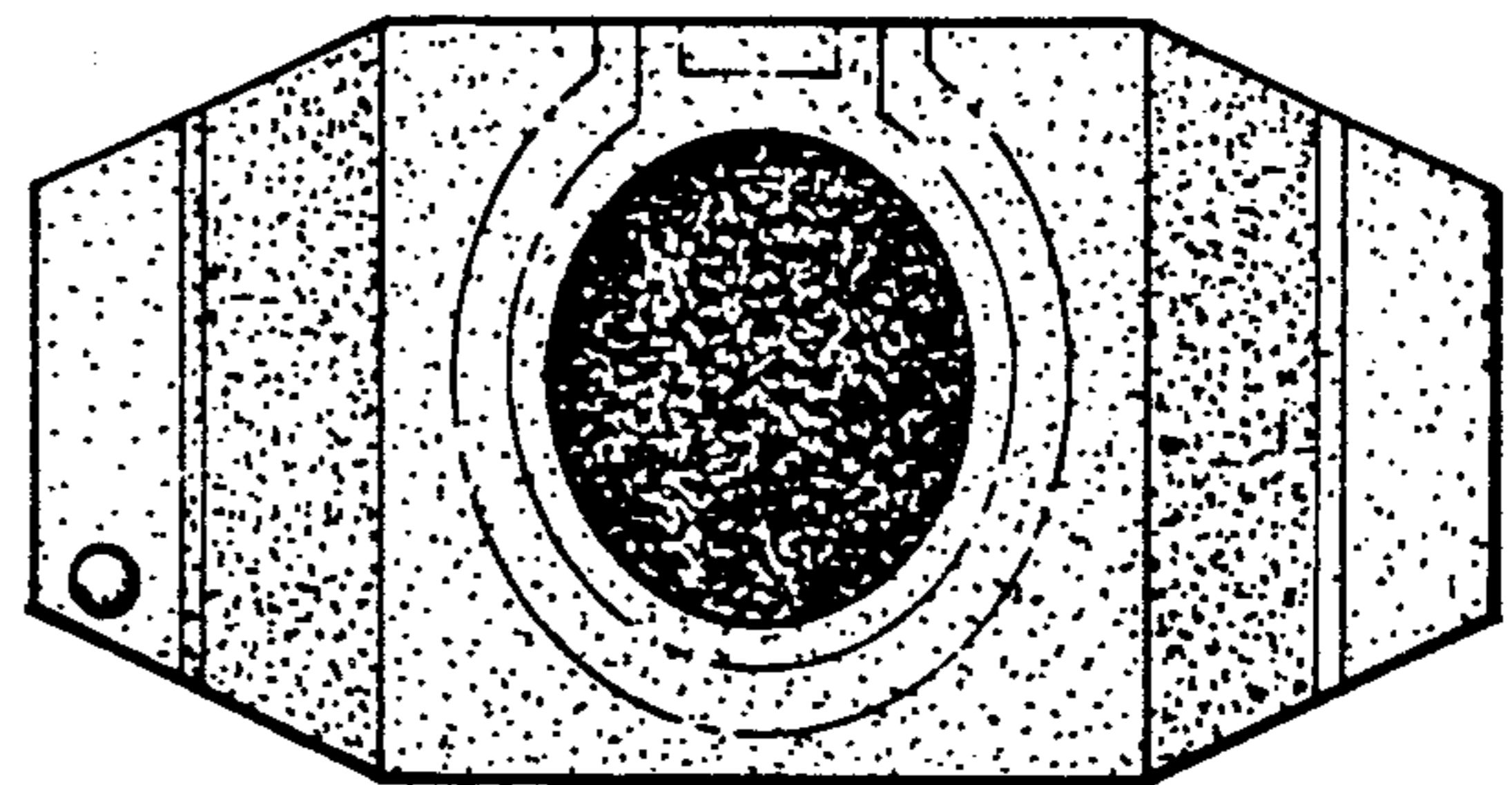


FIG. 5