

[54] **LAVATORY**

[75] **Inventor: Mary J. Reid, Sheboygan, Wis.**

[73] **Assignee: Kohler Co., Kohler, Wis.**

[\*\*] **Term: 14 Years**

[21] **Appl. No.: 693,275**

[22] **Filed: Apr. 29, 1991**

**Related U.S. Application Data**

[62] **Division of Ser. No. 214,709, Jul. 1, 1988.**

[52] **U.S. Cl. .... D23/292**

[58] **Field of Search .... D23/270-274,  
 D23/284-294, 308; 4/619, 625, 630-659**

[56] **References Cited**

**U.S. PATENT DOCUMENTS**

D. 36,882	4/1904	Weelans .....	D23/292
D. 36,907	5/1904	Weelans .....	D23/294
D. 37,435	5/1905	Kelly .....	D23/294
D. 40,401	12/1909	Crane .....	D23/294
D. 45,289	2/1914	Cochran .....	D23/292
D. 76,918	11/1928	Crane, II .....	D23/292
D. 82,116	9/1930	Steele .....	D23/292 X
D. 101,446	10/1936	Dreyfuss et al. ....	D23/292 X
D. 125,054	2/1941	Lewis .....	D23/292
D. 231,675	5/1974	Fee .....	D23/294
D. 258,079	1/1981	Primault .	
D. 289,792	5/1987	hardion .....	D23/292

**OTHER PUBLICATIONS**

The "Victorian Range" by B. C. Sanitan (admitted prior art).  
 The "1014 G/W Old Time" by Giorgio (admitted prior art).

The "119/3470 Pedestal Wash Basin" by Phylrich (admitted prior art).

The "1005 Classica" by Giorgio, undated (admitted prior art).

The "Epoca" by Ceramica Dolomite, dated 1985.

Pages 8-22 of the 1987 K-400 Kohler Co. Plumbing Products Catalog (admitted prior art).

Pages, 7, 9, and 10 of a 1988 Kohler Co. Catalog (admitted prior art).

Two pages from a 1914 Kohler Co. K-Catalog showing the "Waldorf" and Willard lavatories.

A 1985 Sunrise Specialty ad for the "Sunrise Pedestal Sink".

A 1930 Speakman ad for the 893 pedestal sink.

*Primary Examiner*—James R. Largen

*Attorney, Agent, or Firm*—Quarles & Brady

[57] **CLAIM**

The ornamental design for a lavatory, as shown and described.

**DESCRIPTION**

FIG. 1 is a perspective view taken from the top, front and right side of a lavatory showing my new design;

FIG. 2 is a top plan view thereof;

FIG. 3 is a front elevational view thereof;

FIG. 4 is a right side elevational view thereof, the left side elevational view being the mirror image of the right side;

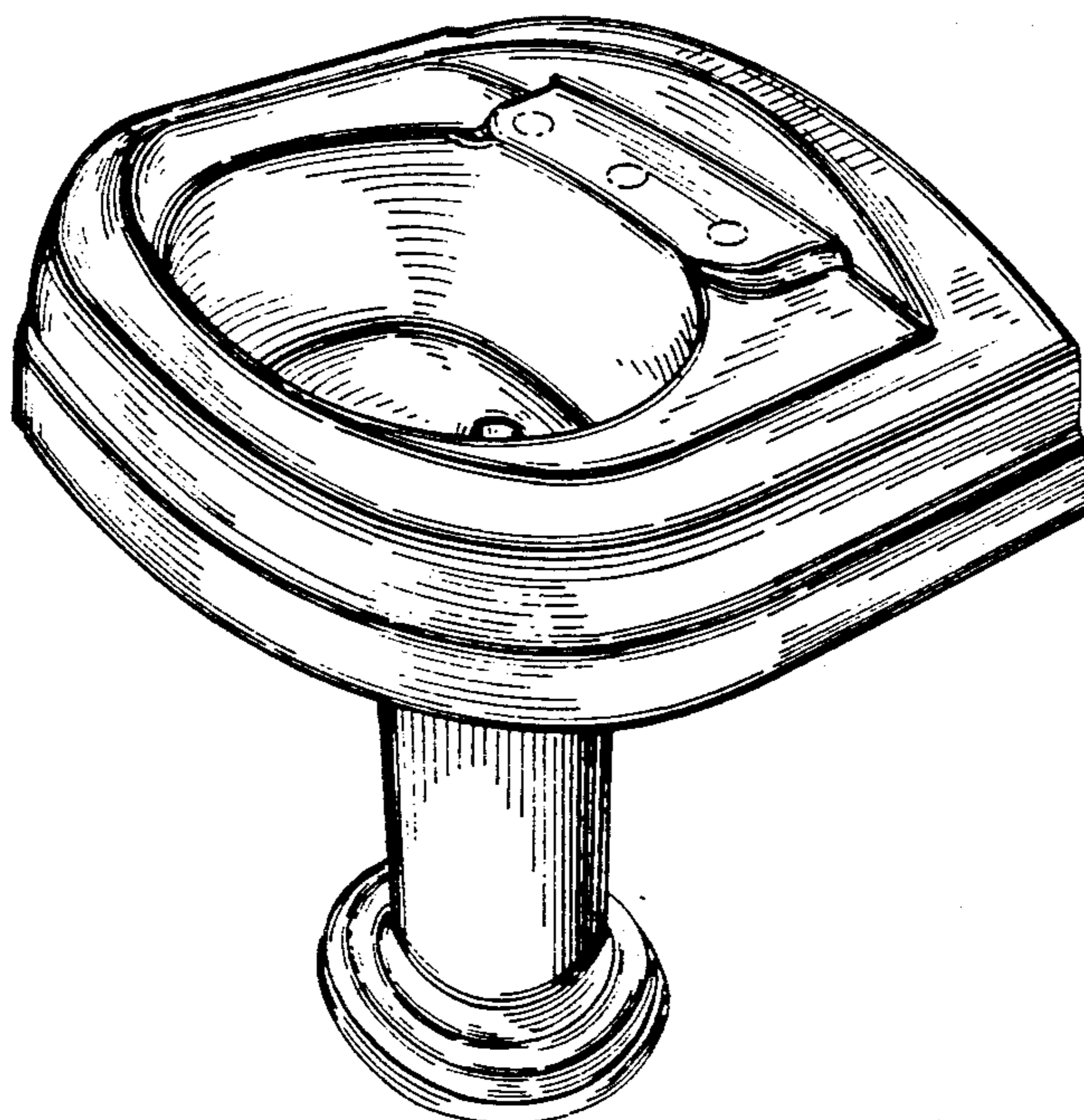
FIG. 5 is a bottom plan view thereof;

FIG. 6 is a rear elevational view thereof;

FIG. 7 is a fragmentary cross-sectional view taken on line 7-7 of FIG. 2; and

FIG. 8 is a fragmentary cross-sectional view taken on line 8-8 of FIG. 2.

The broken line representations of holes in FIGS. 1, 2, and 5 are for the purpose of illustration only and form no part of the claimed invention.





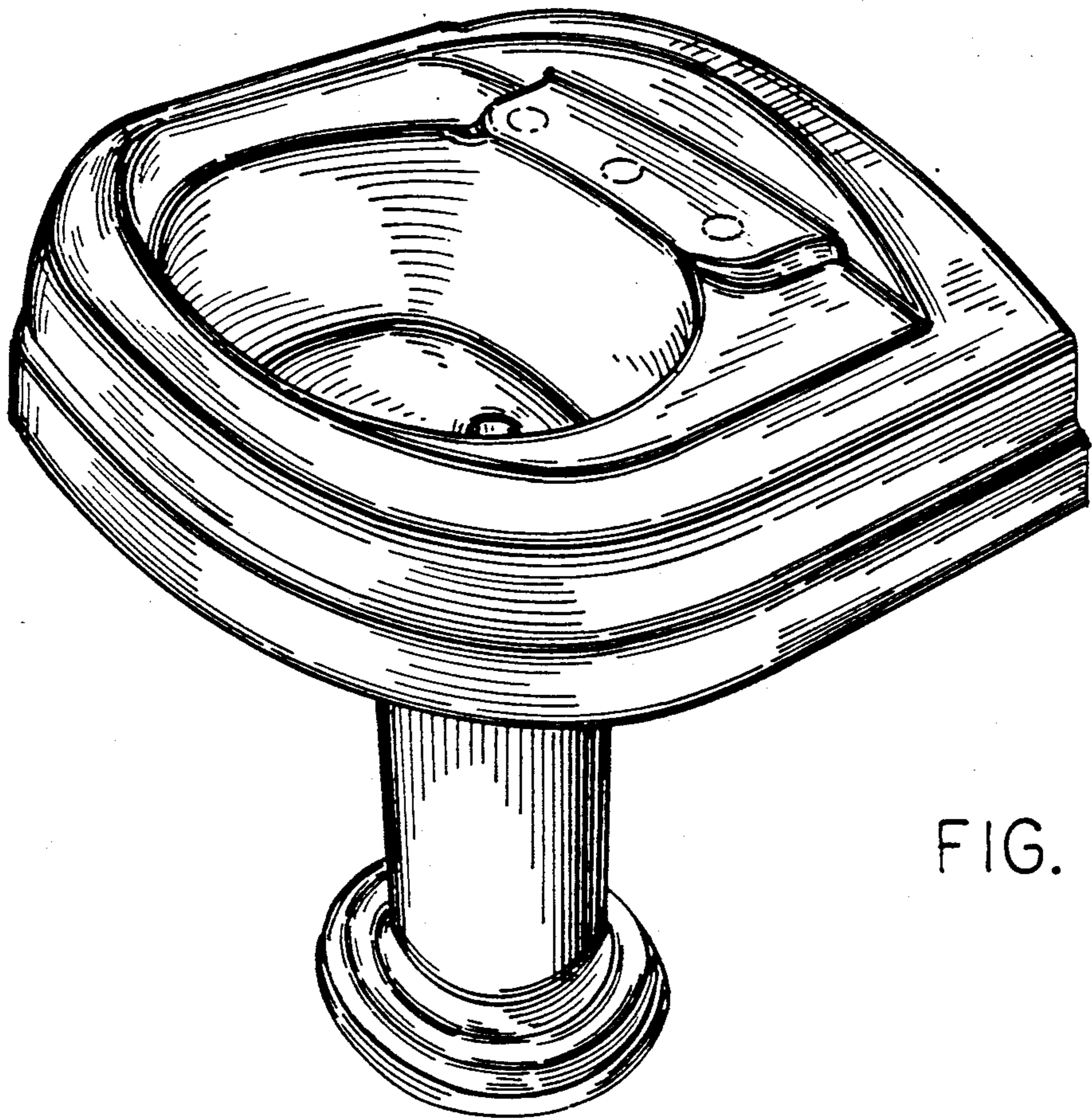


FIG. 1

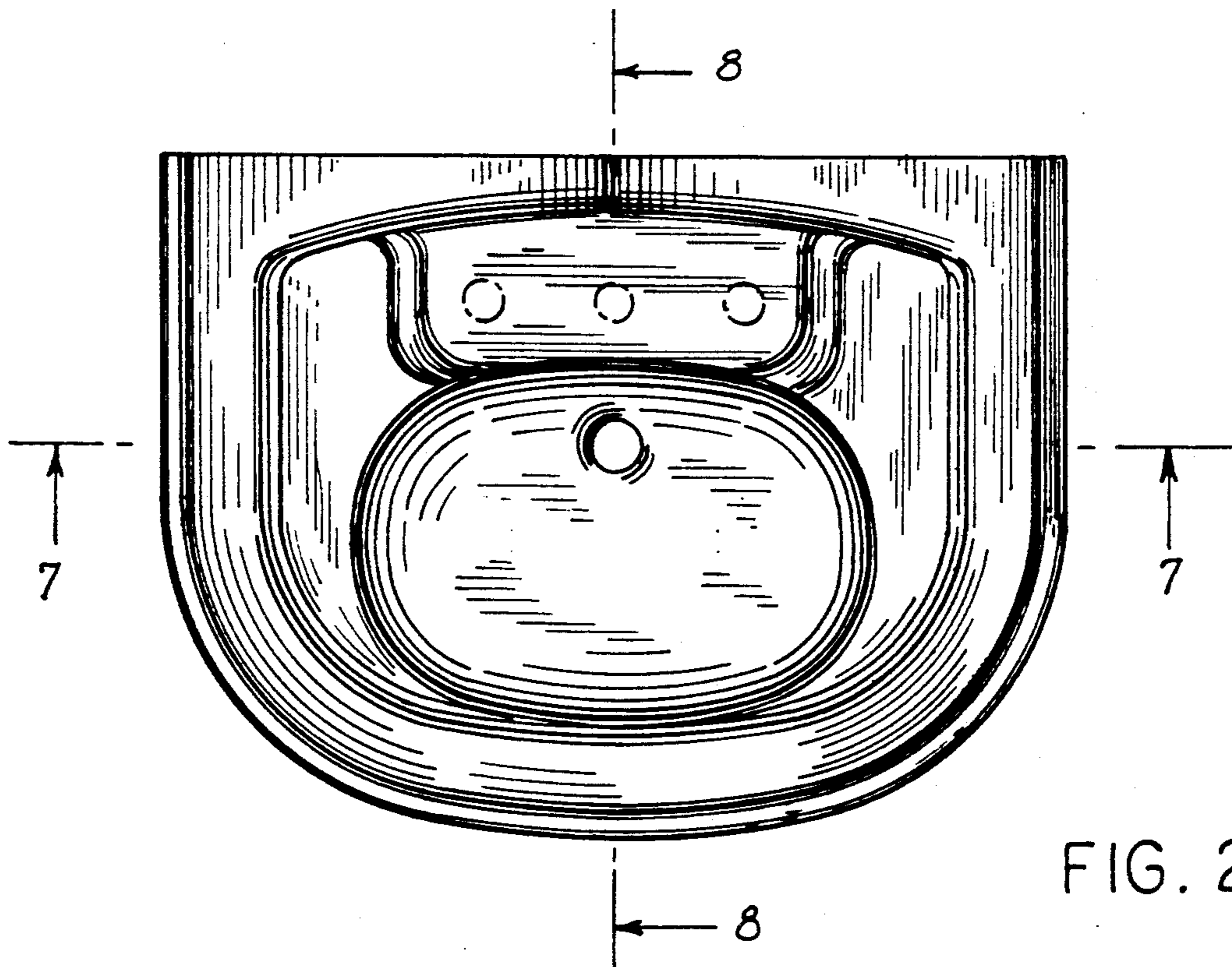


FIG. 2

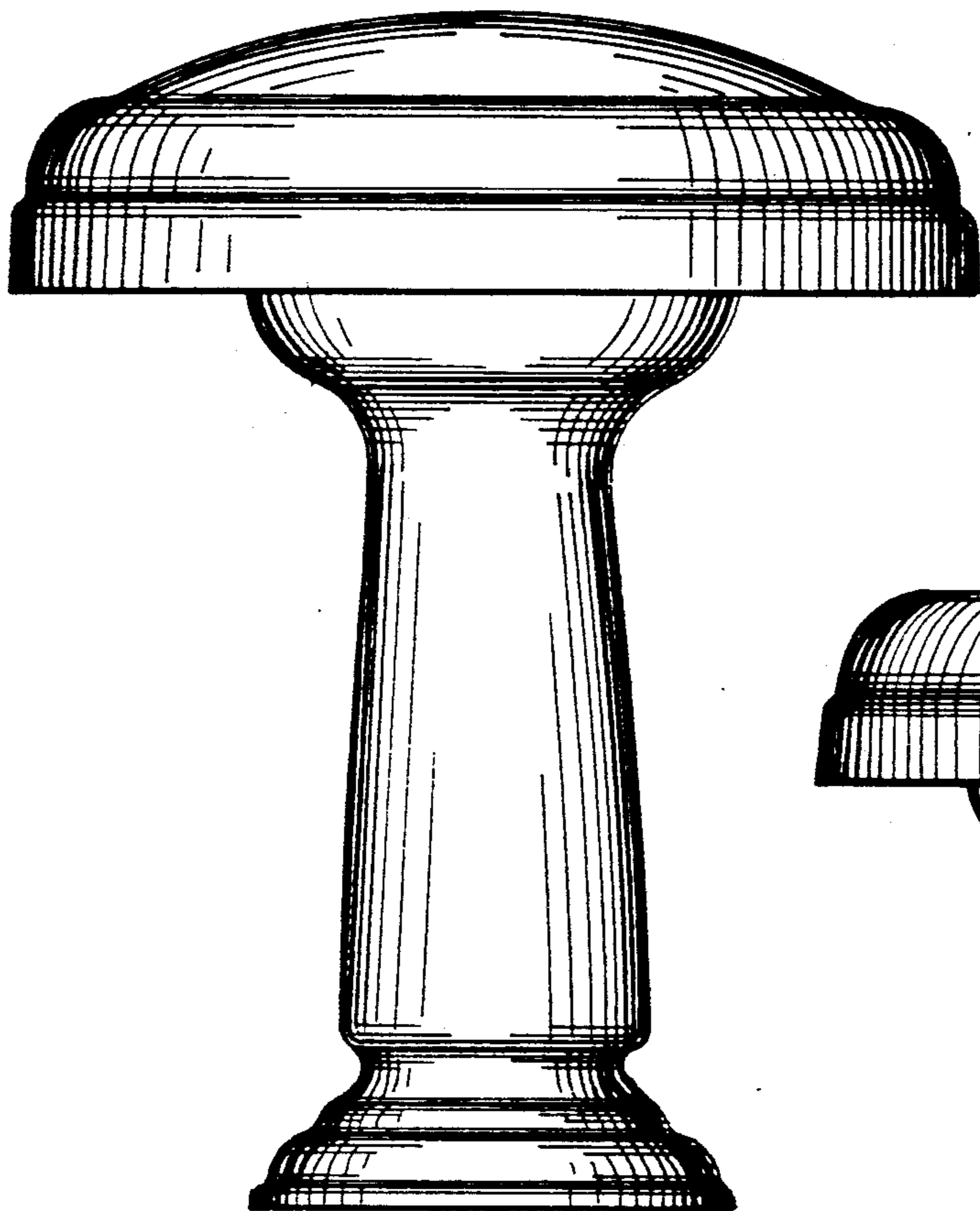


FIG. 3

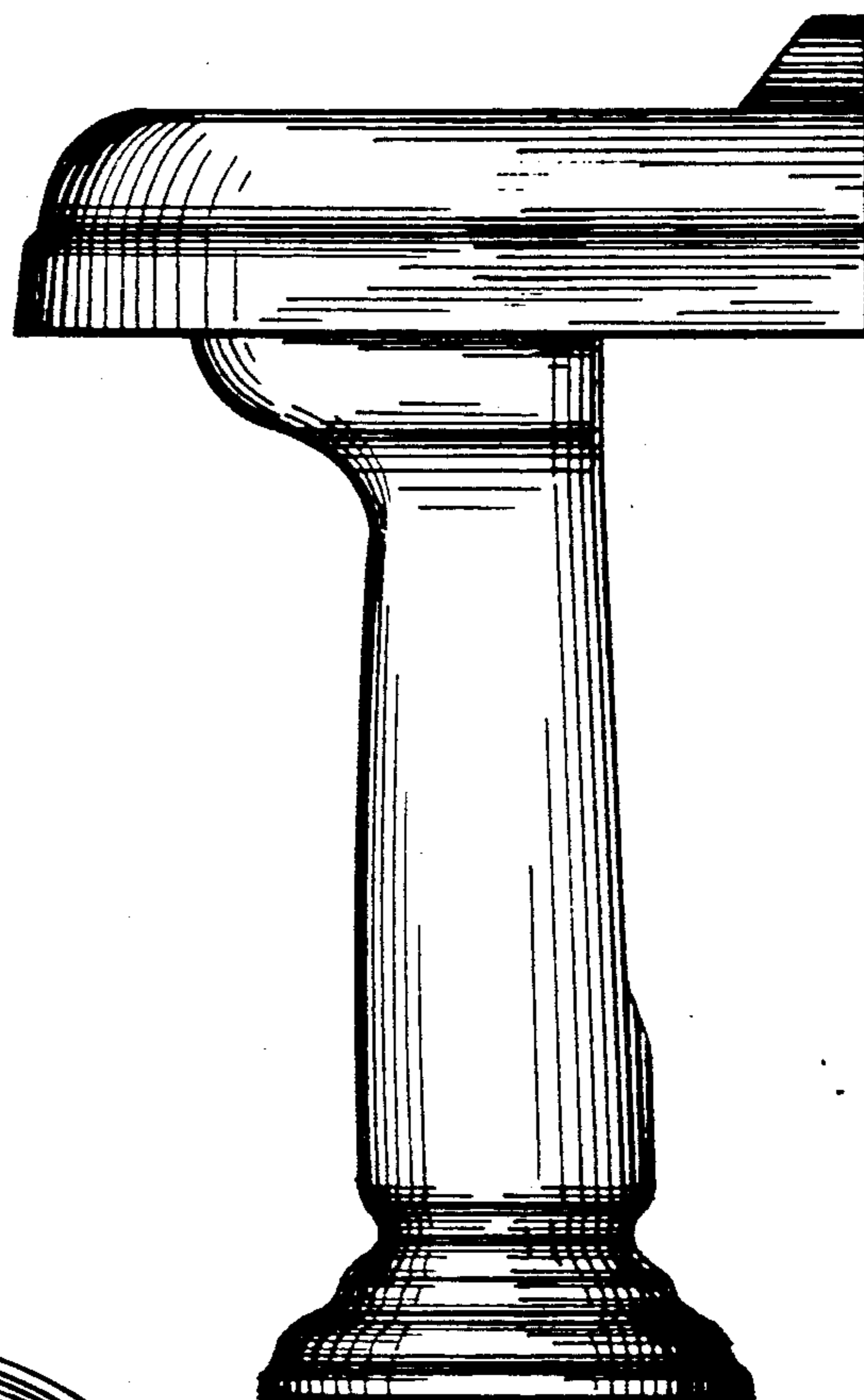


FIG. 4

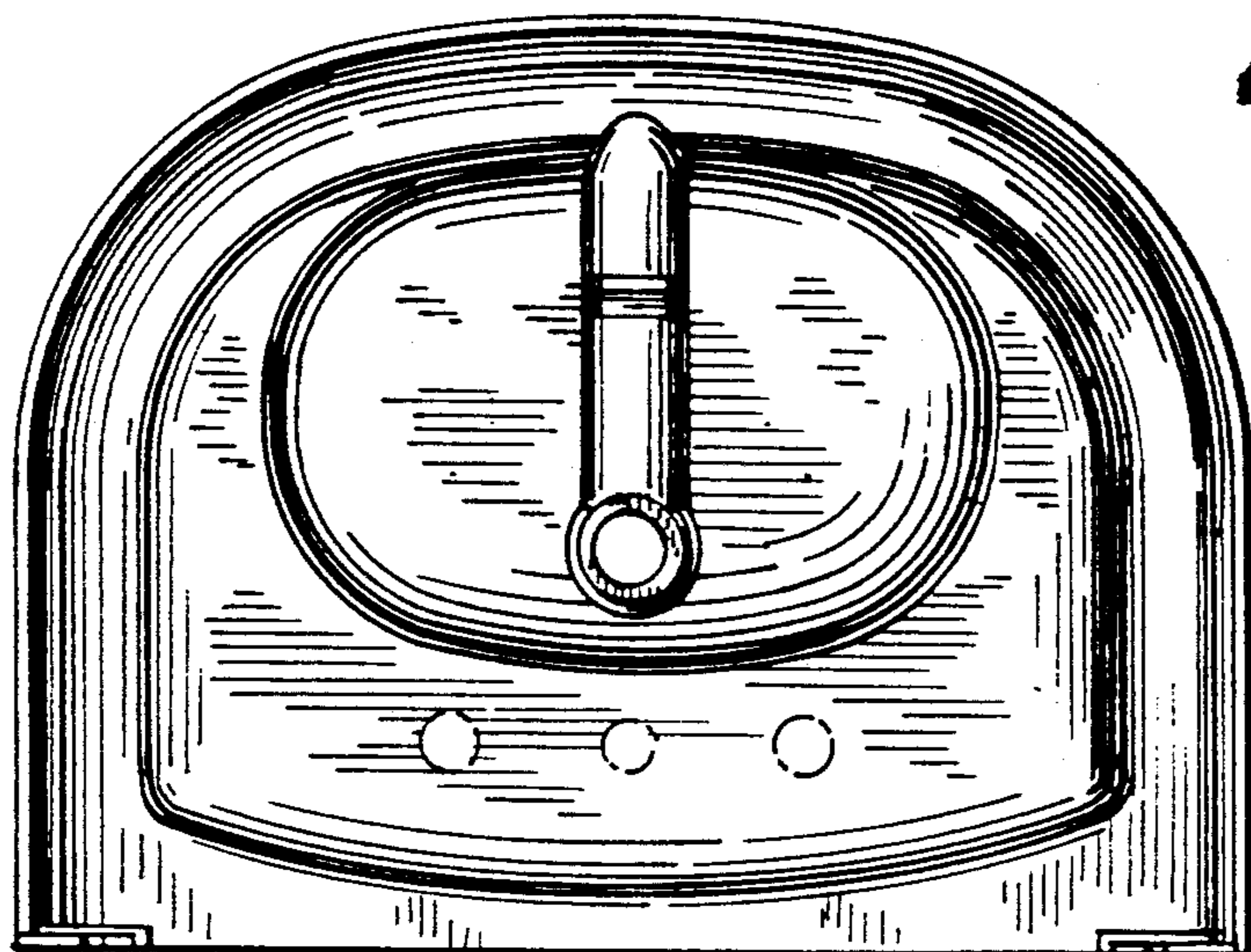


FIG. 5



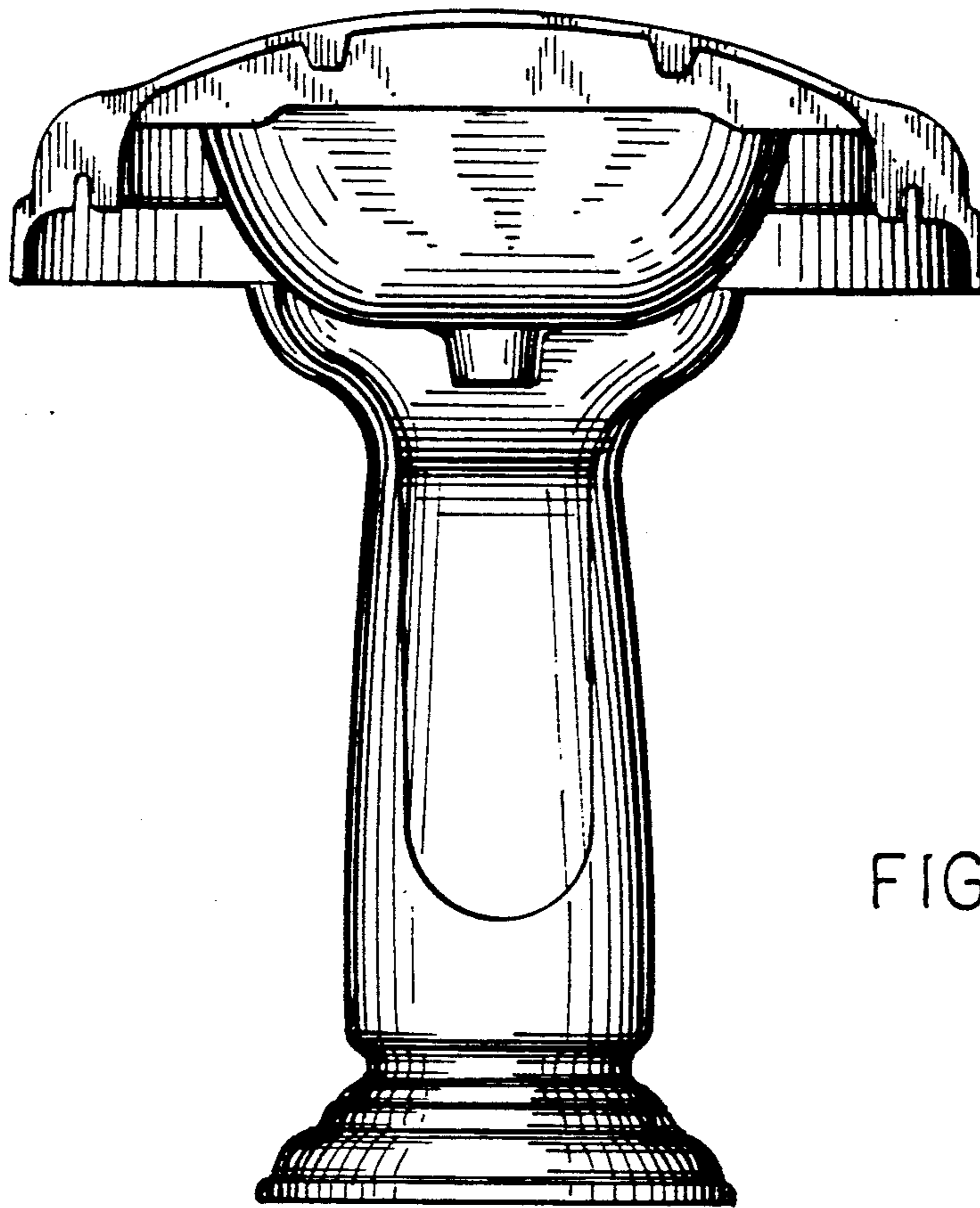


FIG. 6

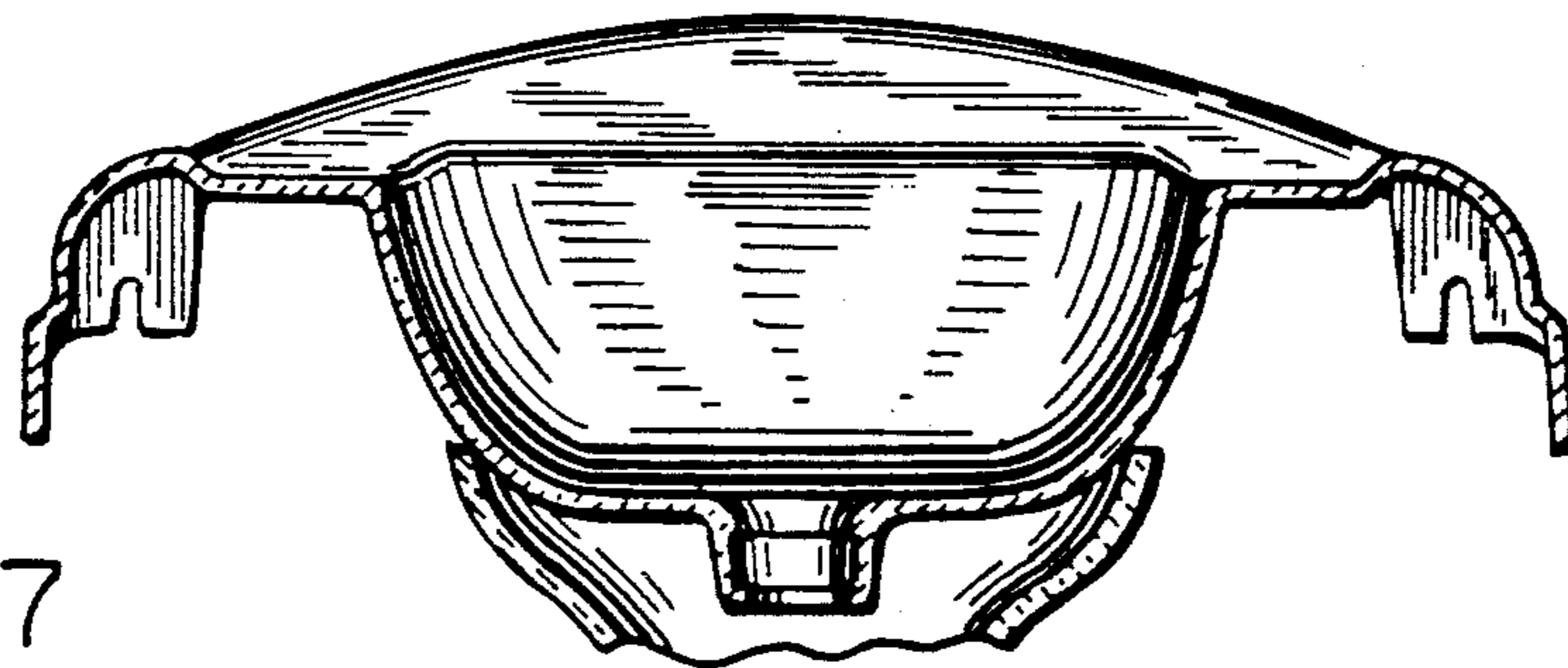


FIG. 7

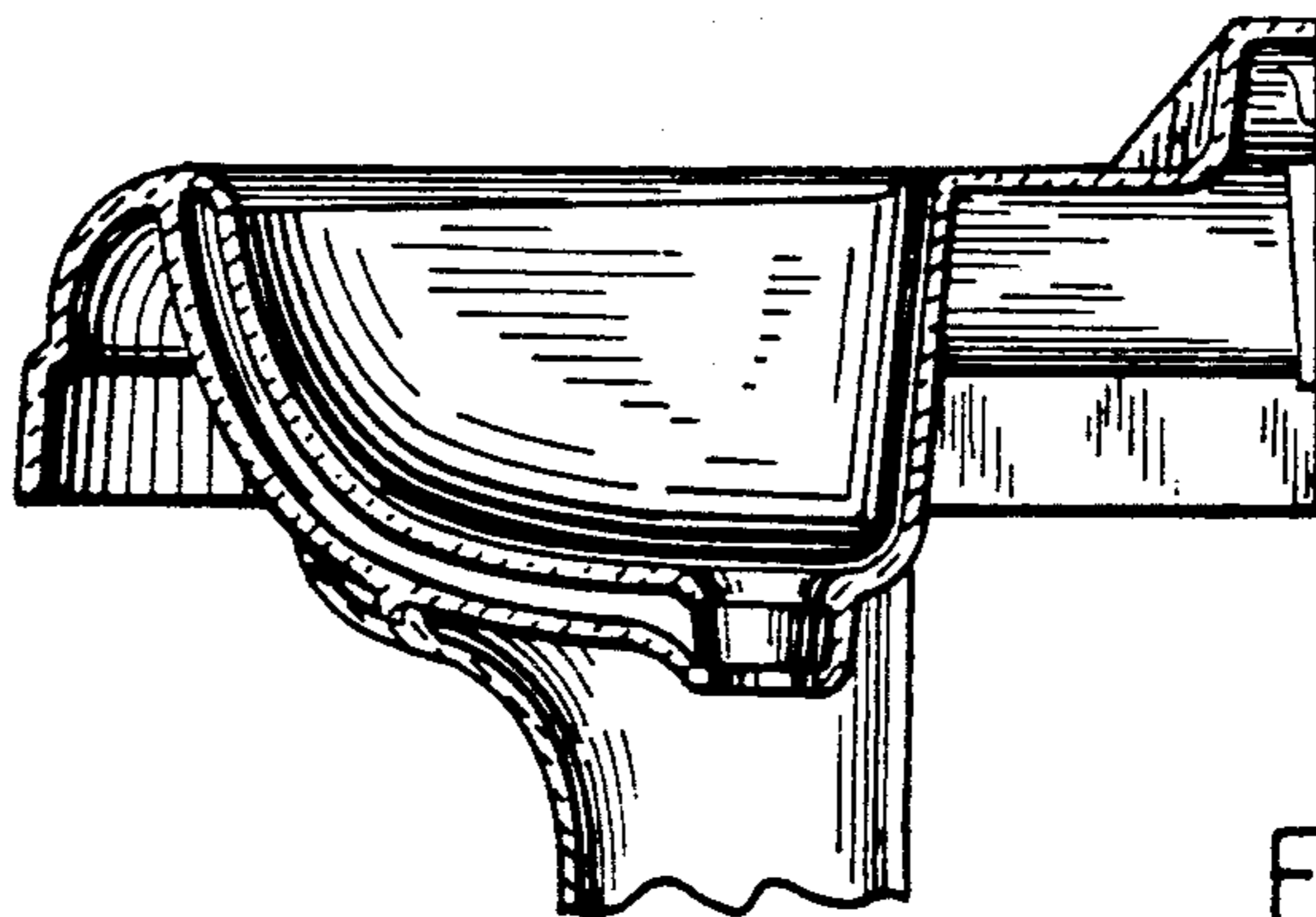


FIG. 8