

[54] FAUCET SET

[75] Inventor: Stanley M. Paul, Greenwich, Conn.

[73] Assignee: Paul Associates, Inc., Long Island City, N.Y.

[**] Term: 14 Years

[21] Appl. No.: 308,248

[22] Filed: Feb. 8, 1989

[52] U.S. Cl. D23/242

[58] Field of Search D23/238-243;
4/191, 192; 137/801

[56] References Cited

U.S. PATENT DOCUMENTS

D. 265,580	7/1982	Paul	D23/242
D. 271,514	11/1983	Paul	D23/242
D. 278,458	4/1985	Paul	D23/242
D. 279,213	6/1985	Paul	D23/242
D. 280,232	8/1985	Paul	D23/242

D. 290,869	7/1987	Paul	D23/242
D. 290,871	7/1987	Paul	D23/242
D. 297,755	9/1988	Paul	D23/242
D. 300,940	5/1989	Paul	D23/242
D. 308,718	6/1990	Strignano	D23/242

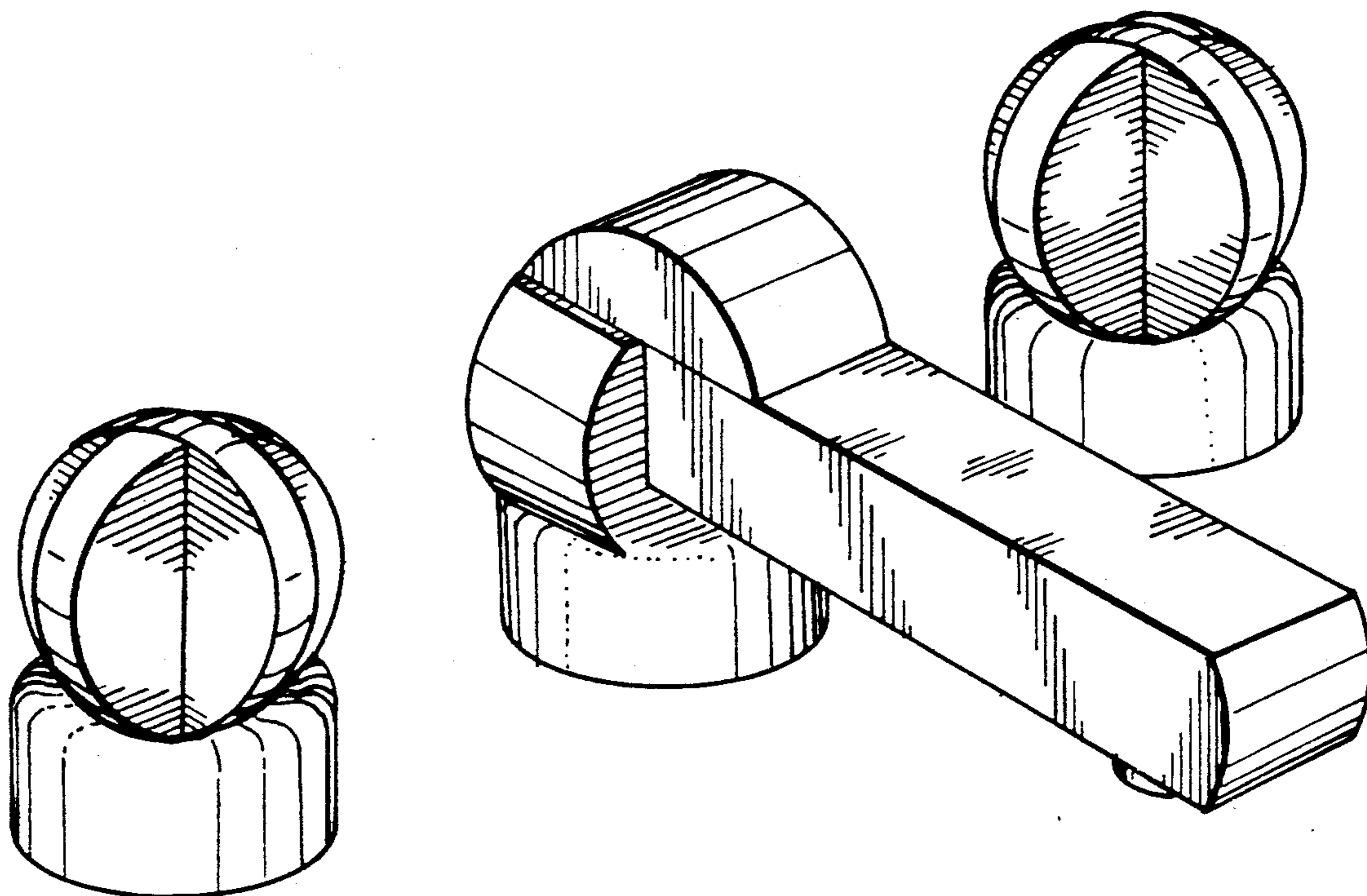
Primary Examiner—James R. Largen
Attorney, Agent, or Firm—Darby & Darby

[57] CLAIM

The ornamental design for a faucet set, as shown and described.

DESCRIPTION

FIG. 1 is a top perspective view of a faucet set showing my new design;
FIG. 2 is a top plan view thereof;
FIG. 3 is a front elevational view thereof;
FIG. 4 is a left side elevational view thereof, the right side being a mirror image of the left side shown;
FIG. 5 is a rear elevational view thereof; and
FIG. 6 is a bottom plan view thereof.



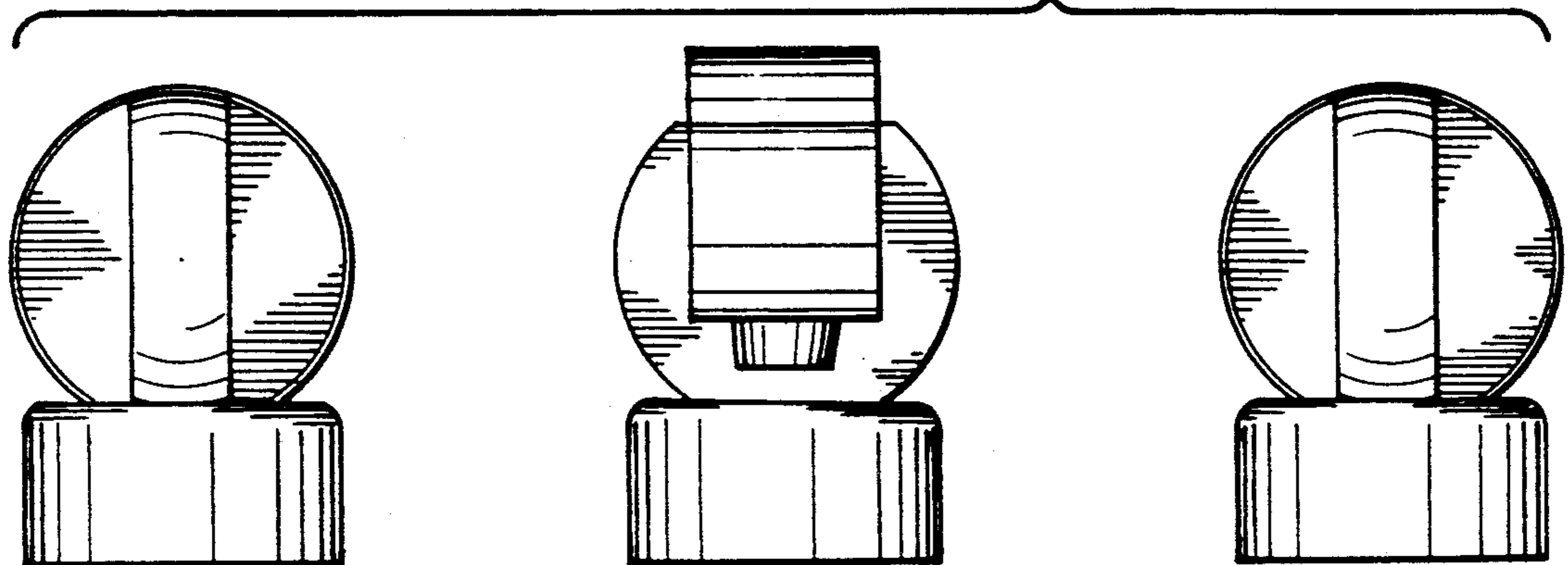
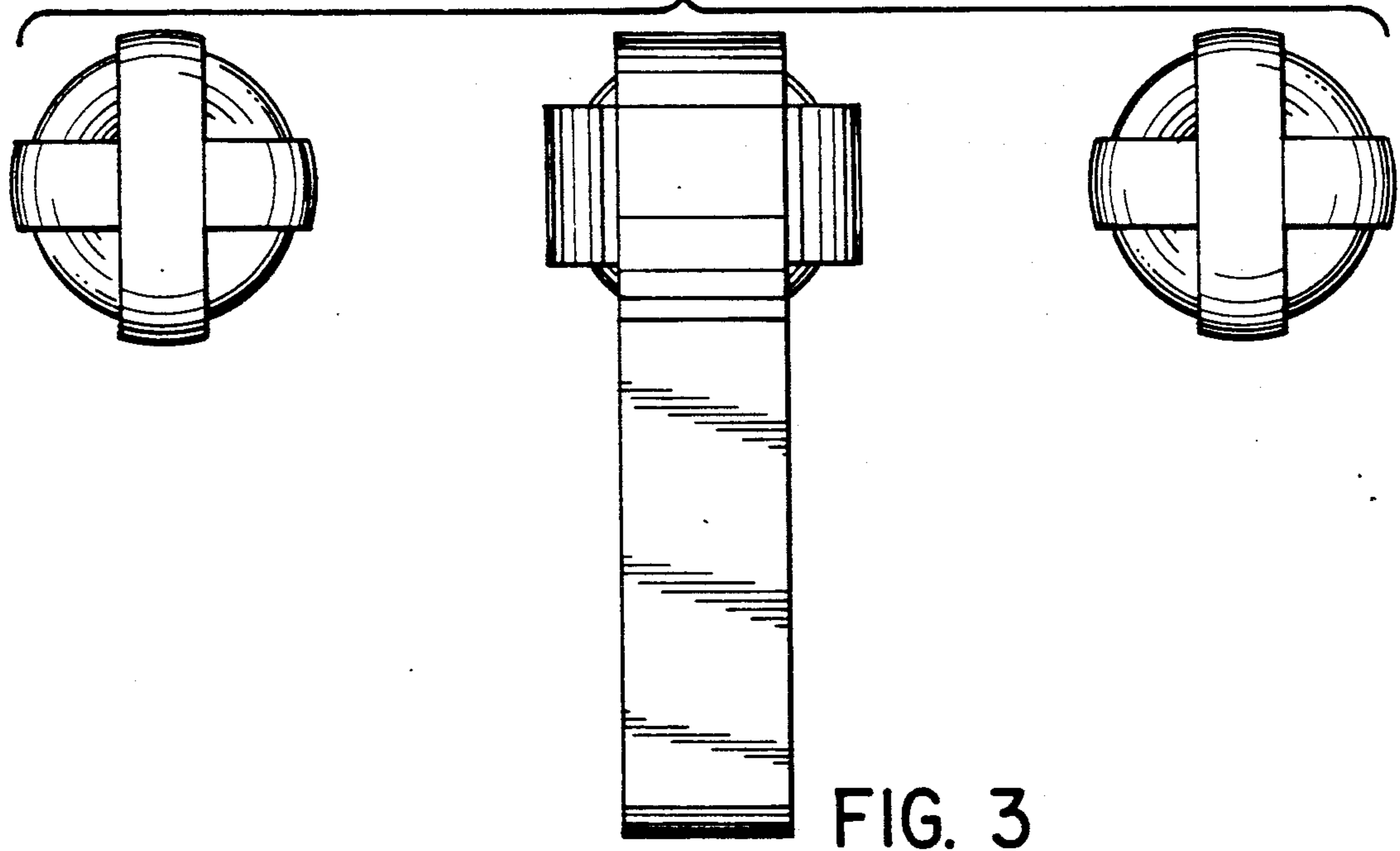
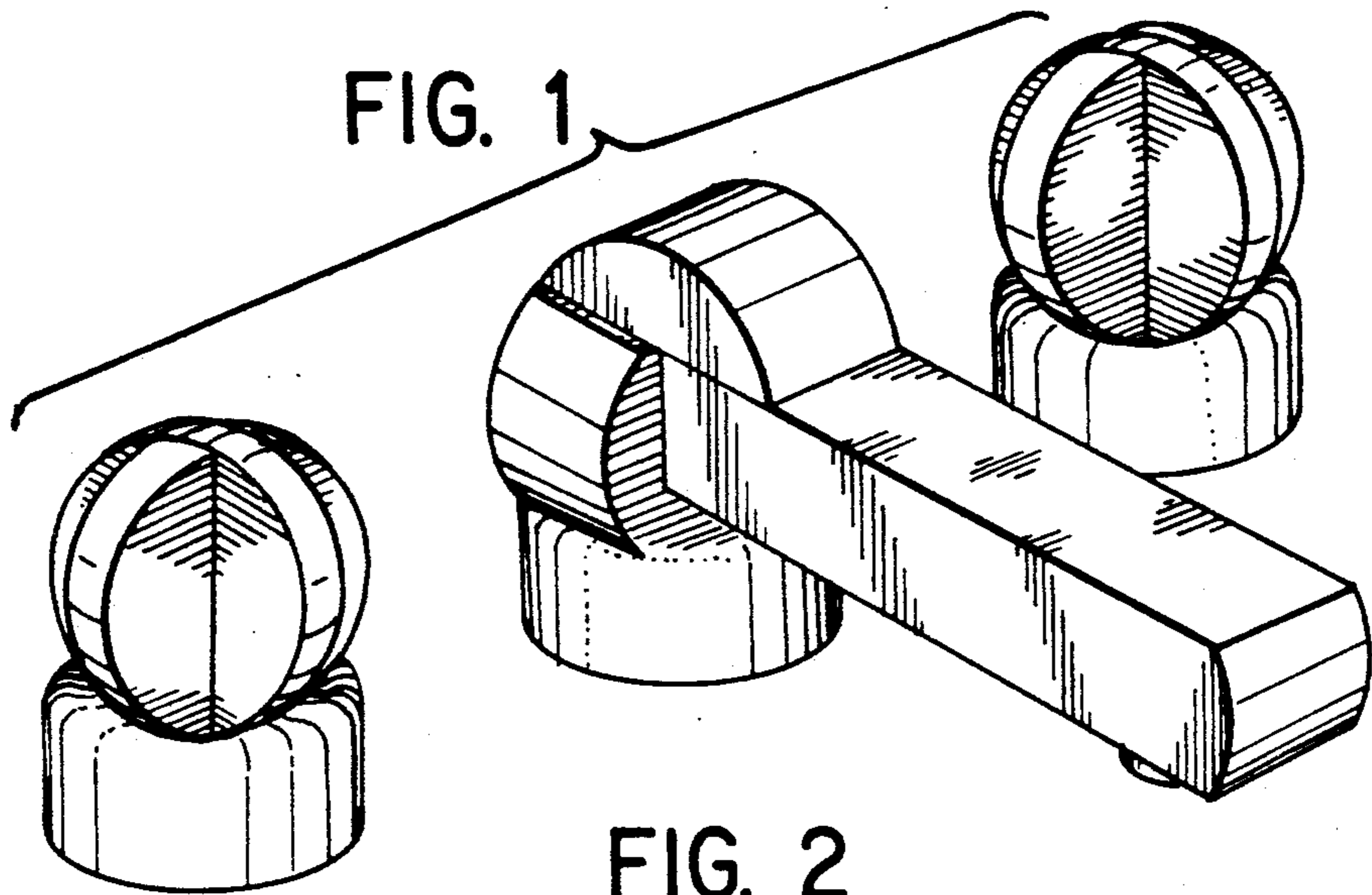


FIG. 4

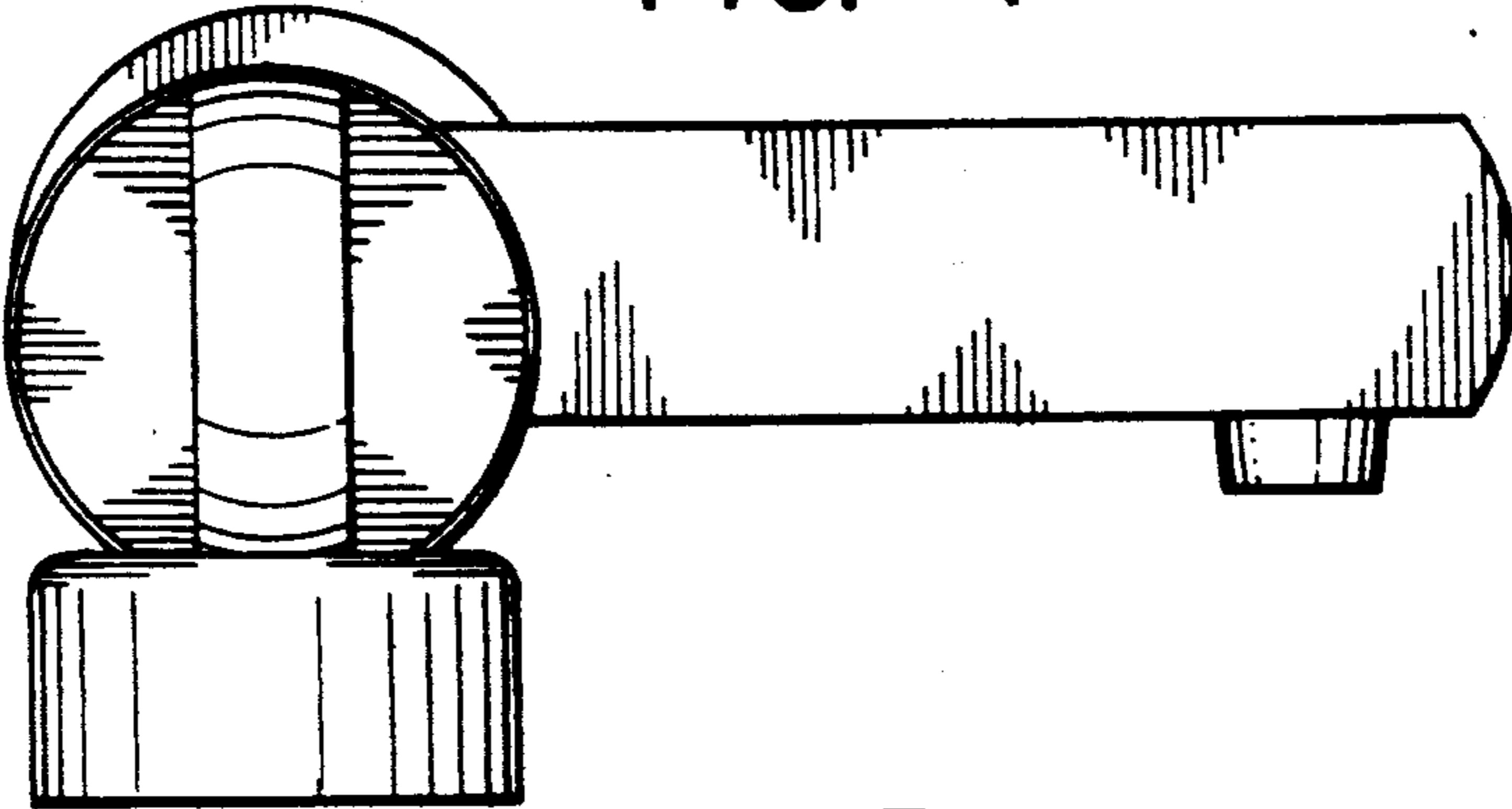


FIG. 5

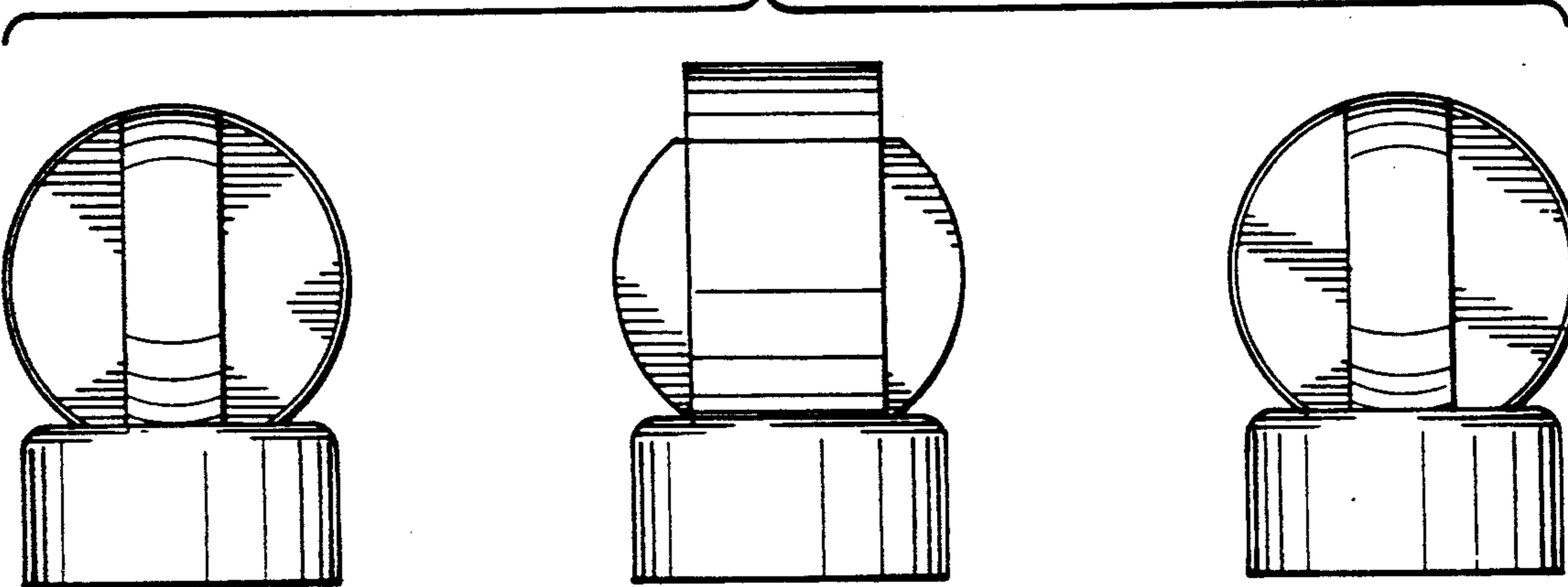


FIG. 6

