

[54] AIR GAP ANTI-SIPHON VALVE
[76] Inventor: Ralph Brito, 1514 Trenton Pl.,
Anaheim, Calif. 92802
[**] Term: 14 Years
[21] Appl. No.: 274,038
[22] Filed: Nov. 21, 1988
[52] U.S. Cl. D23/235
[58] Field of Search D23/233-239,
.D23/244-248; 137/216-218

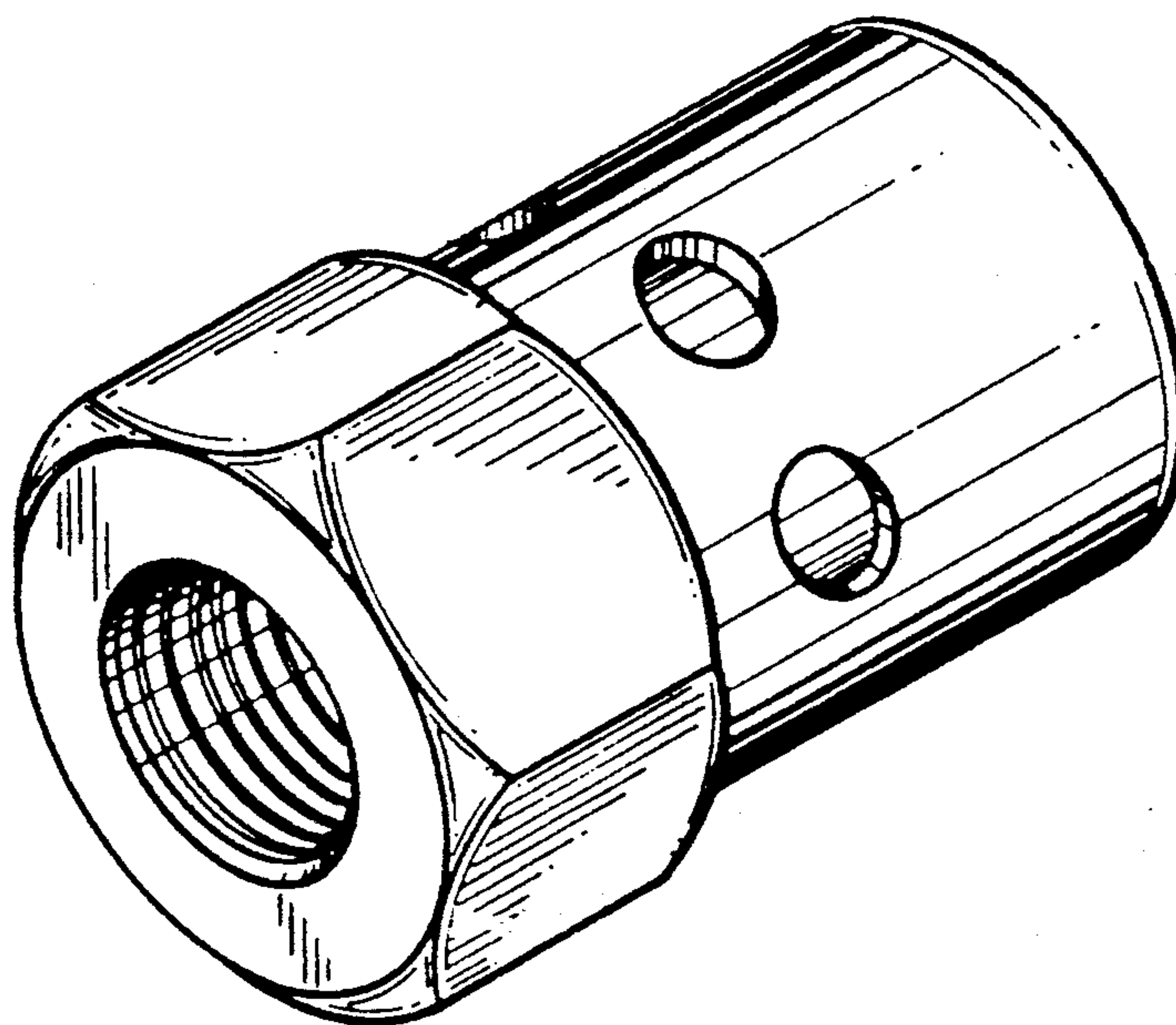
2,259,984 10/1941 Anderson 137/218
2,284,051 5/1972 Gilbert 137/217
2,288,247 6/1942 Kunstorf 137/216
2,598,002 5/1952 Langdon 137/218
2,738,798 3/1956 Goodrip 137/216
2,997,054 8/1961 Woodford 137/218
3,086,543 4/1963 McAuley 137/216
3,125,114 3/1964 Langdon 137/218
3,158,169 11/1964 Smith 137/216
3,346,001 10/1967 Camp 137/218

Primary Examiner—James R. Lergen
Attorney, Agent, or Firm—Stetina and Brunda

[56] References Cited
U.S. PATENT DOCUMENTS
D. 246,377 11/1977 Pansini D23/233
D. 262,969 2/1982 Howes D23/262
D. 263,163 2/1982 Olde D23/262
D. 269,633 7/1983 Willinger et al. D23/237
D. 277,599 2/1985 Arnold et al. D23/235 X
D. 278,740 5/1985 Bolgert D23/235
D. 294,285 2/1988 Miskiewicz D23/236
2,217,132 10/1940 O'Brien 137/217

[57] CLAIM
The ornamental design for an air gap anti-siphon valve,
as shown and described.

DESCRIPTION
FIG. 1 is a perspective view taken from front and side
of an air gap anti-siphon valve, showing my new design;
and
FIG. 2 is a perspective view taken from the rear and
side thereof.



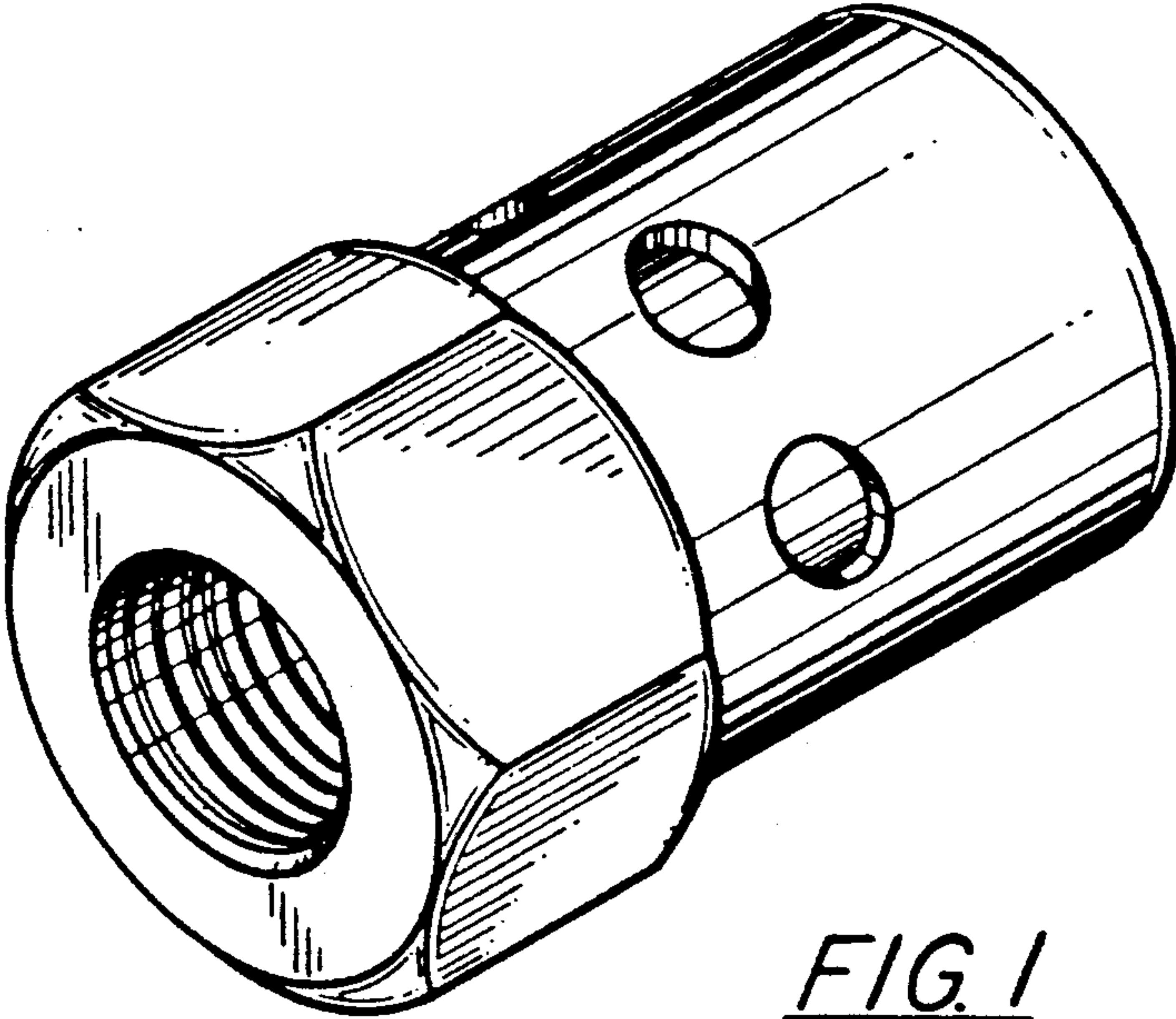


FIG. 1

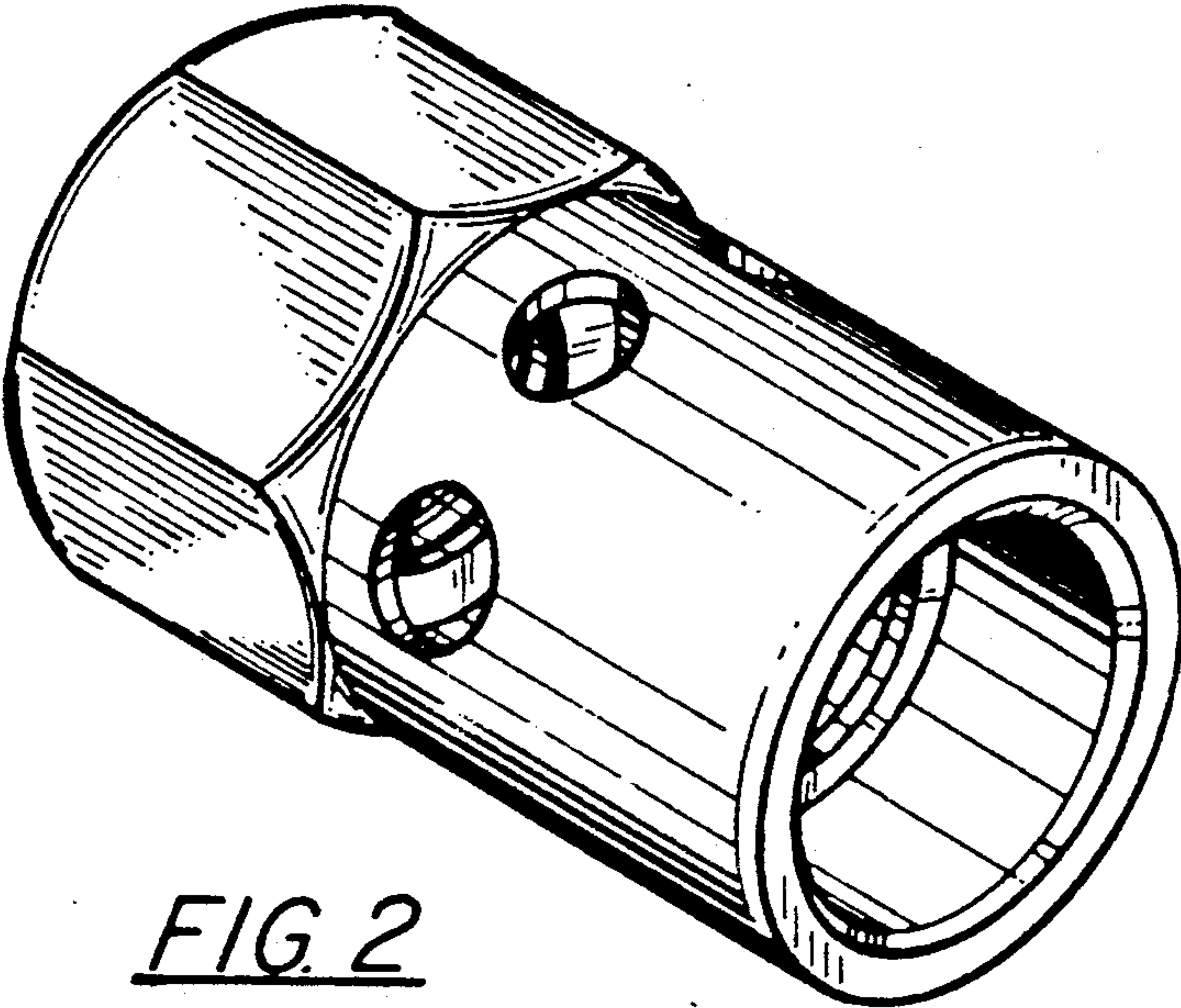


FIG. 2