

[54] PRESSURIZED PAINT CUP

[75] Inventor: Marvin D. Burns, Millbury, Ohio

[73] Assignee: Ransburg Corporation, Indianapolis, Ind.

[**] Term: 14 Years

[21] Appl. No.: 477,205

[22] Filed: Feb. 7, 1990

[52] U.S. Cl. D23/225

[58] Field of Search D23/213, 223-227;
239/301, 332, 373, 394, 525-528, 532

[56] References Cited

U.S. PATENT DOCUMENTS

D. 209,873	1/1968	Smith	D23/226 X
D. 211,172	5/1968	Johnson	D23/225
D. 270,367	8/1983	Grime	D23/225
2,577,465	12/1951	Jones et al.	D23/225 X
3,074,650	1/1963	Kanarek	239/526
3,880,356	4/1975	Chandler	239/526 X

OTHER PUBLICATIONS

Catalog sheet showing type KB Pressure Feed Paint Cup sold by The DeVilbiss Company.

Primary Examiner—Susan J. Lucas

Assistant Examiner—M. H. Tung

Attorney, Agent, or Firm—MacMillan, Sobanski & Todd

[57] CLAIM

The ornamental design for a pressurized paint cup, as shown and described.

DESCRIPTION

FIG. 1 is a front elevational view of a pressurized paint cup showing my new design;

FIG. 2 is a right side elevational view thereof;

FIG. 3 is a rear elevational view thereof;

FIG. 4 is a left side elevational view thereof;

FIG. 5 is a top plan view thereof;

FIG. 6 is a bottom plan view thereof;

FIG. 7 is a front elevational view of a second embodiment thereof;

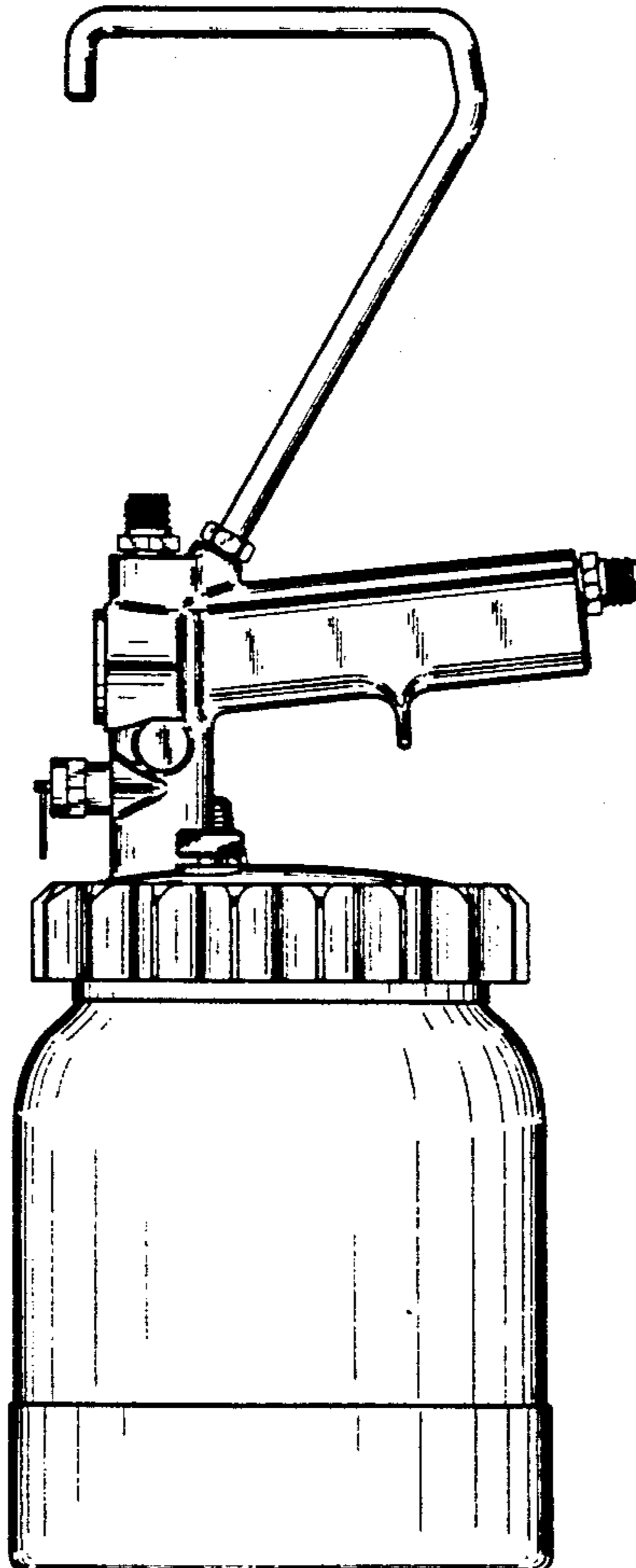
FIG. 8 is a right side elevational view thereof;

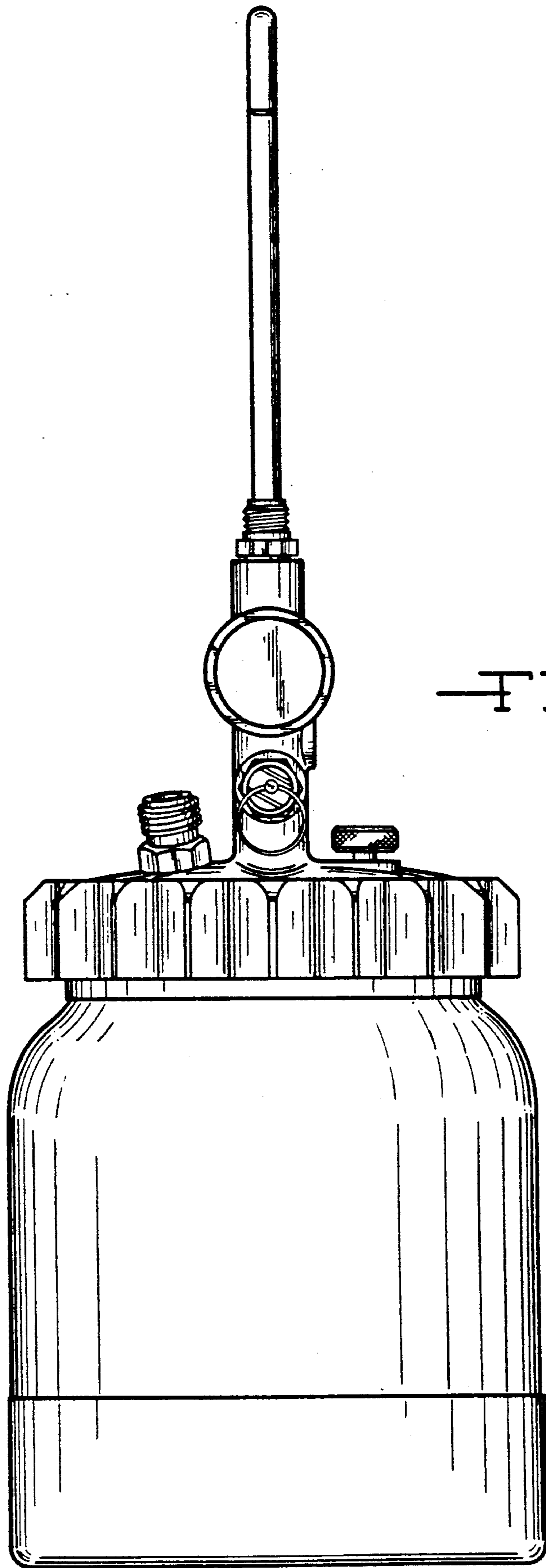
FIG. 9 is a rear elevational view thereof;

FIG. 10 is a left side elevational view thereof;

FIG. 11 is a top plan view thereof; and

FIG. 12 is a bottom plan view thereof.





—FIG. 1

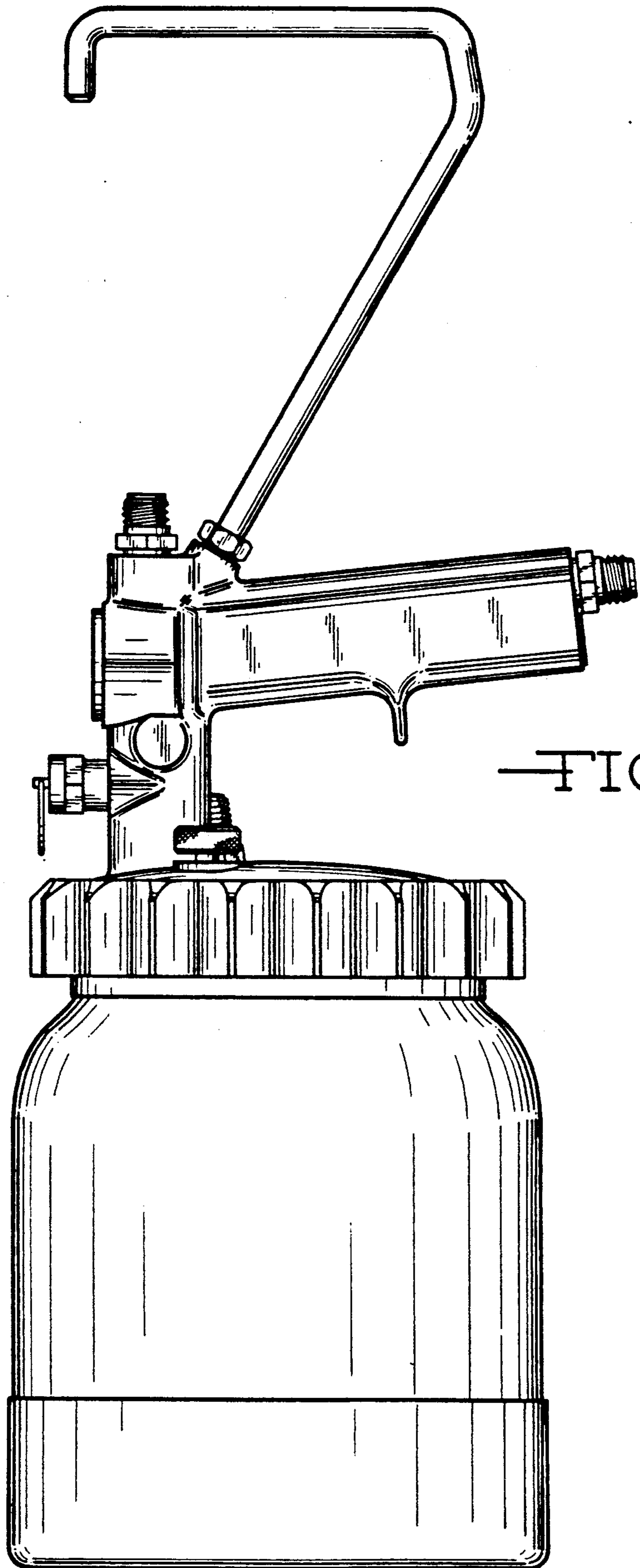
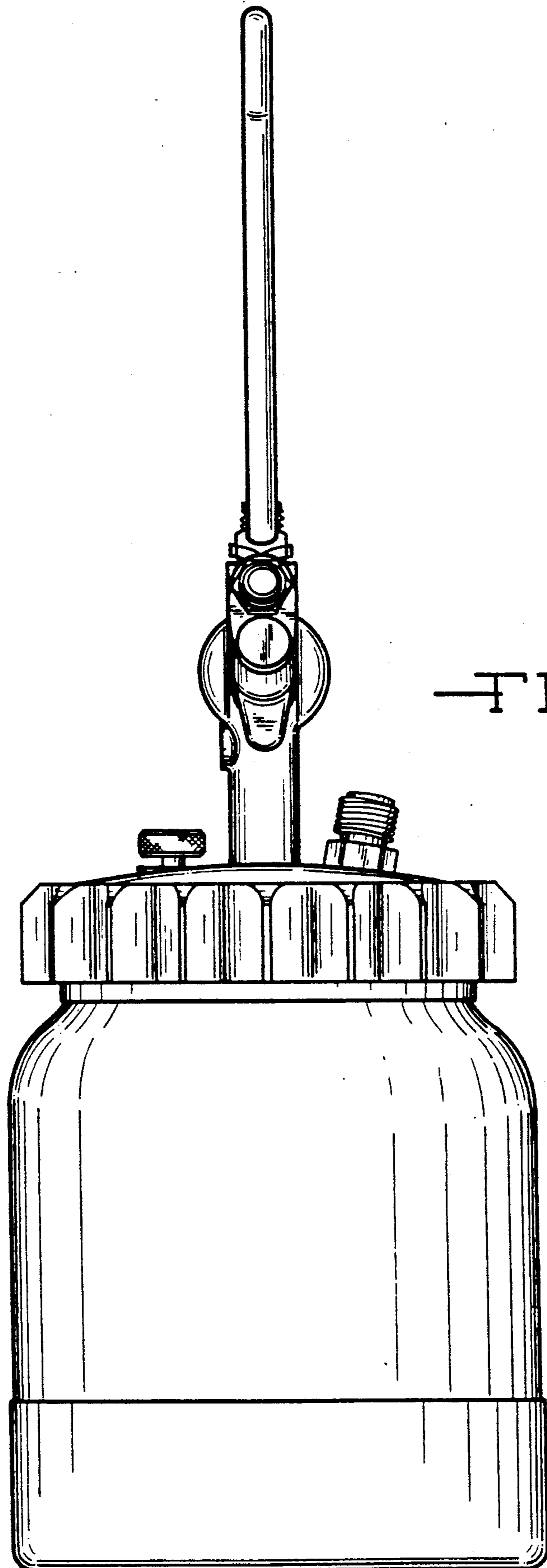


FIG. 2



—FIG. 3

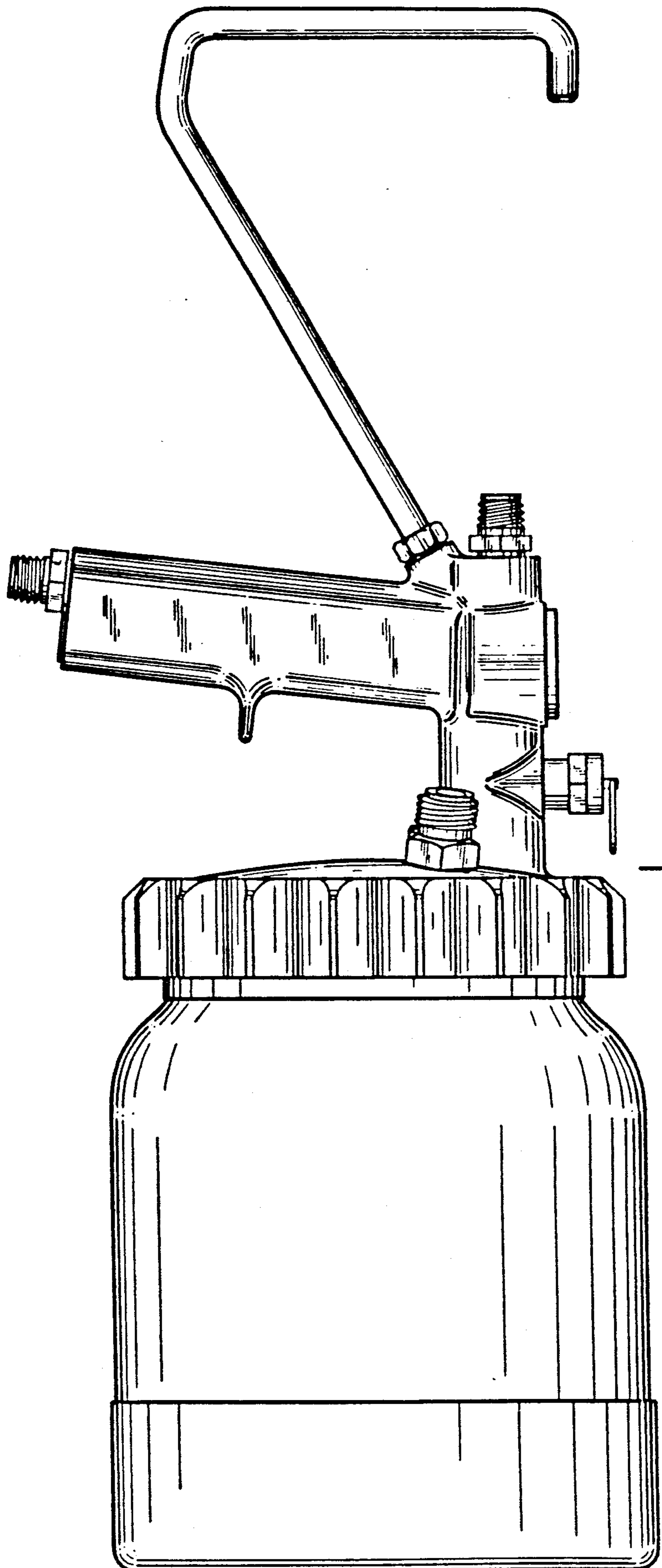
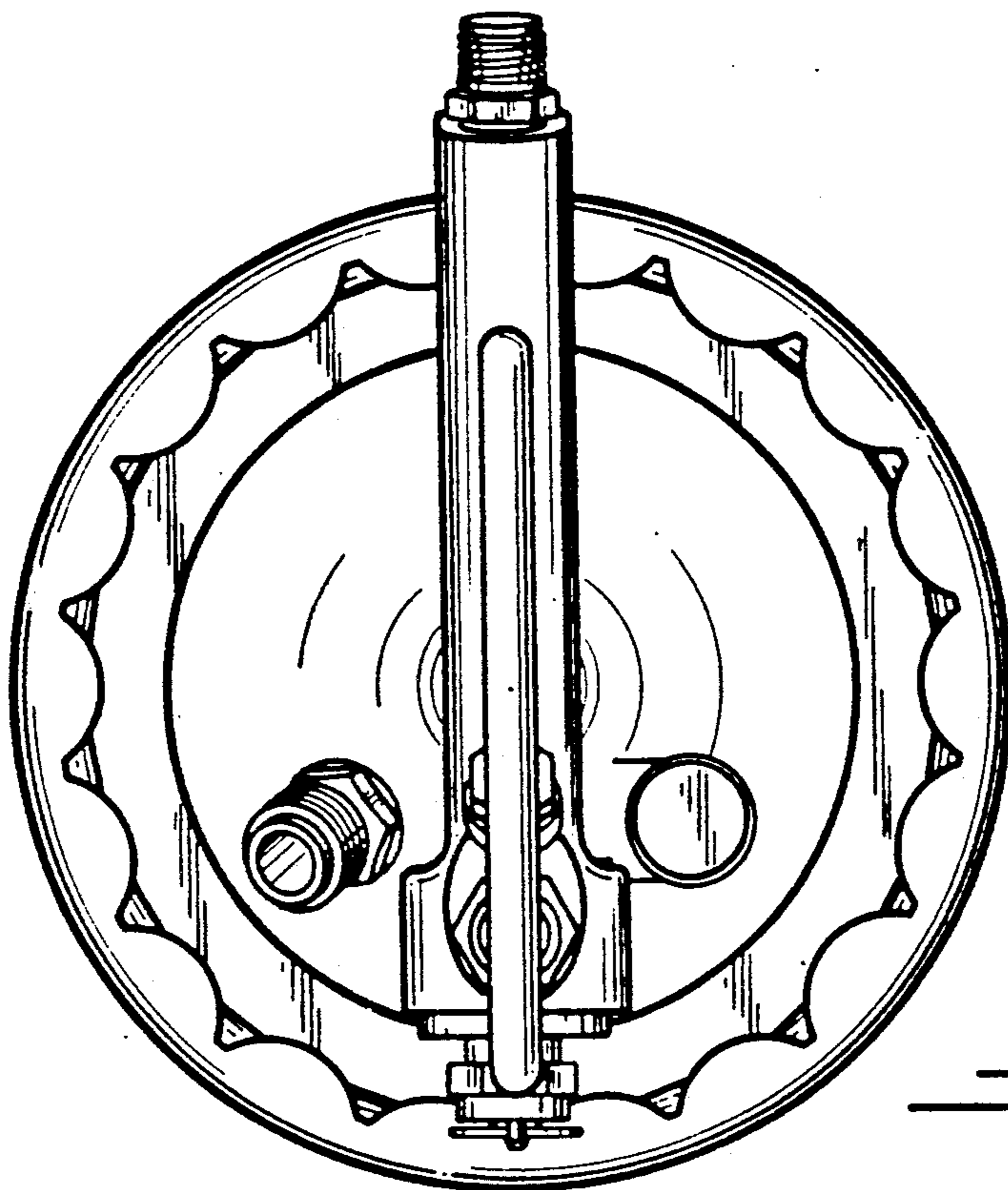
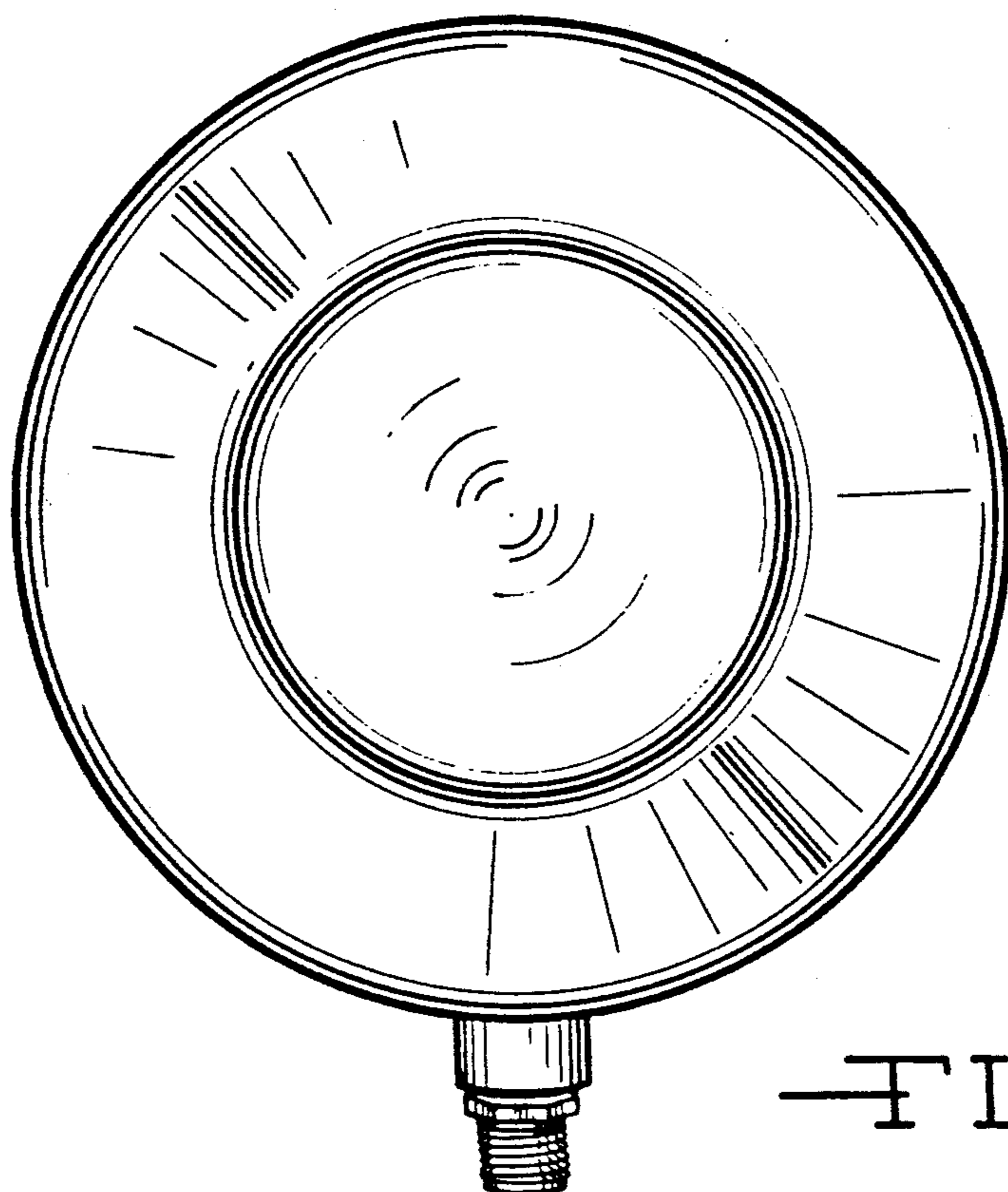


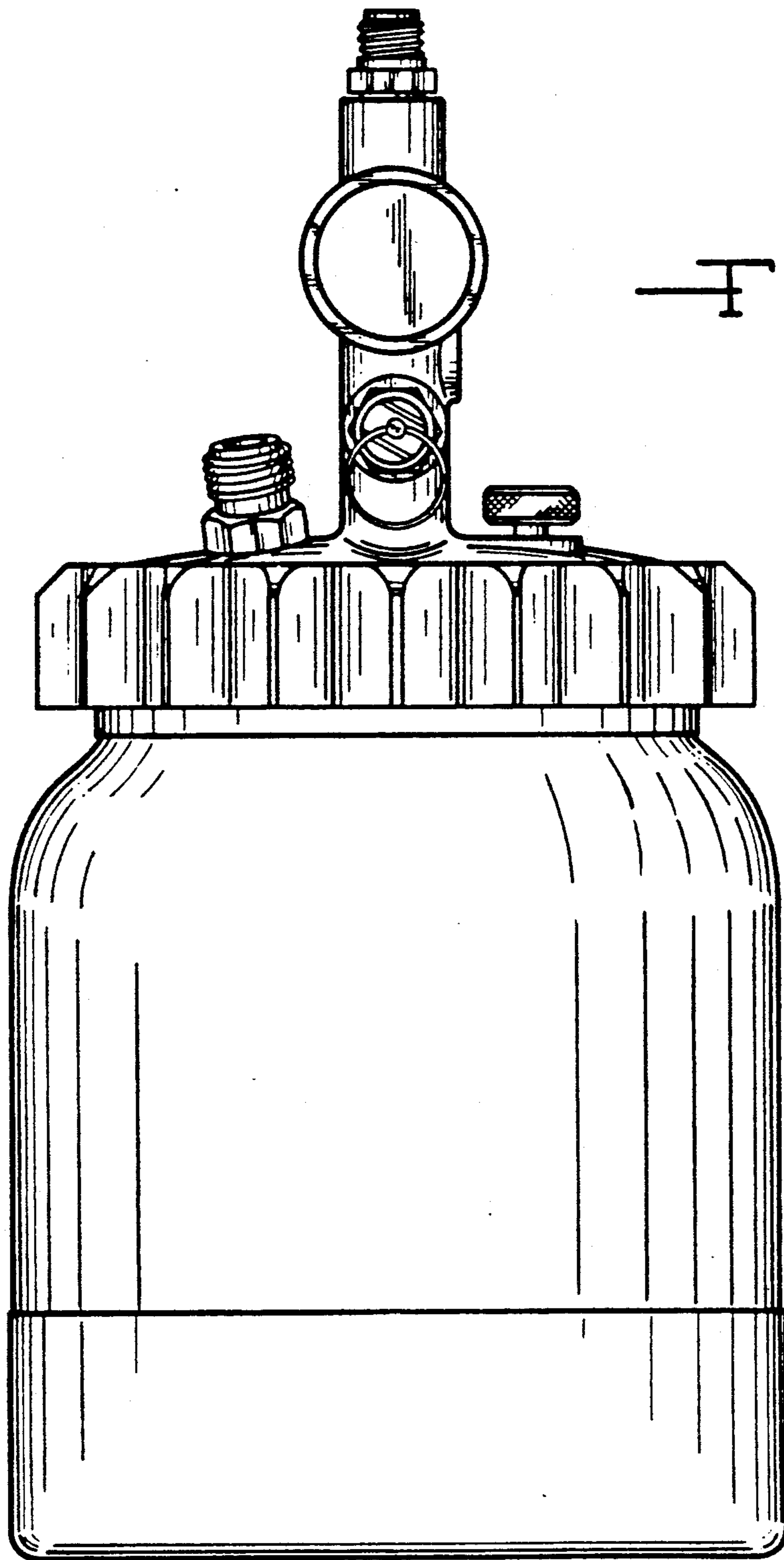
FIG. 4



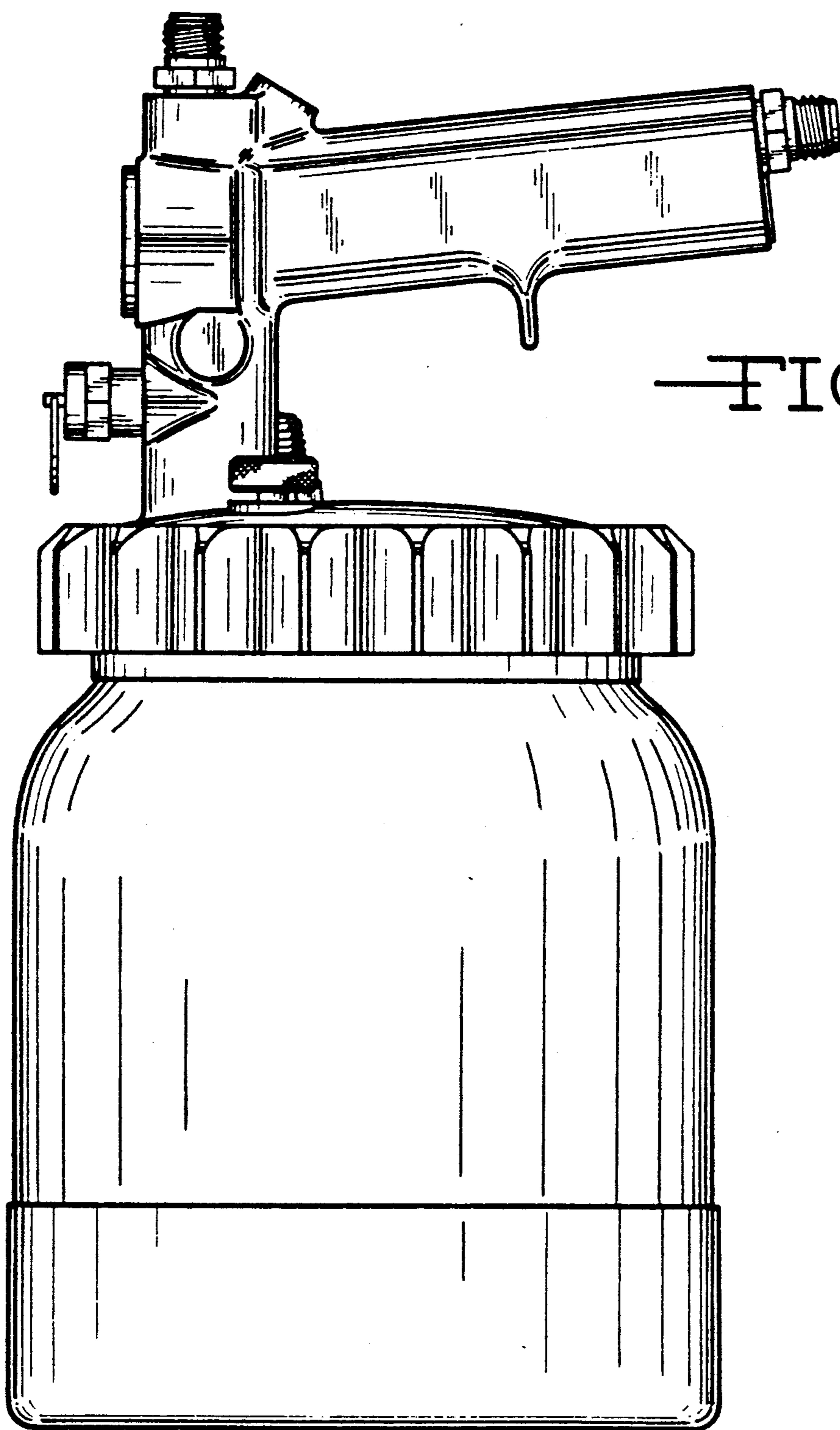
—FIG. 5



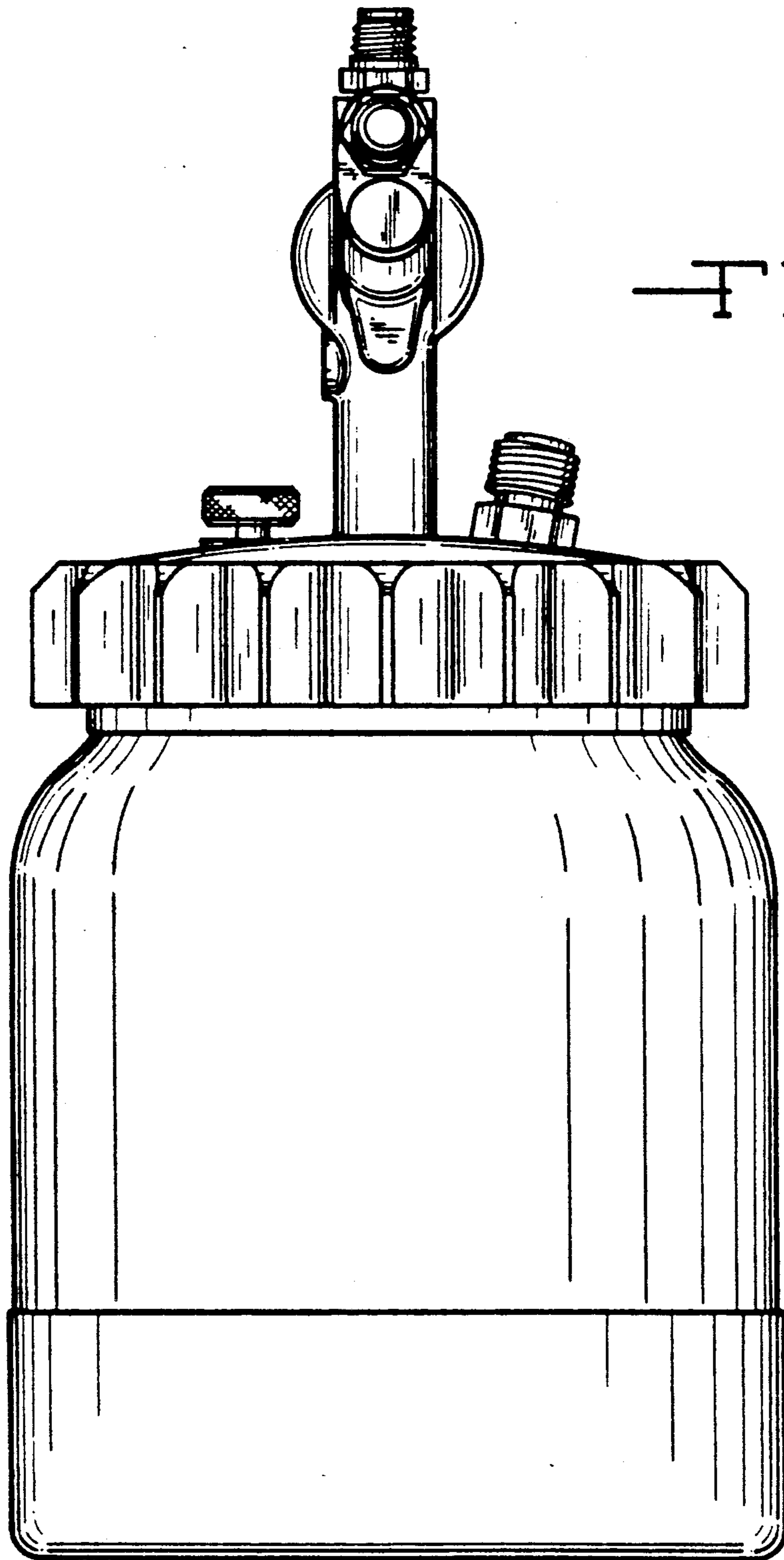
—FIG. 6



—FIG. 7



—FIG.8



—FIG. 9

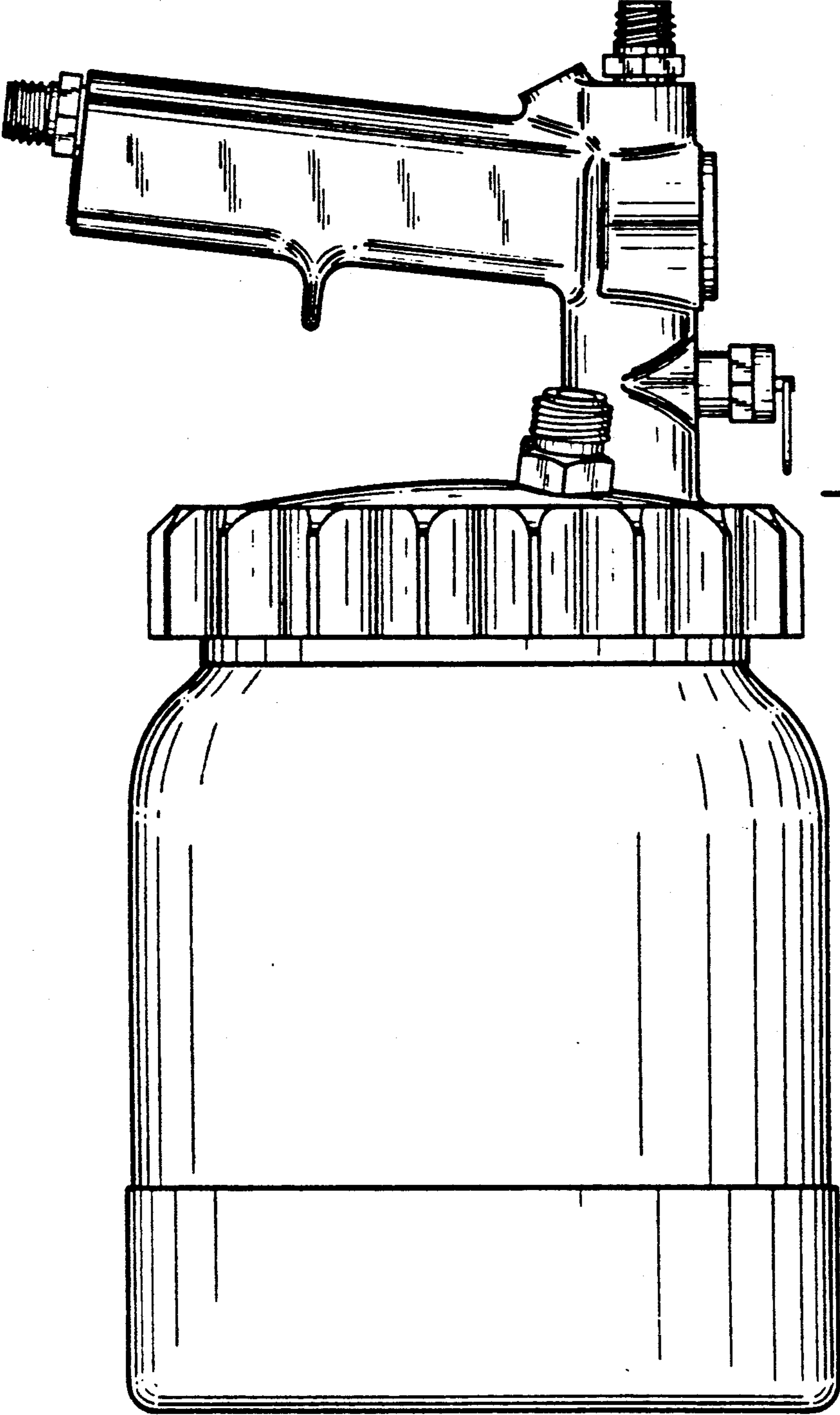
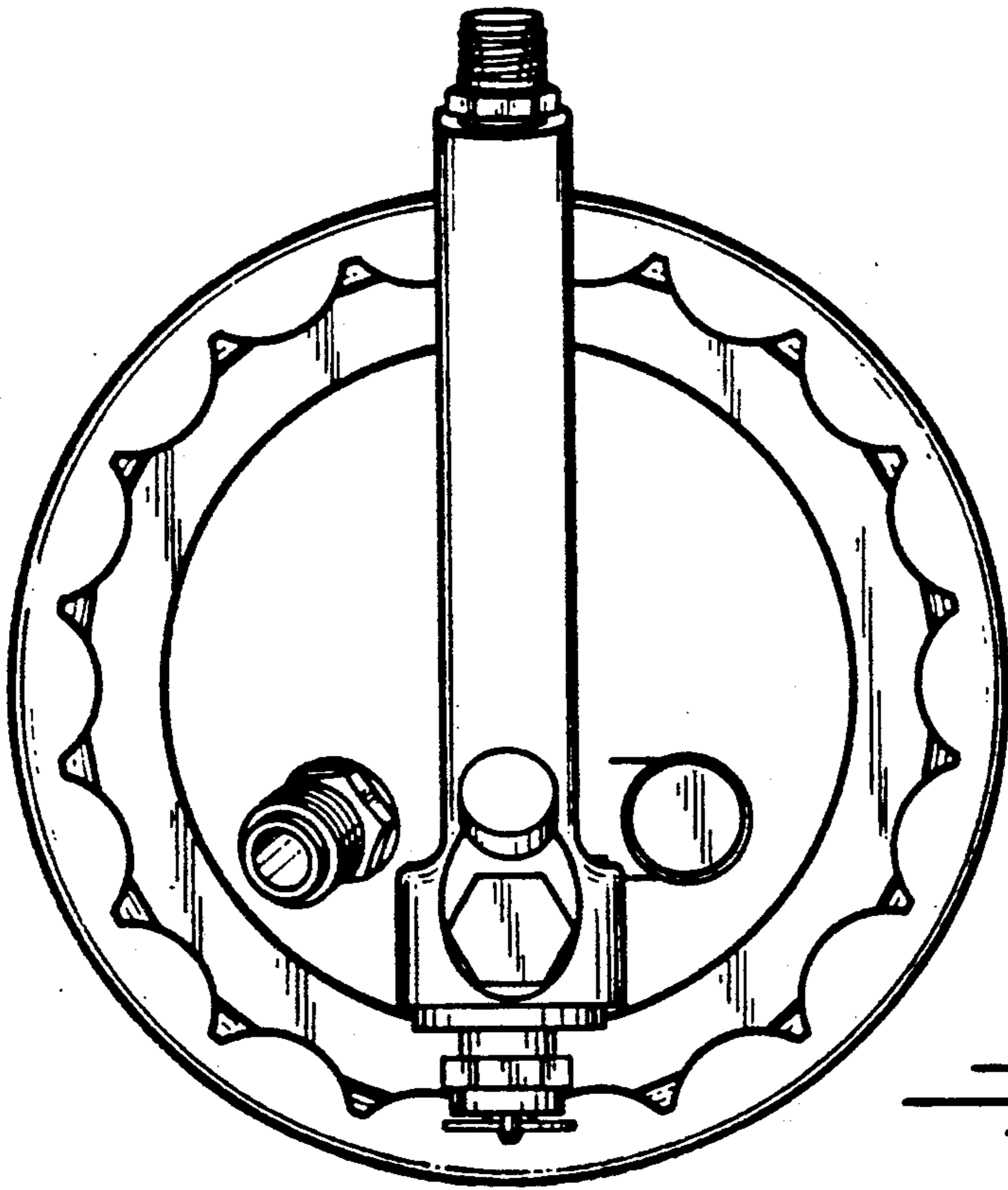
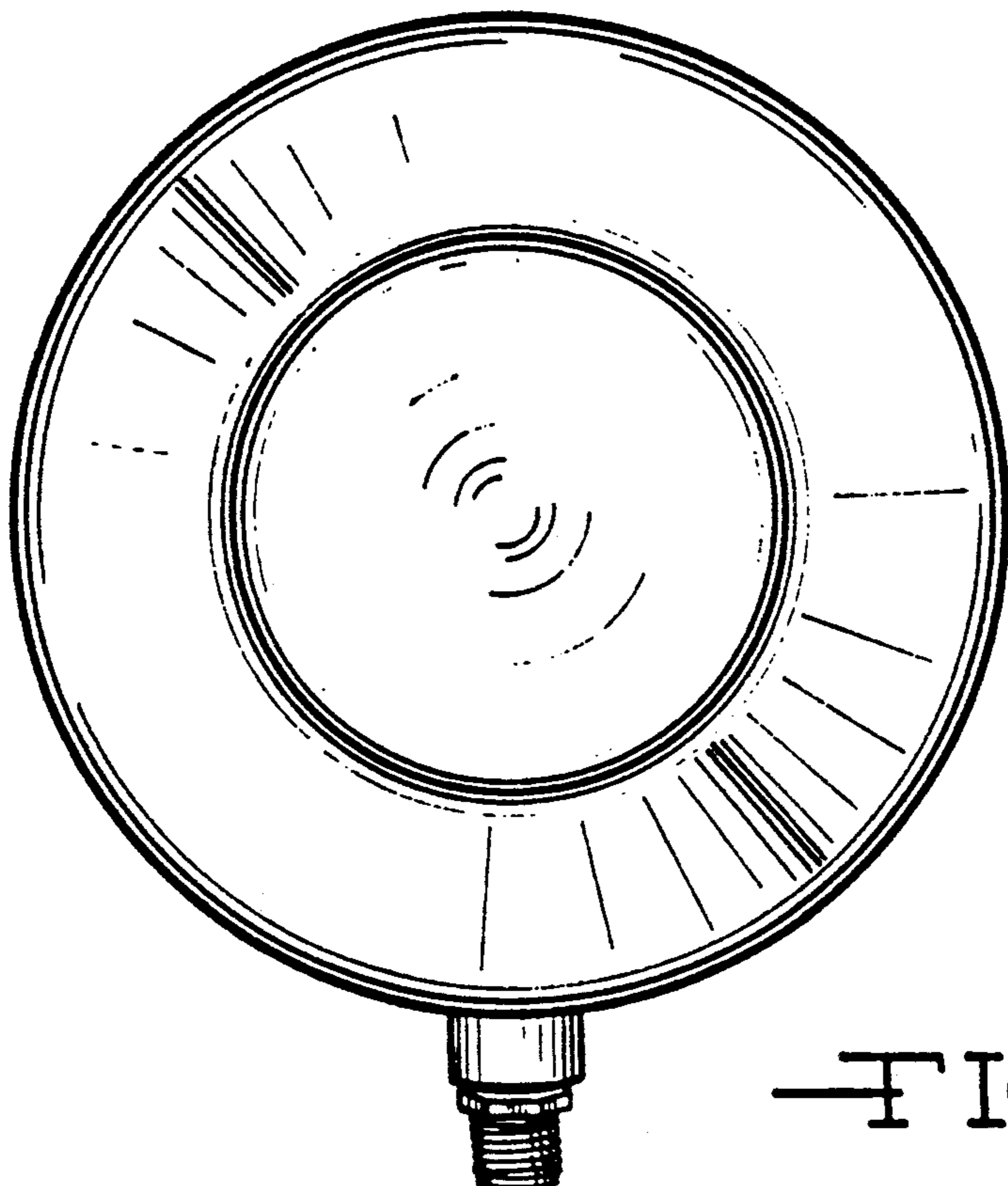


FIG. 10



—FIG. 11



—FIG. 12