

[54] **COMBINED SPRINKLER SUPPORT AND HOSE COUPLER**
 [76] Inventor: **Haggie I. Cockman, P.O. Box 1725, Sanford, Fla. 32772-1725**
 [**] Term: **14 Years**
 [21] Appl. No.: **210,764**
 [22] Filed: **Jun. 23, 1988**
 [52] U.S. Cl. **D23/221; D23/263**
 [58] Field of Search **D23/214, 217, 221, 254, D23/261-265; 285/150, 156; 4/615, 647; 239/279**

2,731,296 1/1956 Griffith 239/279
 2,971,532 2/1961 McLaren et al. 285/150 X
 3,416,818 12/1968 Conlin 285/156
 3,706,414 12/1972 Dupre 239/279
 3,720,375 3/1973 Kumaoka 239/279
 4,720,878 1/1988 Viner 4/647

Primary Examiner—James R. Largent
 Attorney, Agent, or Firm—William M. Hobby, III

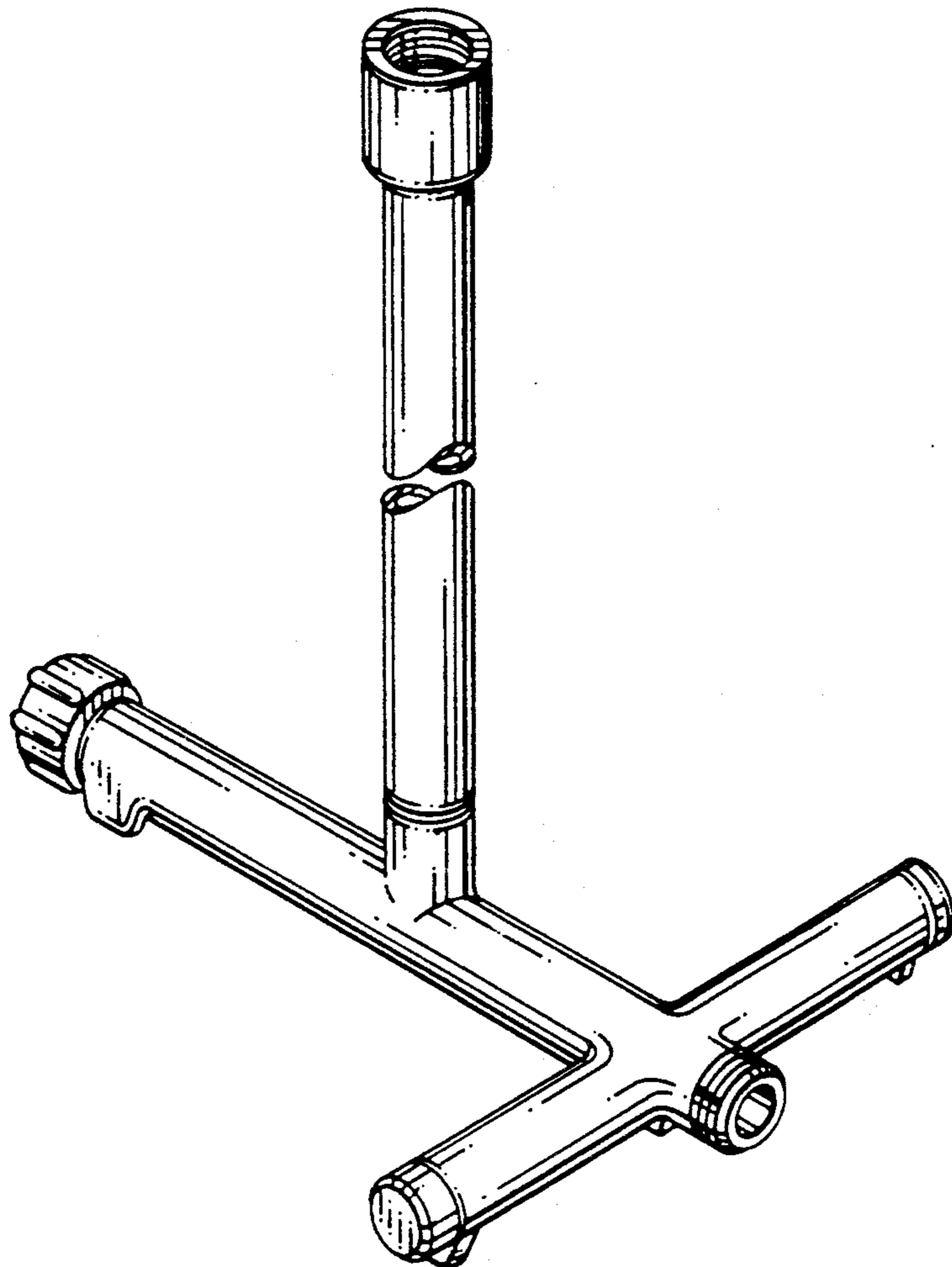
[57] **CLAIM**

The ornamental design for a combined sprinkler support and hose coupler design, as shown and described.

DESCRIPTION

FIG. 1 is a perspective view taken from the top, front and left side of a combined sprinkler support and hose coupler showing my new design;
 FIG. 2 is a top plan view thereof;
 FIG. 3 is a bottom plan view thereof;
 FIG. 4 is a left side elevational view thereof, the right side being a mirror image of the side shown;
 FIG. 5 is a rear elevational view thereof; and
 FIG. 6 is a front elevational view thereof.
 It is to be understood that the sprinkler support is shown broken away in FIGS. 1 and 4 through 6 to indicate indeterminate length.

[56] **References Cited**
U.S. PATENT DOCUMENTS
 D. 30,031 1/1899 Galbraith D23/263
 D. 30,487 4/1899 Hanrahan D23/263
 D. 236,724 9/1975 Scheffler D23/263
 D. 240,131 6/1976 Dwyer D23/263
 D. 302,458 7/1989 Locklair D23/214
 1,054,438 2/1913 Mitchell 285/150
 1,188,863 6/1916 Murphy 285/156
 1,365,025 1/1921 Elder 285/150
 1,461,482 7/1923 Hahn 285/156
 1,823,028 9/1931 Caldwell D23/263 X



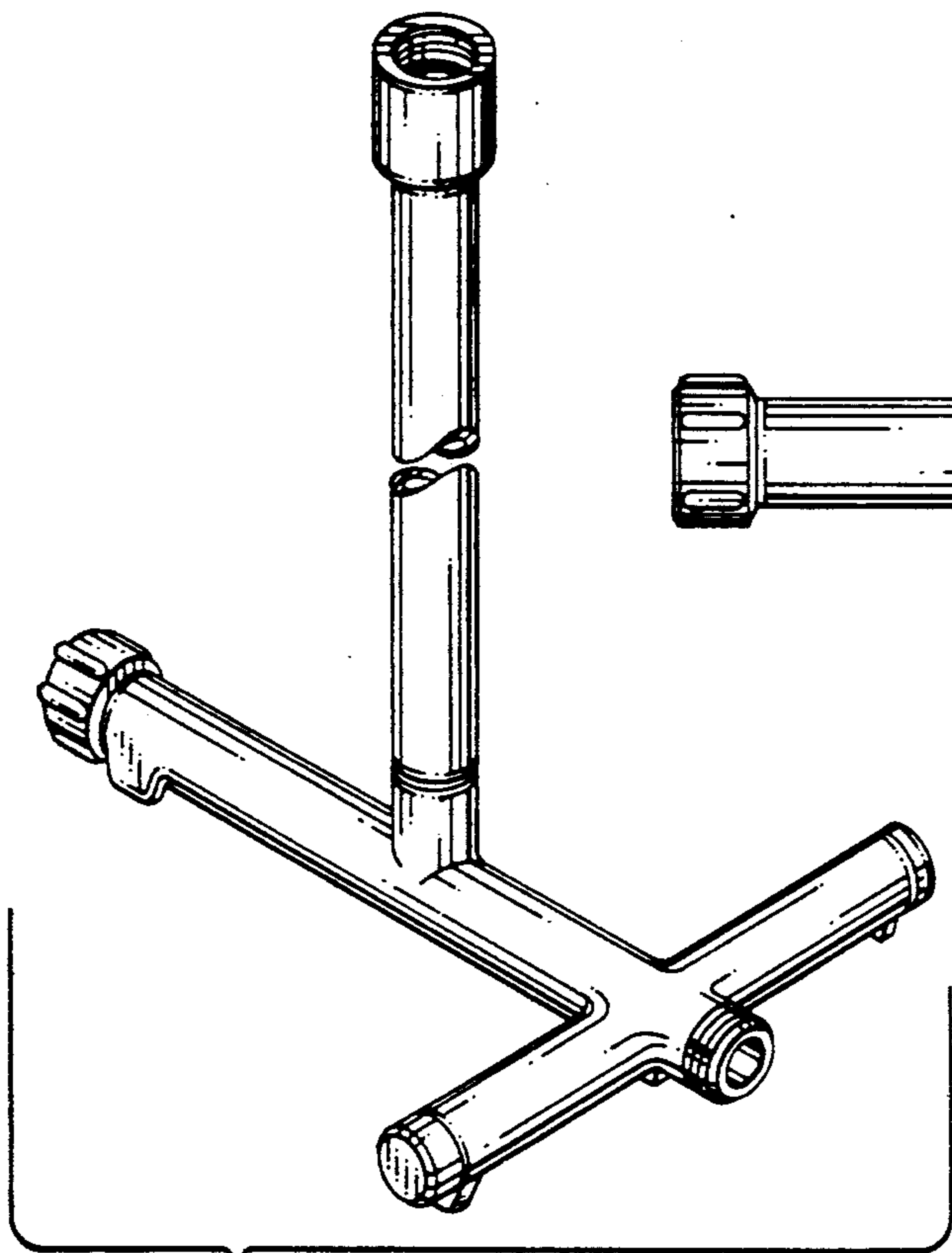


FIG. 1

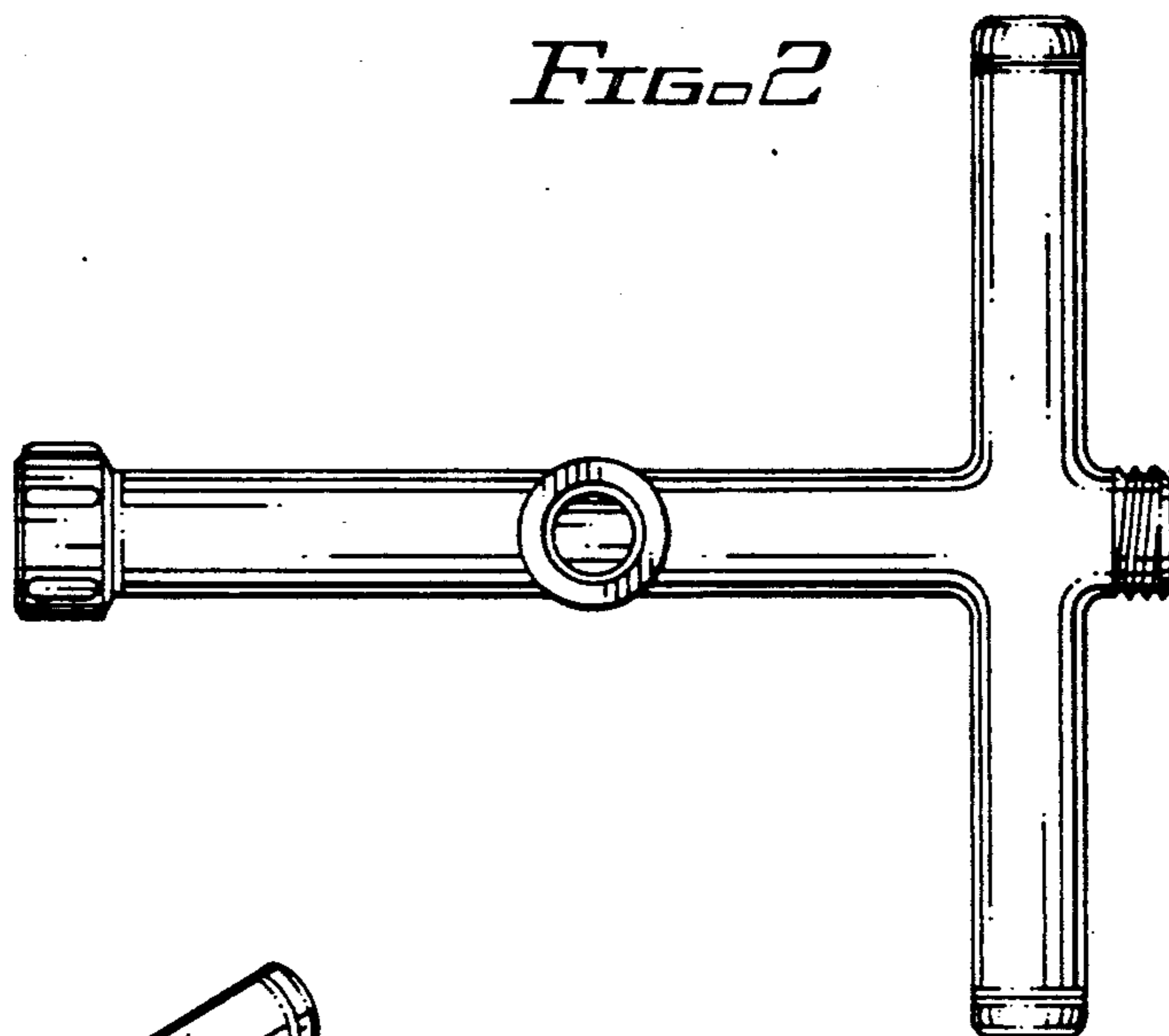


FIG. 2

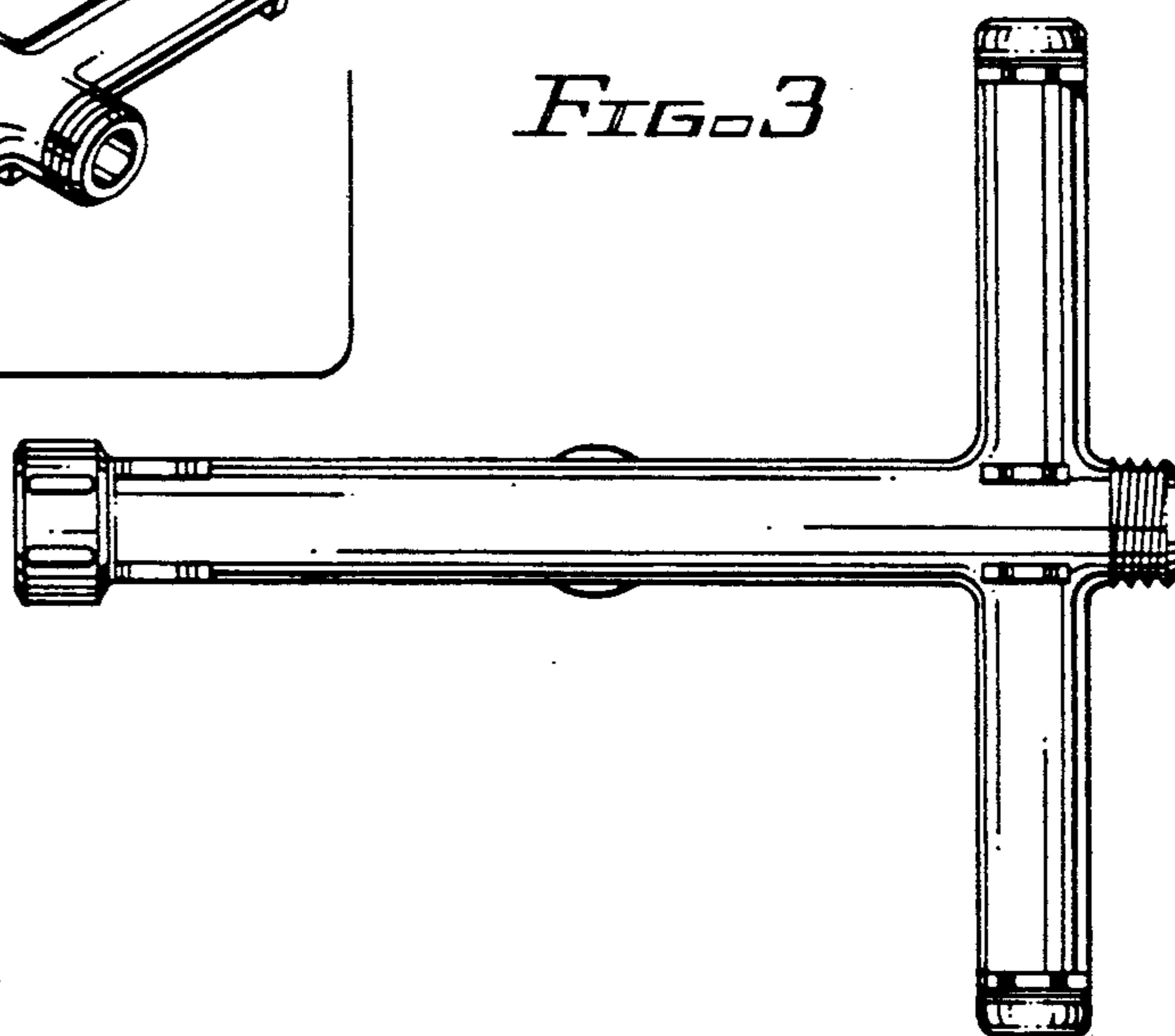


FIG. 3

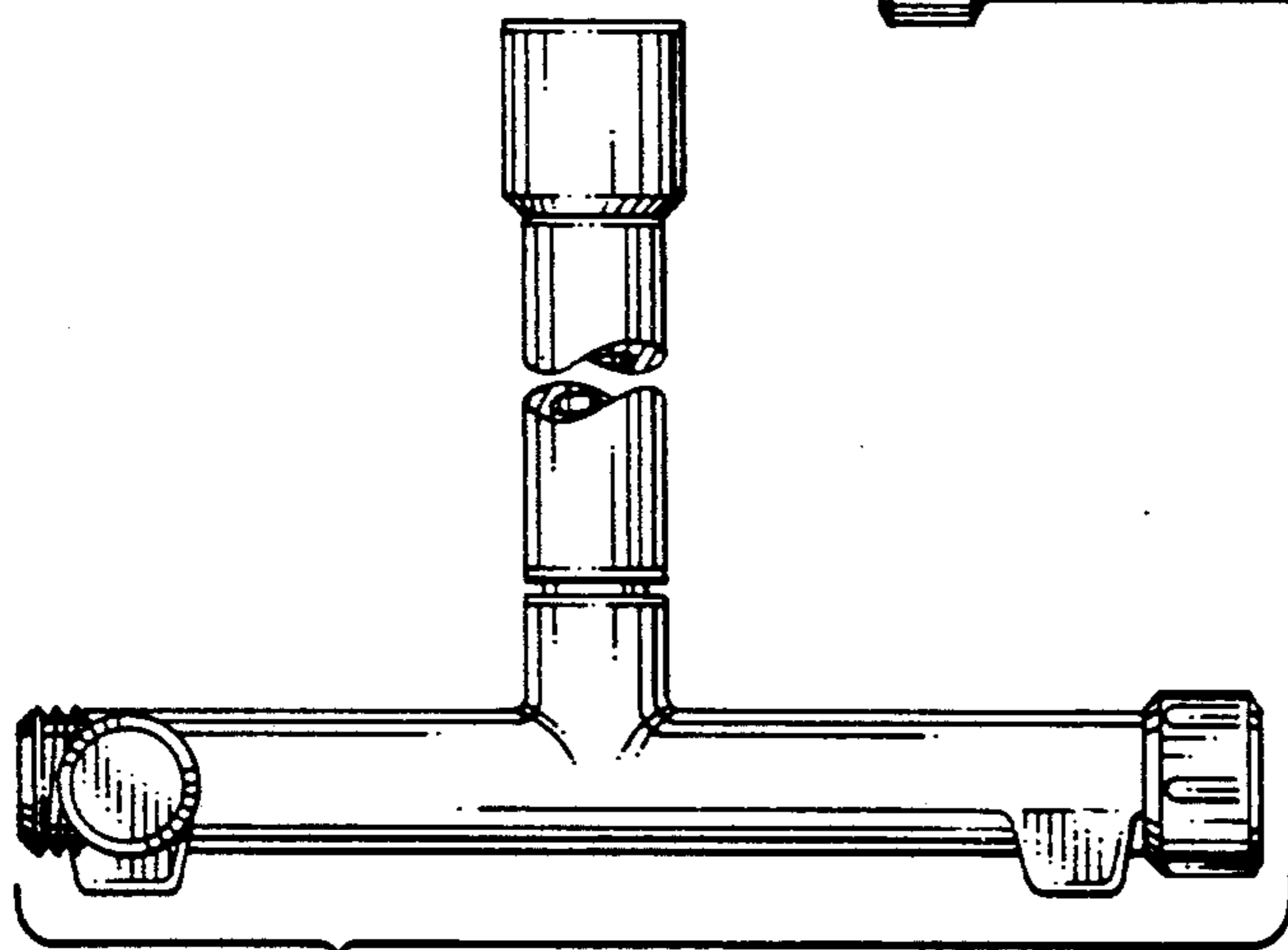


FIG. 4

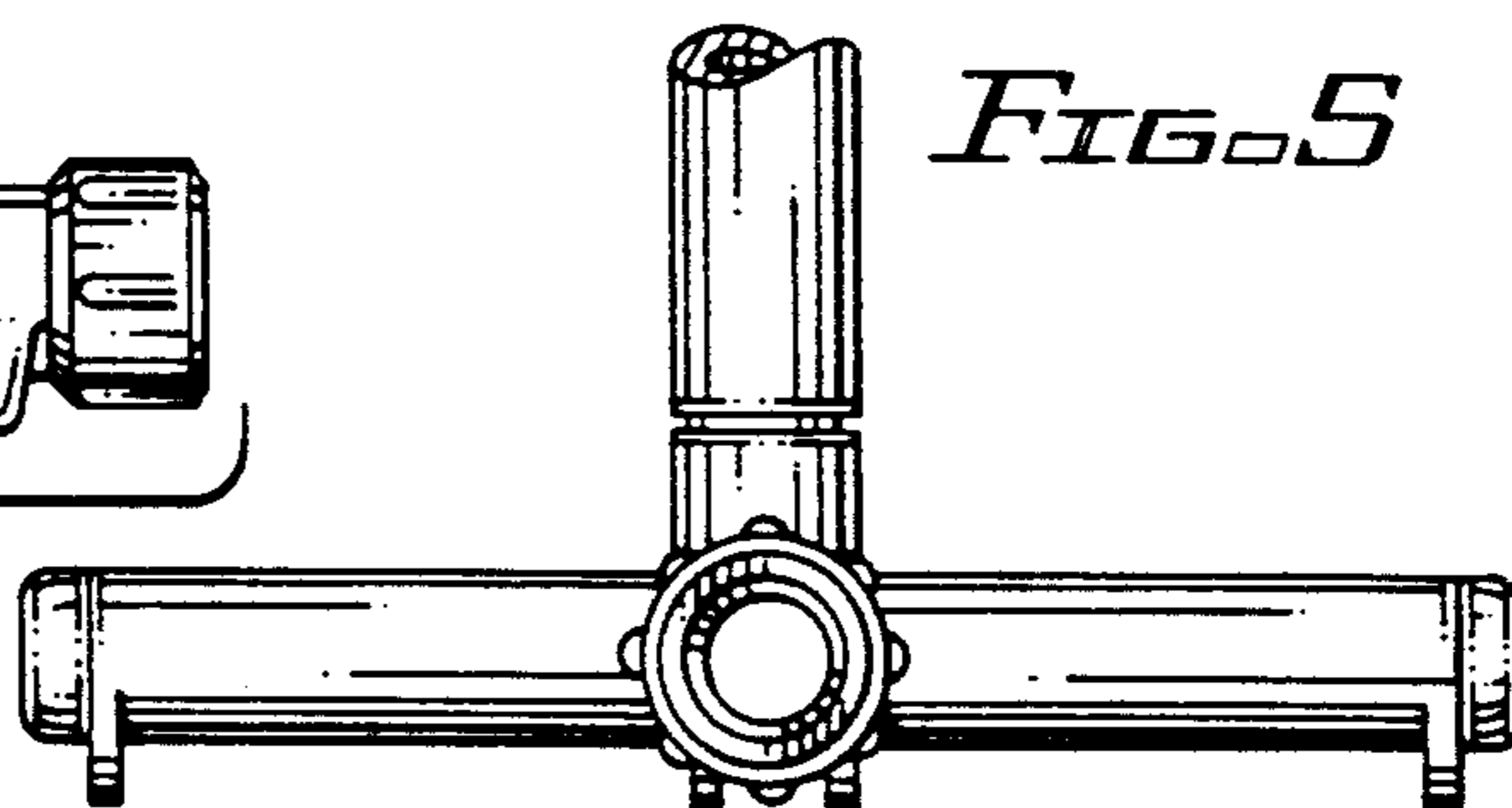


FIG. 5

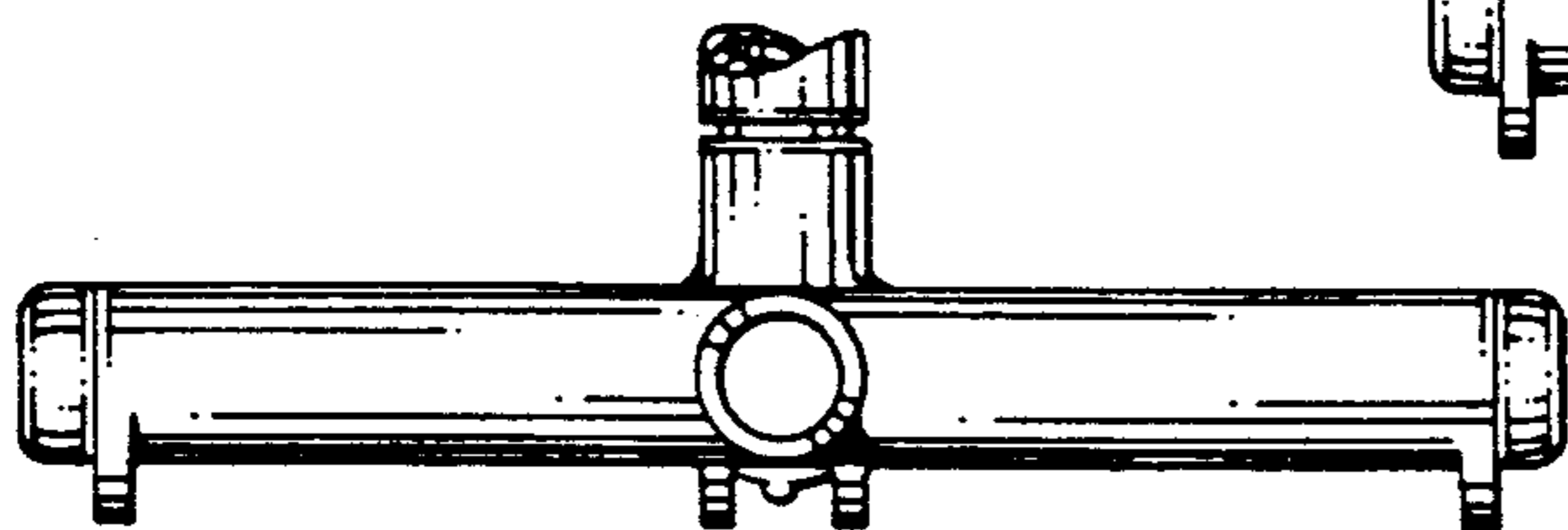


FIG. 6