

[54] WATER FILTER

[75] Inventor: Spencer Murrell, Delaware City, Ohio

[73] Assignee: Wilton Industries, Inc., Woodridge, Ill.

[**] Term: 14 Years

[21] Appl. No.: 538,510

[22] Filed: Jun. 15, 1990

[52] U.S. Cl. D23/209

[58] Field of Search D23/200, 207-210; 210/136, 205-206, 231, 241, 244-245, 257.1-257.2, 258, 260-261, 269, 275, 282, 288-290, 295, 321.6, 321.78, 416.3, 443-449

[56] References Cited

U.S. PATENT DOCUMENTS

D. 262,484 12/1981 Ward D23/209

D. 305,934 2/1990 Sone D23/209 X
3,822,018 7/1974 Krongos 210/449 X
3,929,648 12/1975 Cuthbert 210/445
4,404,006 9/1983 Williams et al. 210/445 X
4,863,591 9/1989 Dione 210/282 X

Primary Examiner—Susan J. Lucas
Assistant Examiner—M. H. Tung
Attorney, Agent, or Firm—James P. Ryther

[57] CLAIM

The ornamental design for water filter, as shown and described.

DESCRIPTION

FIG. 1 is a top perspective view of a water filter showing my new design;
FIG. 2 is a side elevational view thereof, all sides being identical;
FIG. 3 is a bottom plan view thereof;
FIG. 4 is a top plan view thereof.

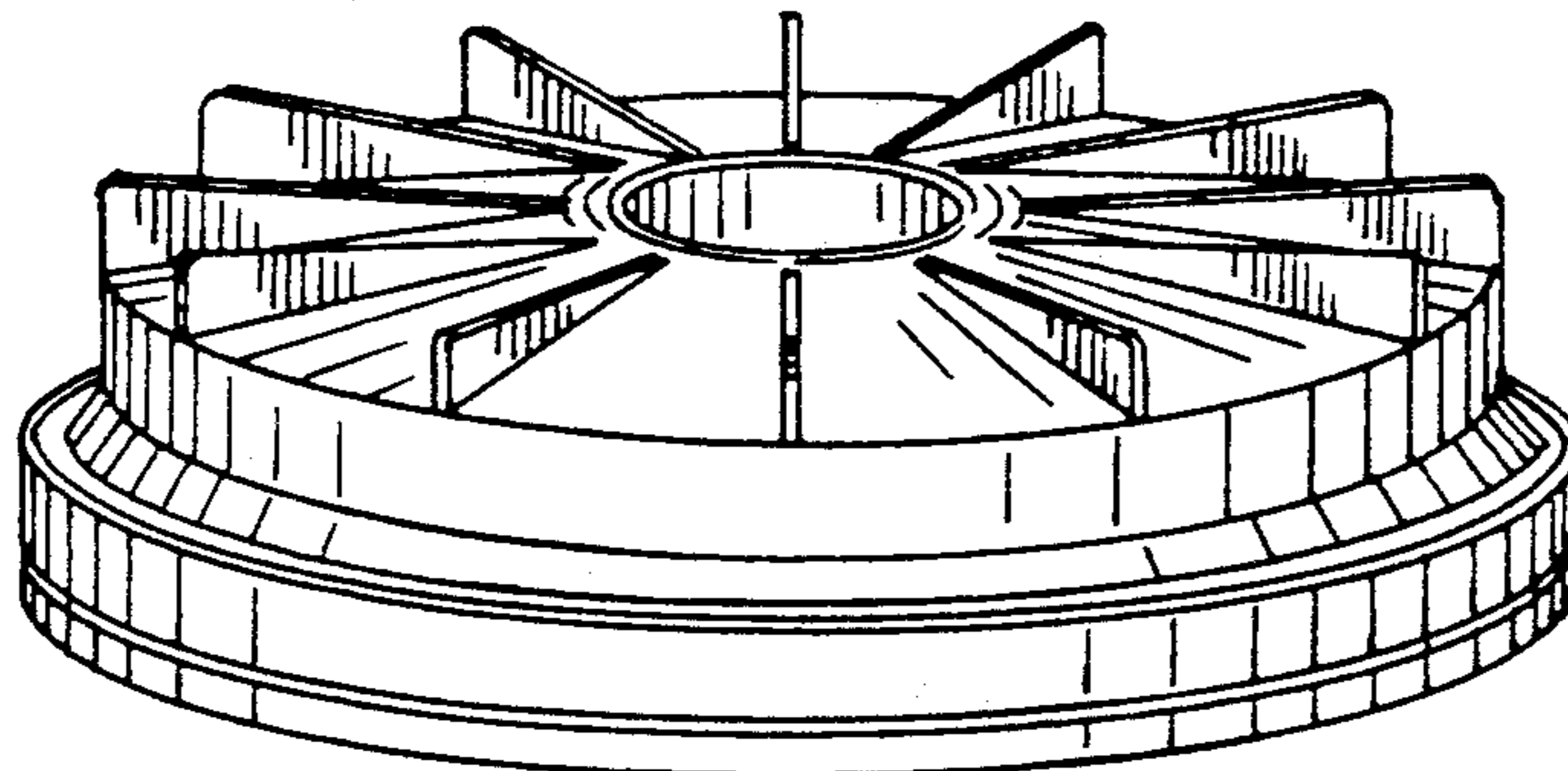


FIG. 1-

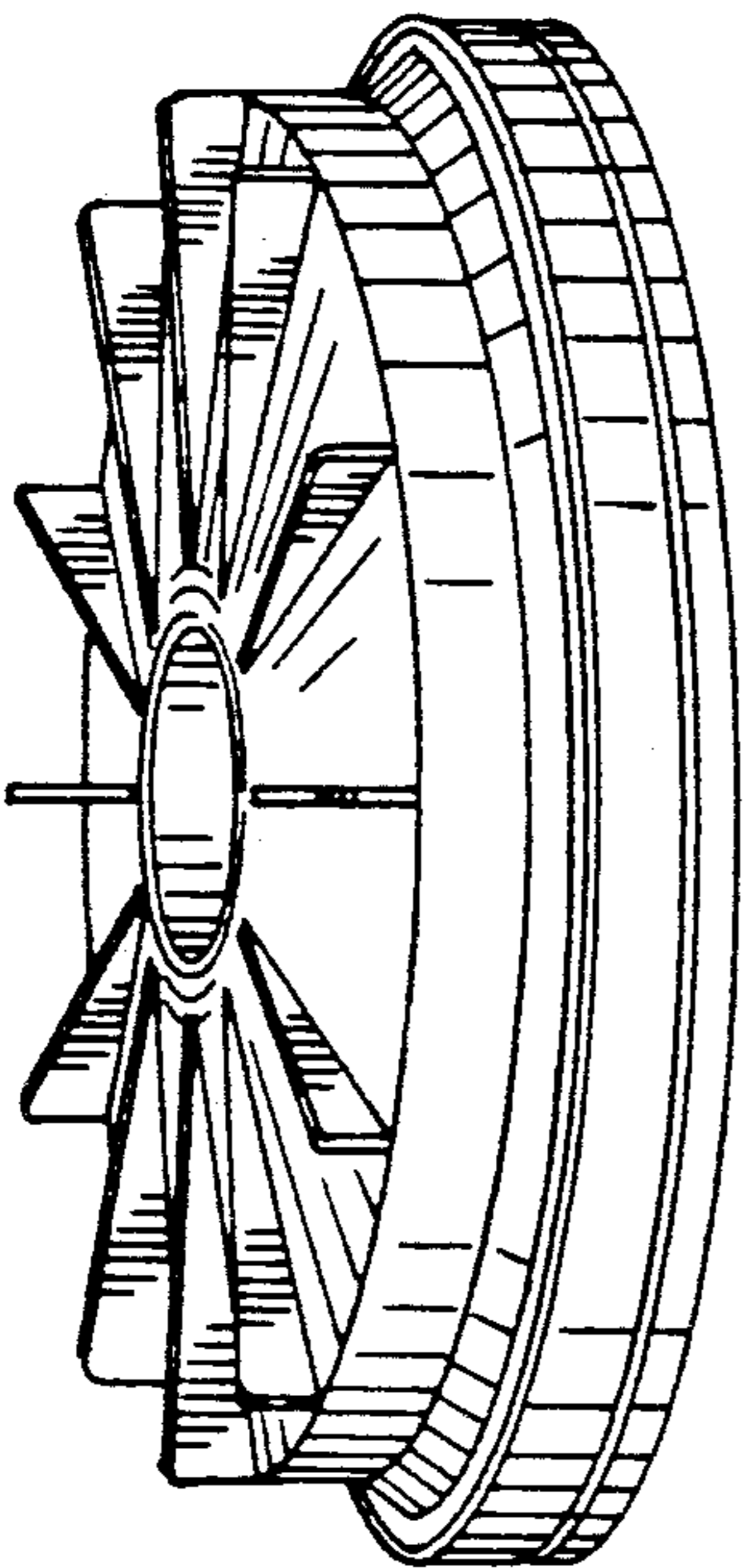


FIG. 2-

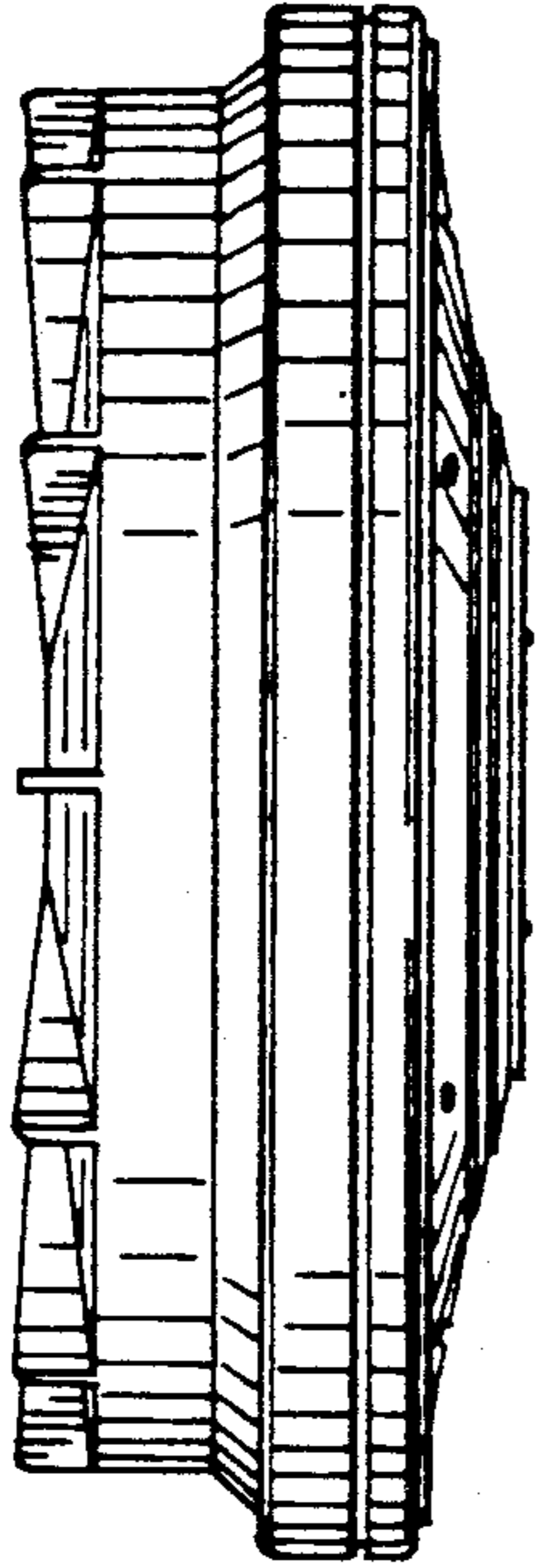


FIG. 3-

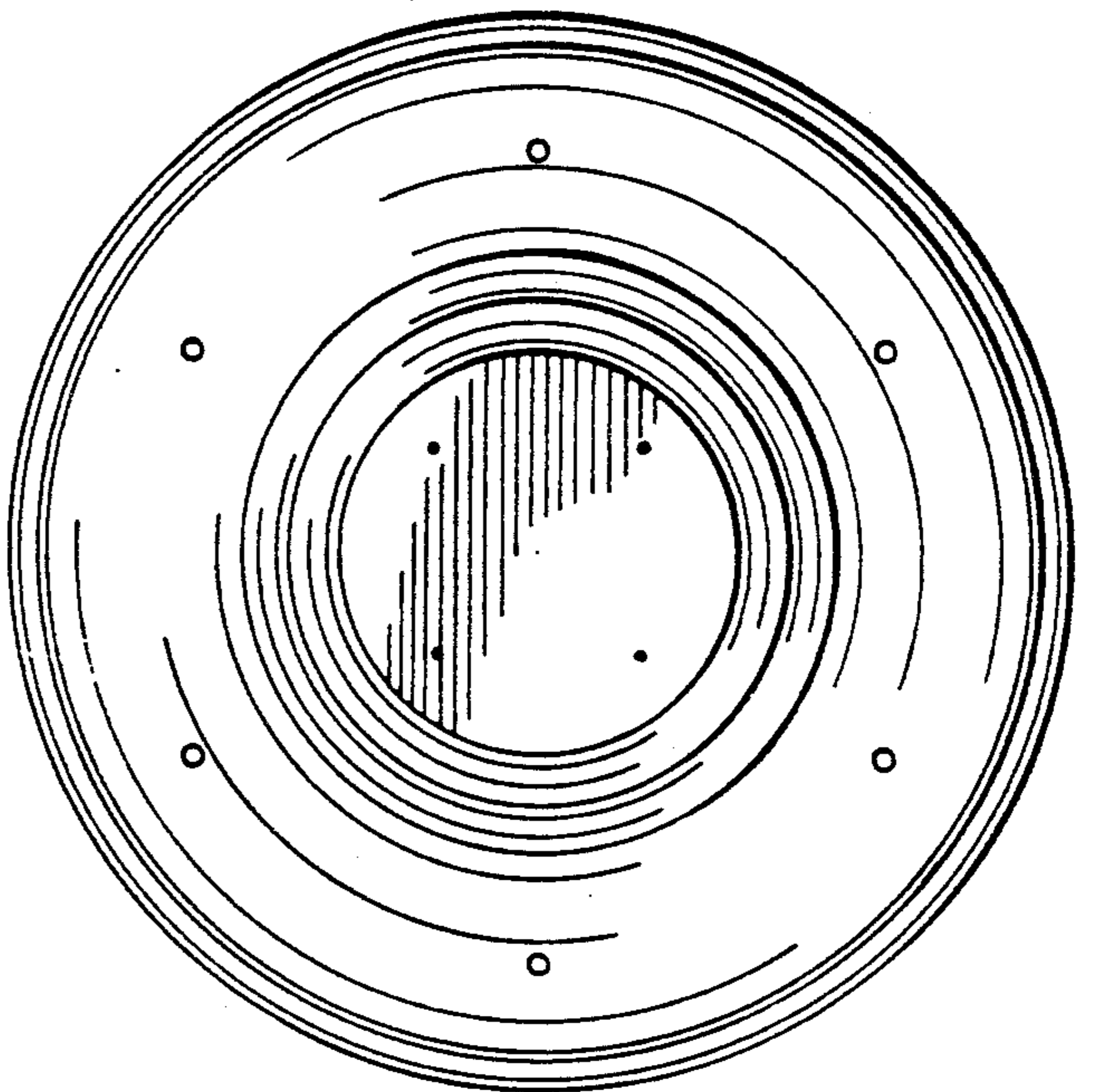


FIG. 4-

