

United States Patent [19]

Logue et al.

[11] Patent Number: **Des. 321,743**

[45] Date of Patent: **** Nov. 19, 1991**

[54] **HOOD FOR VENT MOUNTING ON WINDOW SILL OR FRAME**

2,347,895 5/1944 Evans 98/37
4,700,614 10/1987 Dudzik 98/98

[75] Inventors: **Alan V. Logue; William Divers**, both of Dunmurry, Ireland

[73] Assignee: **Brook Design Products Limited**, Dunmurry, Northern Ireland

[**] Term: **14 Years**

[21] Appl. No.: **365,562**

[22] Filed: **Jun. 14, 1989**

[30] **Foreign Application Priority Data**

Dec. 14, 1988 [GB] United Kingdom 1055688

[52] U.S. Cl. **D23/388**

[58] Field of Search D23/371, 370, 393, 387, D23/388, 391, 392, 390; 98/37, 99.8, 99.6, 118, 98, 99.01; 52/302, 303

[56] **References Cited**

U.S. PATENT DOCUMENTS

126,373 5/1872 Bibb 98/37
1,123,859 1/1915 Dennis 98/98
1,470,392 10/1923 Schreier 98/98

FOREIGN PATENT DOCUMENTS

1414962 11/1975 United Kingdom 98/99.6
1422970 1/1976 United Kingdom 98/99.01

Primary Examiner—James M. Gandy
Assistant Examiner—Lisa Lichtenstein
Attorney, Agent, or Firm—Sixbey, Friedman, Leedom & Ferguson

[57] **CLAIM**

The ornamental design for a hood for vent for mounting on window sill or frame, as shown and described.

DESCRIPTION

FIG. 1 is a front, top, and end perspective view of a hood for vent for mounting on window sill or frame, showing our new design;

FIG. 2 is a front elevation view thereof;

FIG. 3 is a rear elevation view thereof; and

FIG. 4 is a cross-sectional view thereof, taken on the line 4—4 in FIG. 2.

The hood for vent for mounting on window sill or frame has been broken away in the middle in FIGS. 1-3, to indicate indeterminate length.

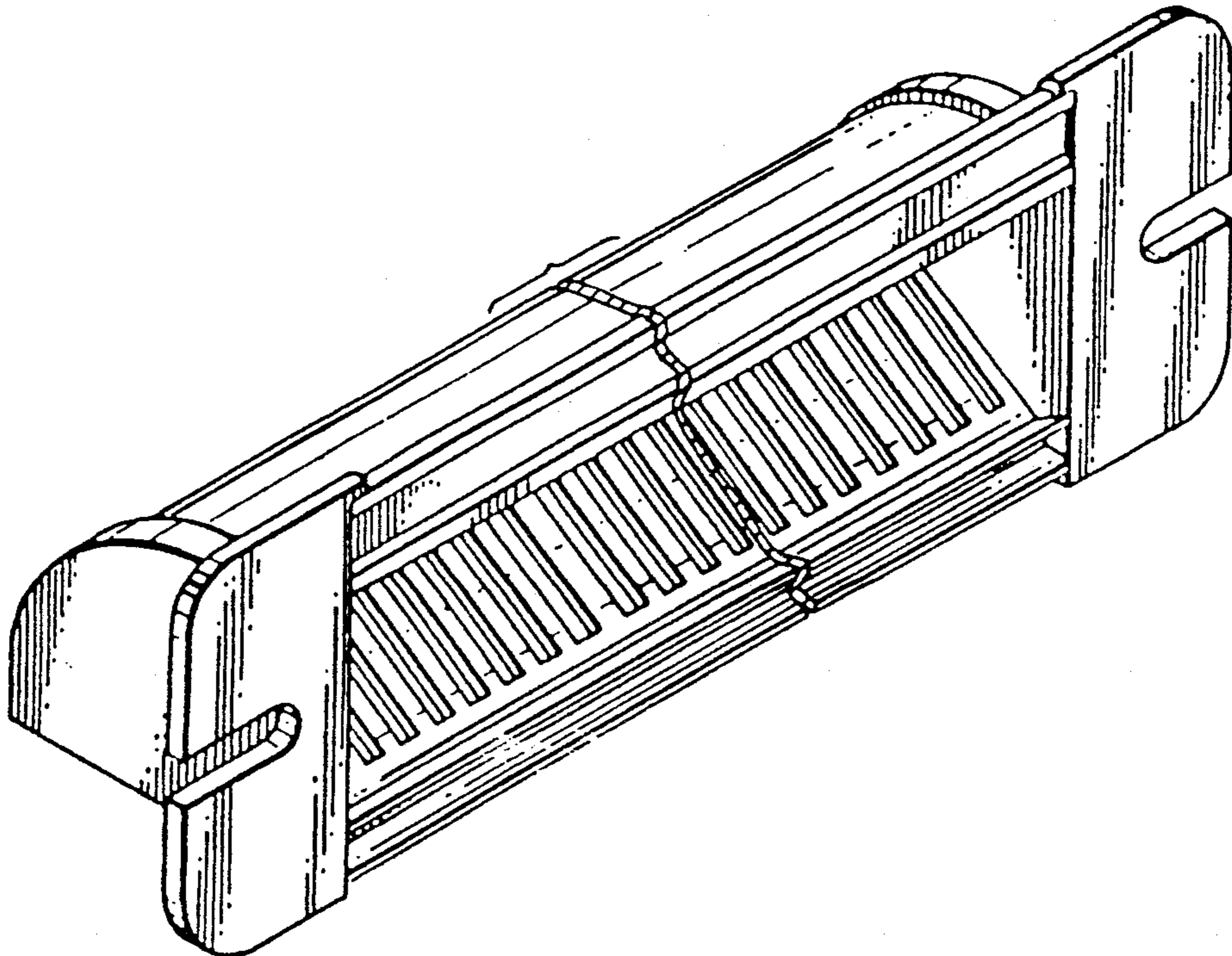


FIG. 1

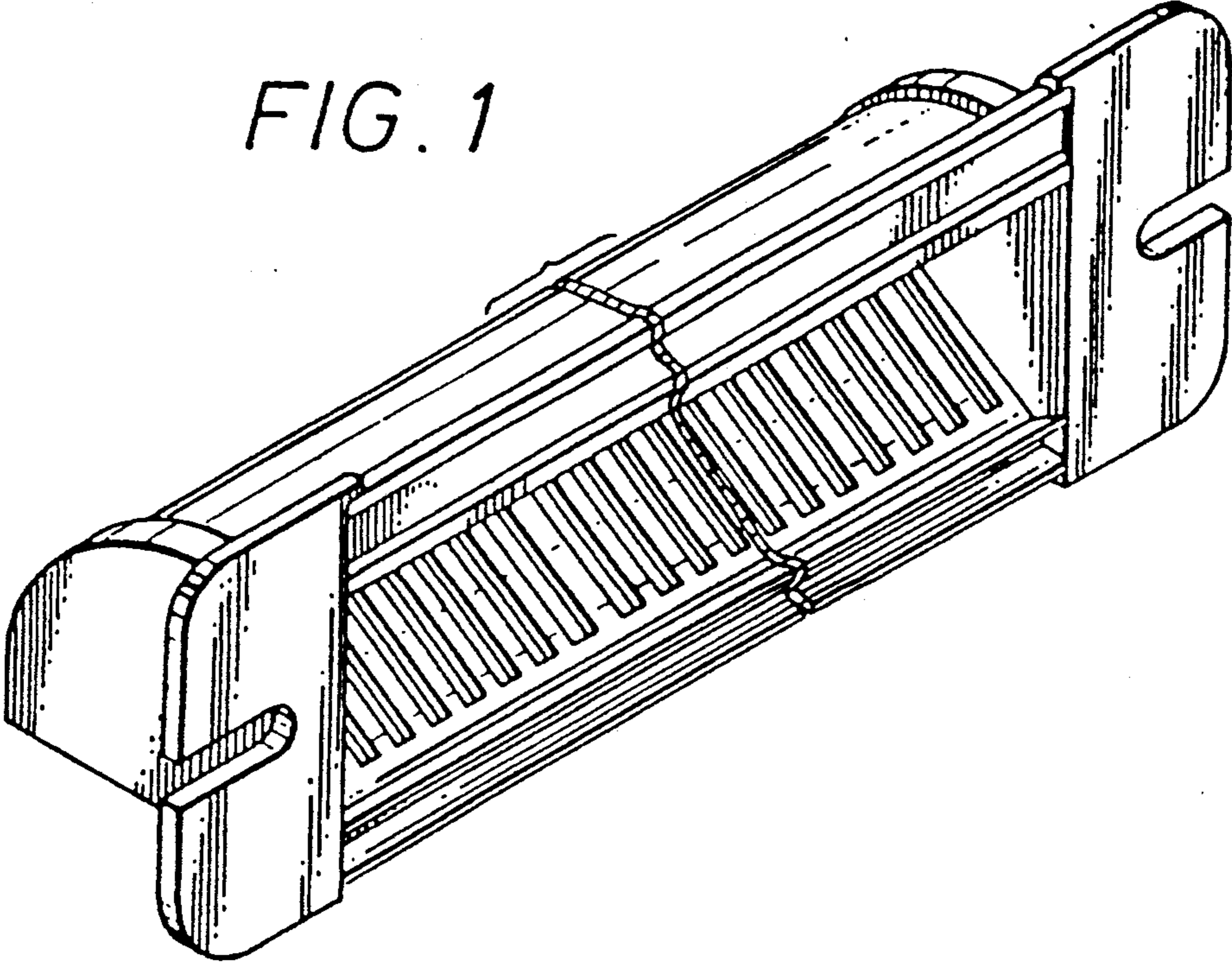


FIG. 2

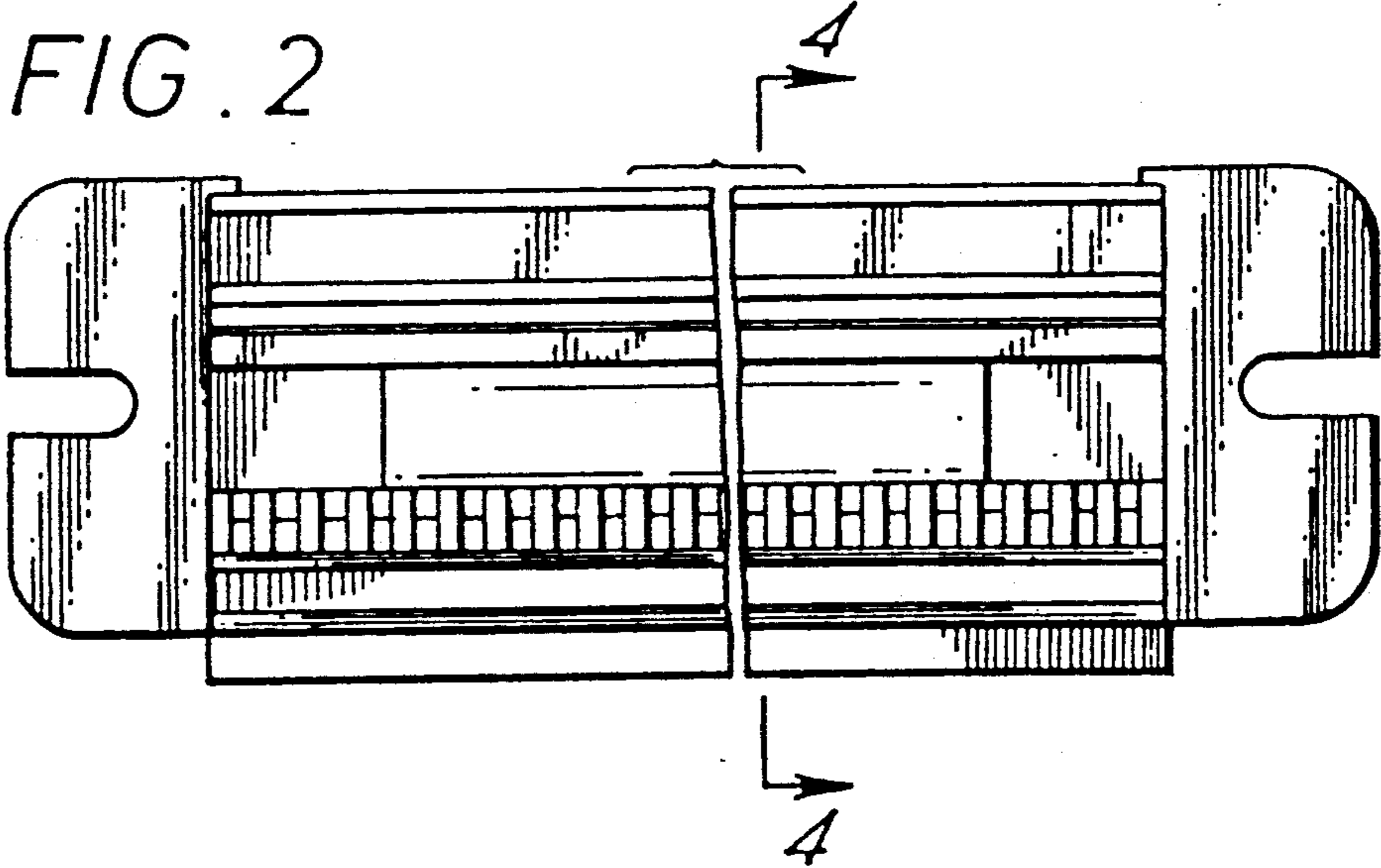


FIG. 3

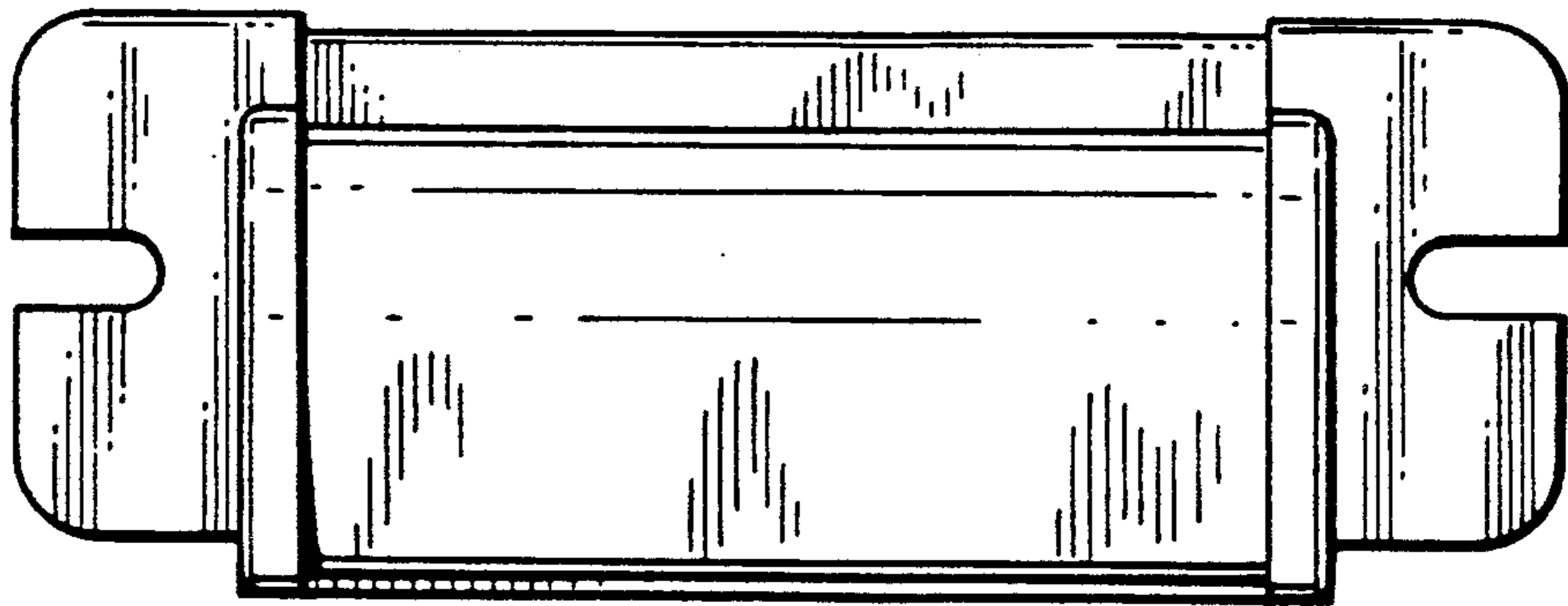


FIG. 4

