

[54] FISHING REEL BODY

[75] Inventors: Yasuhisa Kameda; Akihisa Shiozaki, both of Musashino, Japan

[73] Assignee: Daiwa Seiko, Inc., Tokyo, Japan

[**] Term: 14 Years

[21] Appl. No.: 297,545

[22] Filed: Jan. 17, 1989

[30] Foreign Application Priority Data

Jul. 19, 1988 [JP] Japan 63-28674

[52] U.S. Cl. D22/141

[58] Field of Search D22/141; 242/230-233, 242/224, 245, 246

[56] References Cited

U.S. PATENT DOCUMENTS

D. 291,109	7/1987	Myojo	D22/141
D. 300,765	4/1989	Iinuma et al.	D22/141
D. 309,340	7/1990	Kameda et al.	D22/141
D. 309,650	7/1990	Kameda et al.	D22/141
4,463,915	8/1984	Kaneko	242/232

Primary Examiner—Hugo A. Word
Assistant Examiner—Doris V. Coles
Attorney, Agent, or Firm—Cushman, Darby & Cushman

[57] CLAIM

The ornamental design for a fishing reel body, as shown and described.

DESCRIPTION

FIG. 1 is a top, front and one side perspective view of a fishing reel body showing our new design;
FIG. 2 is a top, rear and the opposite side perspective view thereof;
FIG. 3 is a front elevational view thereof;
FIG. 4 is a rear elevational view thereof;
FIG. 5 is a top plan view thereof;
FIG. 6 is a bottom view thereof;
FIG. 7 is a side elevational view of the opposite side thereof; and
FIG. 8 is a side elevational view of one side thereof.
The broken line showing of other parts of a fish reel is for illustrative purposes only and forms no part of the claimed design.

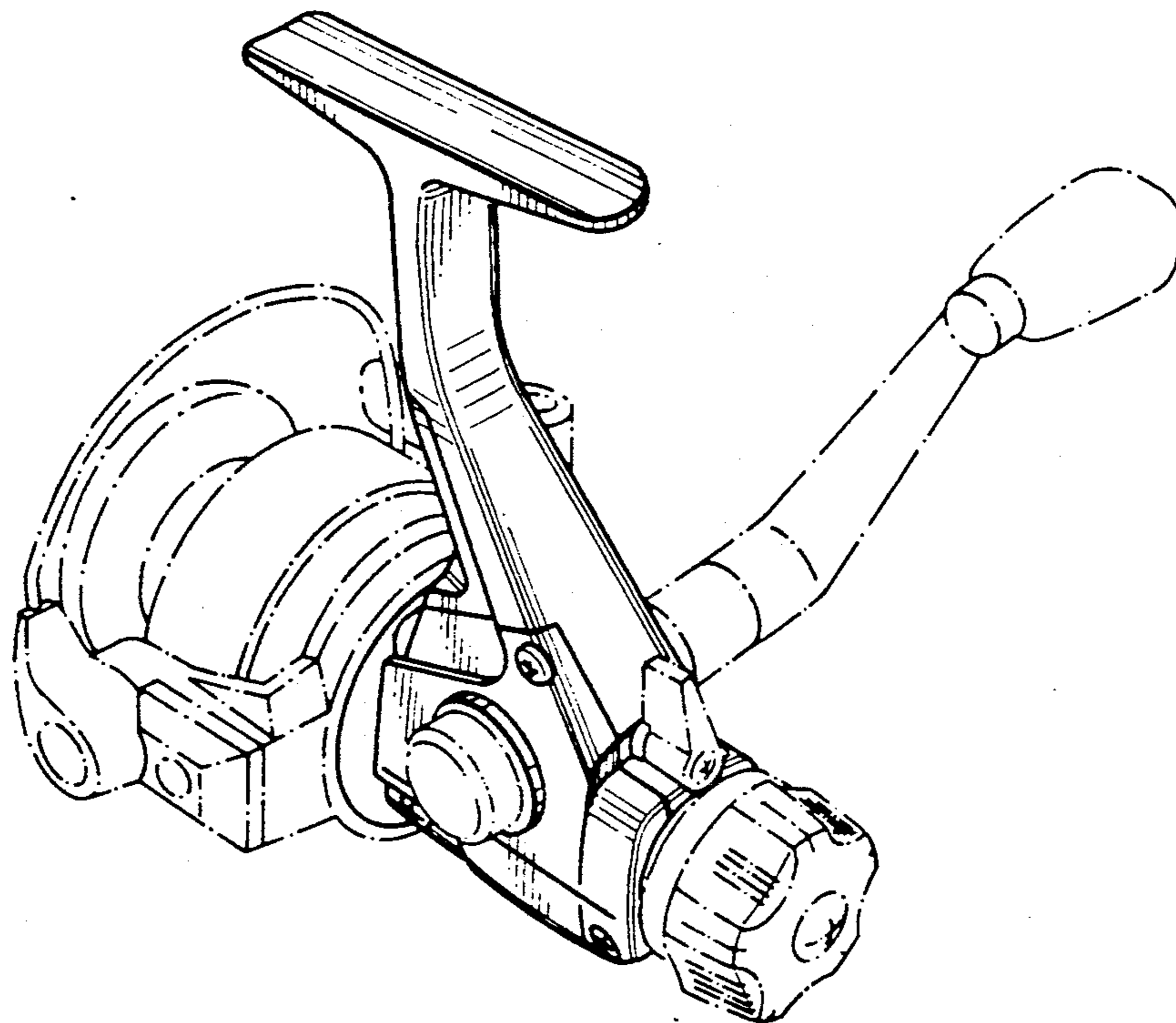


Fig. 1

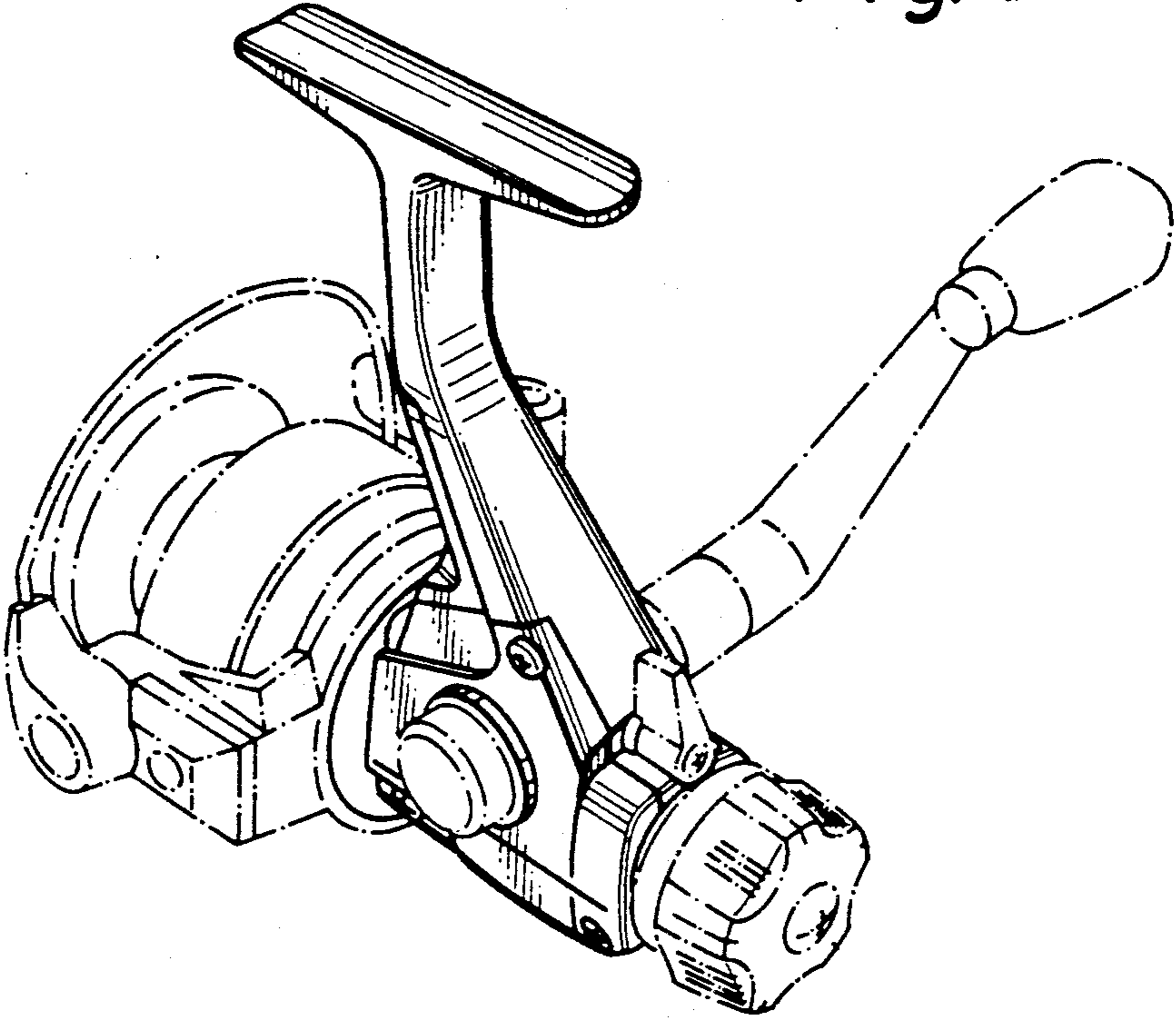


Fig. 2

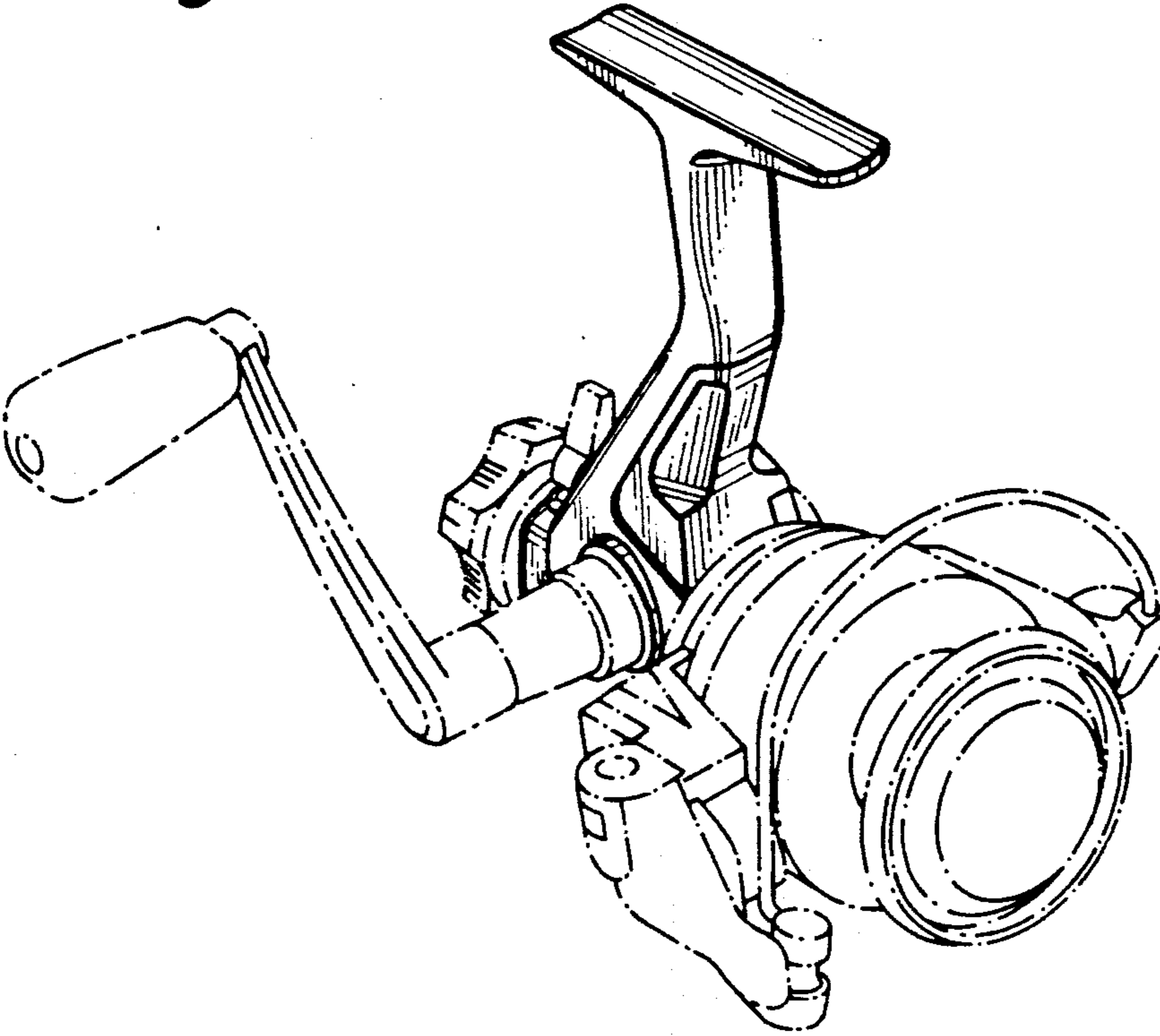


Fig. 3

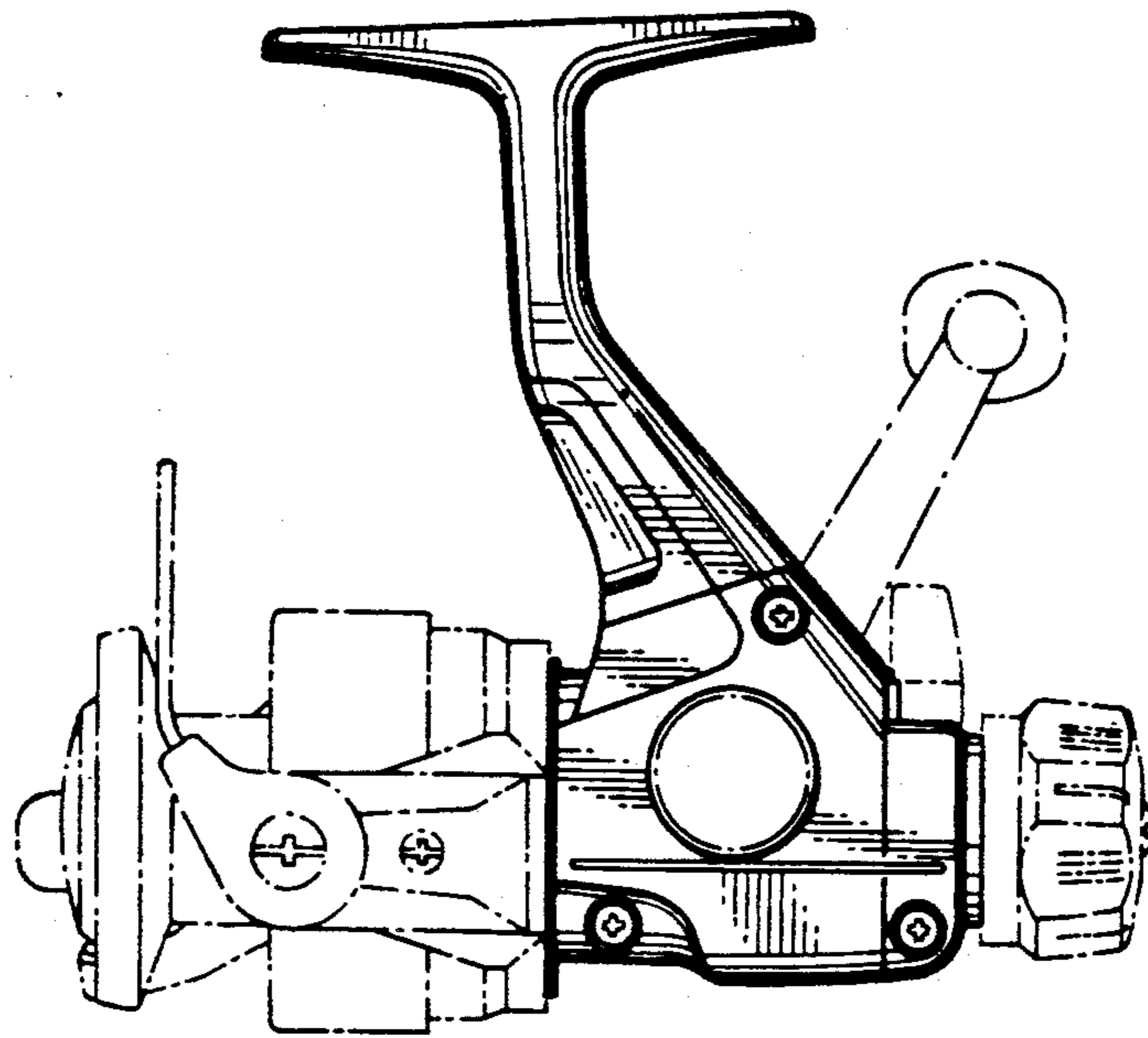


Fig. 4

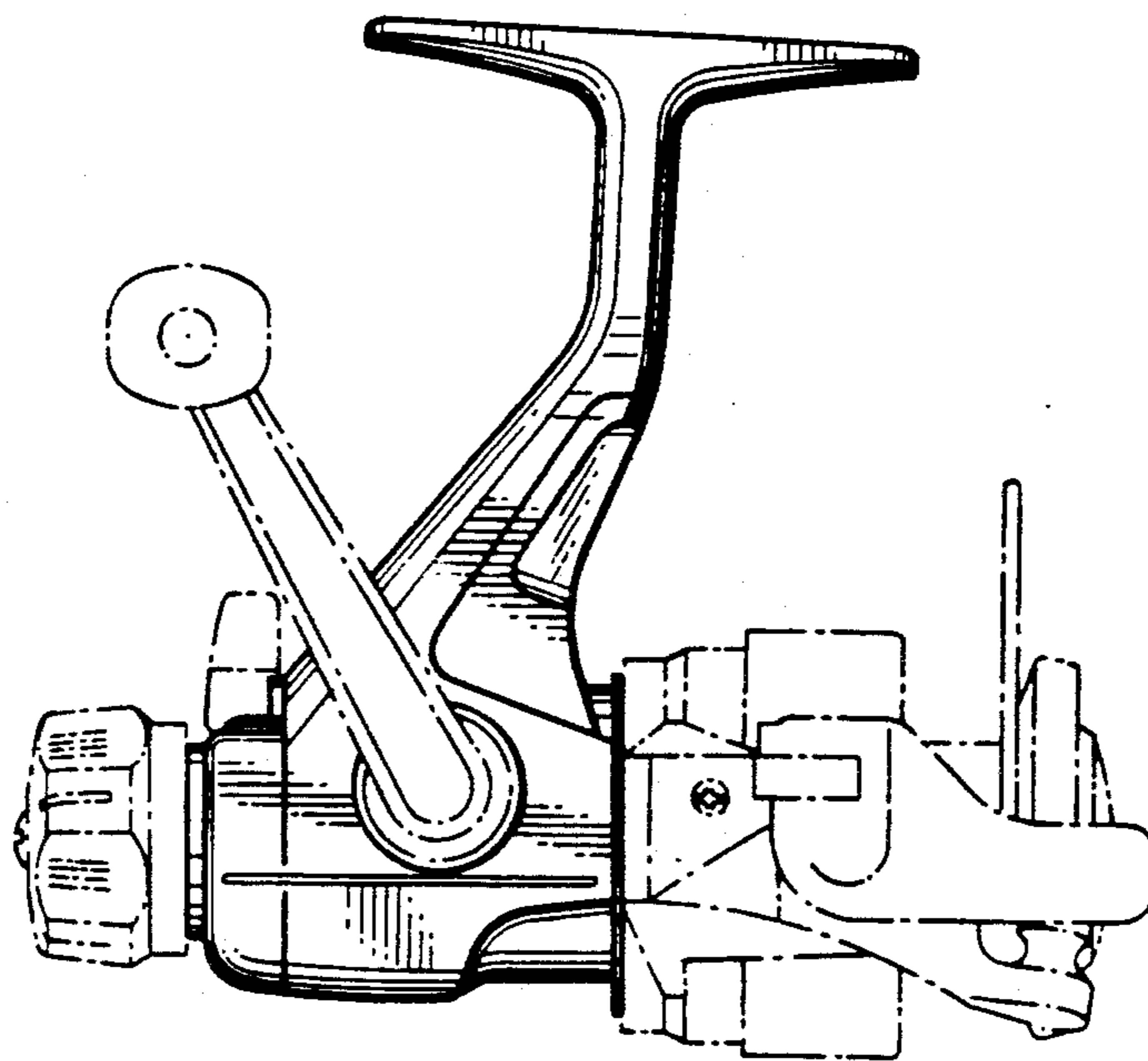


Fig. 5

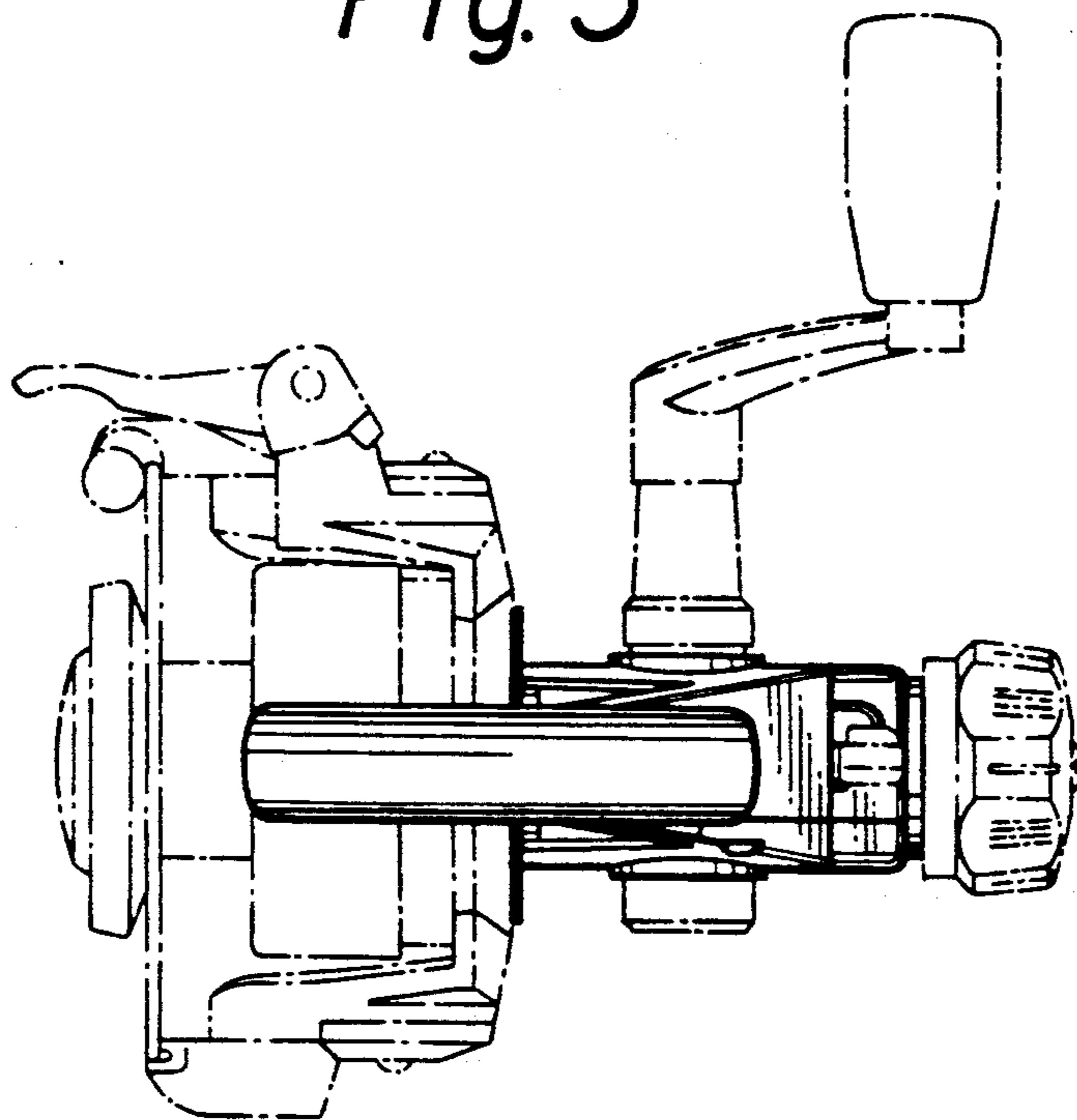


Fig. 6

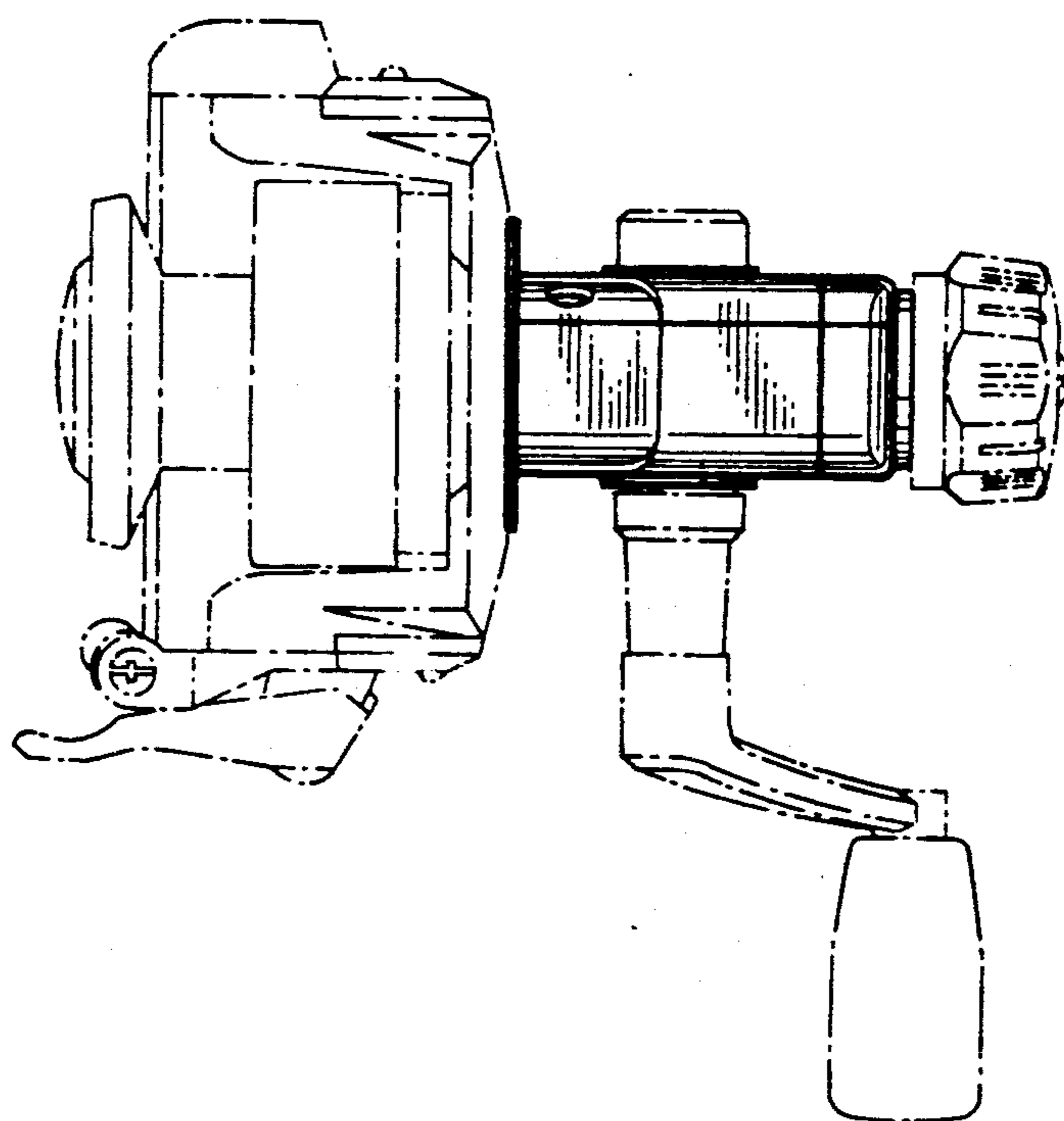


Fig. 7

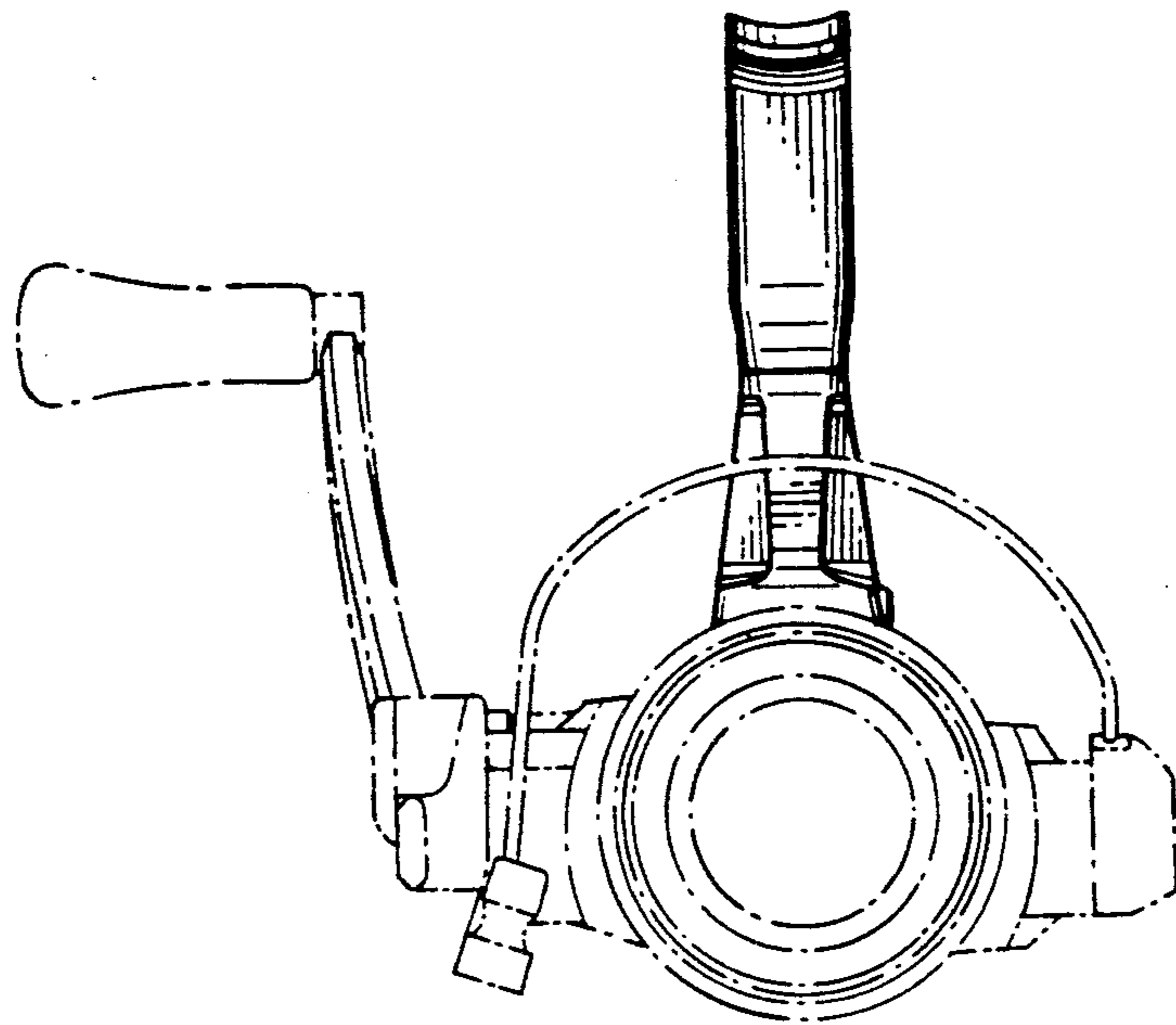


Fig. 8

