

[54] GOLF PUTTER HEAD

[75] Inventor: Jon R. Brown, Dallas, Tex.

[73] Assignee: Highpoint Golf, Inc., Dallas, Tex.

[**] Term: 14 Years

[21] Appl. No.: 197,898

[22] Filed: May 23, 1988

[52] U.S. Cl. D21/219

[58] Field of Search D21/214-220;
273/167-175, 163 R, 164

[56] References Cited

U.S. PATENT DOCUMENTS

- D. 228,927 10/1973 Brower D21/219
- D. 246,541 11/1977 Myers D21/217

OTHER PUBLICATIONS

Golf World, Dec. 10, 1965, bottom, ping cushion putter.

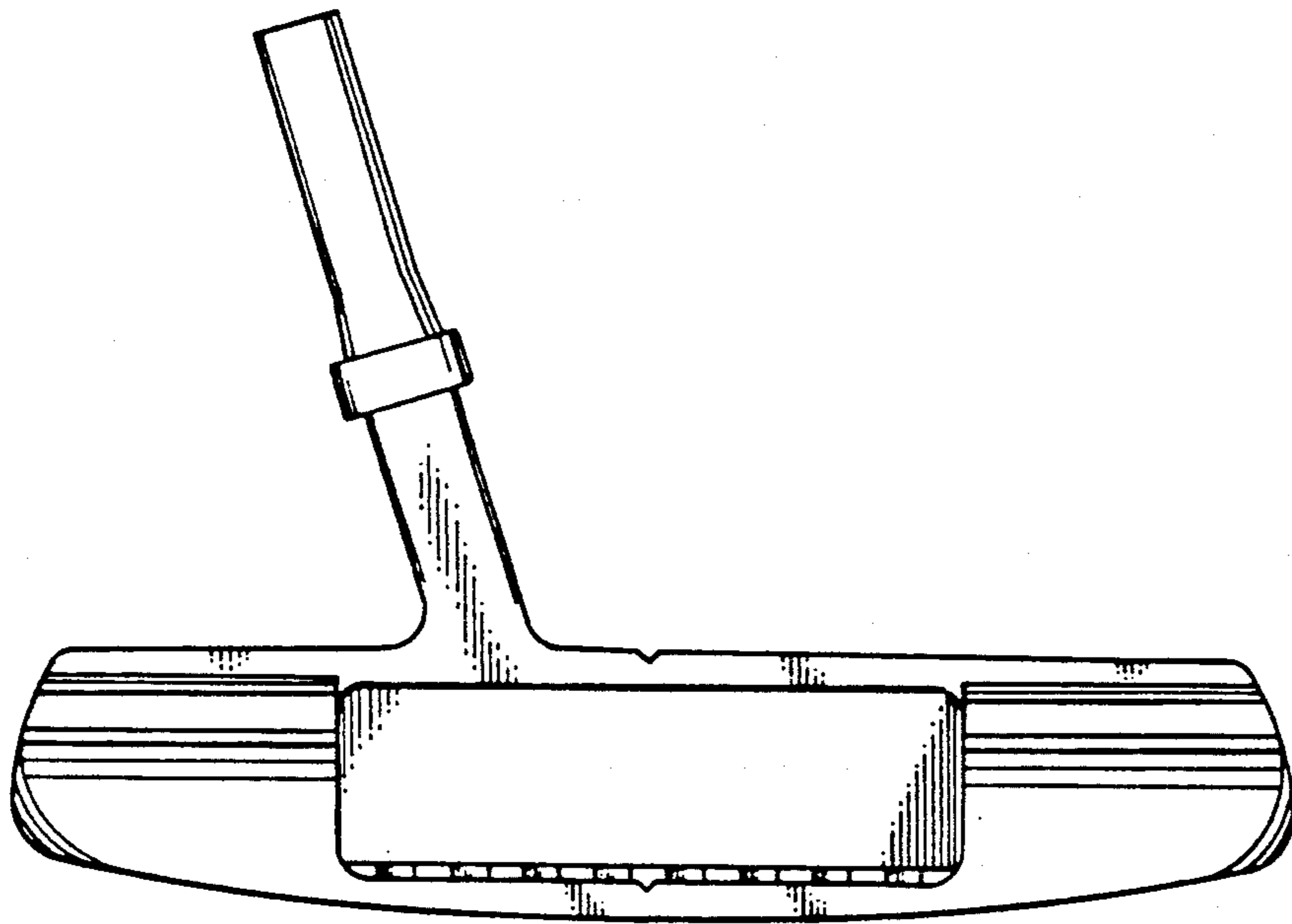
Primary Examiner—Melvin B. Feifer
Attorney, Agent, or Firm—Timmons & Kelly

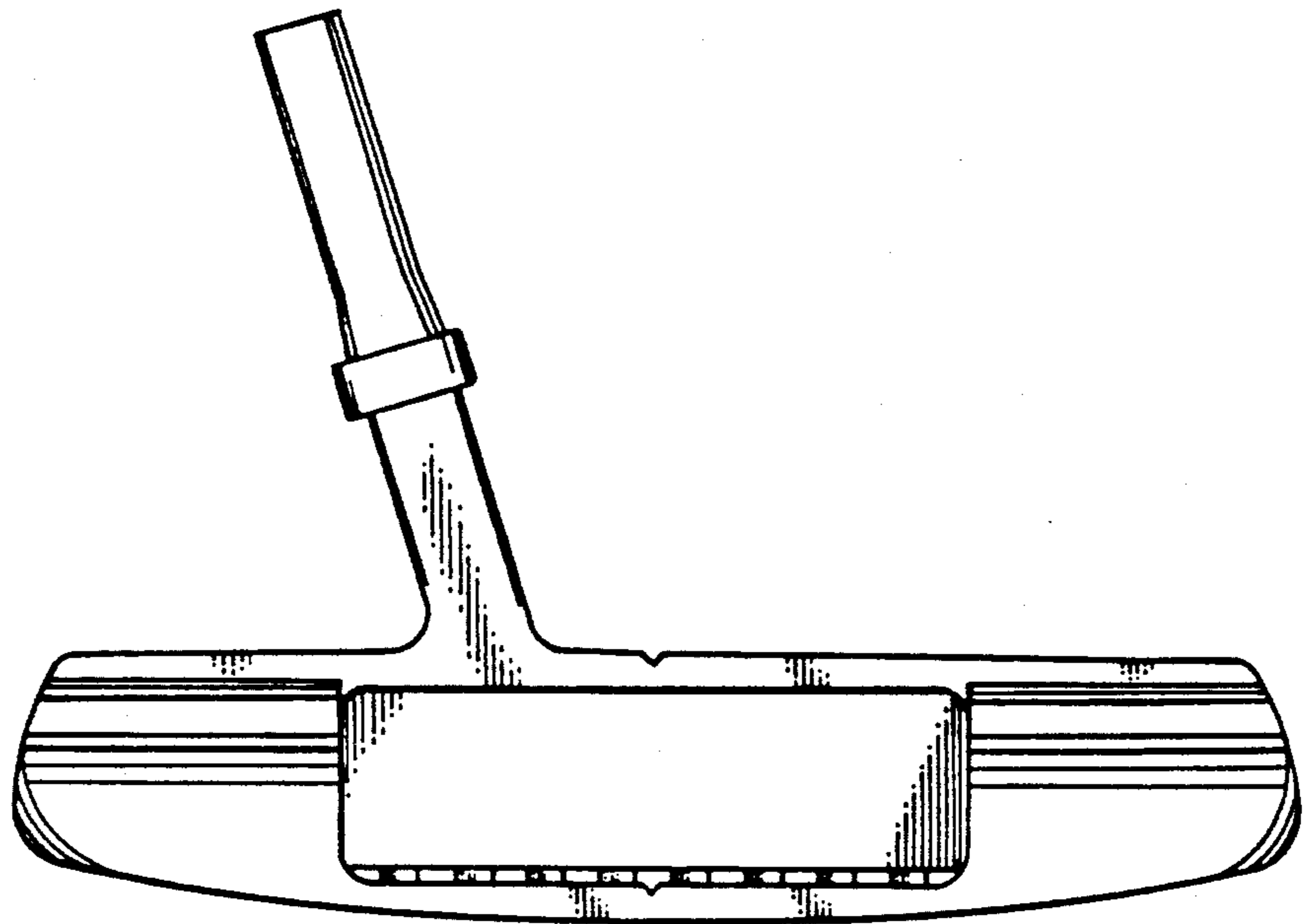
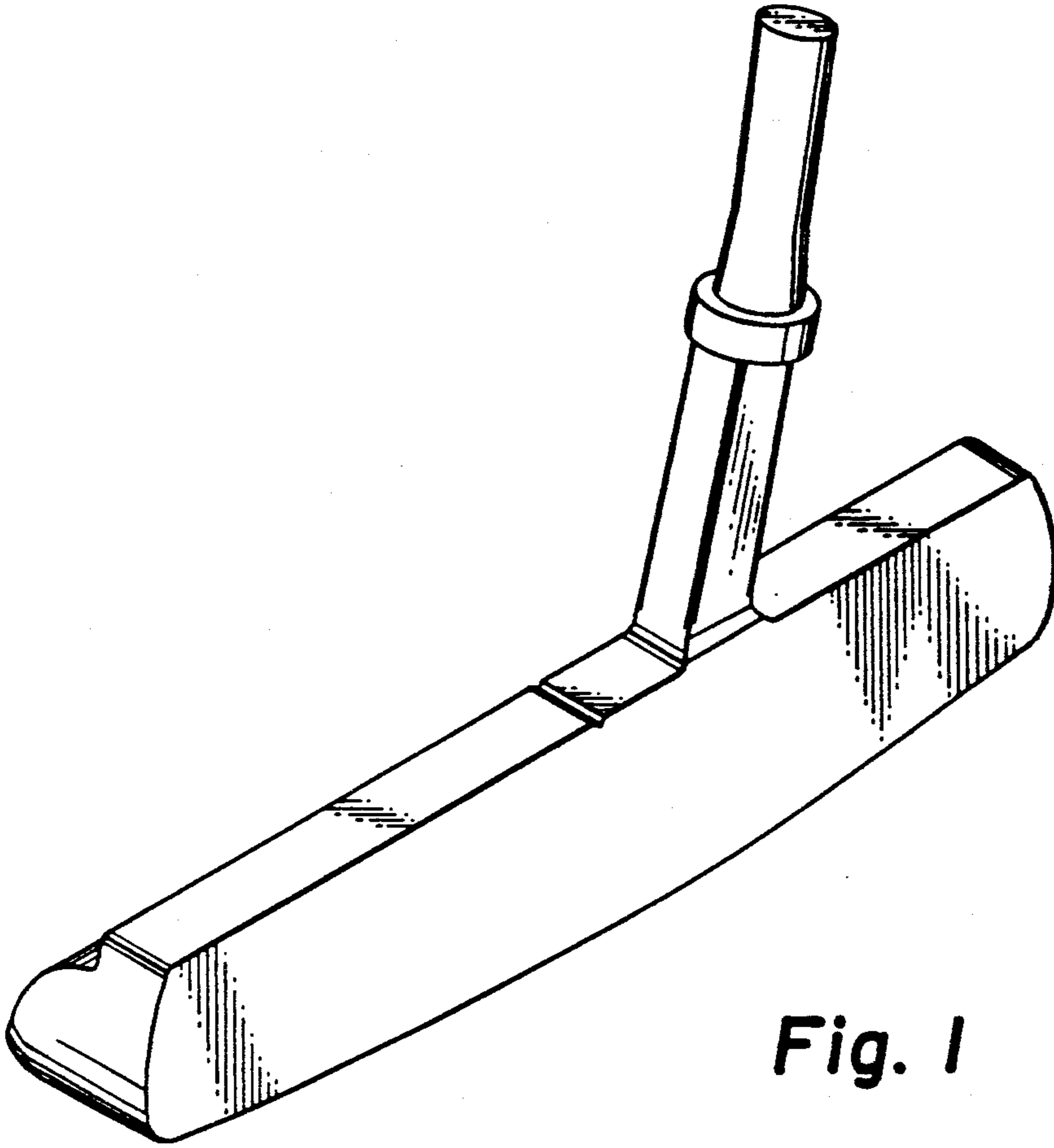
[57] CLAIM

The ornamental design for a golf putter head, as shown and described.

DESCRIPTION

FIG. 1 is a front perspective view of a golf putter head embodying my new design;
 FIG. 2 is a rear elevational view thereof;
 FIG. 3 is a top plan view thereof;
 FIG. 4 is a front elevational view thereof;
 FIG. 5 is a toe end elevational view thereof;
 FIG. 6 is a heel end elevational view thereof; and
 FIG. 7 is a bottom plan view thereof.





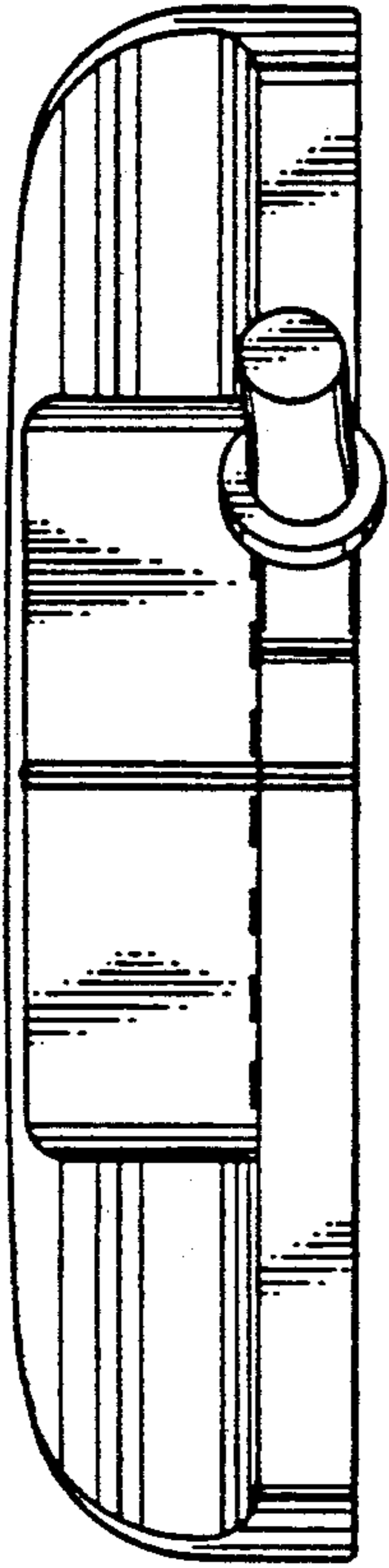


Fig. 3

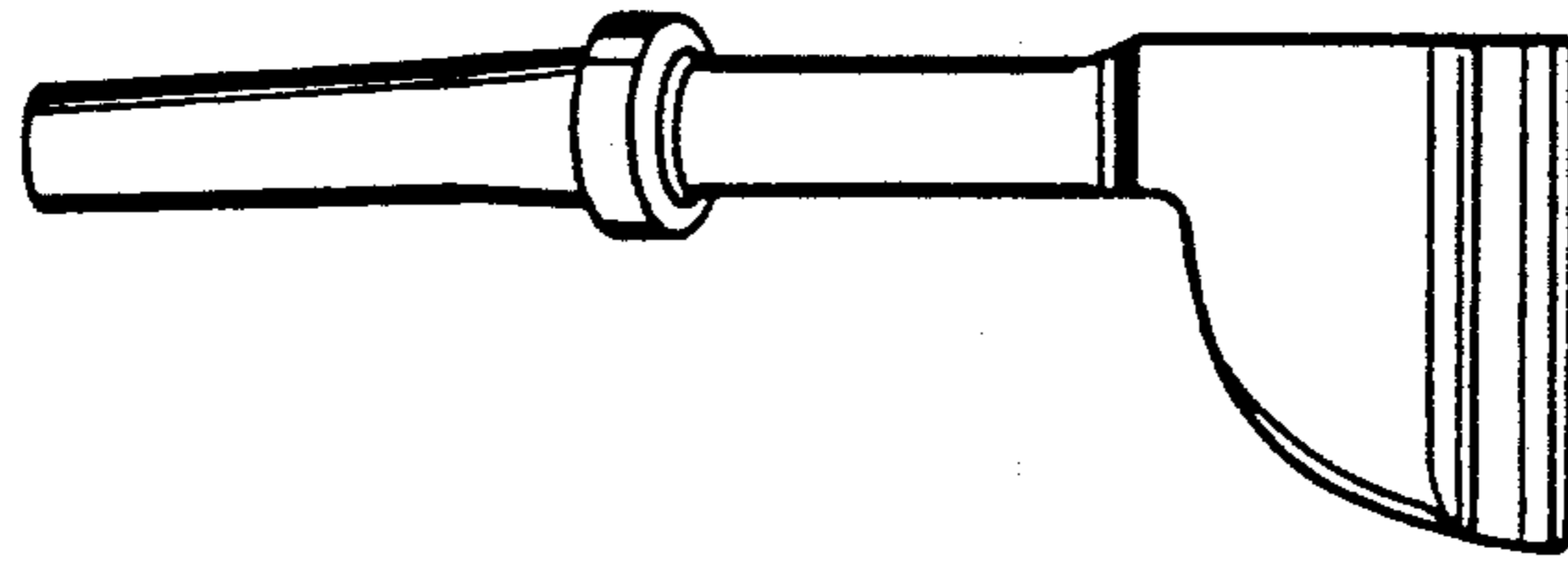


Fig. 5

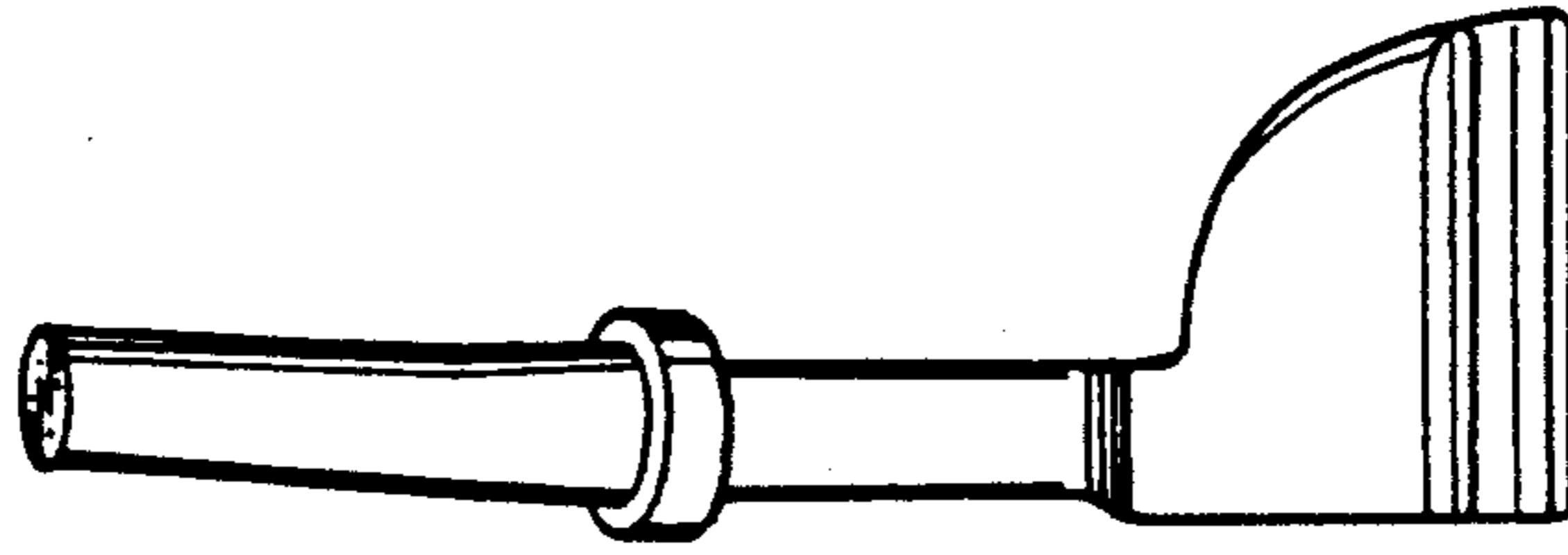


Fig. 6

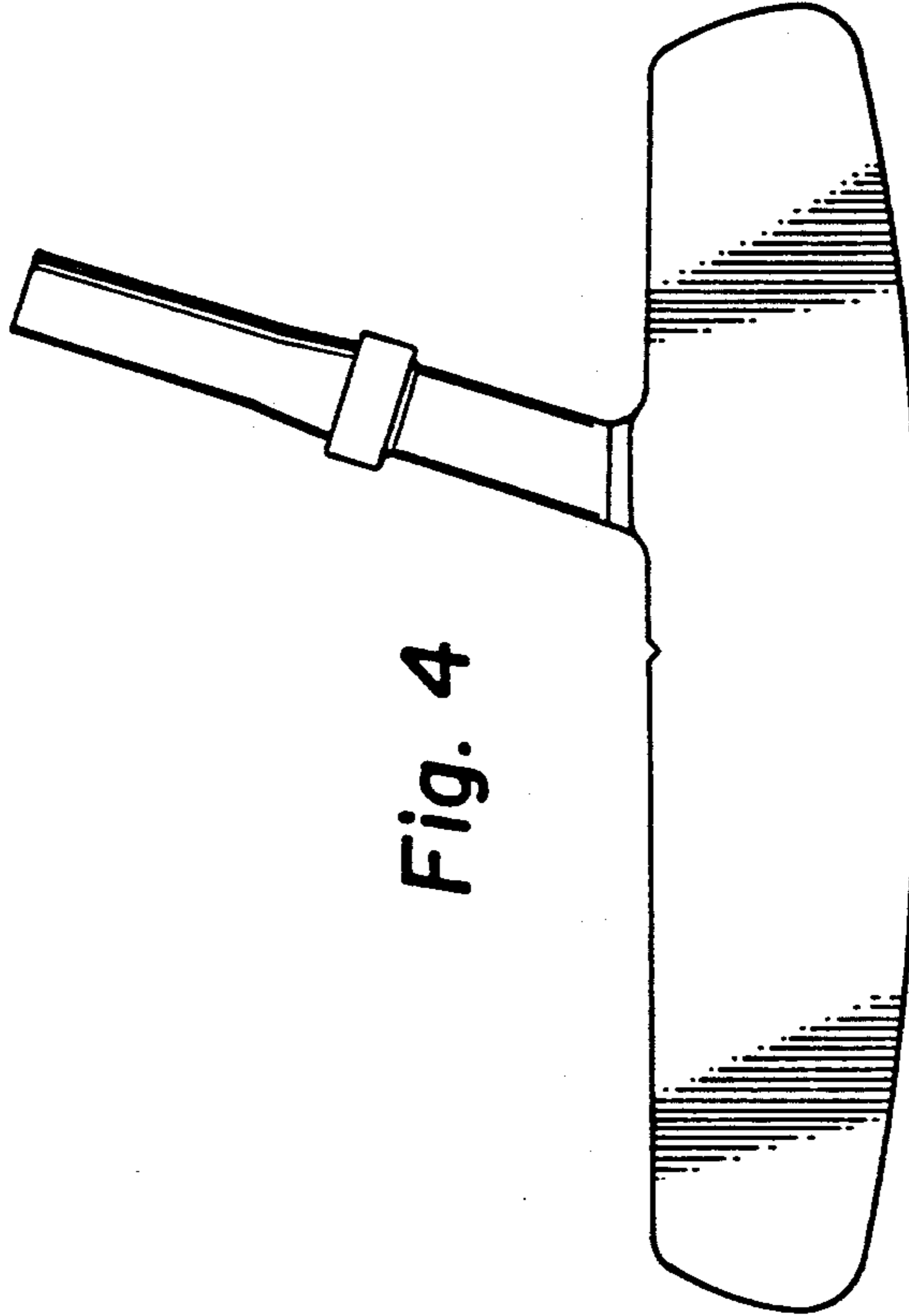


Fig. 4

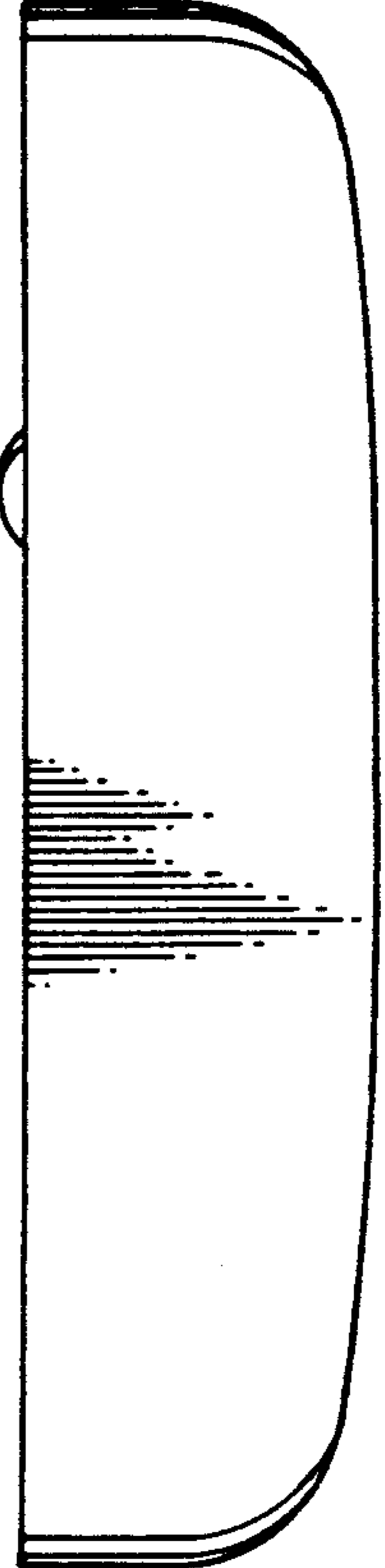


Fig. 7