

[54] BASKETBALL TRAINING GOAL

4,786,371 11/1988 Postol ..... 273/1.5 A

[76] Inventor: Yuan H. Lo, No. 8-1, Tou Chien,  
Kan Kou Tsun, Lu Chu Hsiang, Tao  
Yuan Hsien, Taiwan

Primary Examiner—Terry A. Pfeffer  
Attorney, Agent, or Firm—Poms, Smith, Lande & Rose

[\*\*] Term: 14 Years

[57] CLAIM

[21] Appl. No.: 458,819

The ornamental design for a basketball training goal, as shown and described.

[22] Filed: Dec. 29, 1989

DESCRIPTION

[52] U.S. Cl. .... D21/201

[58] Field of Search ..... D21/200, 201;  
273/1.5 R, 1.5 A, 397

FIG. 1 is a perspective view of a basketball training goal showing my new design;

FIG. 2 is a front elevational view thereof;

FIG. 3 is a rear elevational view thereof;

FIG. 4 is a top plan view thereof;

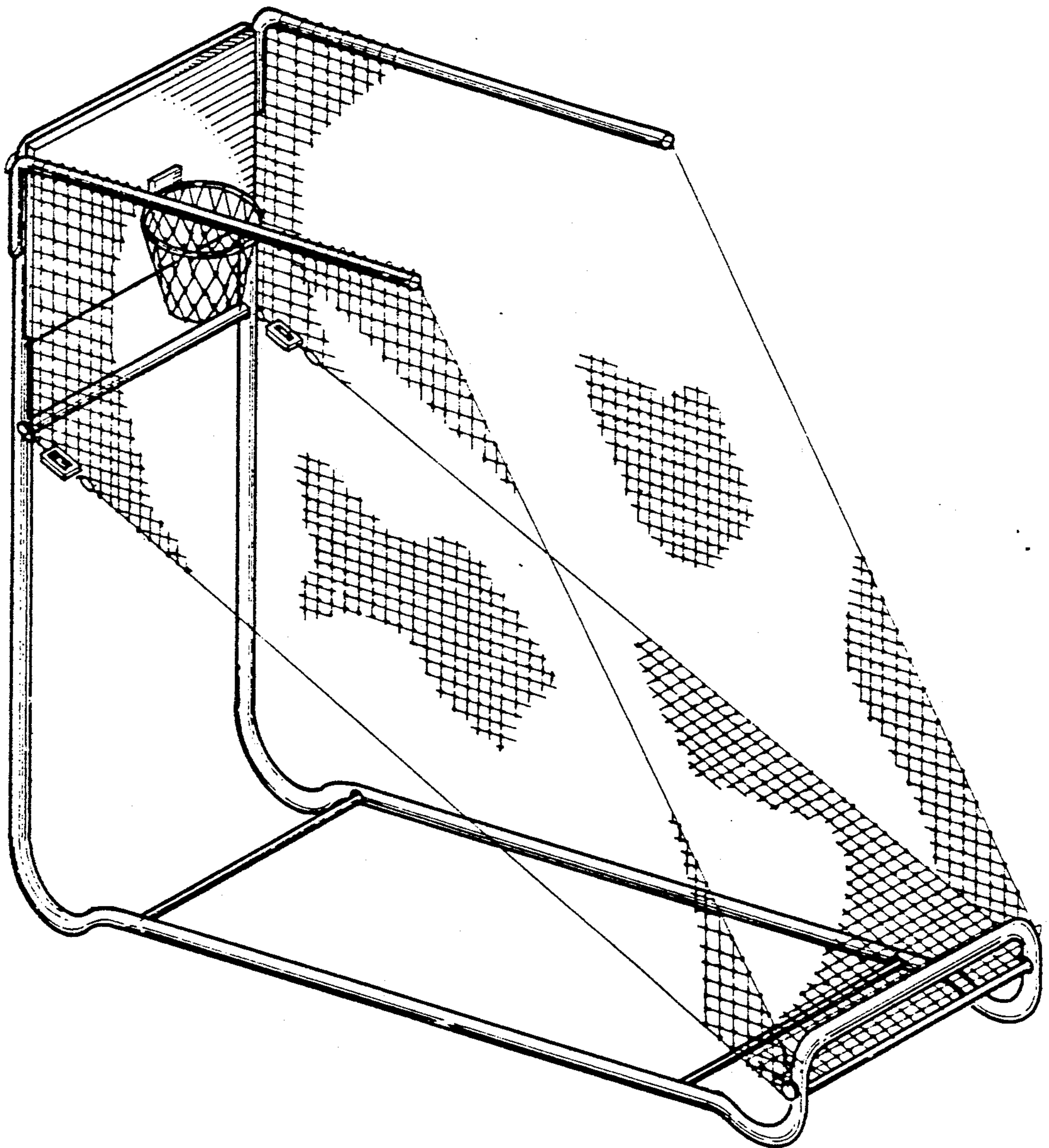
FIG. 5 is a bottom plan view thereof; and

FIG. 6 is a left side elevational view thereof, the right side being identical.

[56] References Cited

U.S. PATENT DOCUMENTS

- D. 284,599 7/1986 Cochran ..... D21/201
- D. 293,125 12/1987 Cochran ..... D21/201



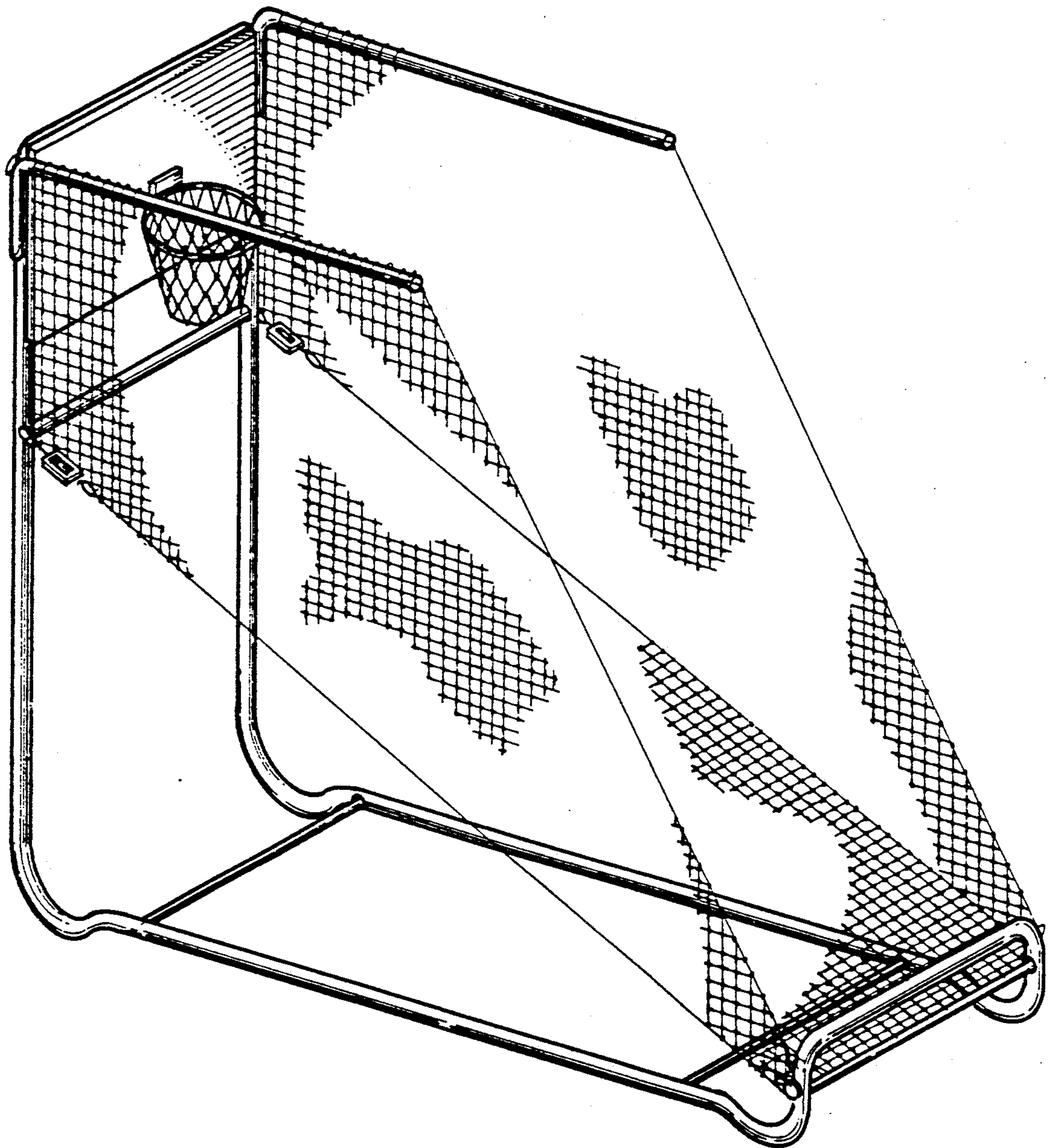


Fig. 1

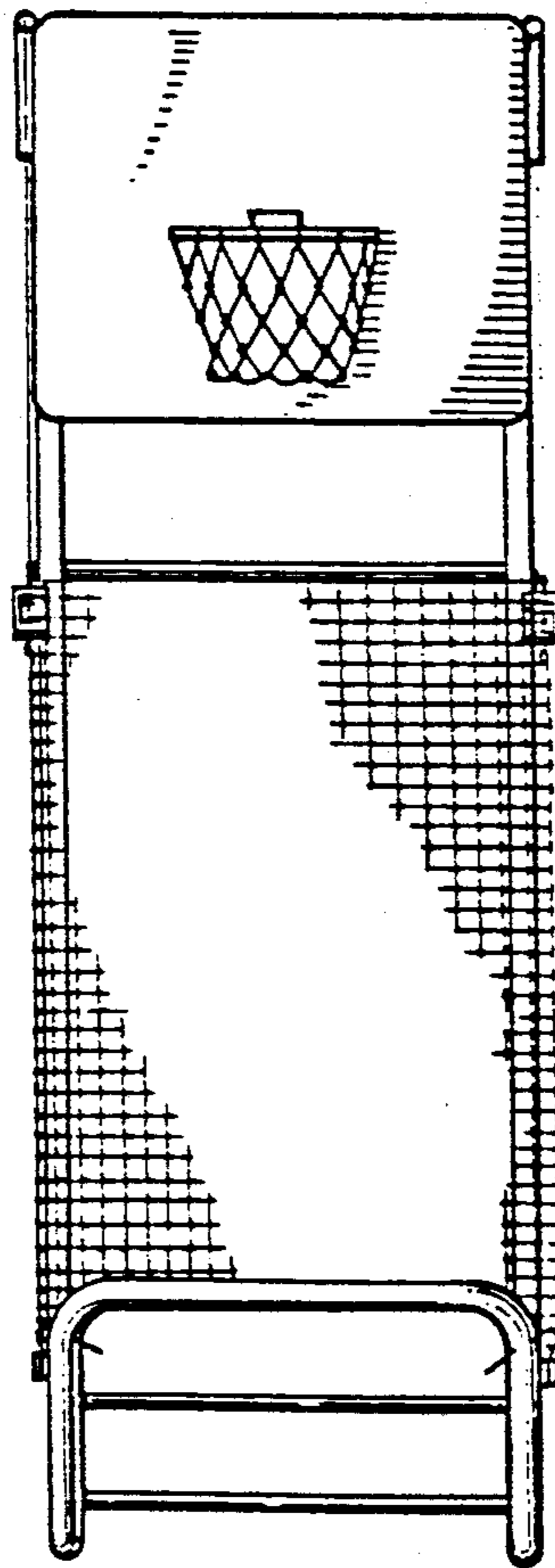


Fig. 2

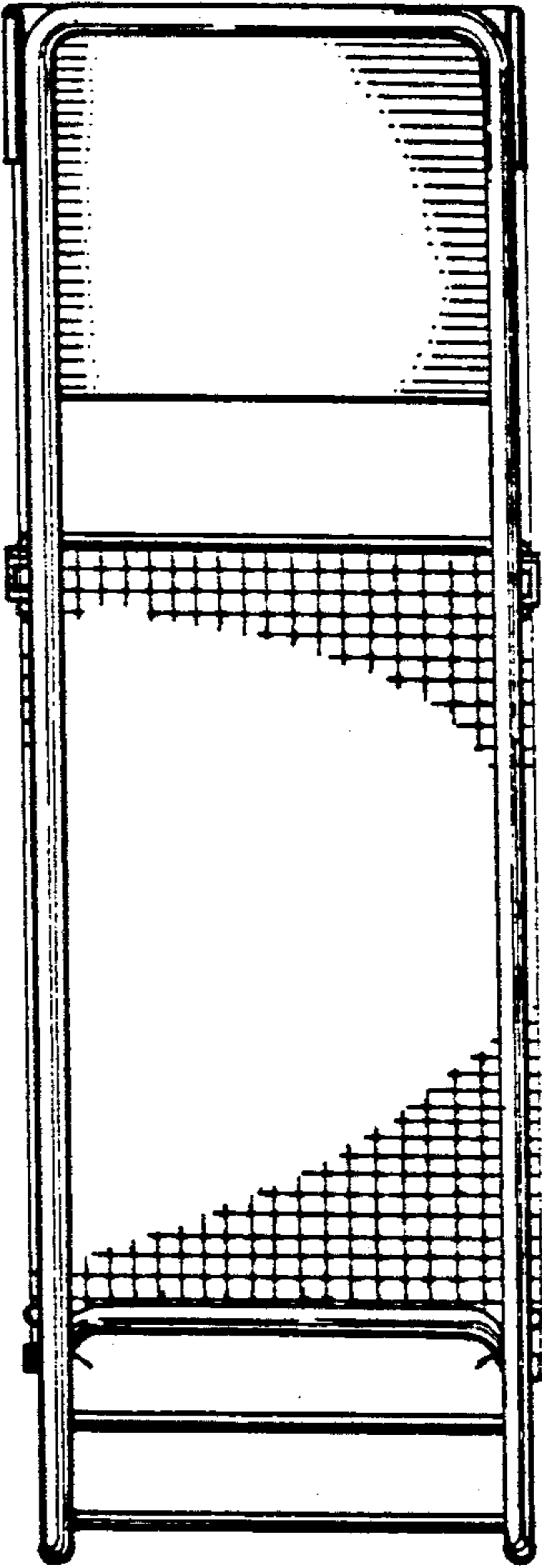


Fig. 3

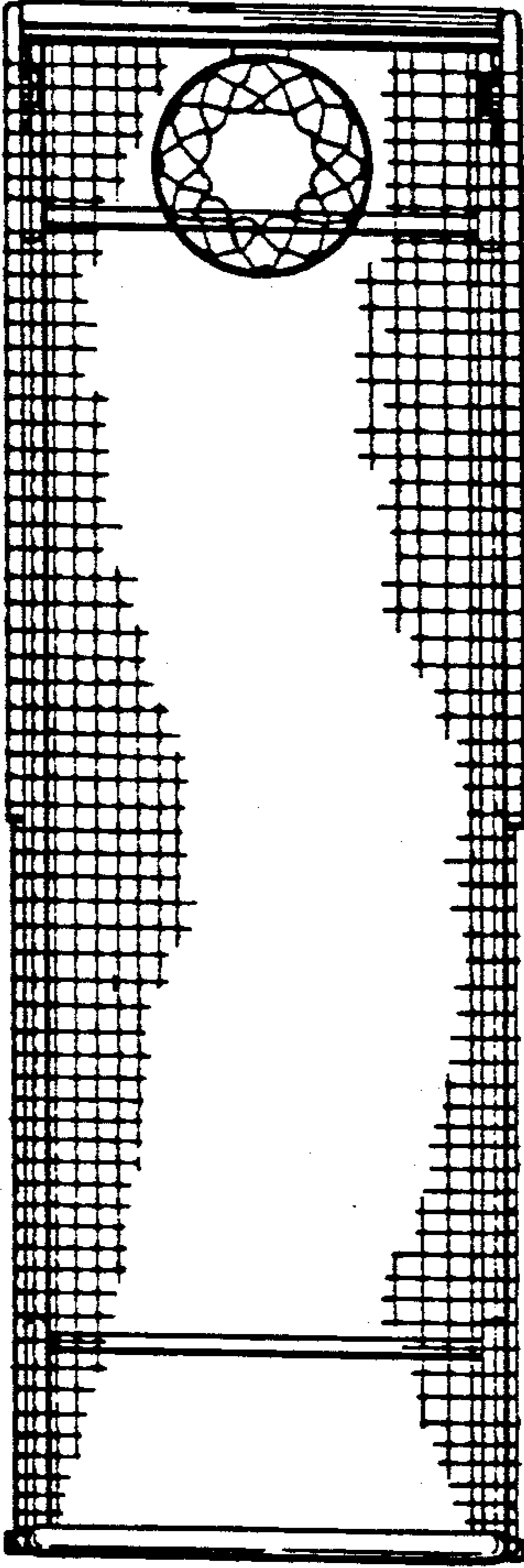


Fig. 4

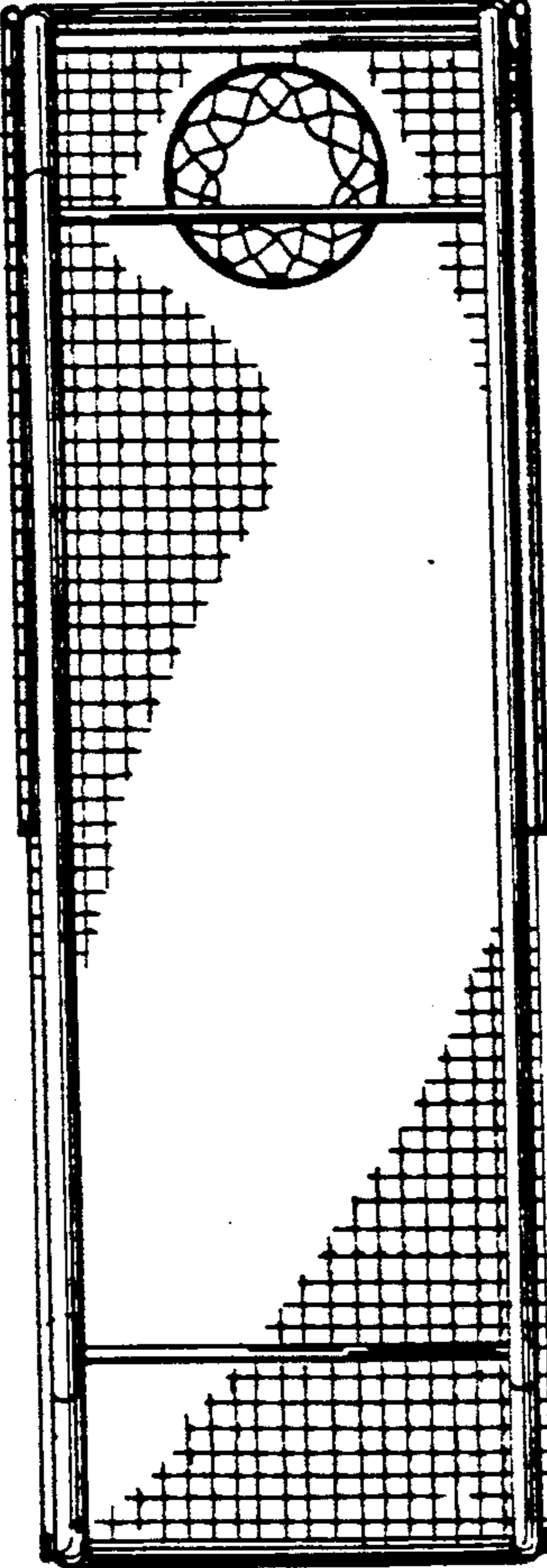


Fig. 5

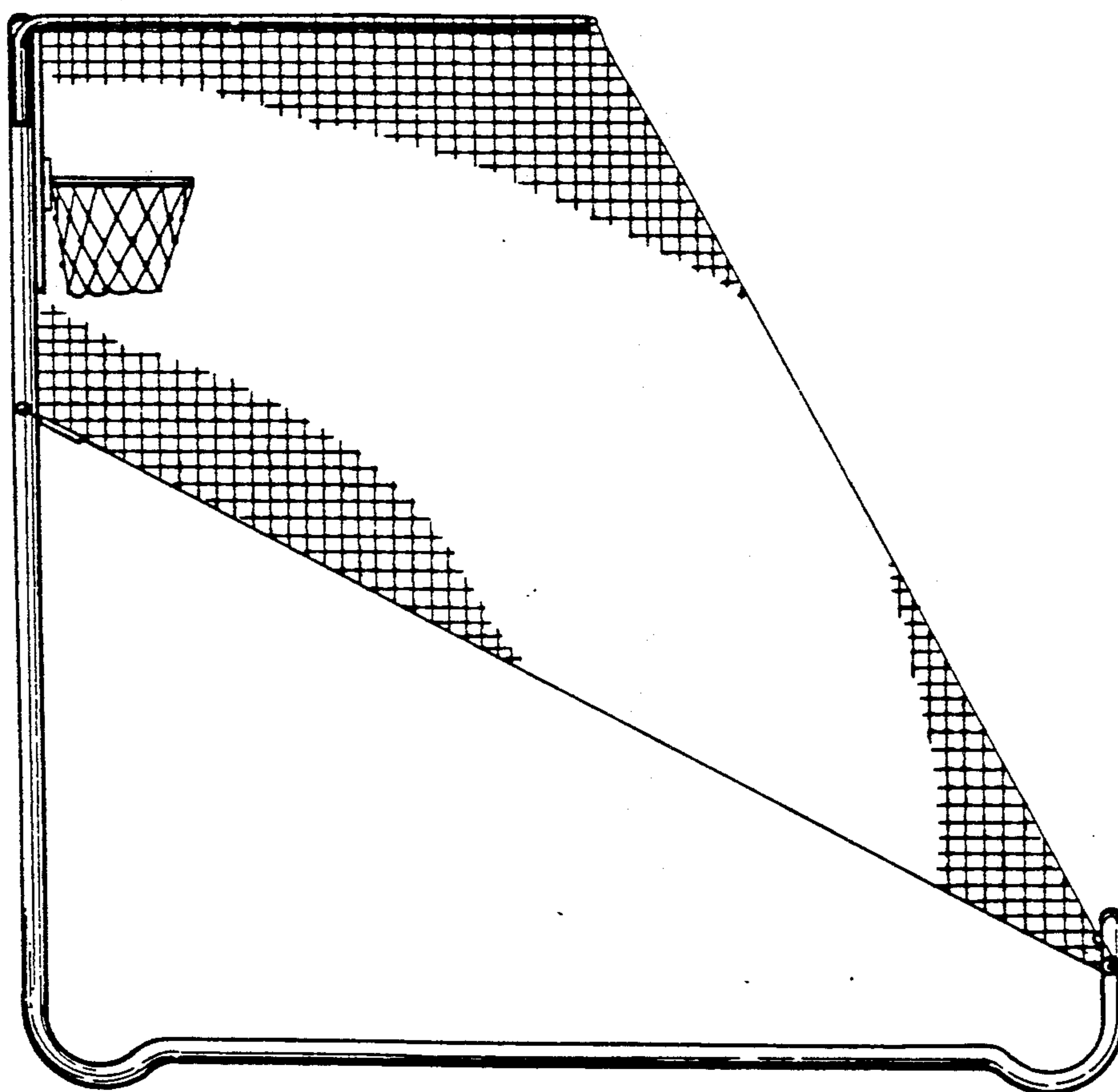


Fig. 6