

[54] PHYSICAL EXERCISER

[76] Inventor: Jeffrey A. Blubaugh, 2351 South 183 West, Goddard, Kans. 67052

[\*\*] Term: 14 Years

[21] Appl. No.: 415,535

[22] Filed: Oct. 2, 1989

[52] U.S. Cl. .... D21/195

[58] Field of Search ..... D21/191-199;  
272/130, 131, 133, 134, 147, 137

[56] References Cited

U.S. PATENT DOCUMENTS

D. 265,111	6/1982	Lynn	.....	D21/195
D. 289,784	5/1987	Carey et al.	.....	D21/195
D. 300,048	2/1989	Grider	.....	D21/191
4,923,195	5/1990	Calderone	.....	272/134

Primary Examiner—Charles A. Rademaker  
Attorney, Agent, or Firm—Longacre & White

[57] CLAIM

The ornamental design for a physical exerciser, as shown and described.

DESCRIPTION

FIG. 1 is a perspective view of a physical exerciser showing my new design;

FIG. 2 is a front elevational view thereof;

FIG. 3 is a rear elevational view thereof;

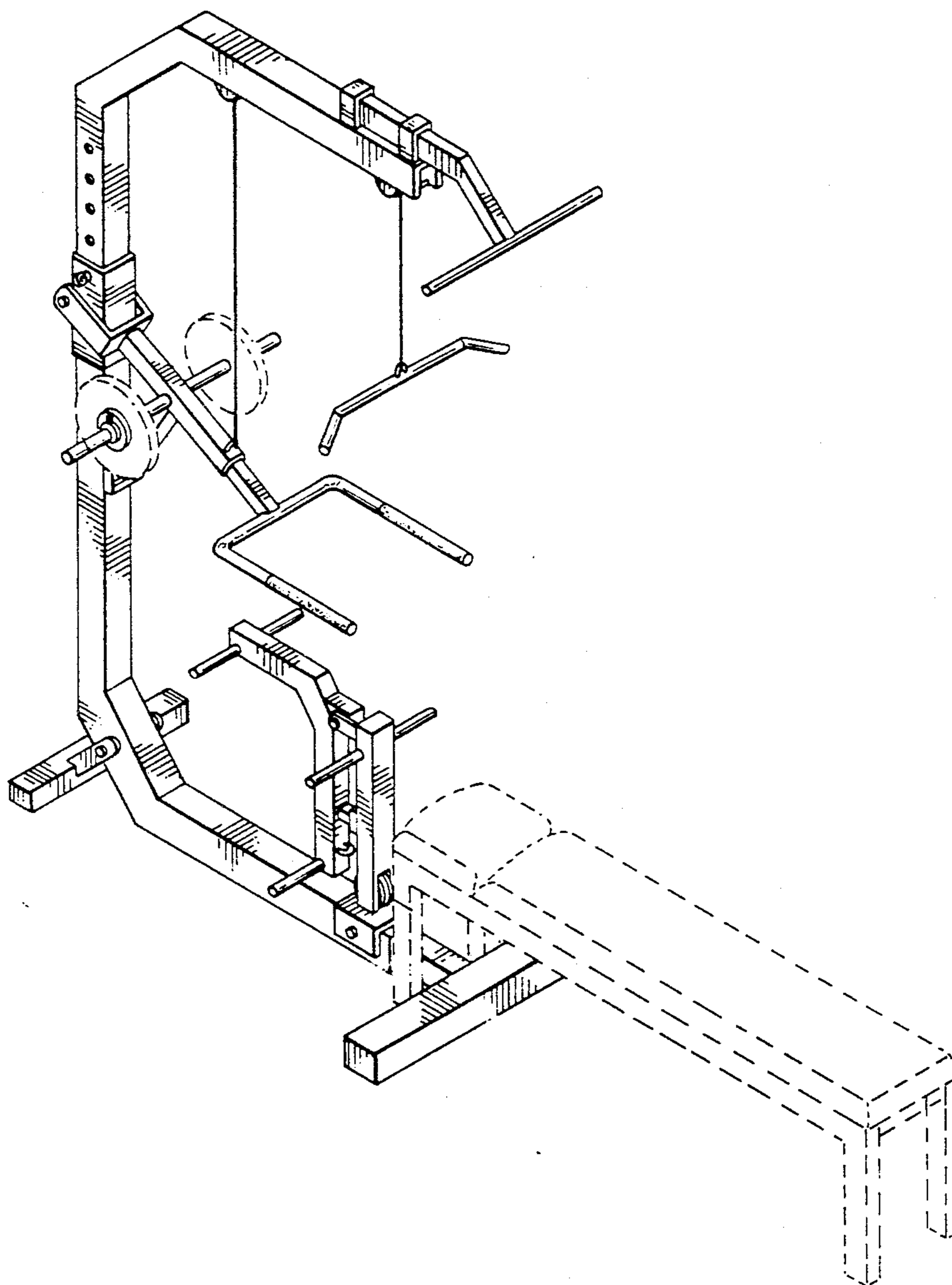
FIG. 4 is a right side elevational view thereof;

FIG. 5 is a left side elevational view thereof;

FIG. 6 is a top plan view thereof; and

FIG. 7 is a bottom plan view thereof.

The broken line showing of a bench and weight members in FIG. 1 is for illustrative purposes only and forms no part of the claimed design.



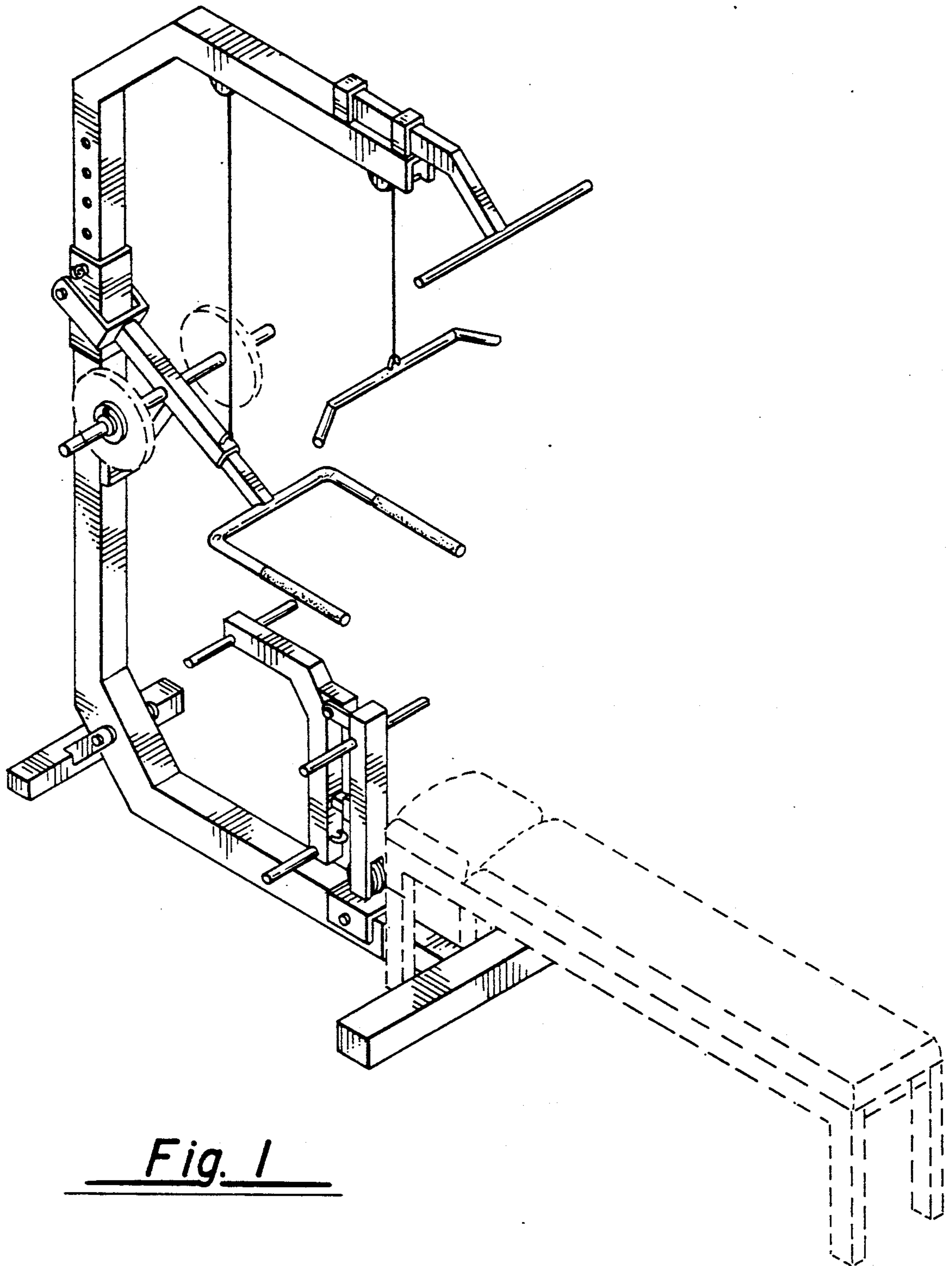


Fig. 1

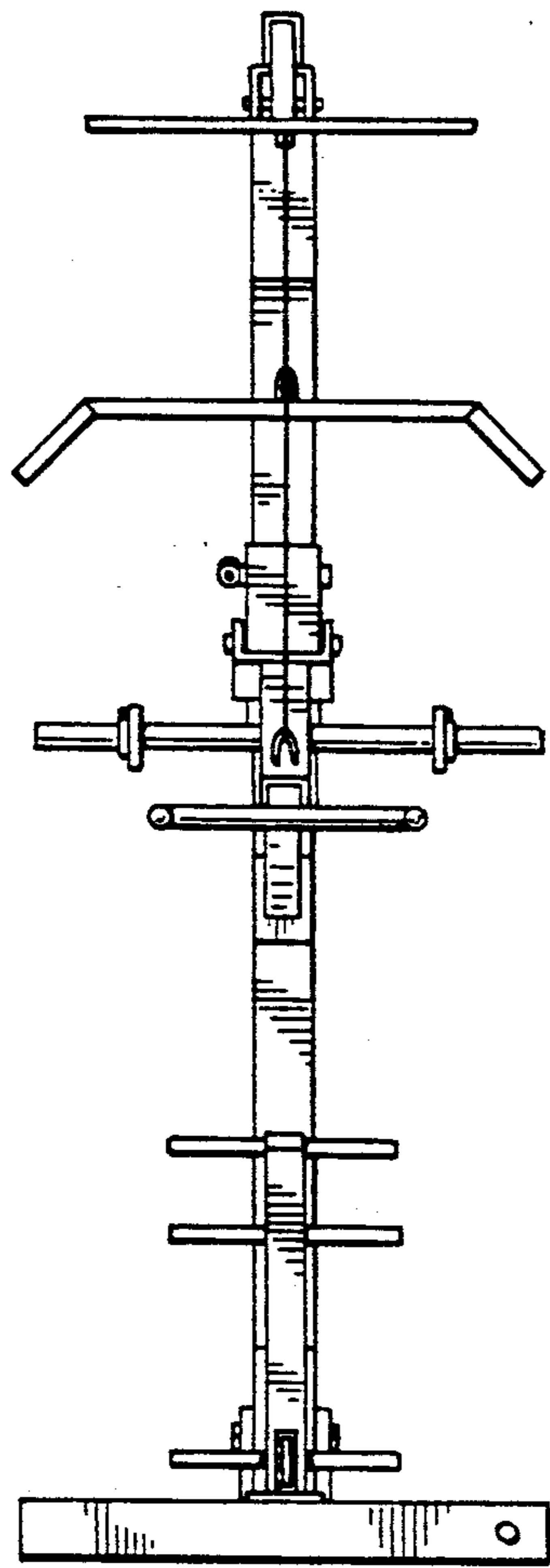


Fig. 2

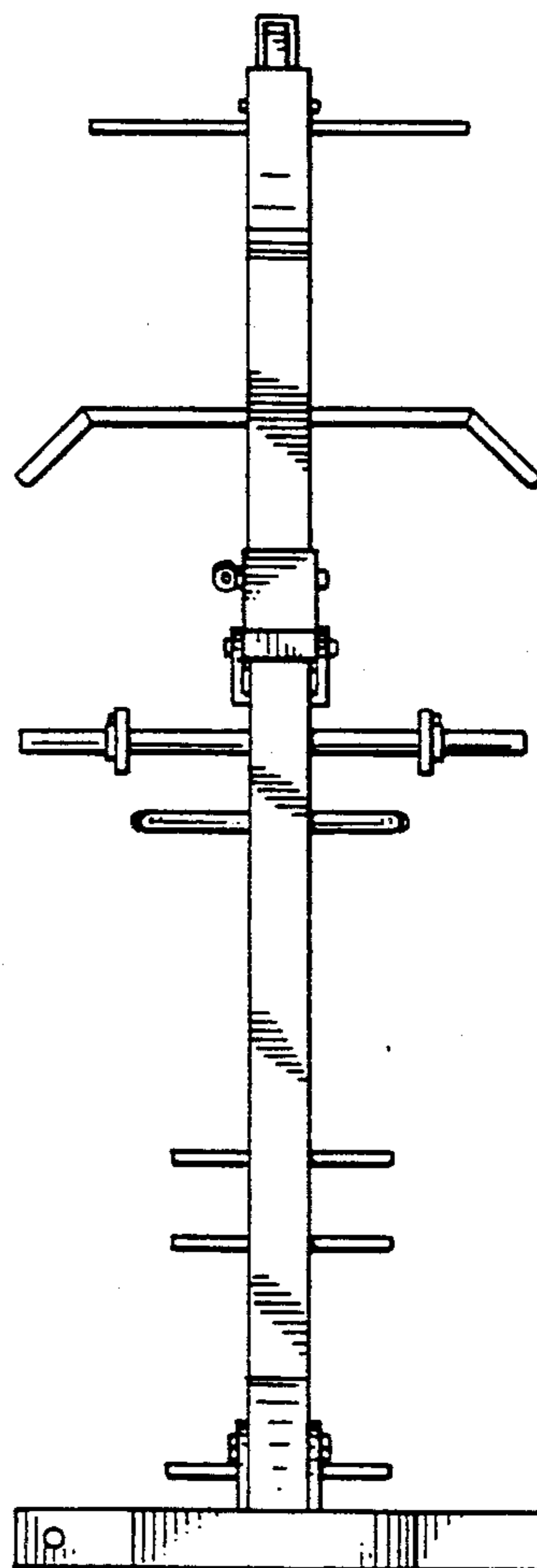


Fig. 3

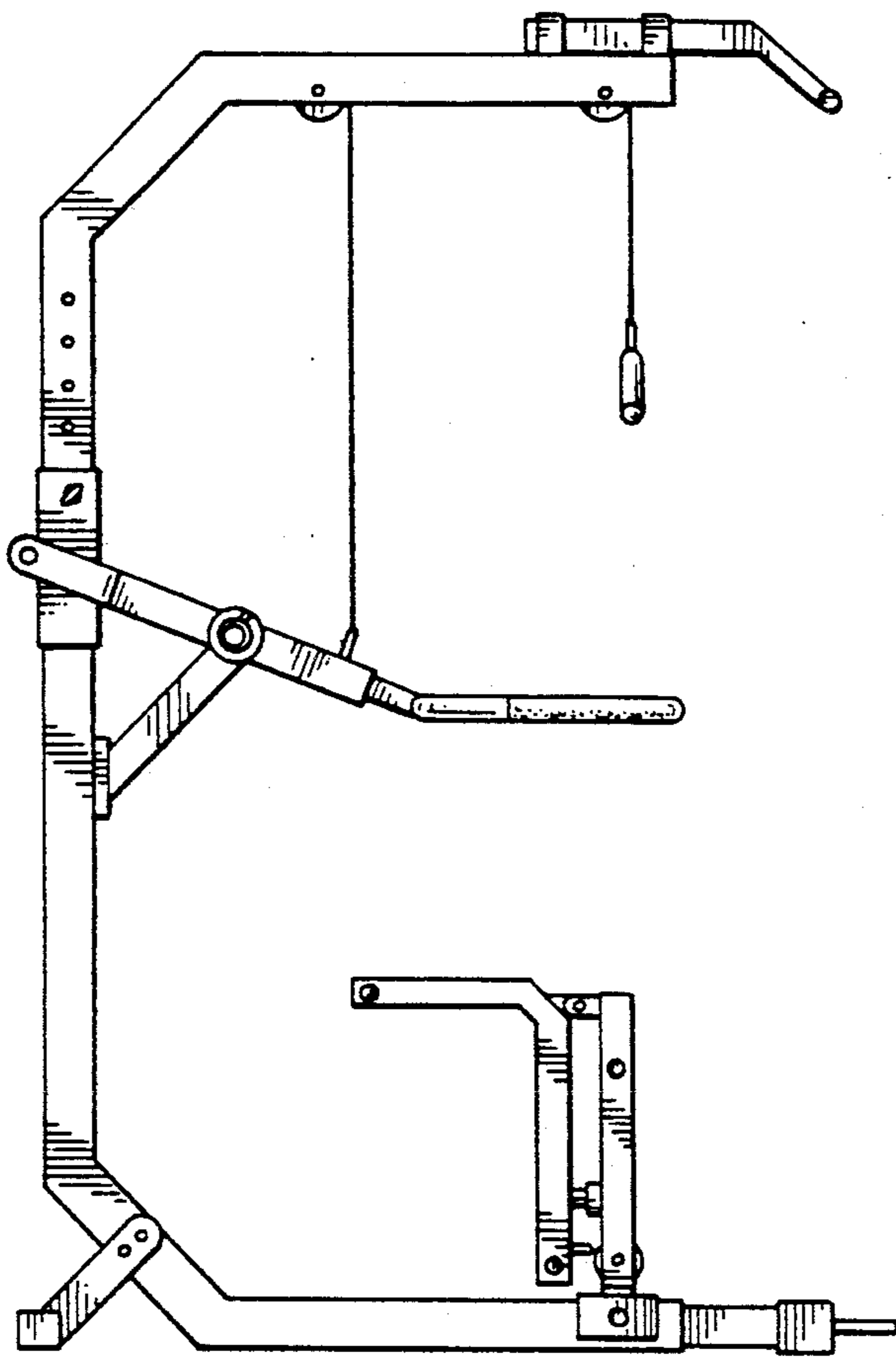


Fig. 5

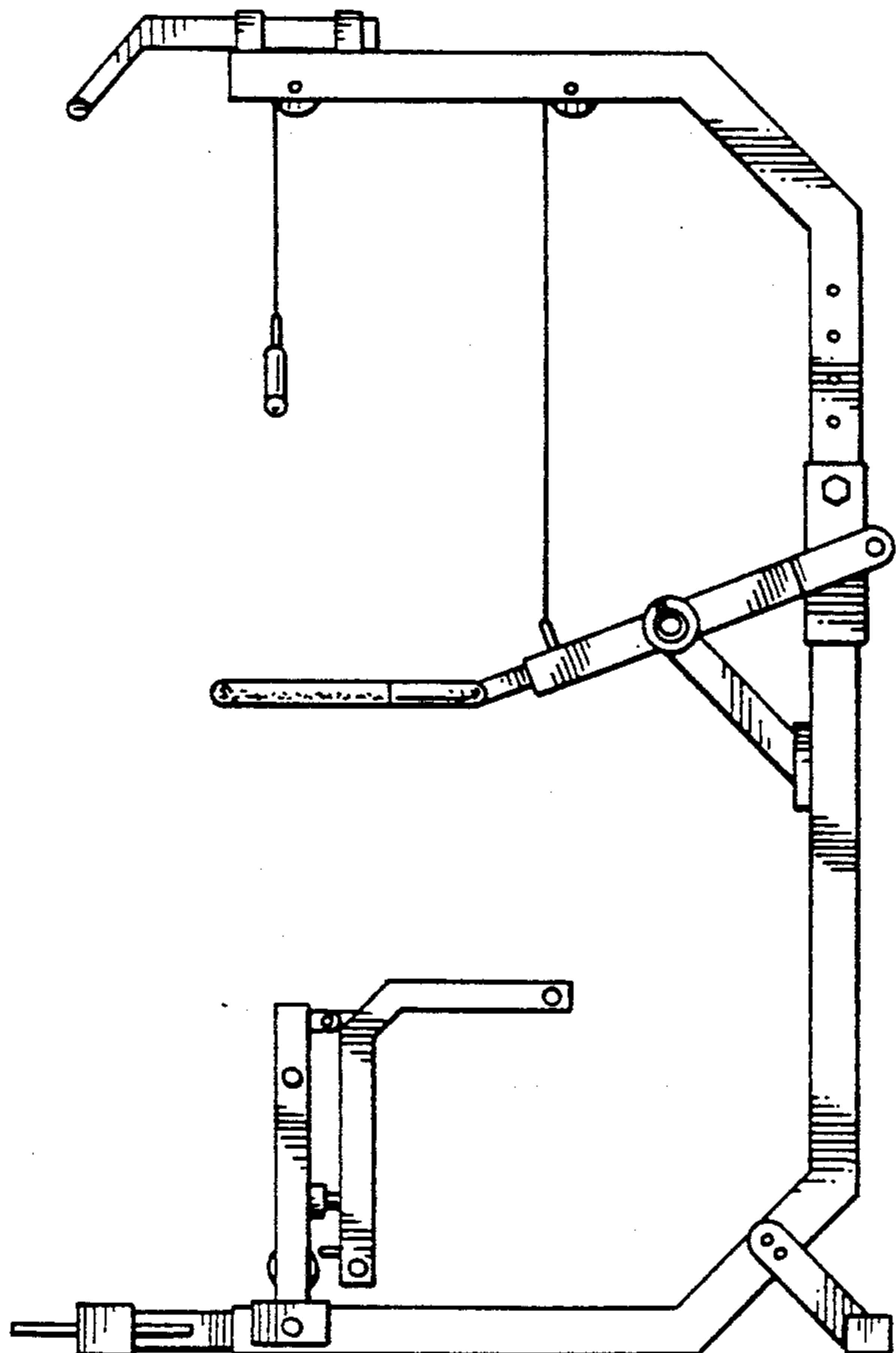


Fig. 4

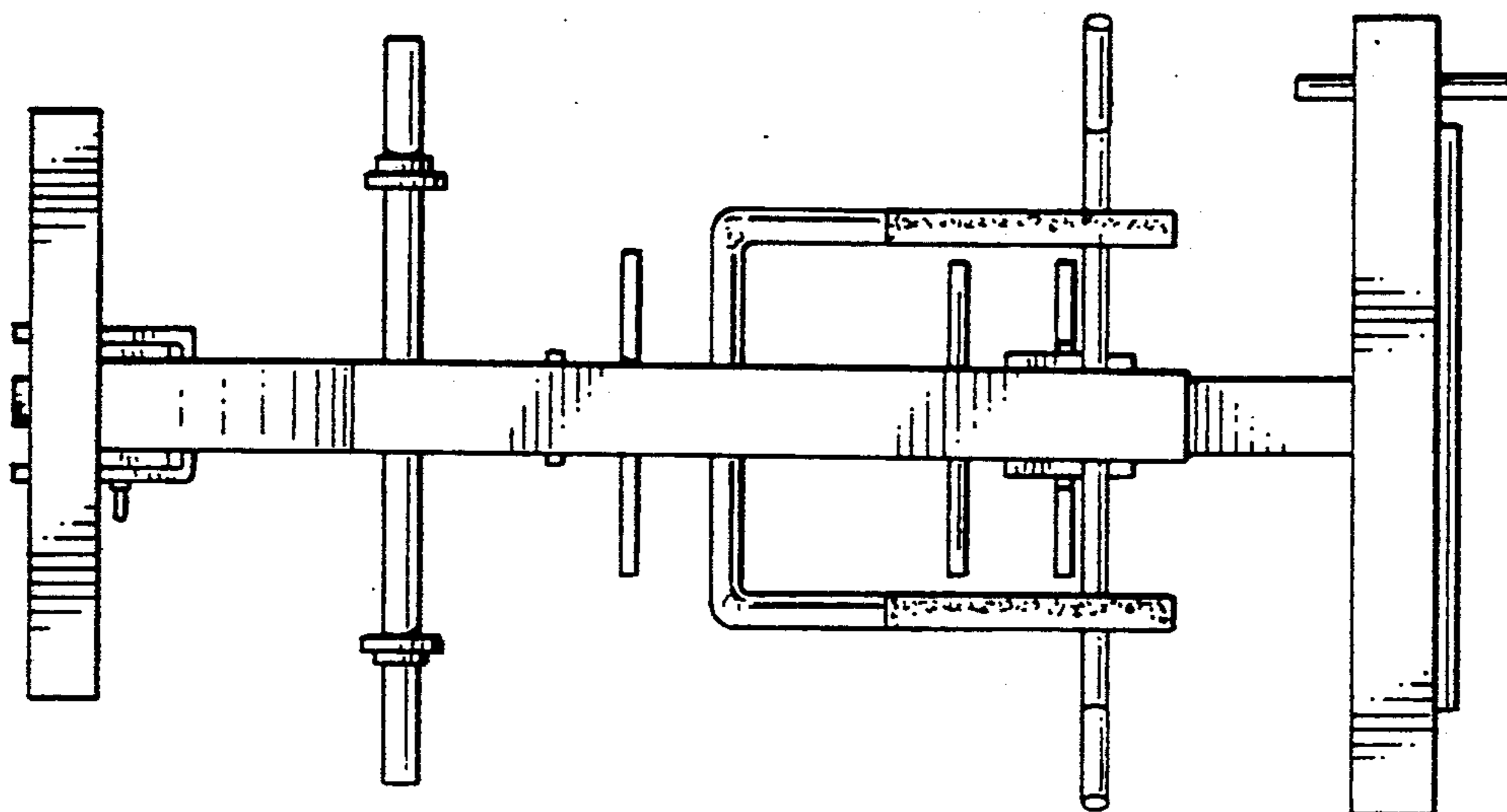


Fig. 7

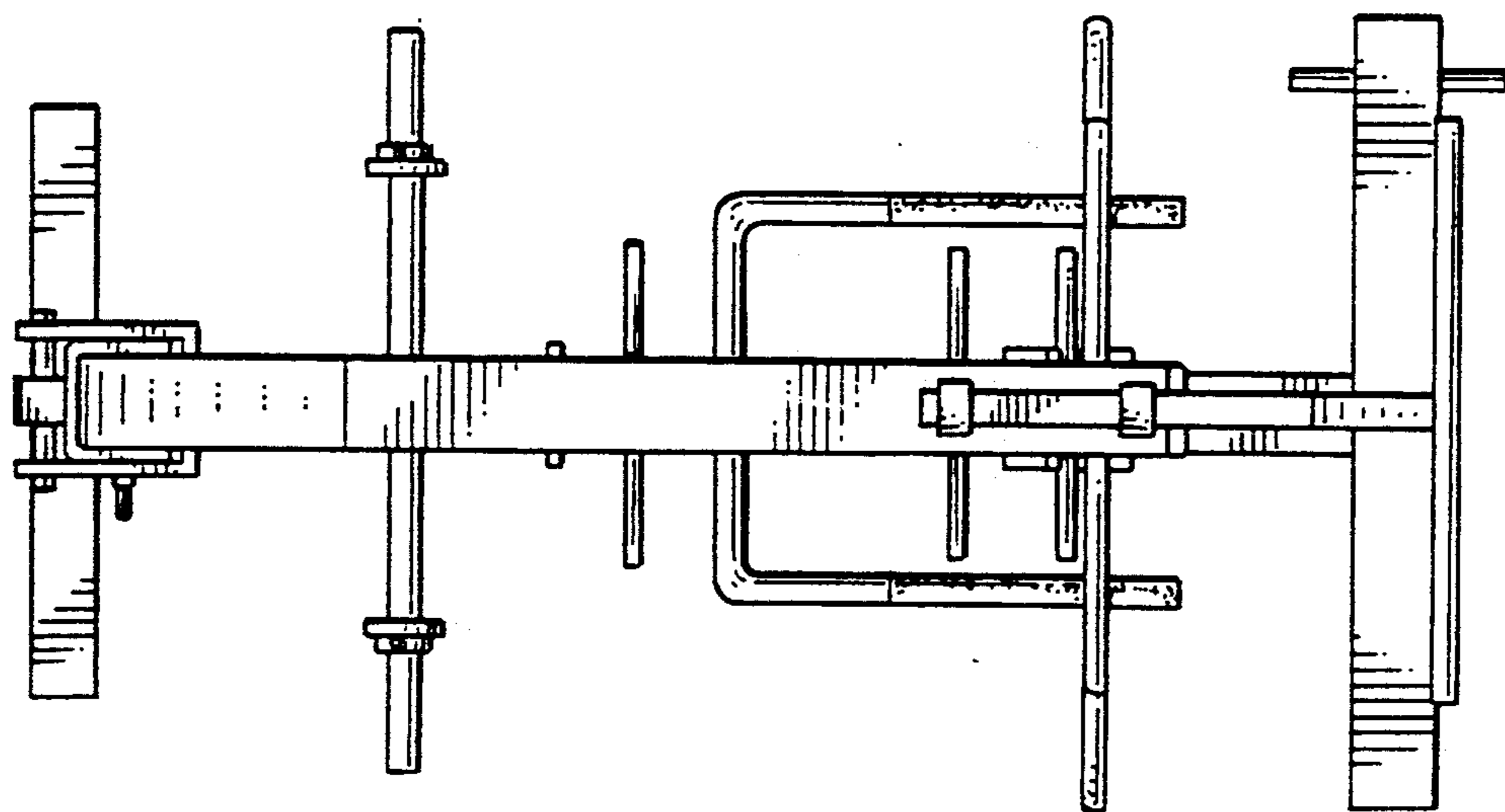


Fig. 6