

United States Patent [19]

Dunham et al.

[11] Patent Number: **Des. 321,734**

[45] Date of Patent: **** Nov. 19, 1991**

[54] **LOW IMPACT TREADMILL**

[75] Inventors: **Paul T. Dunham, Everett; David J. Littrell; Timothy O. Armstrong**, both of Bellevue, all of Wash.

[73] Assignee: **Precor Incorporated, Bothell, Wash.**

[**] Term: **14 Years**

[21] Appl. No.: **443,427**

[22] Filed: **Dec. 6, 1989**

[52] U.S. Cl. **D21/192**

[58] Field of Search **D21/191-199;**
272/69, 70, 70.3

[56] **References Cited**

U.S. PATENT DOCUMENTS

D. 289,312 4/1987 Trulaske et al. D21/192
D. 291,821 9/1987 Kiiski D21/192
D. 303,414 9/1989 Armstrong et al. D21/192
D. 303,556 9/1989 Trulaske et al. D21/192

D. 306,468 3/1990 Watterson D21/192

D. 313,826 1/1991 Birrell et al. D21/192

Primary Examiner—Charles A. Rademaker
Attorney, Agent, or Firm—Christensen, O'Connor,
Johnson & Kindness

[57] **CLAIM**

The ornamental design for a low impact treadmill, as shown and described.

DESCRIPTION

FIG. 1 is a perspective view of a low impact treadmill showing our new design;

FIG. 2 is a side elevational view thereof;

FIG. 3 is a side elevational view thereof from the opposite side shown in FIG. 2;

FIG. 4 is a rear elevational view thereof;

FIG. 5 is a front elevational view thereof, with the roller members slightly extended;

FIG. 6 is a top plan view thereof; and,

FIG. 7 is a bottom plan view thereof.

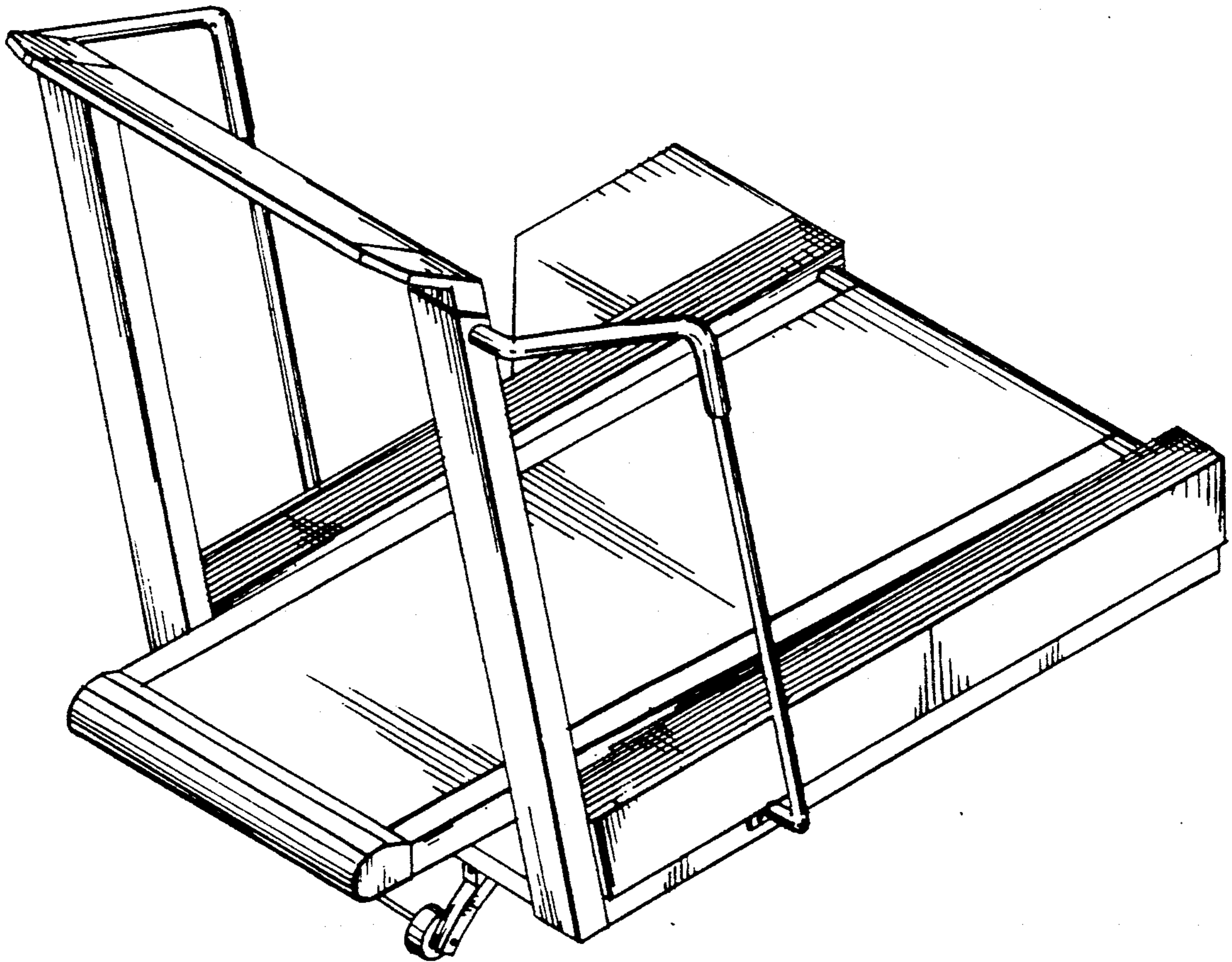


fig. 1.

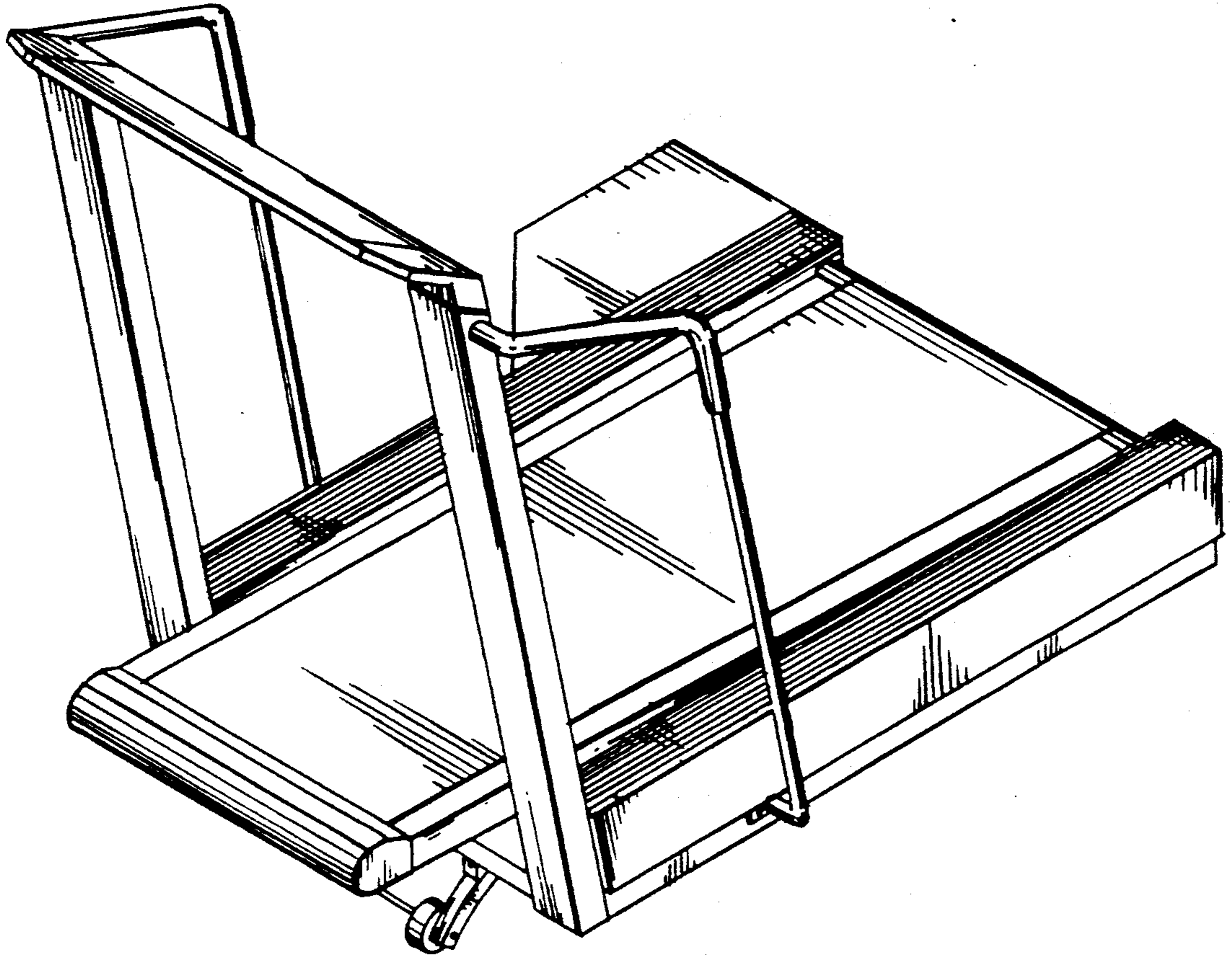
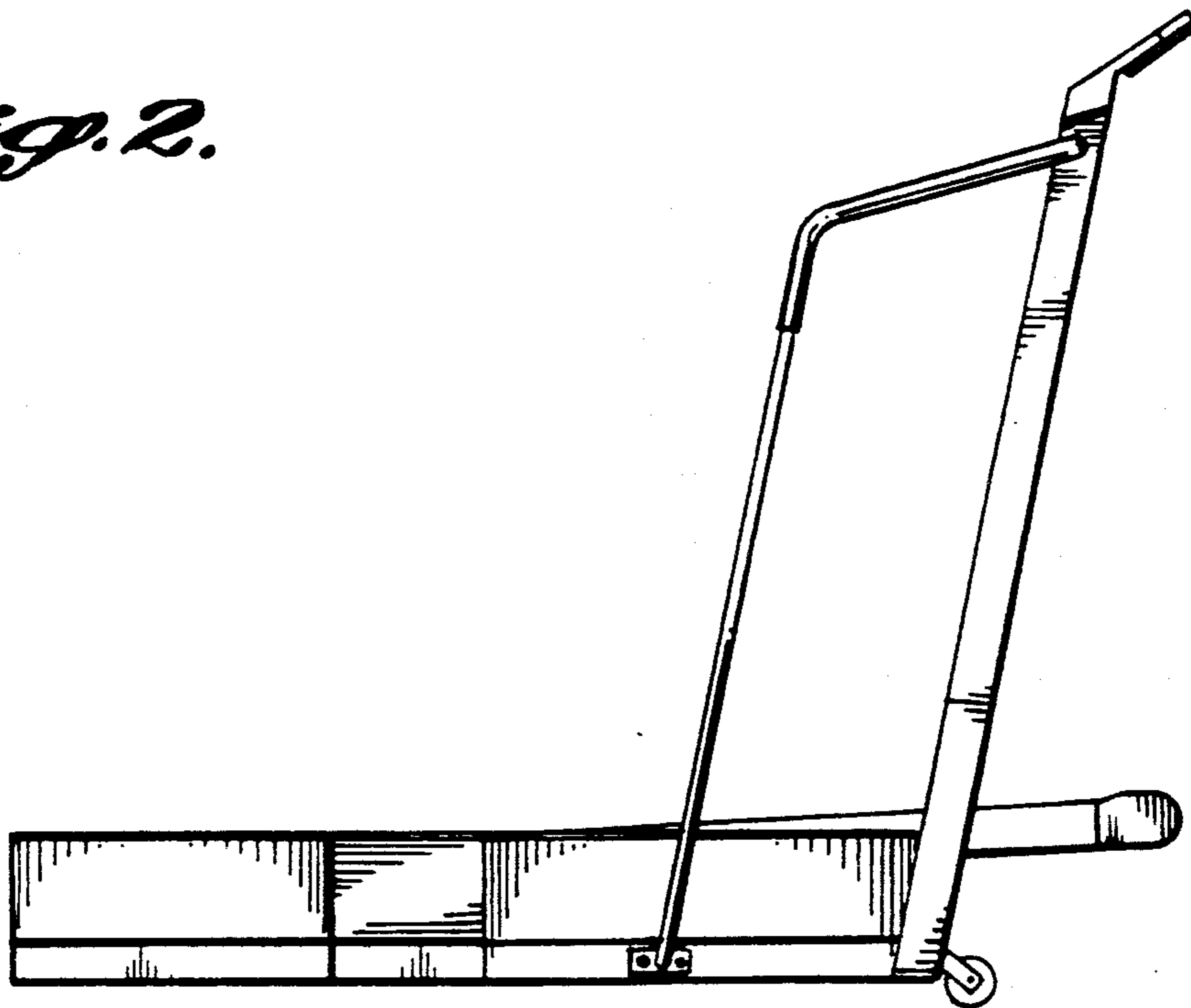


fig. 2.



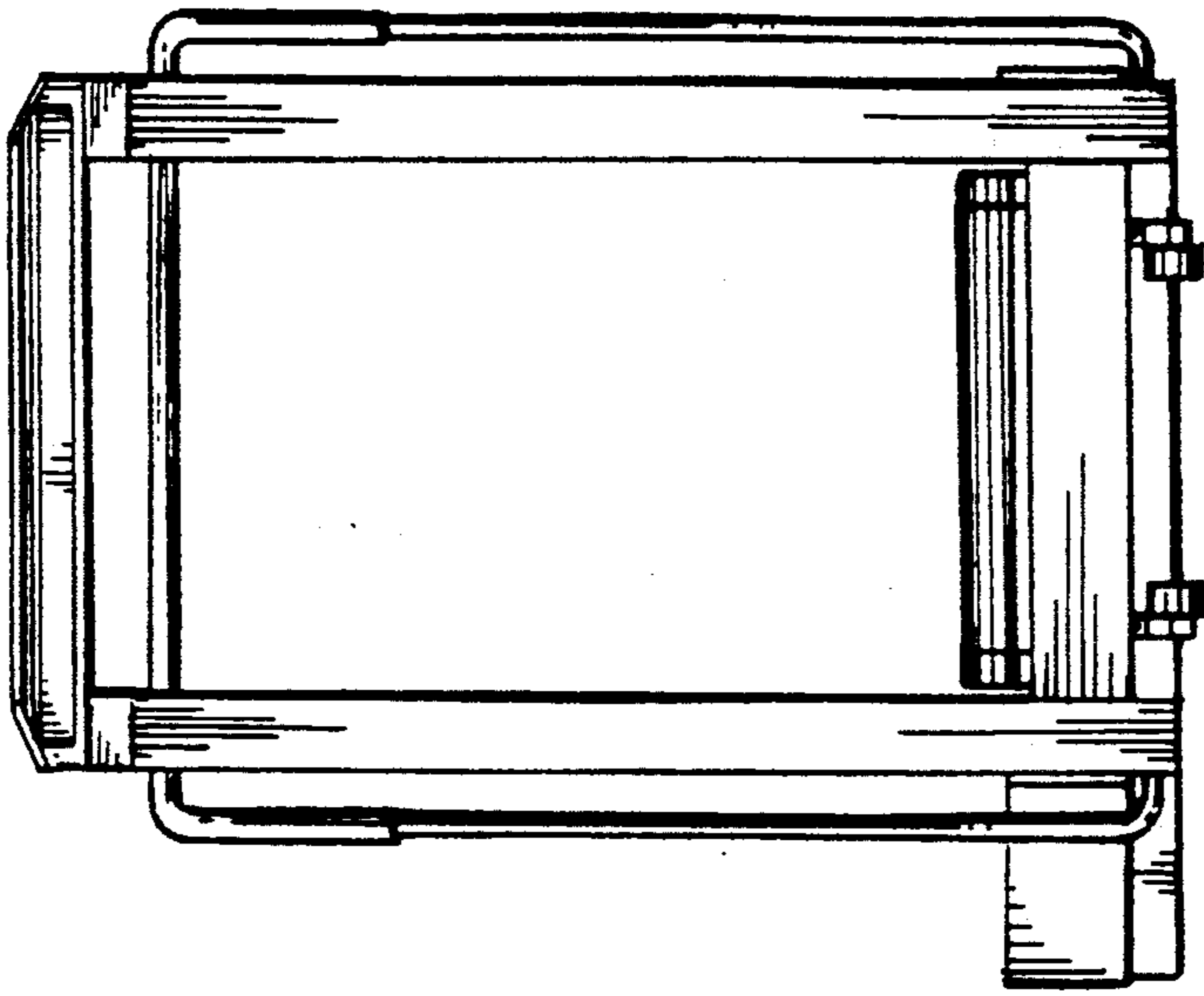


Fig. 5.

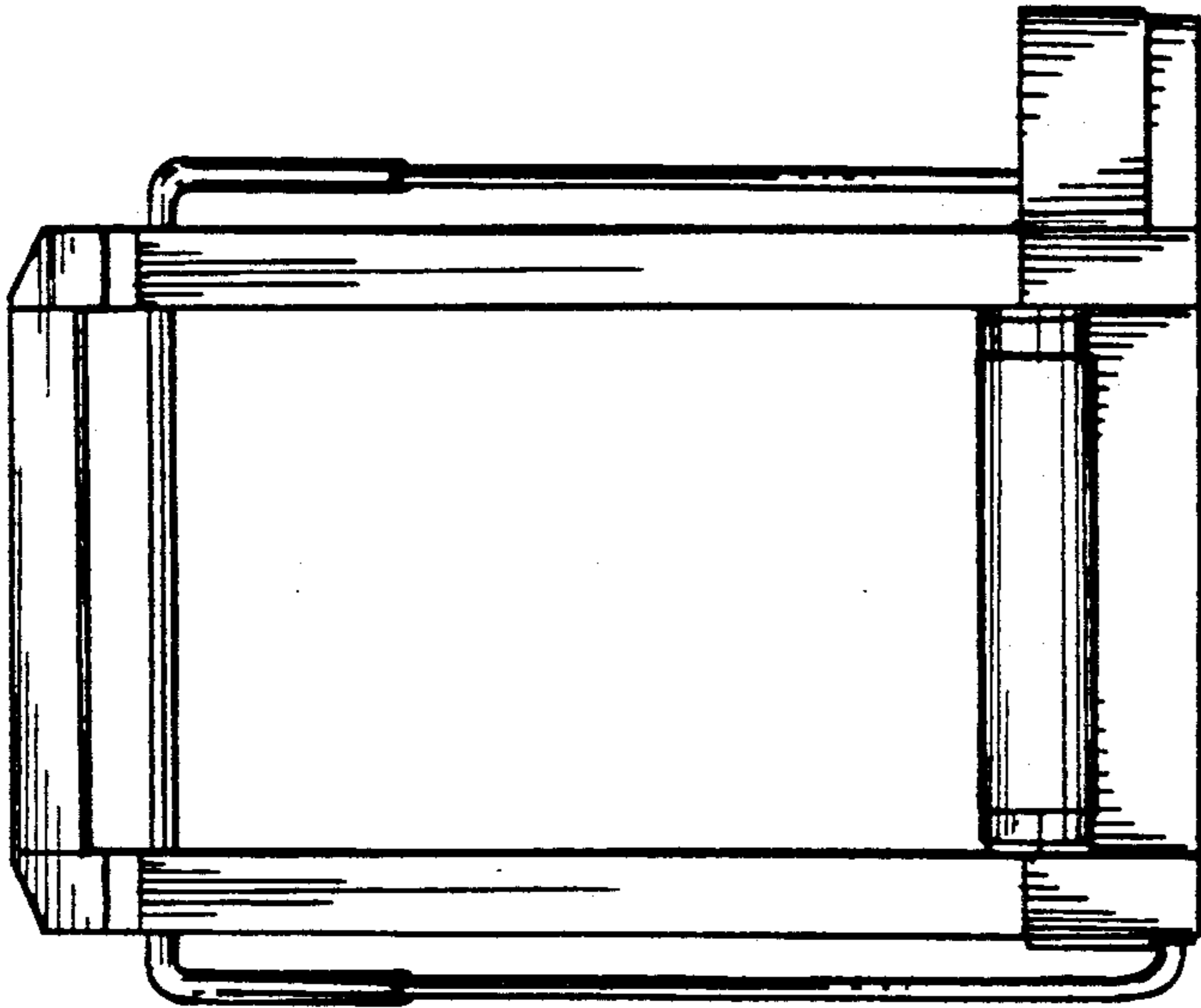
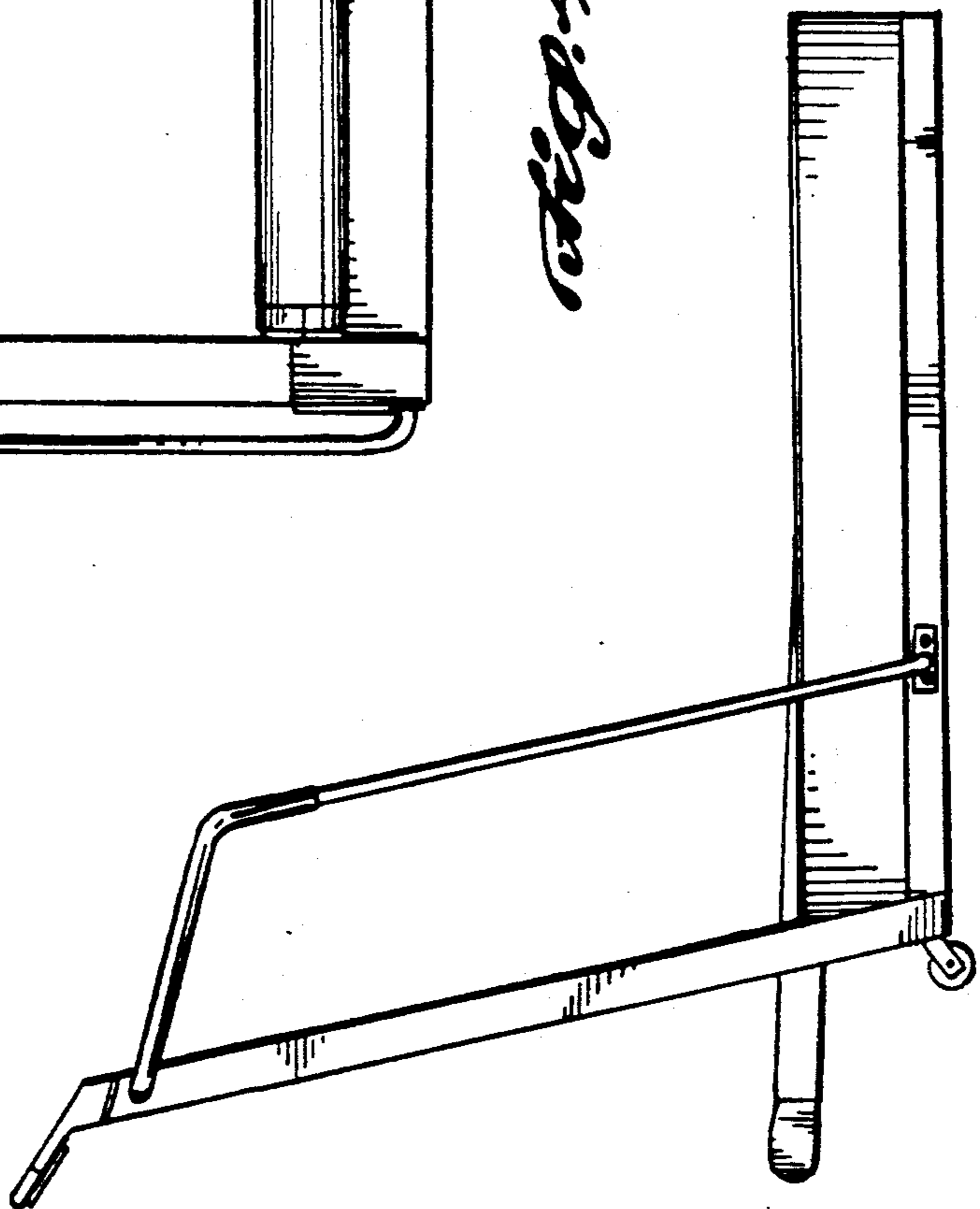


Fig. 4.

Fig. 3.



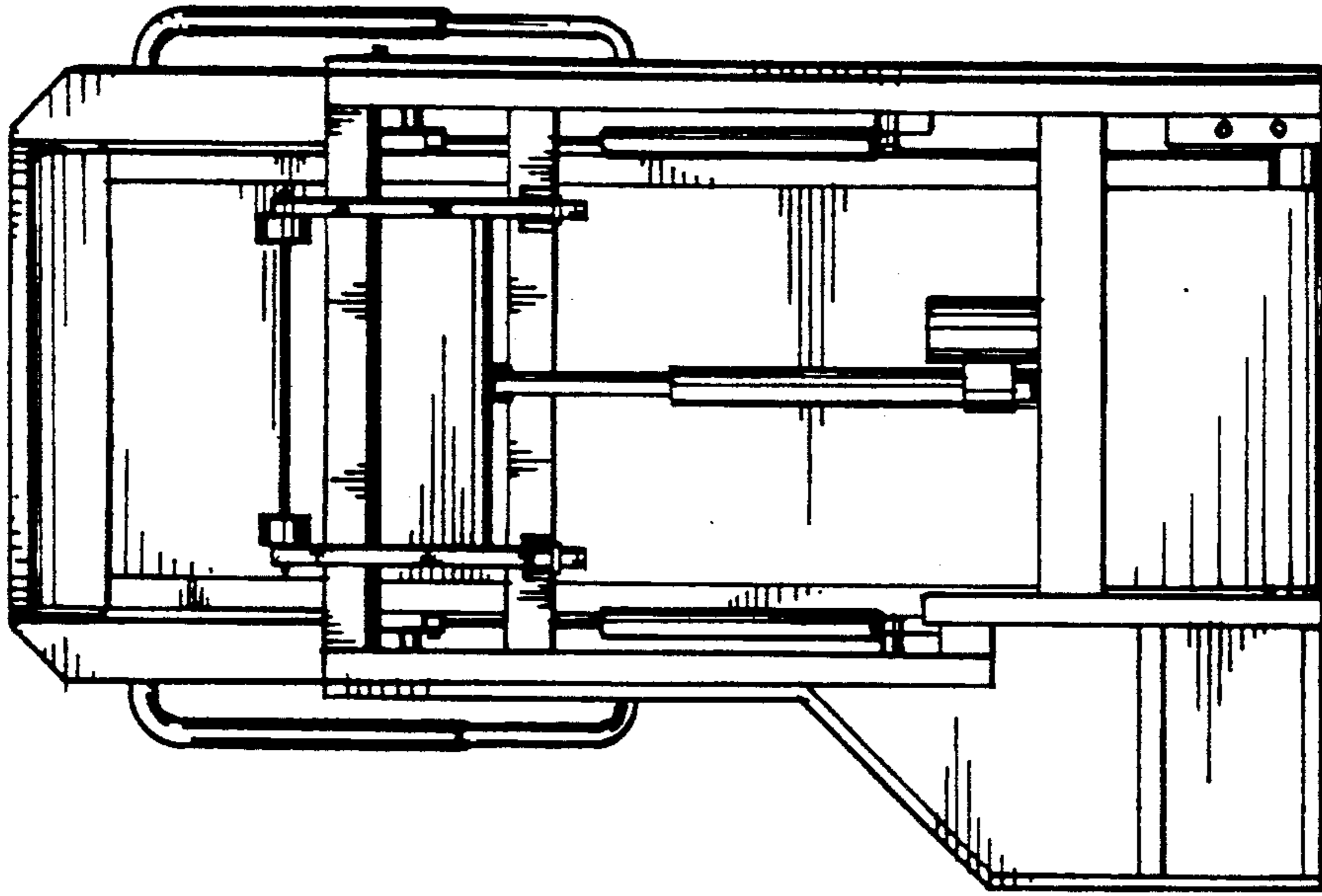


Fig. 7.

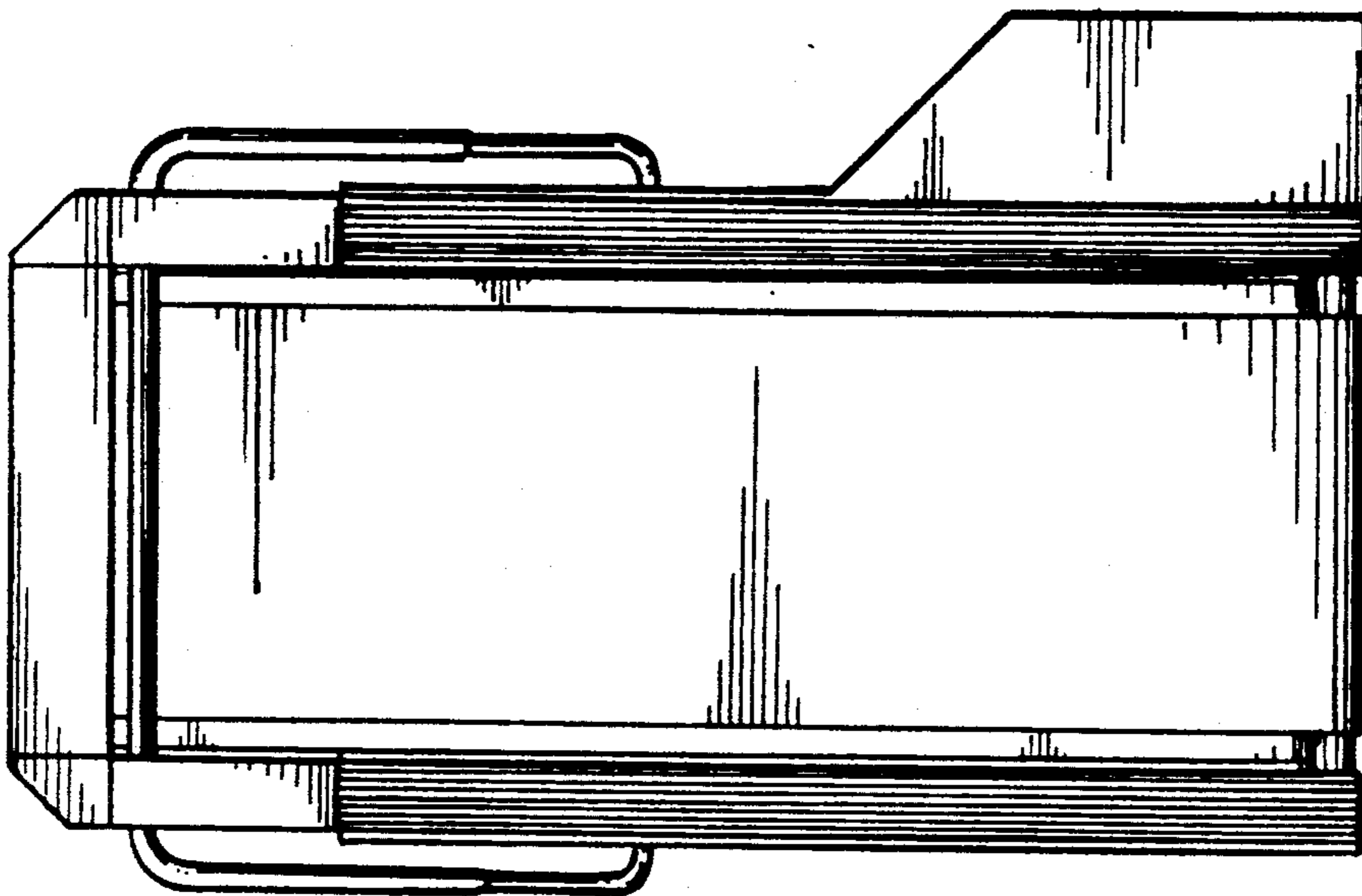


Fig. 6.

UNITED STATES PATENT AND TRADEMARK OFFICE
CERTIFICATE OF CORRECTION

PATENT NO. : Des. 321,734

Page 1 of 2

DATED : November 19, 1991

INVENTOR(S) : Paul T. Dunham, David J. Littrell, Timothy O. Armstrong

It is certified that error appears in the above-identified patent and that said Letters Patent is hereby corrected as shown below:

On the title page:

Under references cited, please add the following:

U.S. PATENT DOCUMENTS

D.211,801	7/30/68	Quinton	D34/5
D.273,029	03/13/84	Kullenberg	D21/192
D.280,002	08/06/85	Smith	D21/192
D.283,239	4/1/86	Smith et al.	D21/192
D.289,668	5/5/87	Gremonprez et al.	D21/192
D.299,258	1/3/89	De Lorenzo	D21/192
D.304,849	11/28/89	Watterson	D21/192
3,628,654	12/21/71	Haracz	198/179
4,591,147	5/27/86	Smith et al.	272/69
4,664,371	5/12/87	Viander	272/69

FOREIGN PATENT DOCUMENTS

WO81/01960 7/23/81 PCT 63/23-06

UNITED STATES PATENT AND TRADEMARK OFFICE
CERTIFICATE OF CORRECTION

PATENT NO. : Des. 321,734
DATED : November 19, 1991
INVENTOR(S) : Paul T. Dunham, et al

Page 2 of 2

It is certified that error appears in the above-identified patent and that said Letters Patent is hereby corrected as shown below: **On the title page:**

OTHER PUBLICATIONS

MacLevy Brochure
Delo Treadmill Brochure
Bodyguard Photo

**Signed and Sealed this
Twenty-seventh Day of April, 1993**

Attest:

MICHAEL K. KIRK

Attesting Officer

Acting Commissioner of Patents and Trademarks