

[54] TOY TRUMPET

[75] Inventor: Craig J. McElhaney, East Aurora,  
N.Y.

[73] Assignee: The Quaker Oats Company, Chicago,  
Ill.

[\*\*] Term: 14 Years

[21] Appl. No.: 425,973

[22] Filed: Oct. 23, 1989

[52] U.S. Cl. .... D21/64

[58] Field of Search ..... D21/59, 63, 64, 109;  
D17/11; 446/397, 408

[56] References Cited

U.S. PATENT DOCUMENTS

D. 41,613 7/1911 Hurtt ..... D17/11

59,204 10/1866 Fiske ..... D17/11  
D. 165,946 2/1952 Thompson ..... D21/64  
D. 251,926 5/1979 Satten ..... D17/11  
D. 273,404 4/1984 Takahashi ..... D17/11

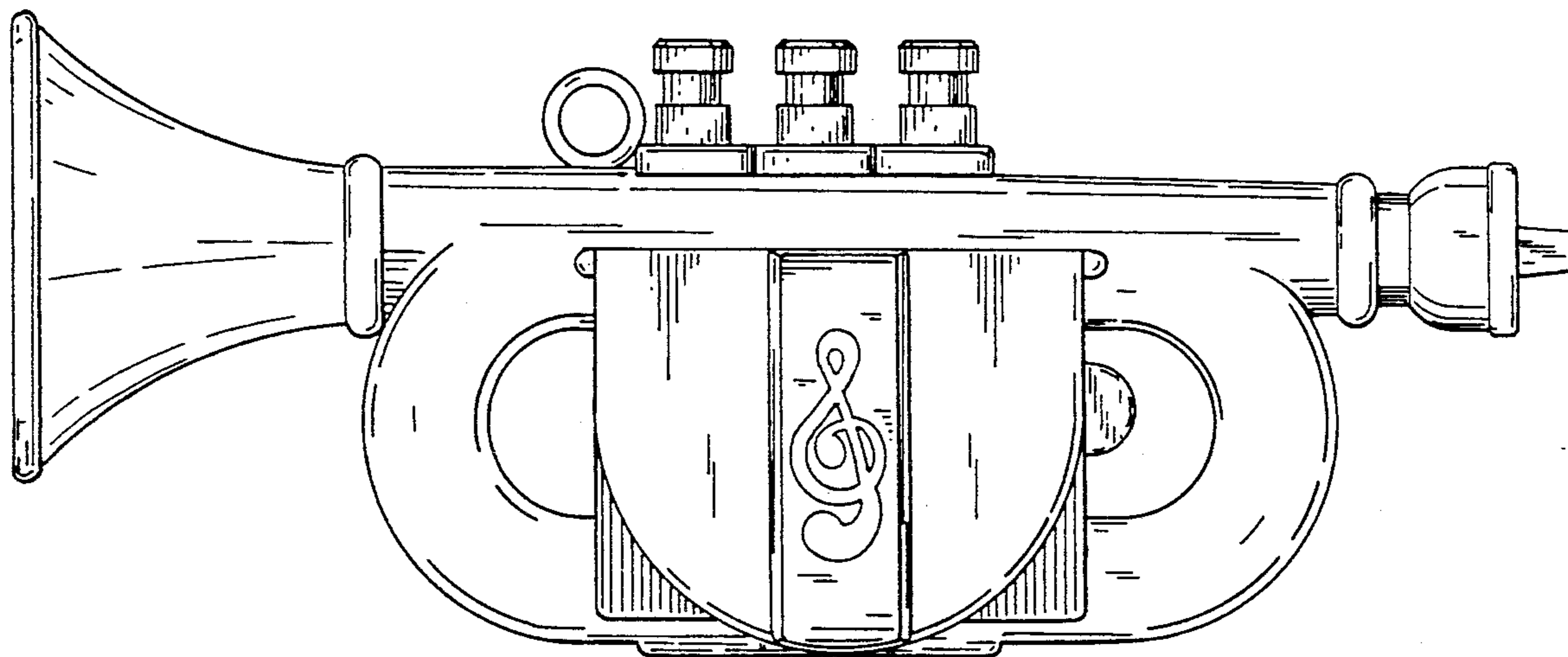
Primary Examiner—Charles A. Rademaker  
Attorney, Agent, or Firm—Cumpston & Shaw

[57] CLAIM

The ornamental design for a toy trumpet, as shown and described.

DESCRIPTION

FIG. 1 is a left side elevational view of a toy trumpet showing my new design;  
FIG. 2 is a right side elevational view thereof;  
FIG. 3 is a front elevational view thereof;  
FIG. 4 is a rear elevational view thereof;  
FIG. 5 is a top plan view thereof; and  
FIG. 6 is a bottom plan view thereof.



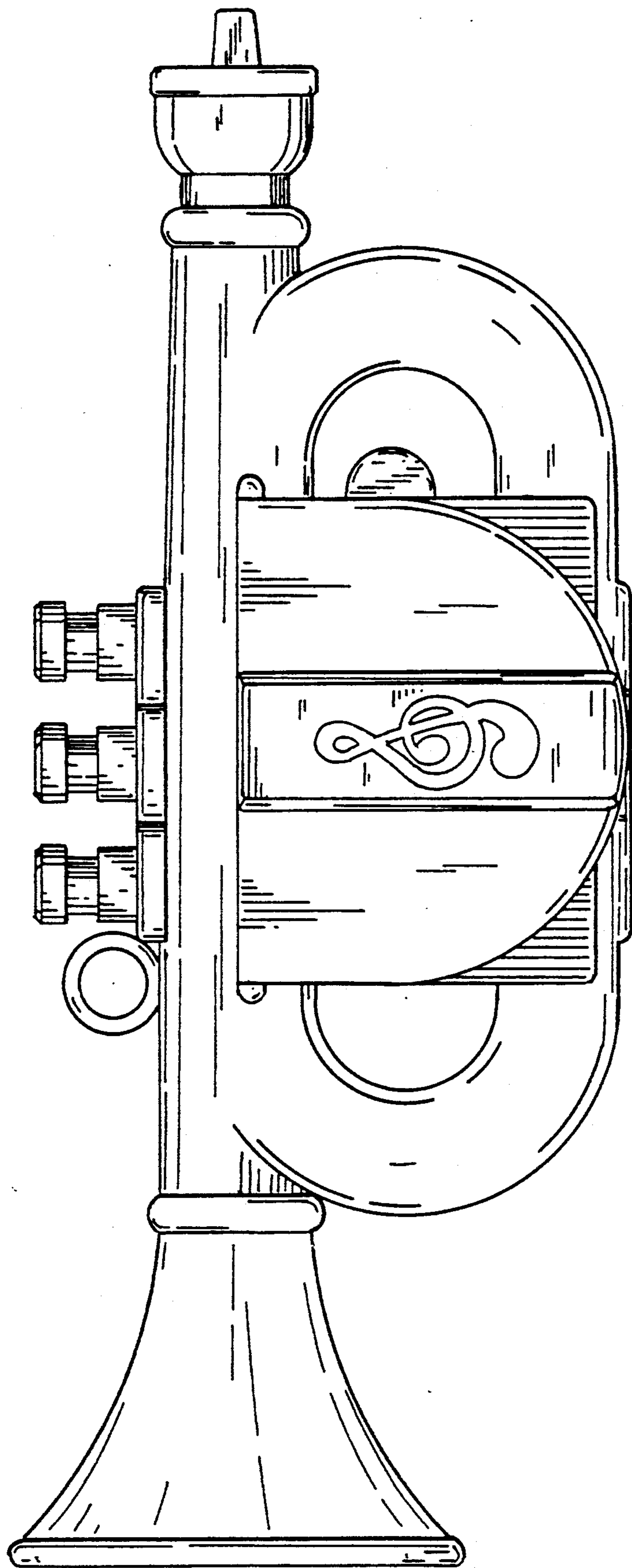


FIG. 1

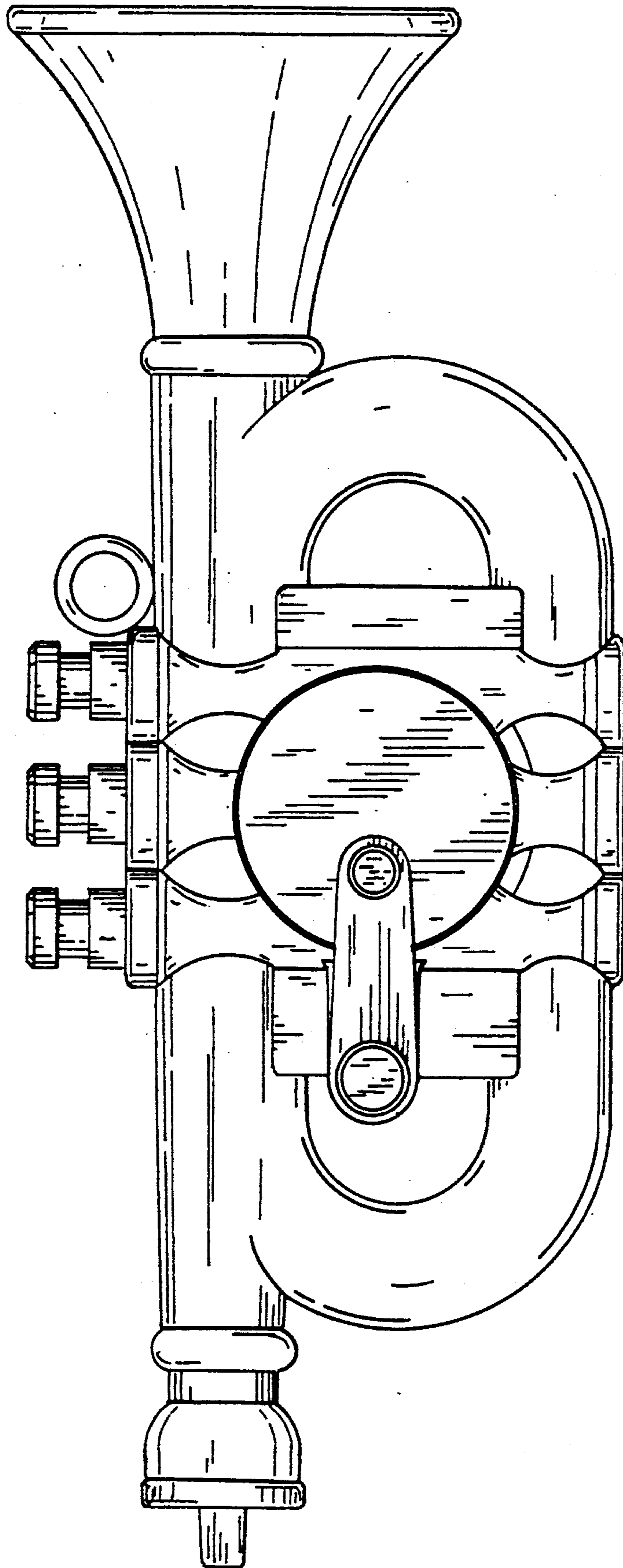


FIG. 2

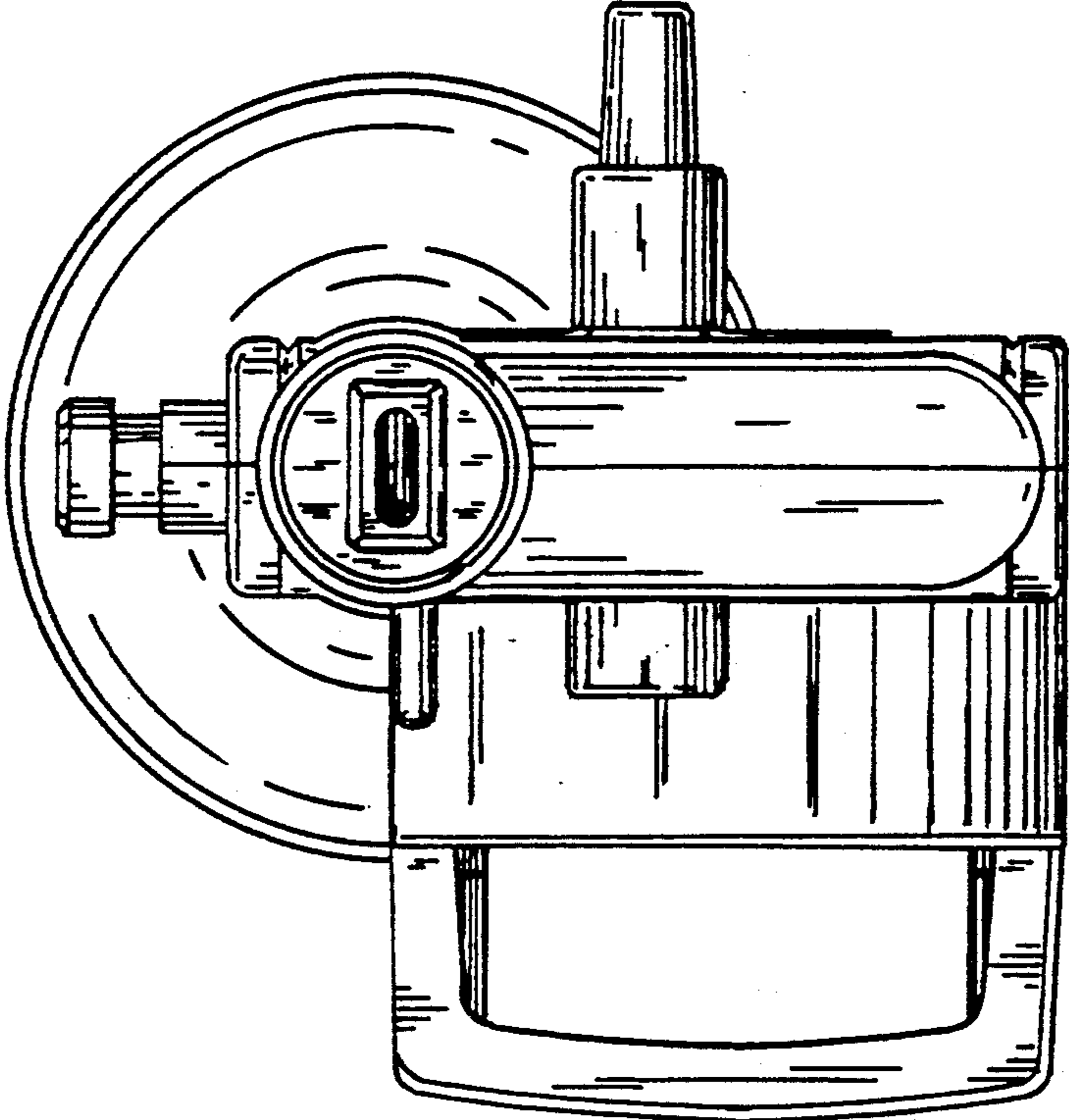


FIG. 4

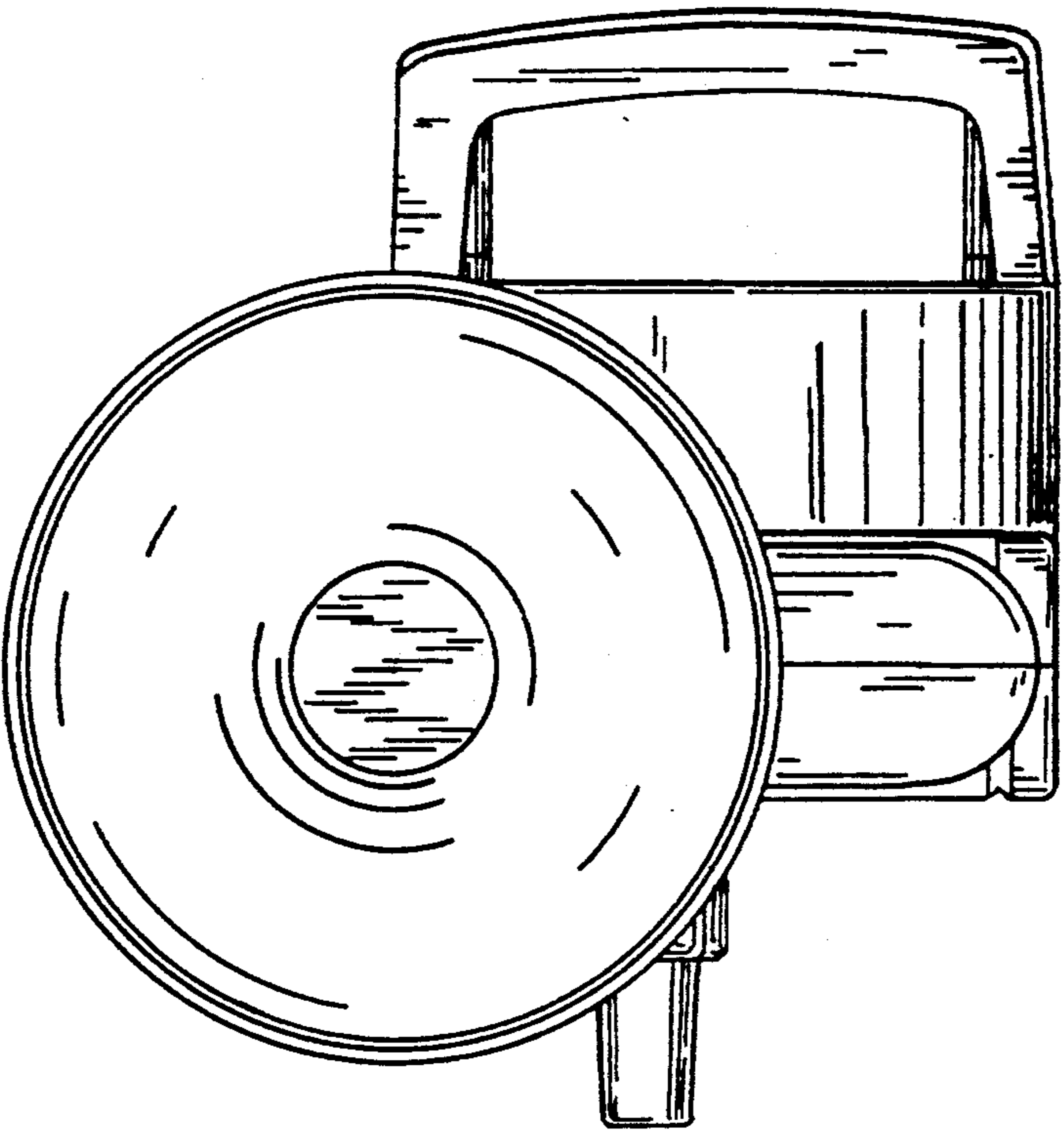


FIG. 3

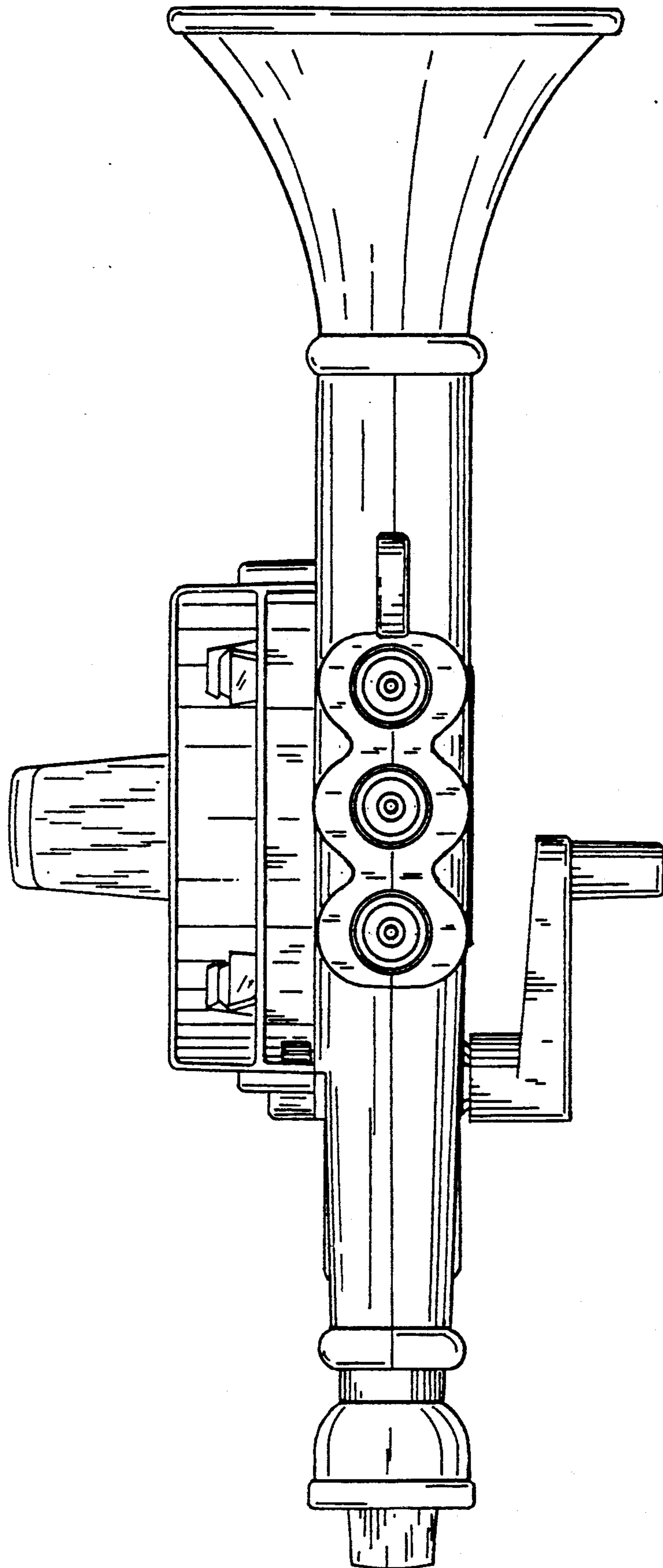


FIG. 5



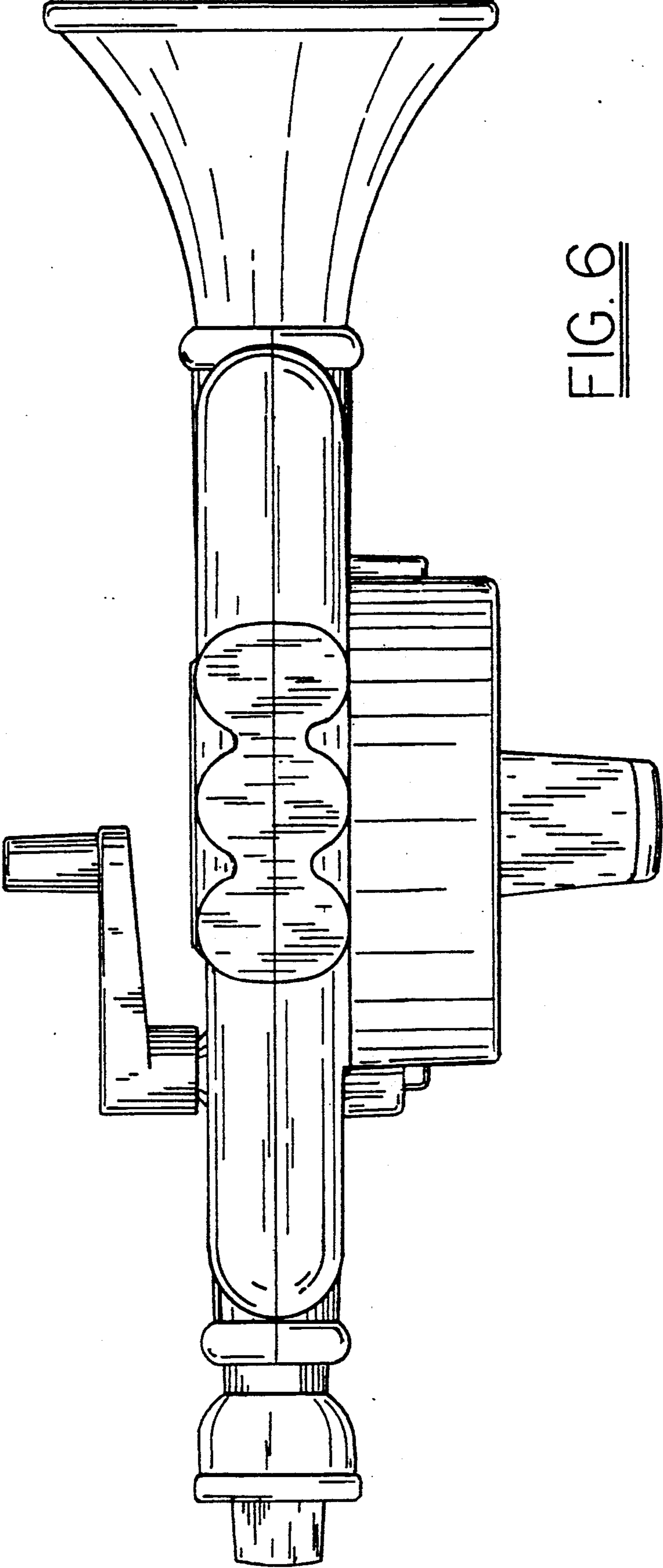


FIG. 6