

[54] MUSICAL TOY

D. 317,792 6/1991 Takahashi D21/64

[75] Inventor: Stephen D. Wehmeyer, Cincinnati, Ohio

[73] Assignee: The Quaker Oats Company, Chicago, Ill.

[**] Term: 14 Years

[21] Appl. No.: 421,695

[22] Filed: Oct. 16, 1989

[52] U.S. Cl. D21/64

[58] Field of Search D21/59, 63, 64, 65; D17/7, 10, 11; 446/227, 264, 267, 397, 408, 418, 419, 420, 421, 422; 84/420, 423 R

[56] References Cited

U.S. PATENT DOCUMENTS

- D. 268,038 2/1983 Appel et al. D21/64
- D. 315,178 5/1991 Takahashi et al. D21/64

OTHER PUBLICATIONS

Playthings, 9-1987, p. 15, Toy Rattle at bottom right corner of page—near center.

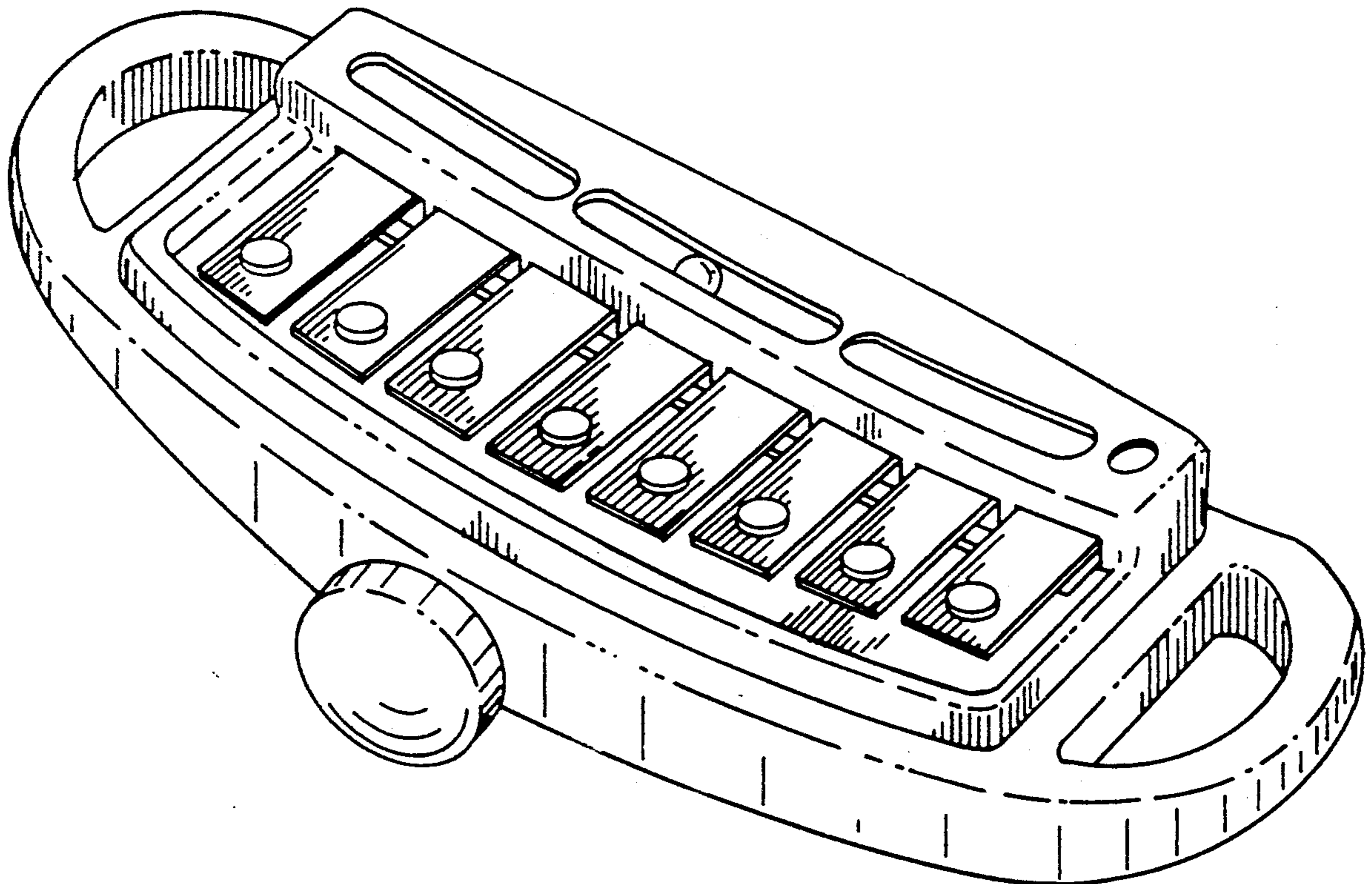
Primary Examiner—Charles A. Rademaker
Attorney, Agent, or Firm—Cumpston & Shaw

[57] CLAIM

The ornamental design for a musical toy, as shown and described.

DESCRIPTION

FIG. 1 is a top, front left side perspective view of a musical toy showing my new design; FIG. 2 is a top plan view thereof; FIG. 3 is a bottom plan view thereof; FIG. 4 is a left side elevational view thereof; FIG. 5 is a right side elevational view thereof; FIG. 6 is a front elevational view thereof; and FIG. 7 is a rear elevational view thereof.



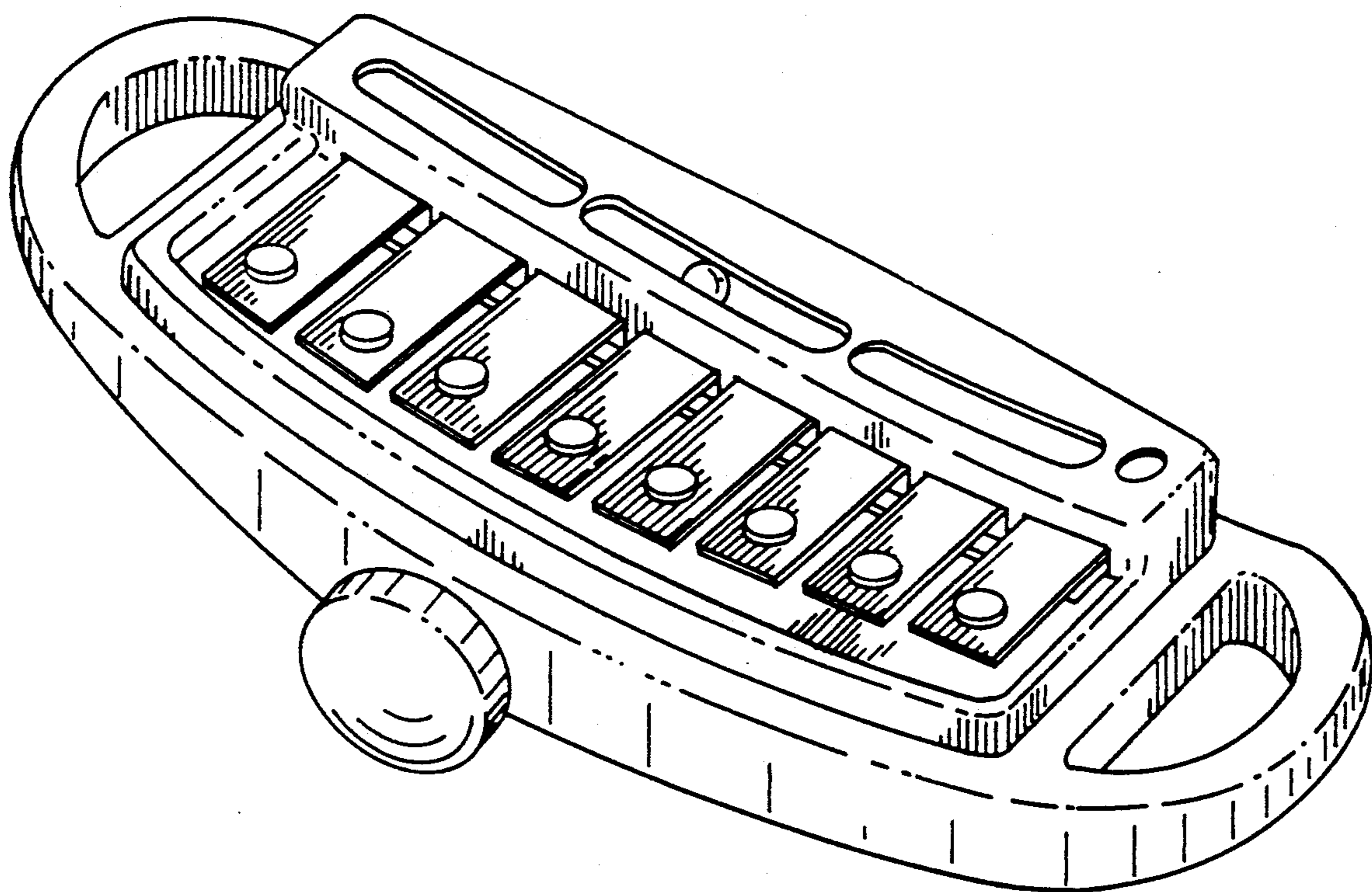


FIG. 1

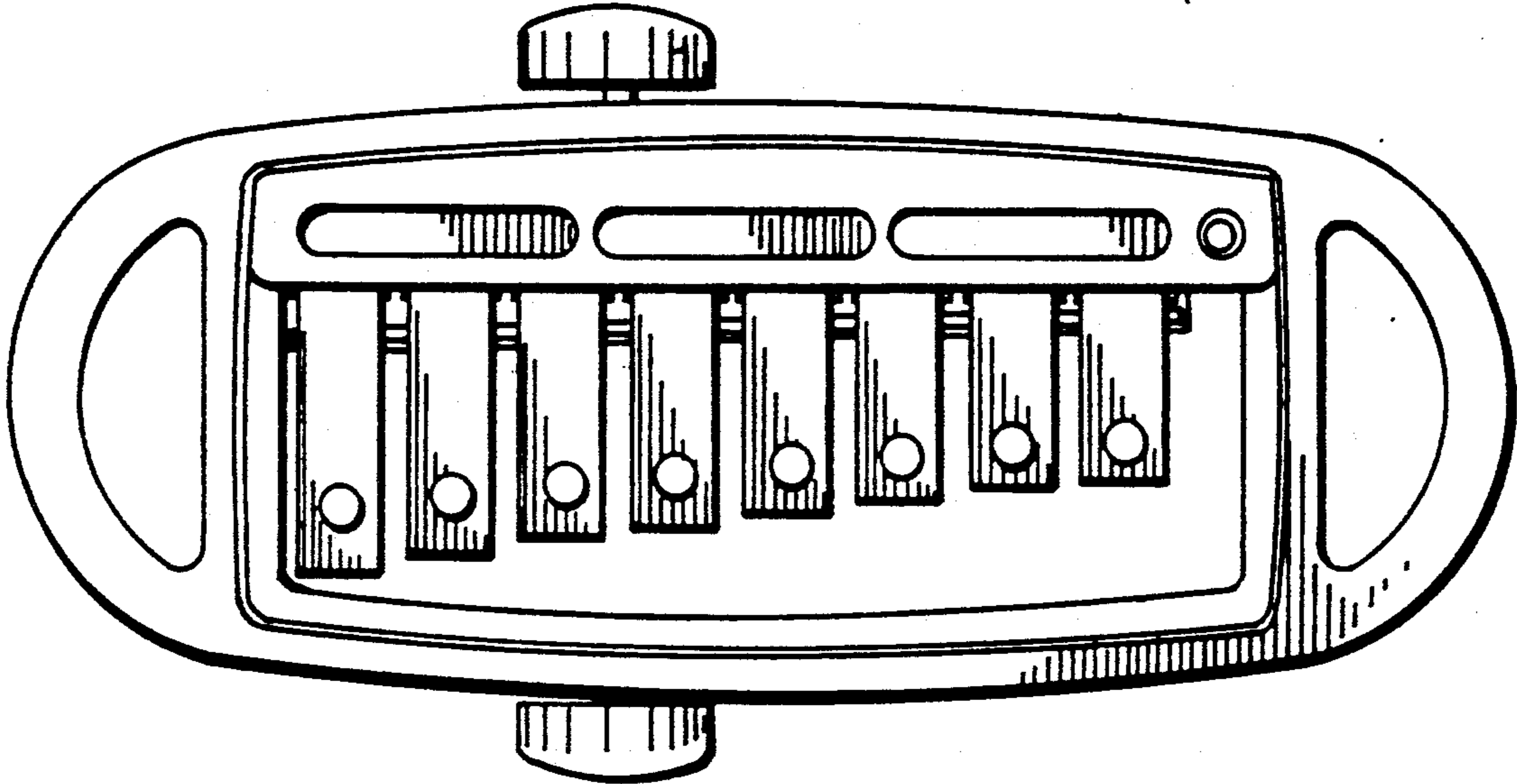


FIG. 2

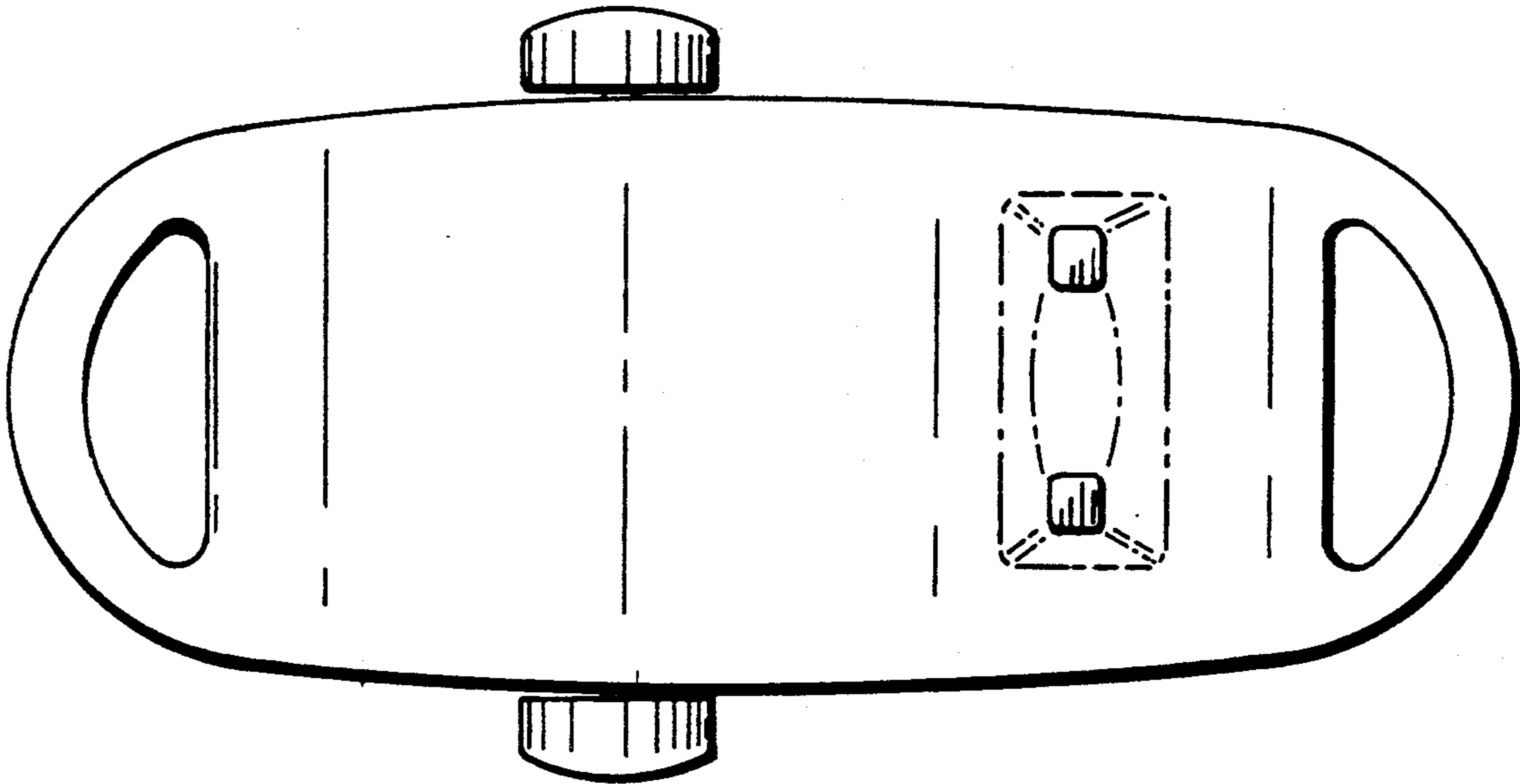


FIG. 3

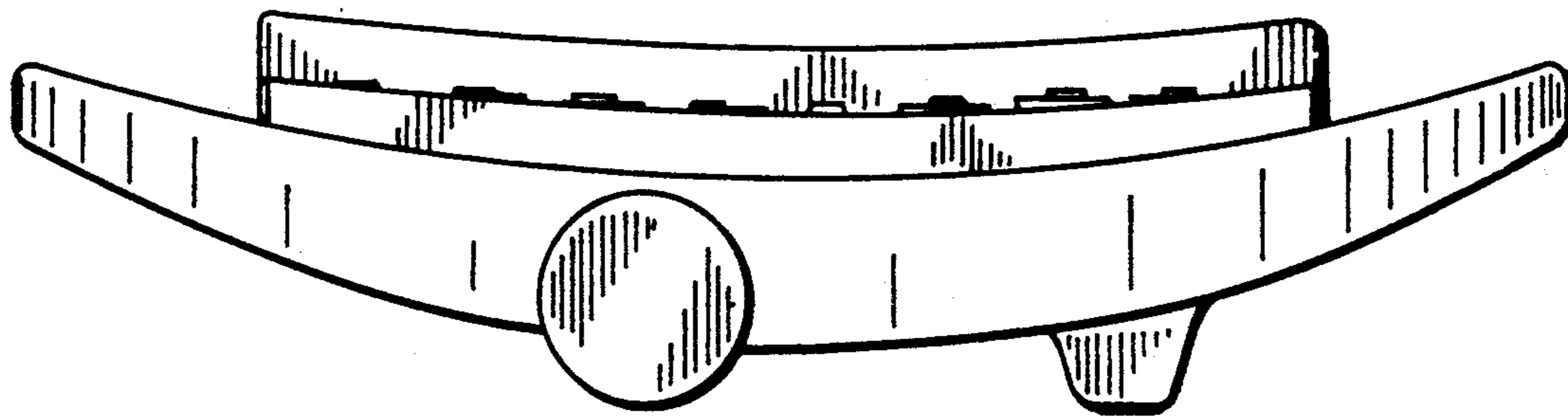


FIG. 4

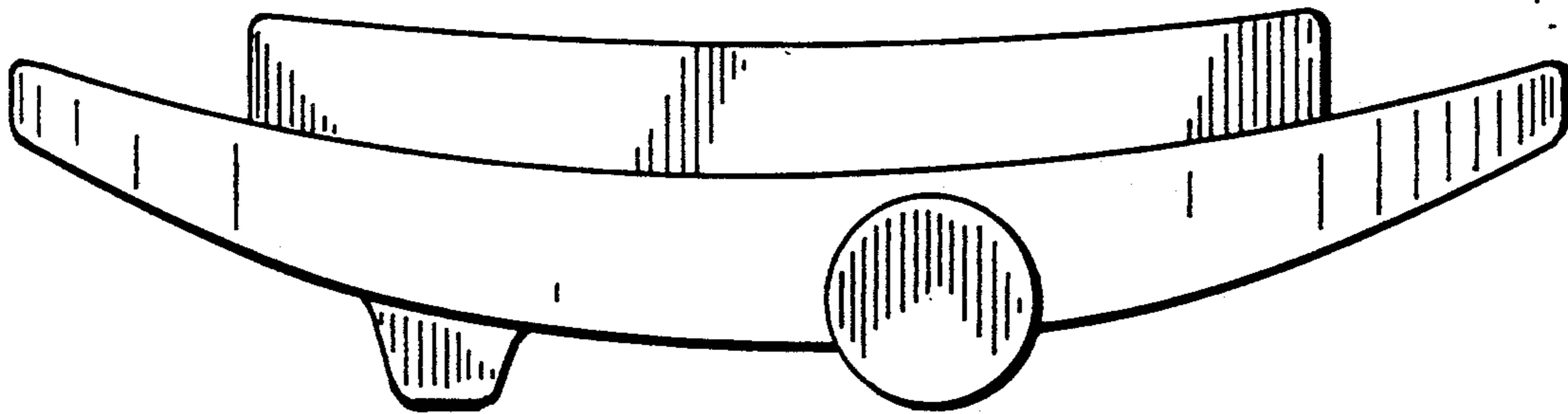


FIG. 5

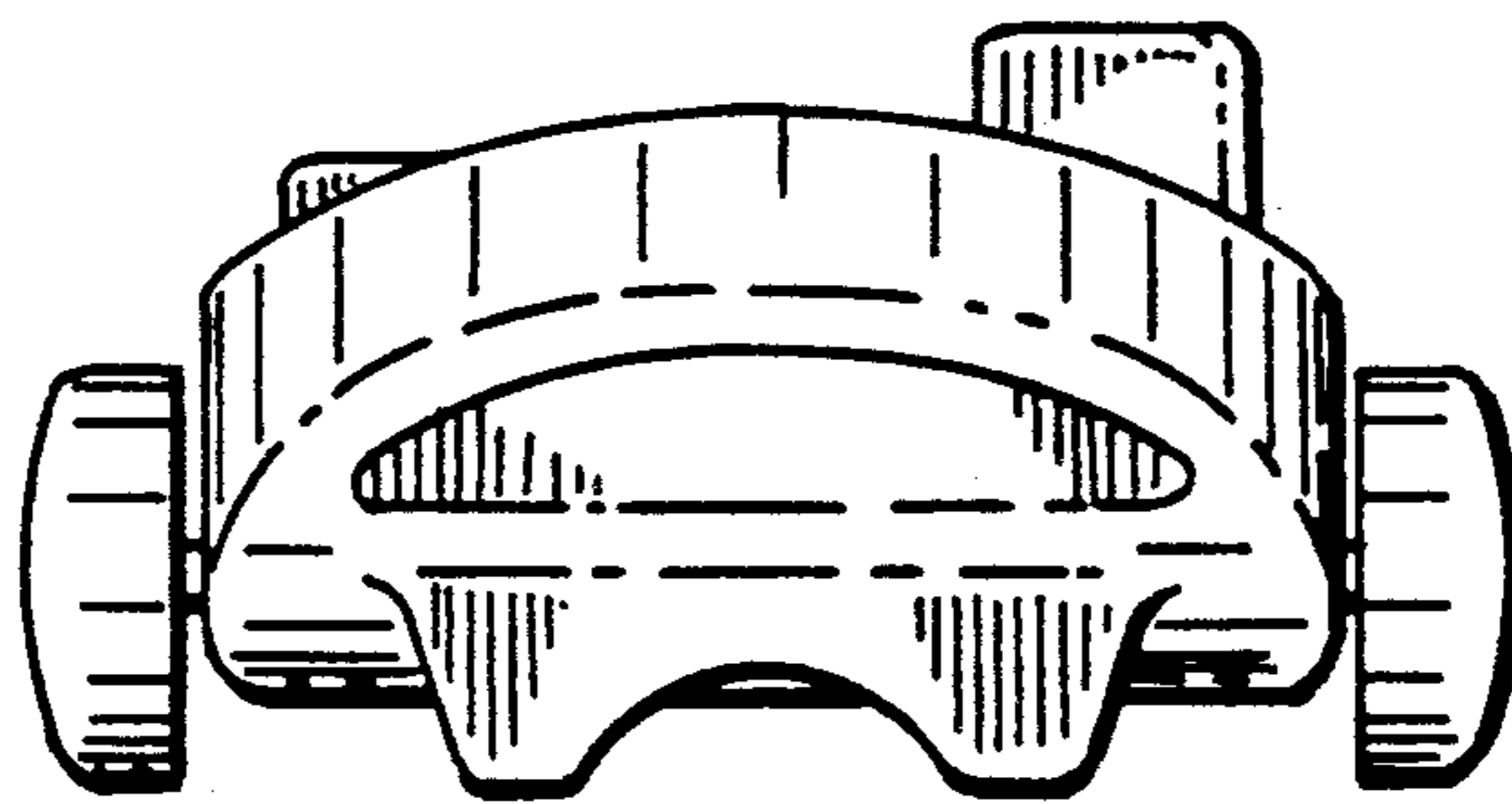


FIG. 6

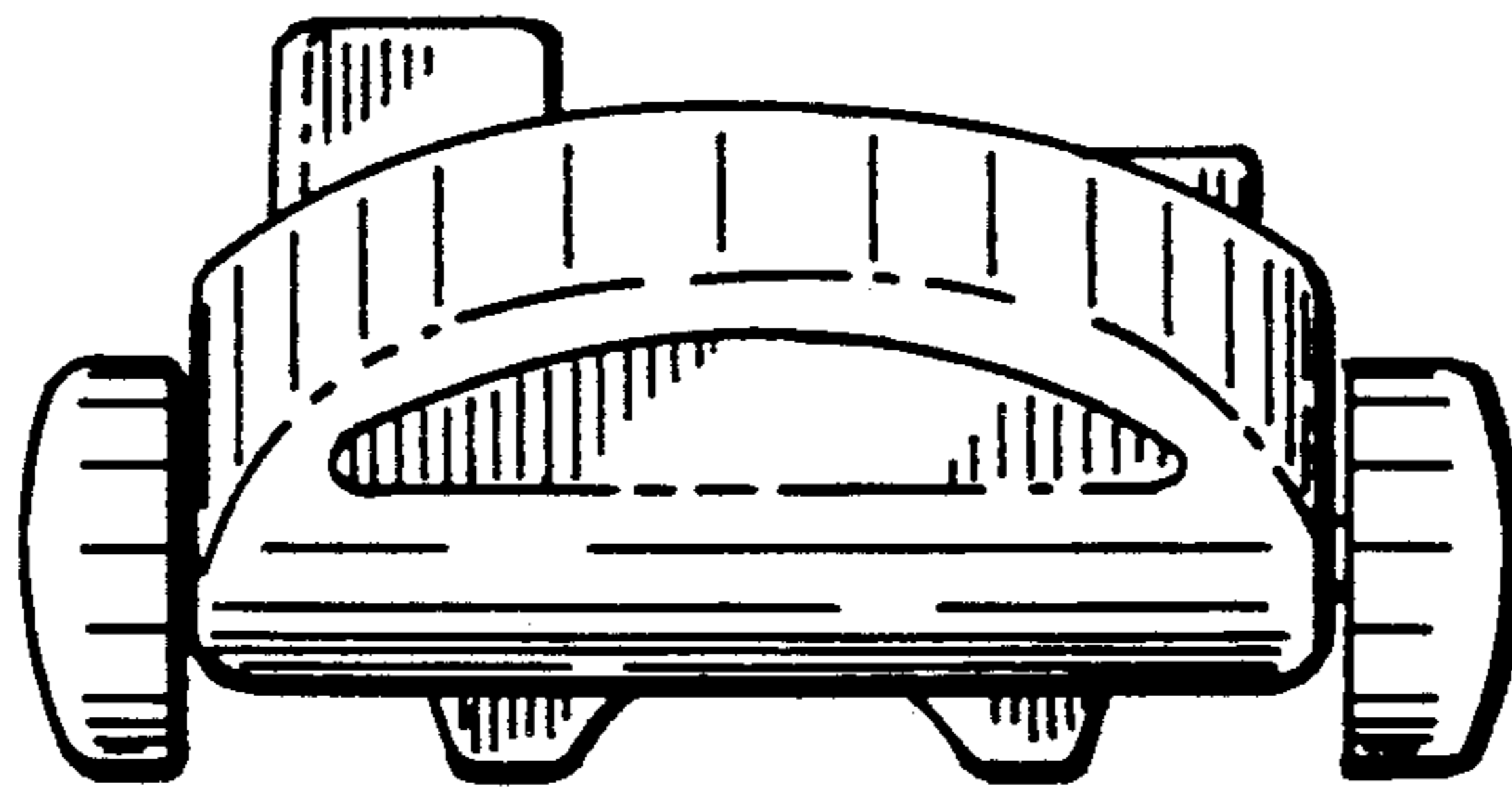


FIG. 7