

# United States Patent [19]

Helm-Estabrooks et al.

[11] Patent Number: Des. 321,722

[45] Date of Patent: \*\* Nov. 19, 1991

[54] **CARD BOARD FOR MEMORY OR THE LIKE**

[75] Inventors: Nancy Helm-Estabrooks, Boston; Edith Kaplan, Lexington, both of Mass.

[73] Assignee: Special Press, Inc., San Antonio, Tex.

[\*\*] Term: 14 Years

[21] Appl. No.: 427,628

[22] Filed: Oct. 27, 1989

[52] U.S. Cl. .... D19/64; D19/59; D21/54

[58] Field of Search ..... D21/54, 55, 56, 57; 273/272, 149 R, 148 A, 150, 151; 434/236, 129, 171, 429; D19/59-64

[56] **References Cited**

**U.S. PATENT DOCUMENTS**

D. 237,488	11/1975	Stubbmann	.....	D19/64
D. 281,259	11/1985	Hensley	.....	D21/54
D. 313,628	1/1991	Delcambre	.....	D19/59
1,460,791	7/1923	Cunningham	.....	273/150
1,479,350	1/1924	Wiel	.....	273/150
1,560,994	11/1925	Jones	.....	434/429

1,571,374	2/1926	Richard et al.	.....	273/150
2,731,270	1/1956	Schulz	.....	273/148 A
3,267,590	8/1966	Browning	.....	273/272

**OTHER PUBLICATIONS**

Nancy Helm-Estabrooks, Edith Kaplan and Boston University School of Medicine, Boston Stimulus Board Clinician's Guide, 1989.

Nancy A. Helm, Management of Palilalia with a Pacing Board; Jan. 15, 1979, vol. 44, pp. 350-353.

*Primary Examiner*—Bernard Ansher

*Assistant Examiner*—Prabhakar Deshmukh

*Attorney, Agent, or Firm*—Litman, McMahon & Brown

[57] **CLAIM**

The ornamental design for a card board for memory or the like, as shown and described.

**DESCRIPTION**

FIG. 1 is a perspective view of a card board for memory or the like showing our new design;

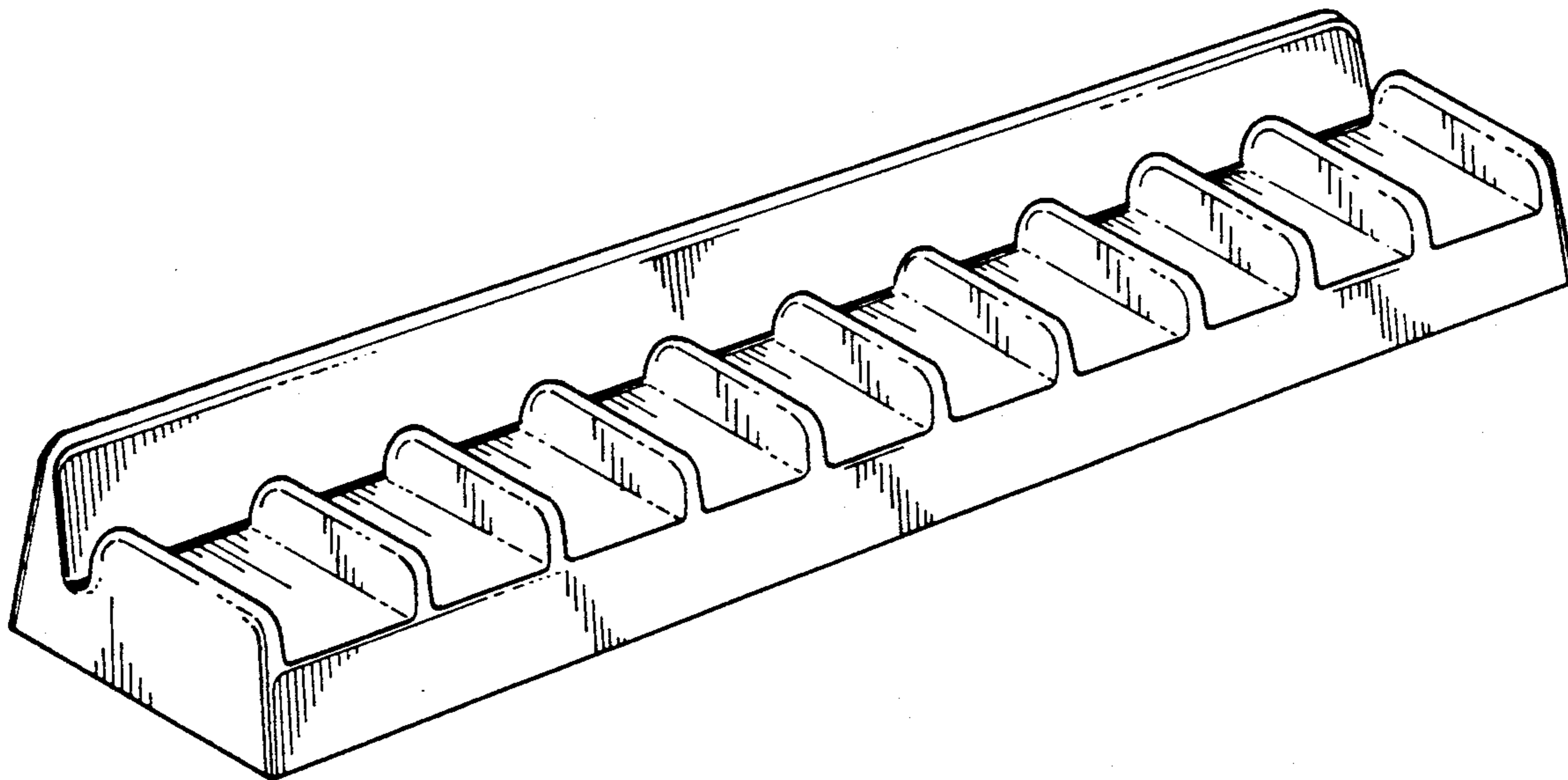
FIG. 2 is a front elevation thereof;

FIG. 3 is a top plan view thereof;

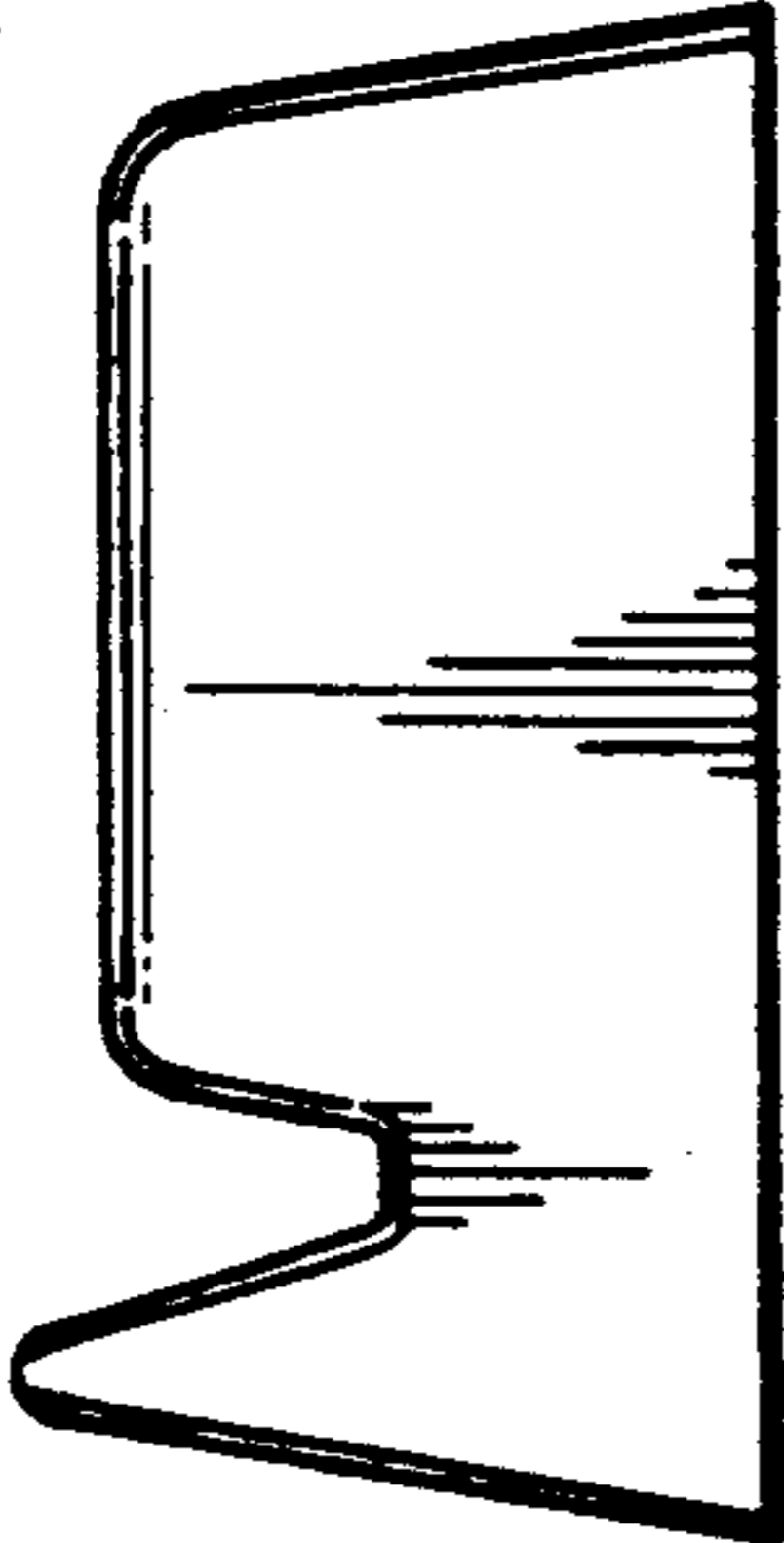
FIG. 4 is a bottom plan view thereof;

FIG. 5 is a left side elevation thereof; the right side elevation being a mirror image thereof; and

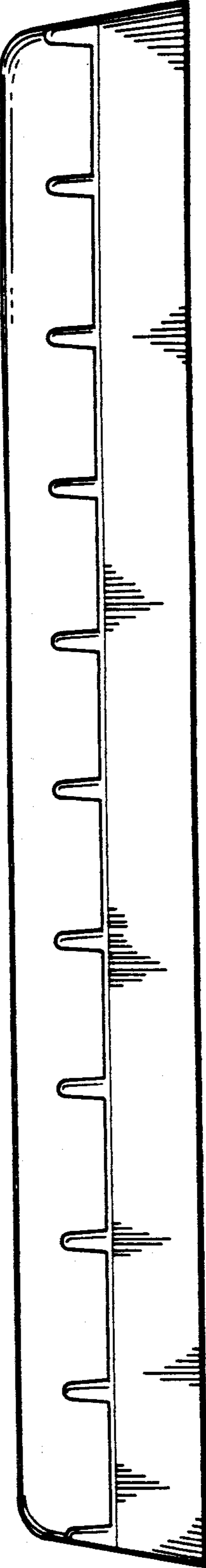
FIG. 6 is a rear elevation thereof.



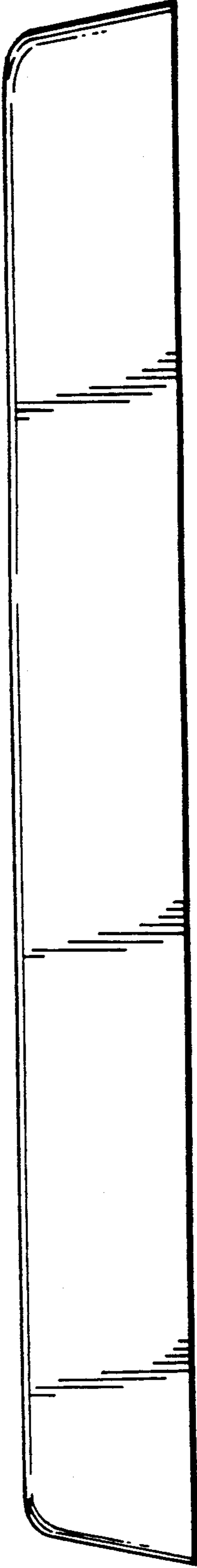
**Fig. 5.**



**Fig. 2.**



**Fig. 6.**



**Fig. 1.**

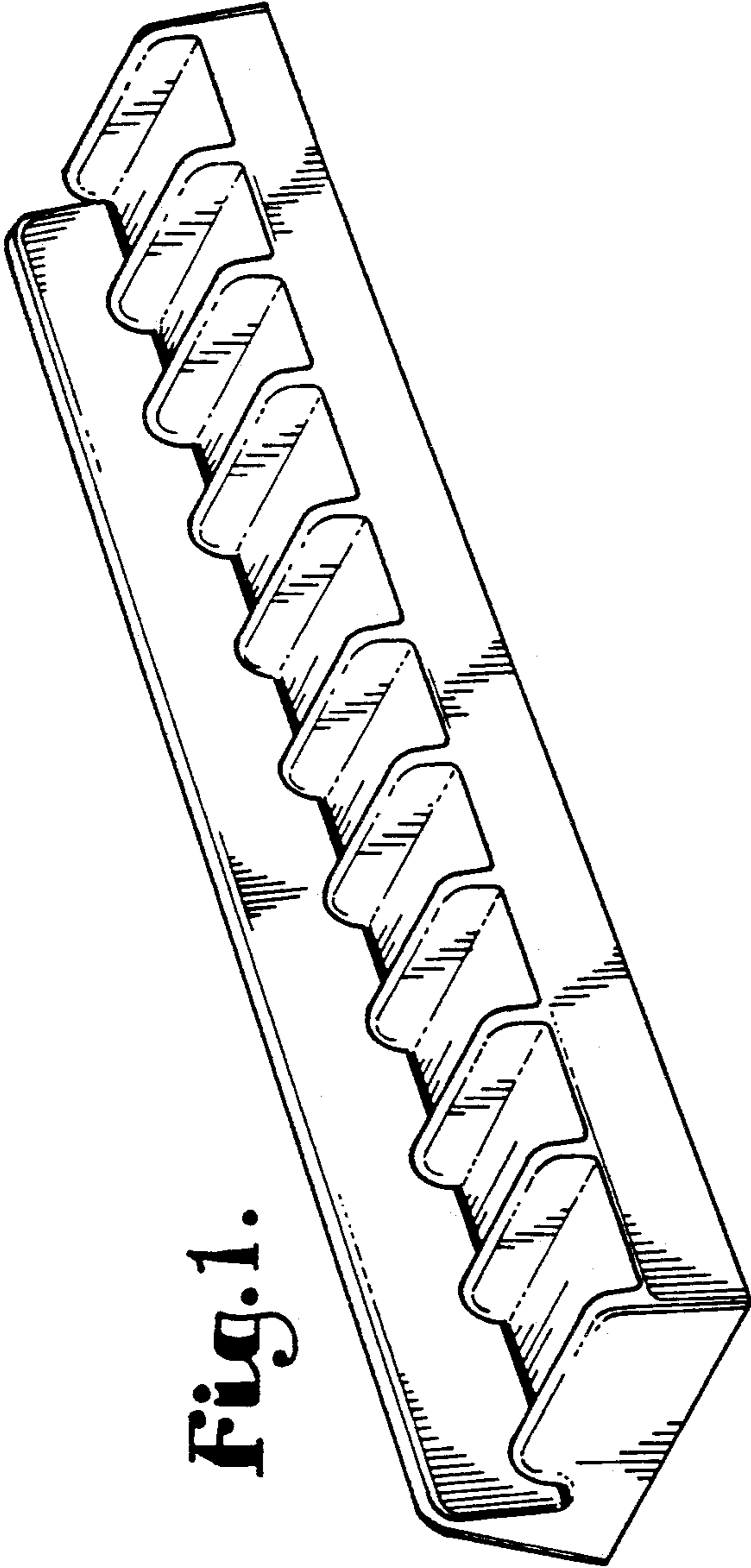


Fig. 4.

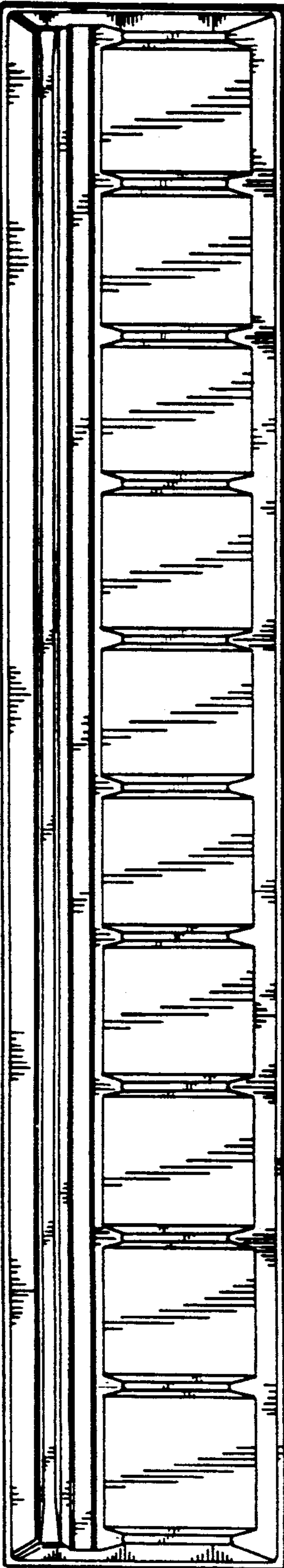
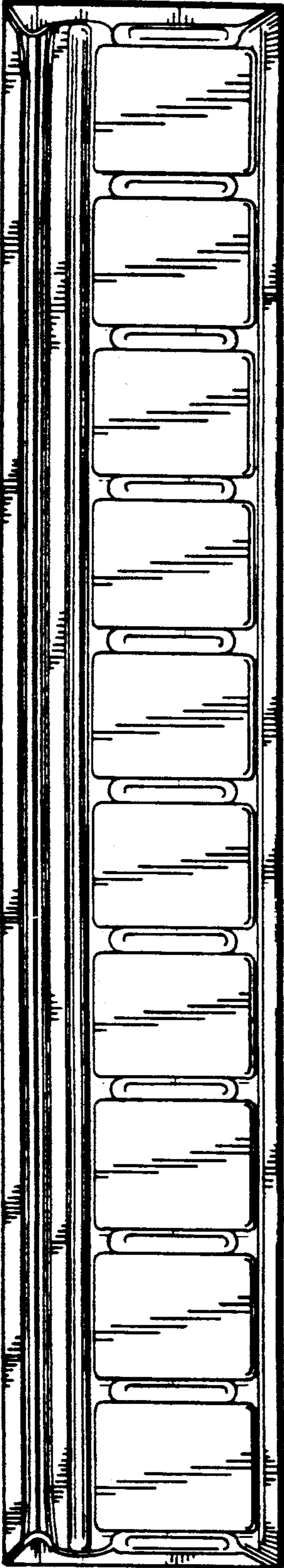


Fig. 3.