

[54] TONER CARTRIDGE

[75] Inventors: Hiroshi Kikuchi; Hisao Ono; Yoshiharu Momiyama; Shigeki Nakajima, all of Tokyo, Japan

[73] Assignee: Oki Electric Industry Co., Ltd., Tokyo, Japan

[\*\*] Term: 14 Years

[21] Appl. No.: 433,831

[22] Filed: Nov. 13, 1989

[30] Foreign Application Priority Data

Sep. 6, 1989 [JP] Japan ..... 1-32357

[52] U.S. Cl. .... D18/43

[58] Field of Search ..... D18/43, 22; D9/306, D9/373, 385, 390, 393, 399, 401, 415, 418, 424, 425, 432; 118/657; 141/1; 206/316, 446, 461, 467, 474, 495, 527, 532, 601, 628, 631, 633, 216; 222/166, 240, 325, 541, DIG. 1; 355/200, 244, 245, 260, 298

[56] References Cited

U.S. PATENT DOCUMENTS

- D. 208,377 8/1967 Wagner et al. .... D18/43
- D. 218,806 9/1970 Berg ..... D18/43
- D. 235,080 5/1975 Verona ..... D9/399 X
- D. 236,694 9/1975 Avolio ..... D18/43

- D. 240,201 6/1976 Avolio et al. .... D18/43
- D. 252,557 8/1979 Walker et al. .... D18/43
- D. 260,843 9/1981 Laird et al. .... D9/399 X
- D. 284,865 7/1986 Gendron ..... D18/43
- 3,338,410 8/1967 South ..... D18/43 X
- 4,688,926 8/1987 Manno ..... 355/260
- 4,827,307 5/1989 Zoltner ..... 355/260 X

Primary Examiner—Nelson C. Holtje  
Assistant Examiner—Caron D. Veynar  
Attorney, Agent, or Firm—Wenderoth, Lind & Ponack

[57] CLAIM

The ornamental design for a toner cartridge, as shown and described.

DESCRIPTION

FIG. 1 is a front top and left side perspective view of a toner cartridge showing our new design;  
 FIG. 2 is a front elevational view thereof;  
 FIG. 3 is a rear elevational view thereof;  
 FIG. 4 is a top plan view thereof;  
 FIG. 5 is a bottom plan view thereof;  
 FIG. 6 is a left side elevational view thereof;  
 FIG. 7 is a right side elevational view thereof;  
 FIG. 8 is a bottom plan view with the slit in the open position;  
 FIG. 9 is a cross sectional view taken along line IX—IX in FIG. 6;  
 FIG. 10 is a cross sectional view taken along line X—X in FIG. 2.

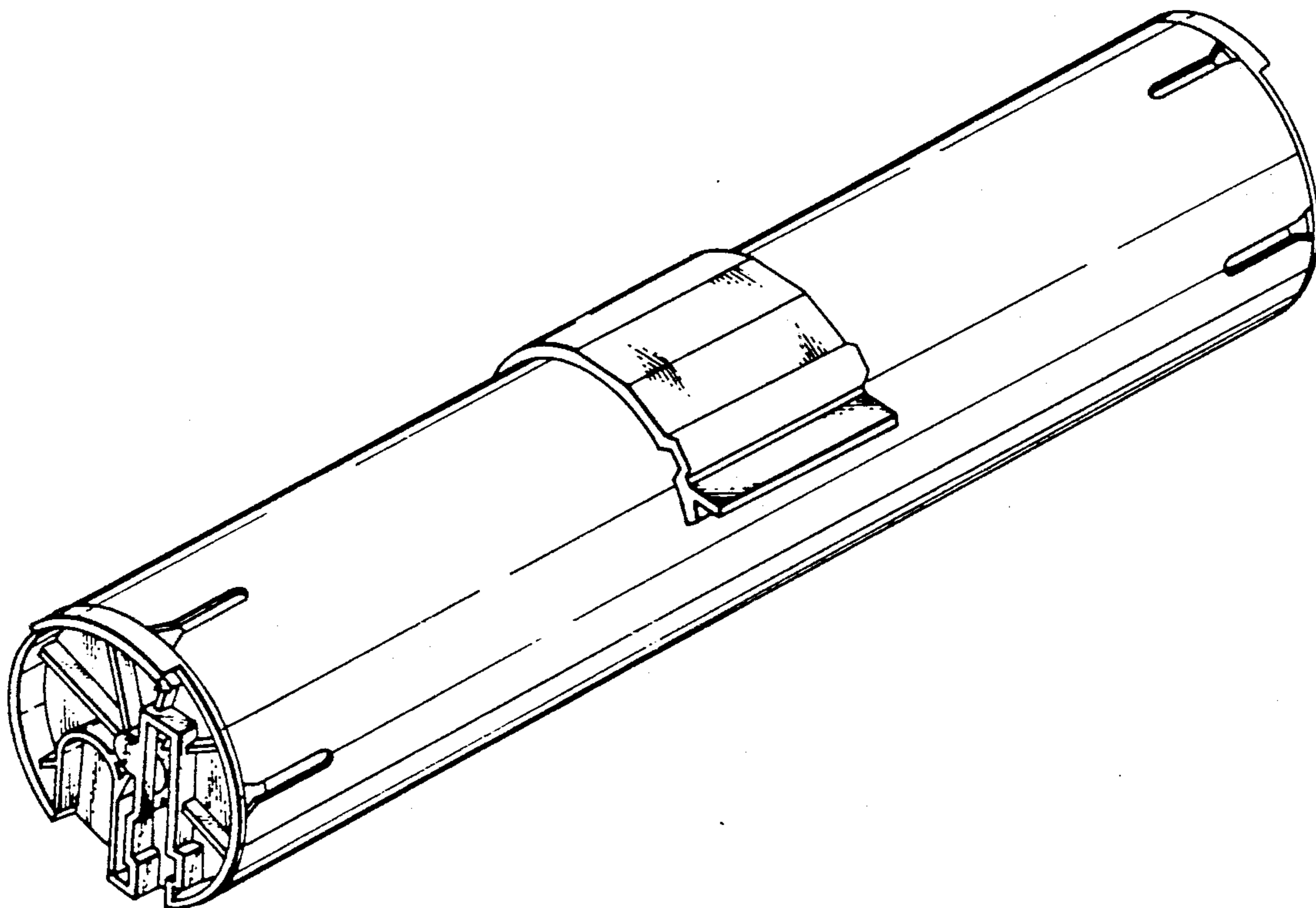


Fig. 1

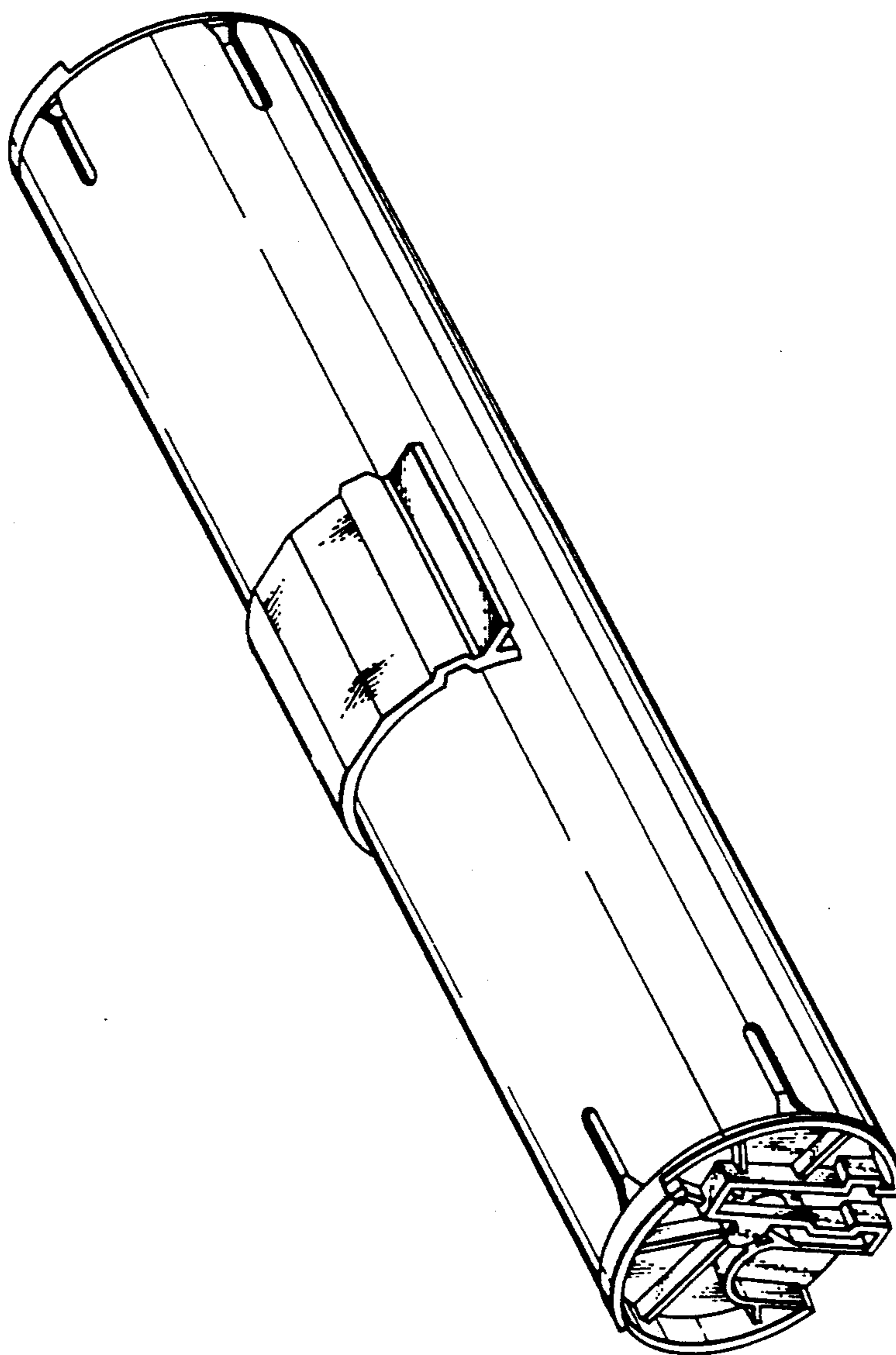


Fig. 2

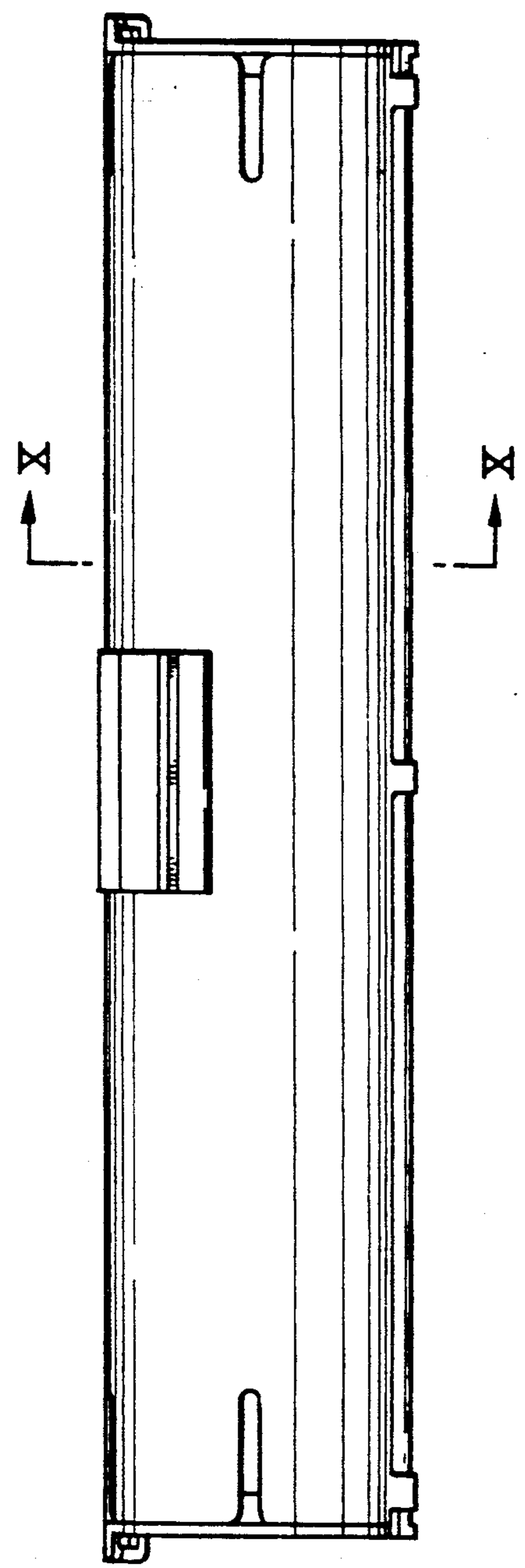


Fig. 3

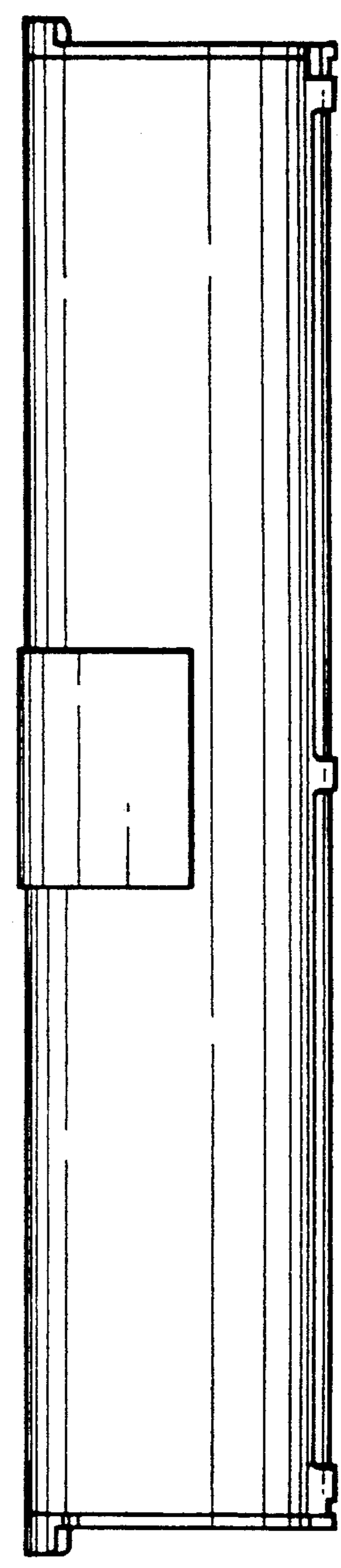


Fig. 4

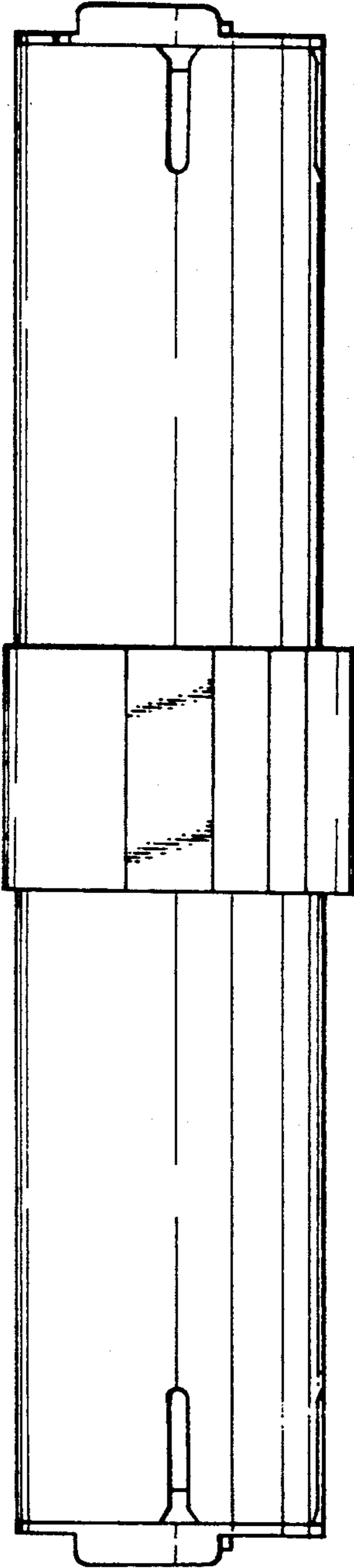


Fig. 5

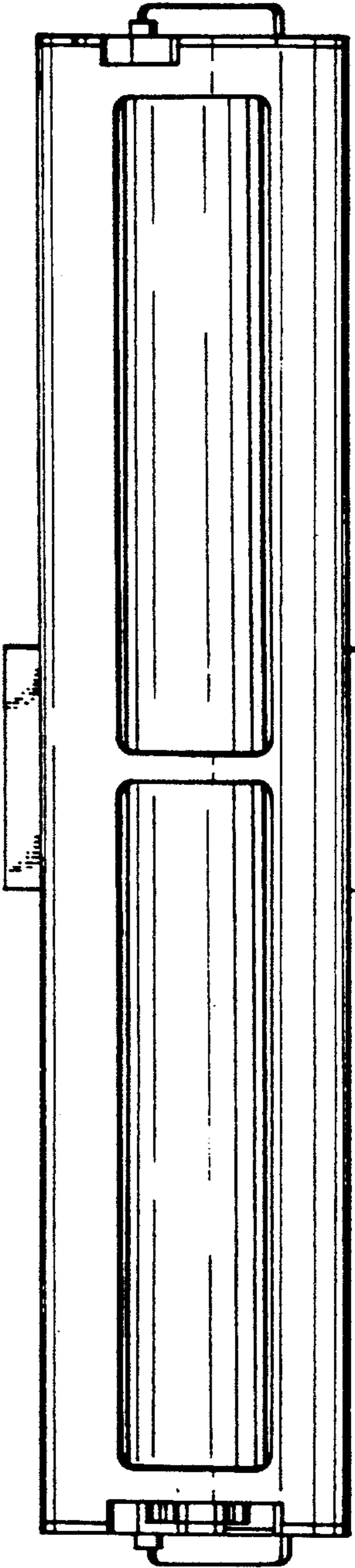


Fig. 6

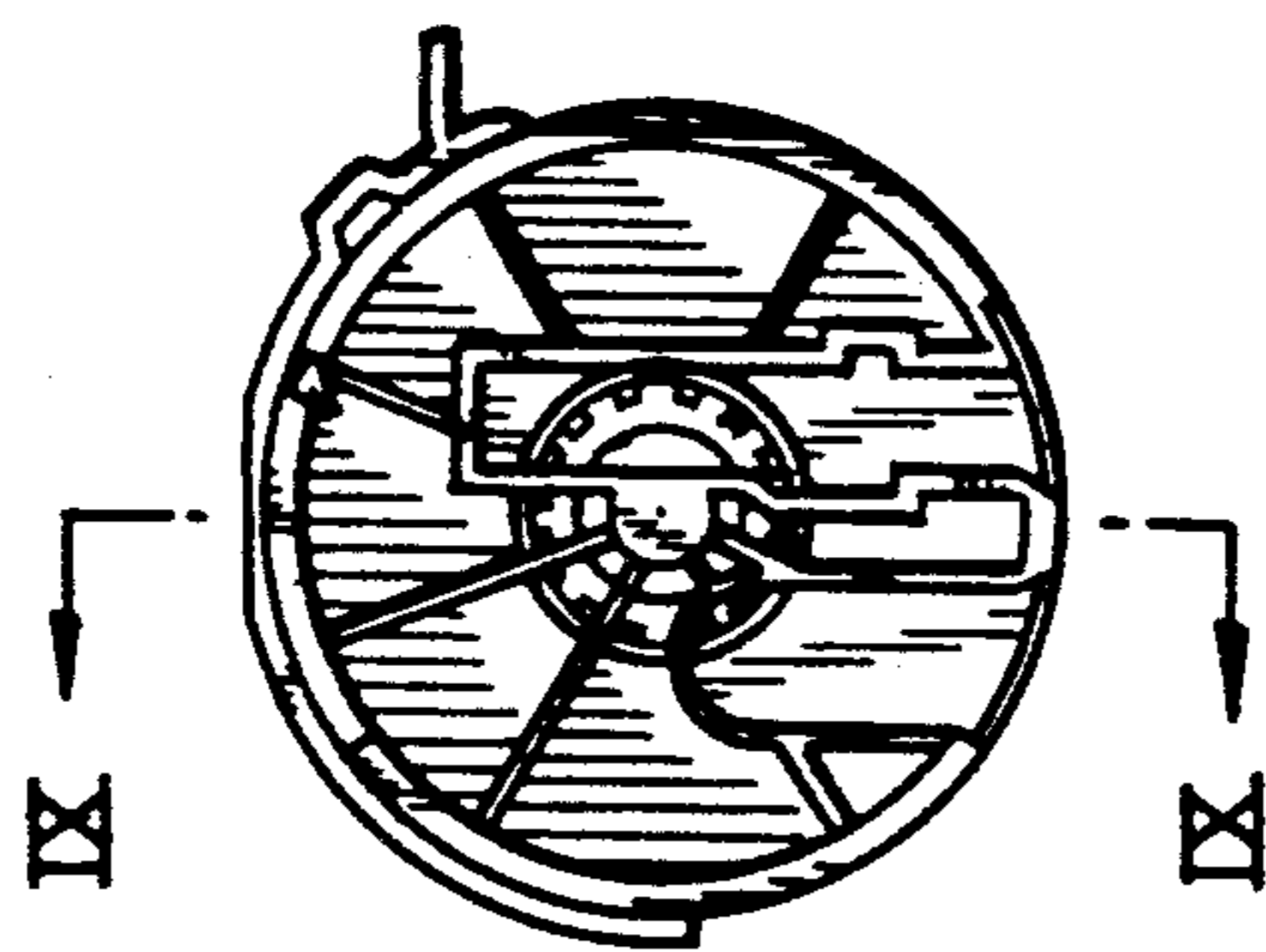


Fig. 7

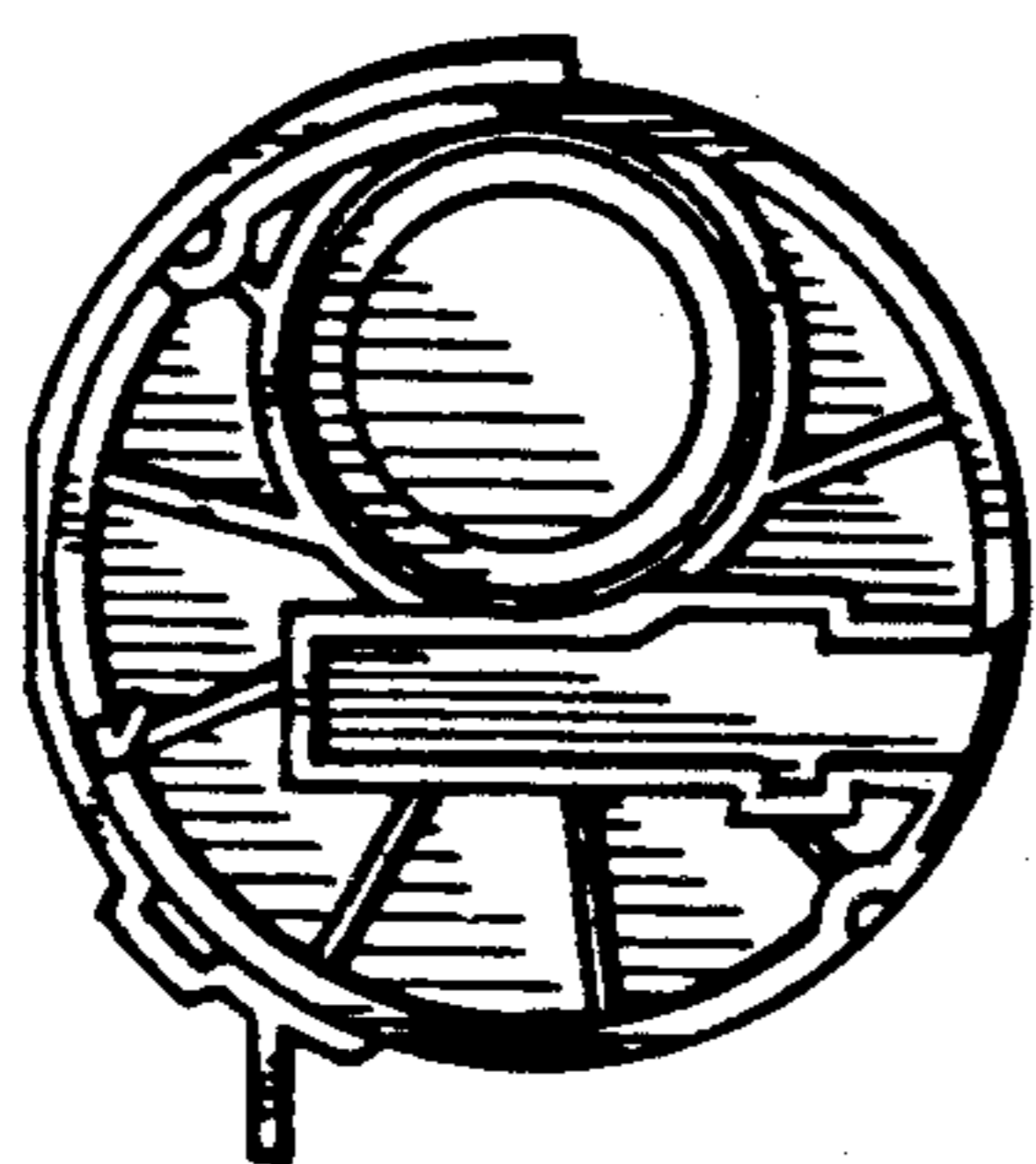


Fig. 8

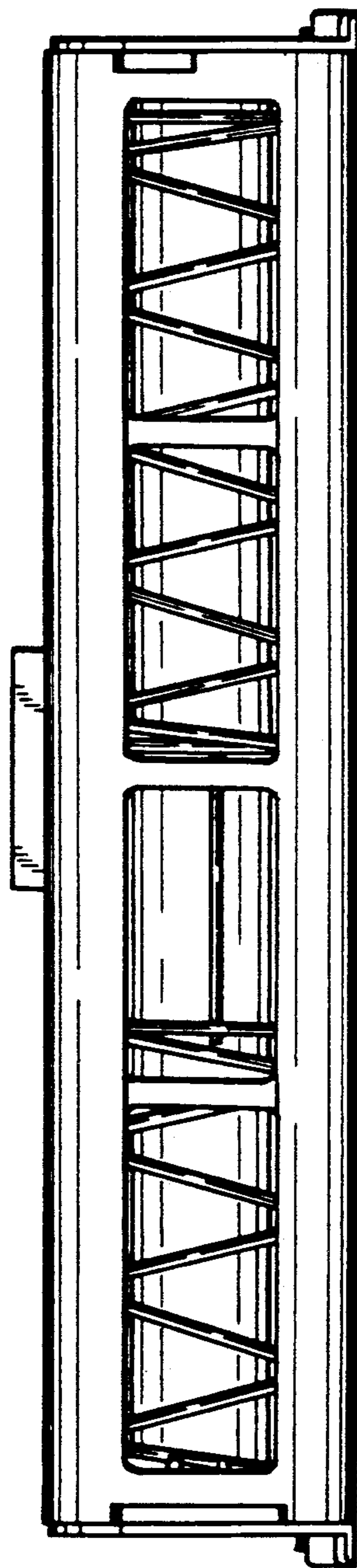


Fig. 9

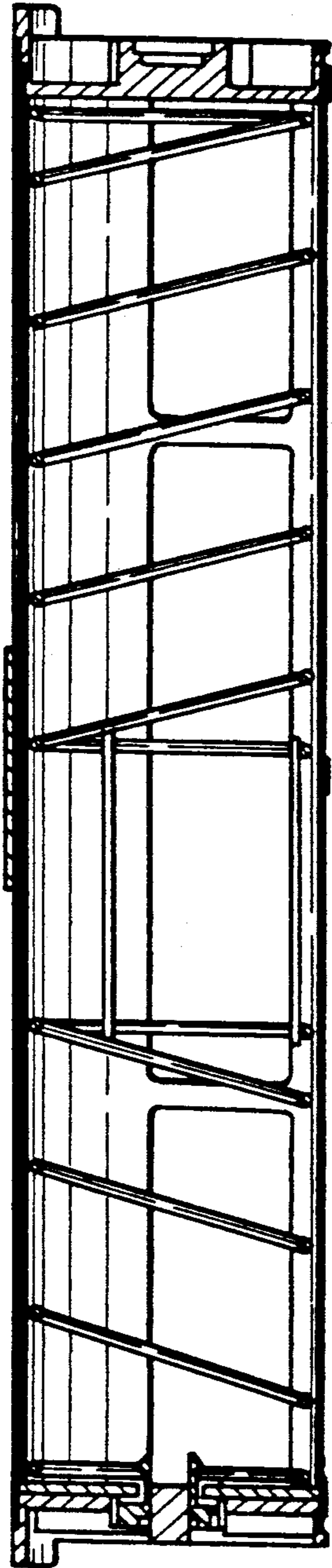


Fig. 10

