

[54] **PRINTER FOR ELECTRONIC COMPUTER**

[75] Inventors: Friedrich F. Frenkler, Tokyo; Masayuki Ono, Nagano; Akira Suzuki, Nagano; Noritaka Uchibori, Nagano, all of Japan

[73] Assignee: Seiko Epson Corporation, Tokyo, Japan

[\*\*] Term: 14 Years

[21] Appl. No.: 352,216

[22] Filed: May 15, 1989

[30] **Foreign Application Priority Data**

Nov. 14, 1988 [JP] Japan ..... 63-44477

[52] U.S. Cl. .... D18/54

[58] Field of Search ..... D18/13; D14/111; 400/613, 613.2-613.4, 691-694; 101/420

[56] **References Cited**

**U.S. PATENT DOCUMENTS**

- D. 272,352 1/1984 Seki et al. .... D14/111
- D. 278,821 5/1985 Maruyama ..... D14/111
- D. 283,823 5/1986 Mitsuhashi ..... D18/13
- D. 285,925 9/1986 Davis ..... D18/13
- D. 286,052 10/1986 Peart et al. .... D14/111

- D. 287,727 1/1987 Kurihara ..... D14/111
- D. 288,324 2/1987 Moggridge ..... D14/111
- D. 295,045 4/1988 Kuroki ..... D18/13
- D. 296,211 6/1988 Nagatomo ..... D14/111
- D. 312,475 11/1990 Yoshida ..... D18/13
- 4,674,899 6/1987 Kimura ..... 400/613

**OTHER PUBLICATIONS**

NEC Spinwriter e.l.f. Printer brochure; Feb. 1985; pp. 1 & 2.

Primary Examiner—A. Hugo Word  
Assistant Examiner—CathyAnne MacCormac  
Attorney, Agent, or Firm—Blum Kaplan

[57] **CLAIM**

The ornamental design for a printer for electronic computer, as shown and described.

**DESCRIPTION**

FIG. 1 is a top plan view of a printer for electronic computer showing our new design; FIG. 2 is a front elevational view thereof; FIG. 3 is a right side view thereof; FIG. 4 is a bottom plan view thereof; FIG. 5 is a rear elevational view thereof; FIG. 6 is a left side view thereof; and FIG. 7 is a perspective view thereof showing the paper tray in raised position.

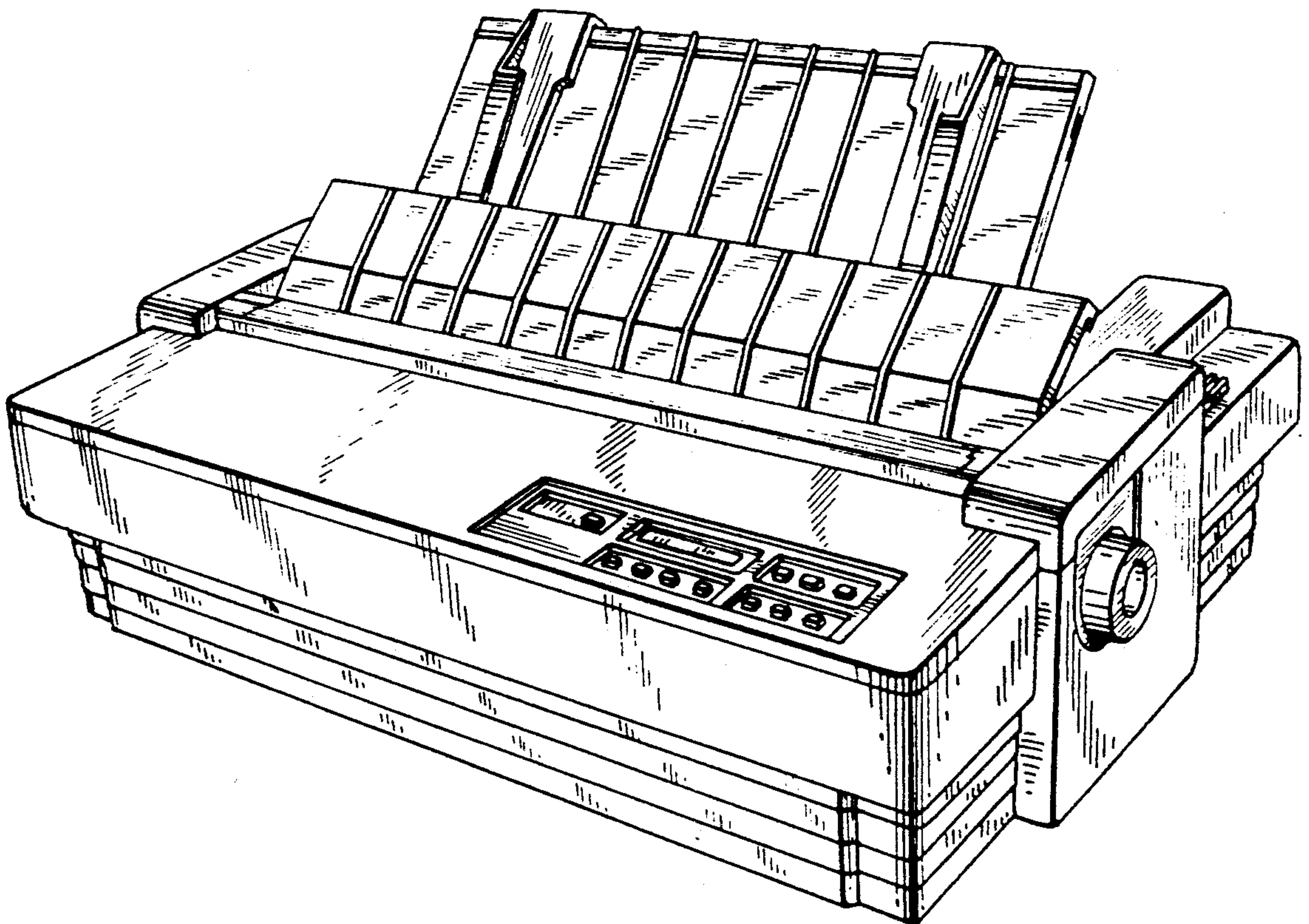


FIG. 1

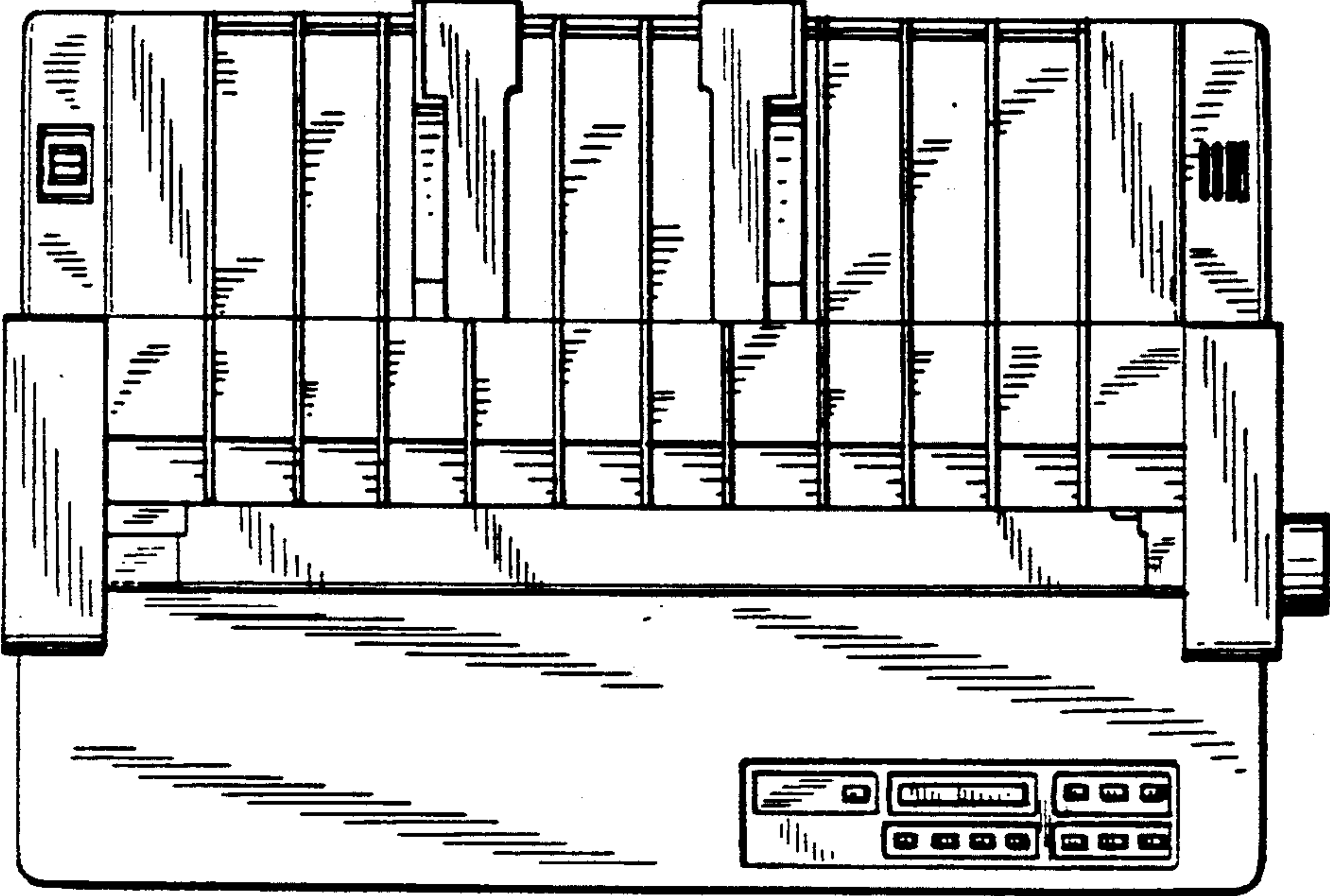


FIG. 2

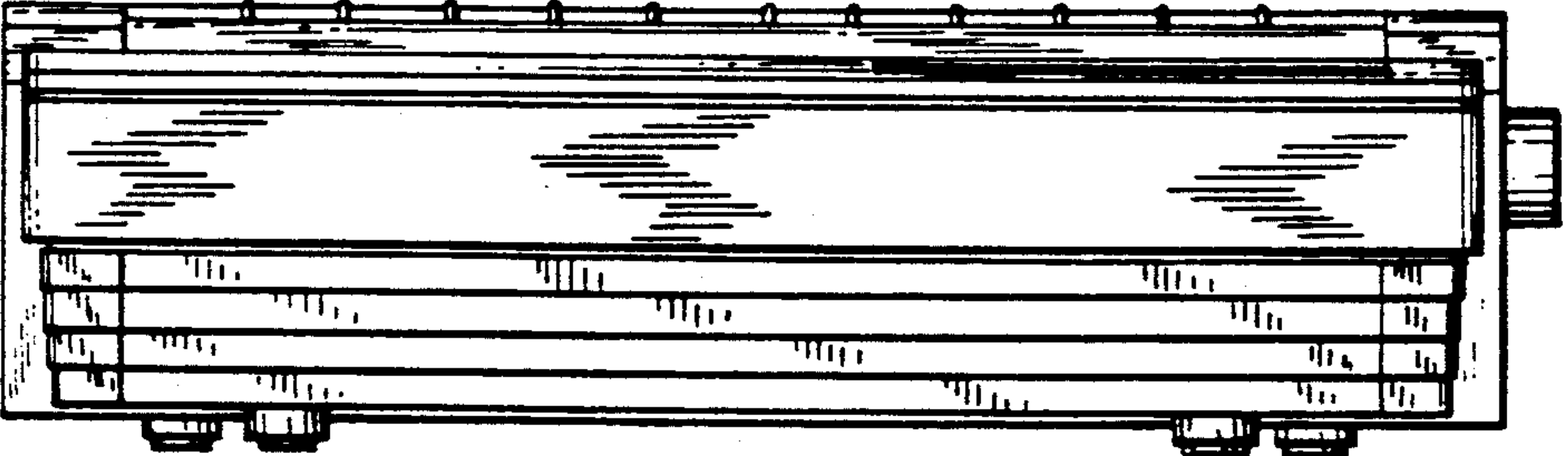


FIG. 3

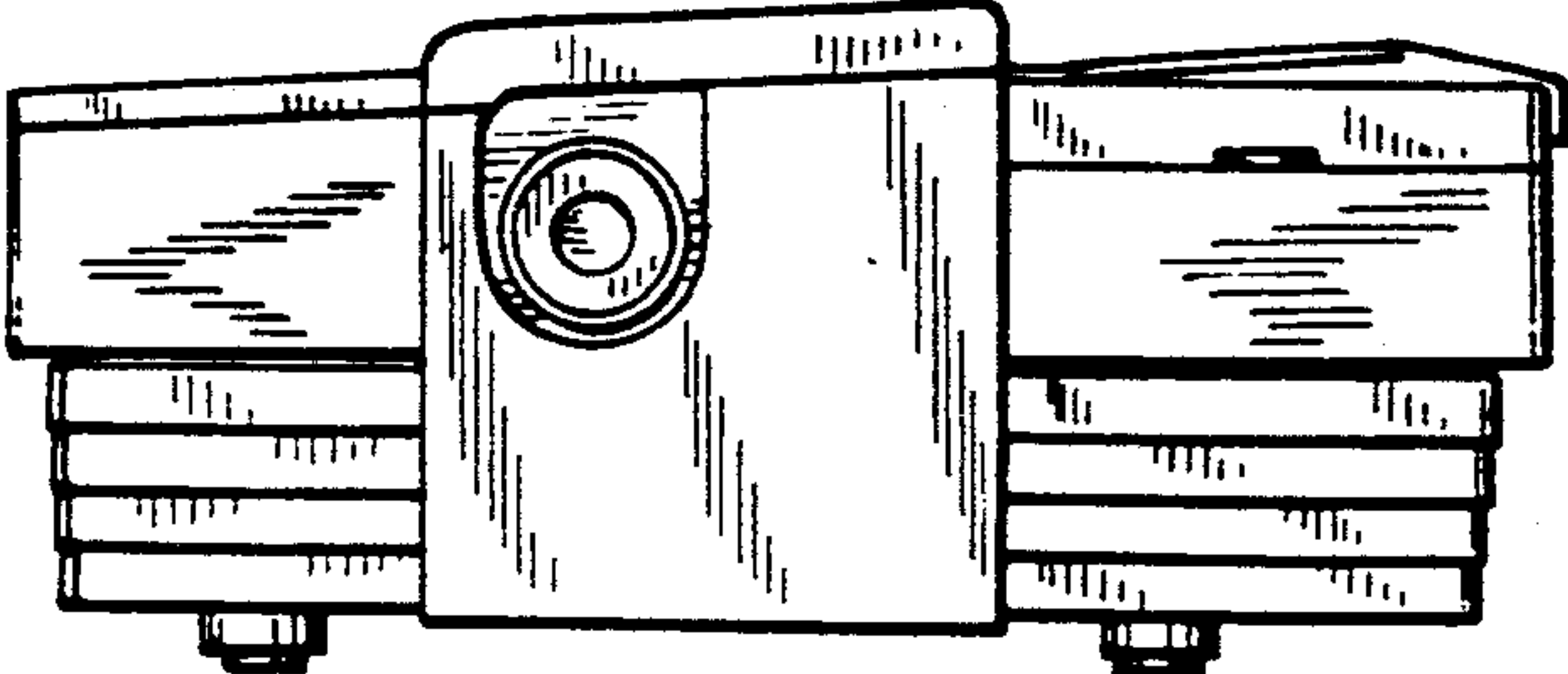


FIG. 4

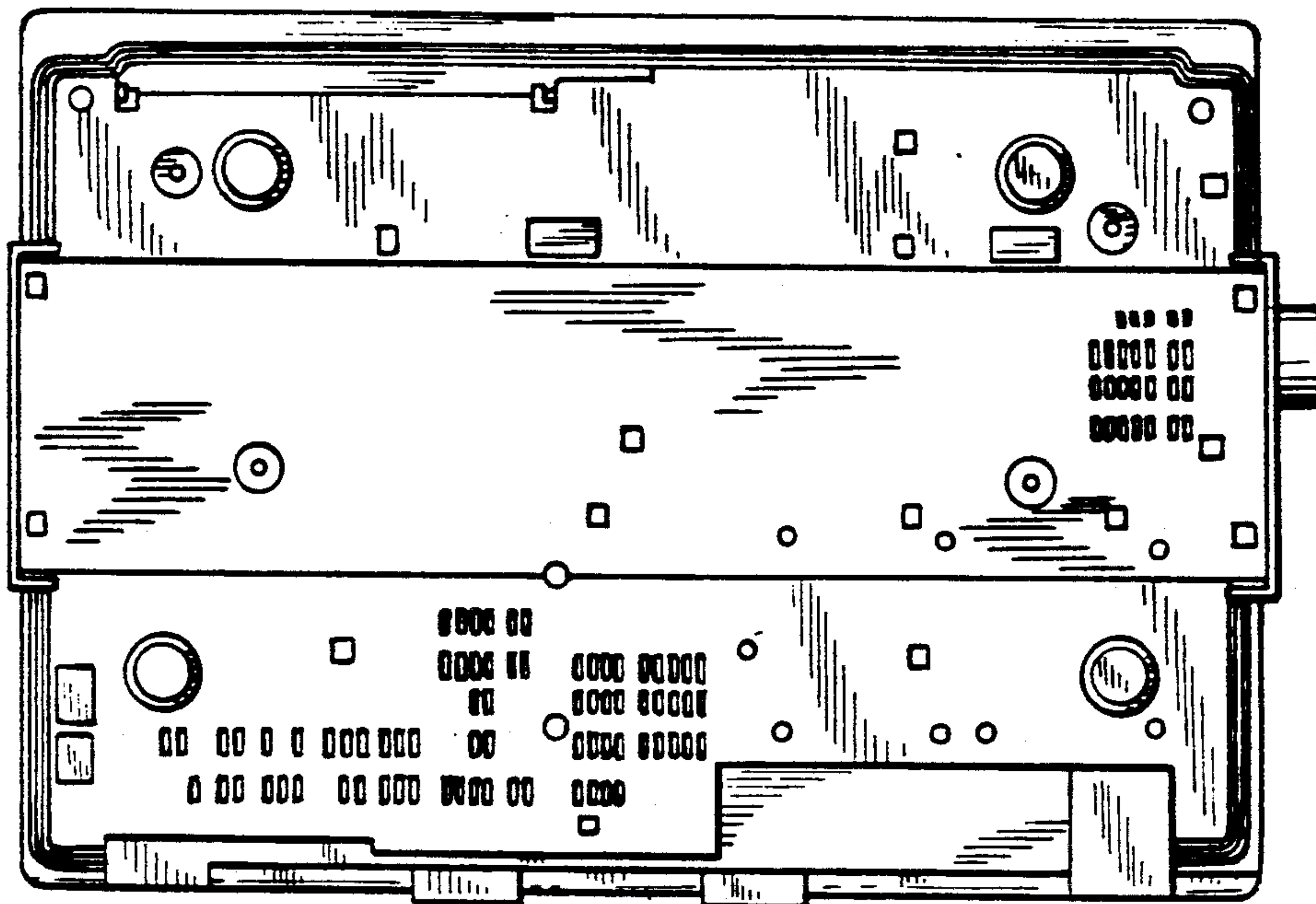


FIG. 5

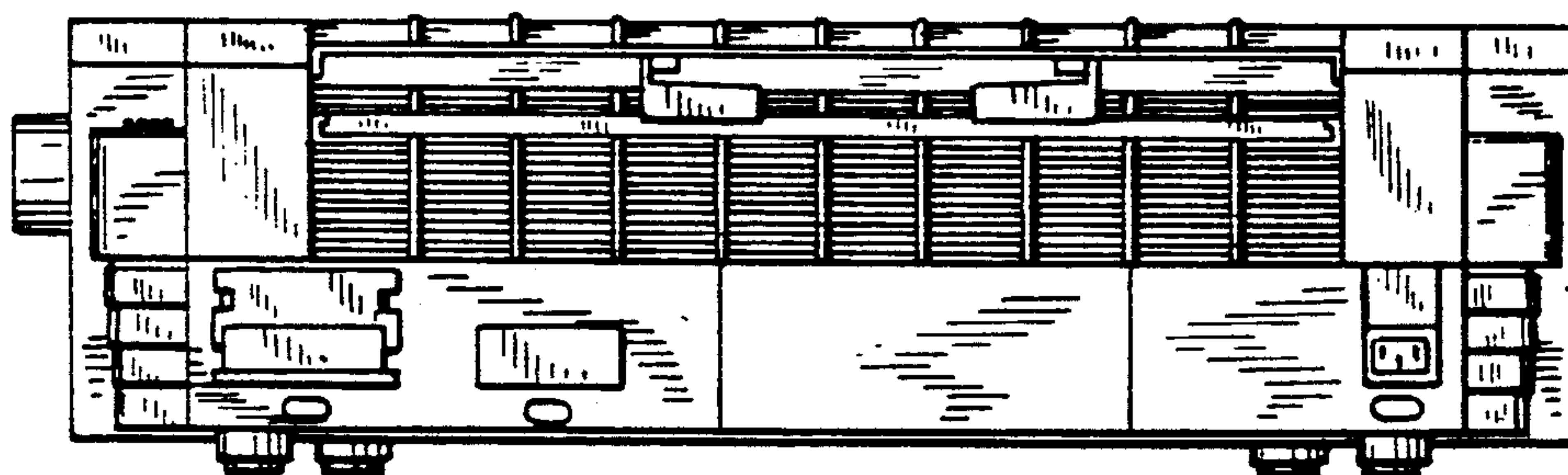
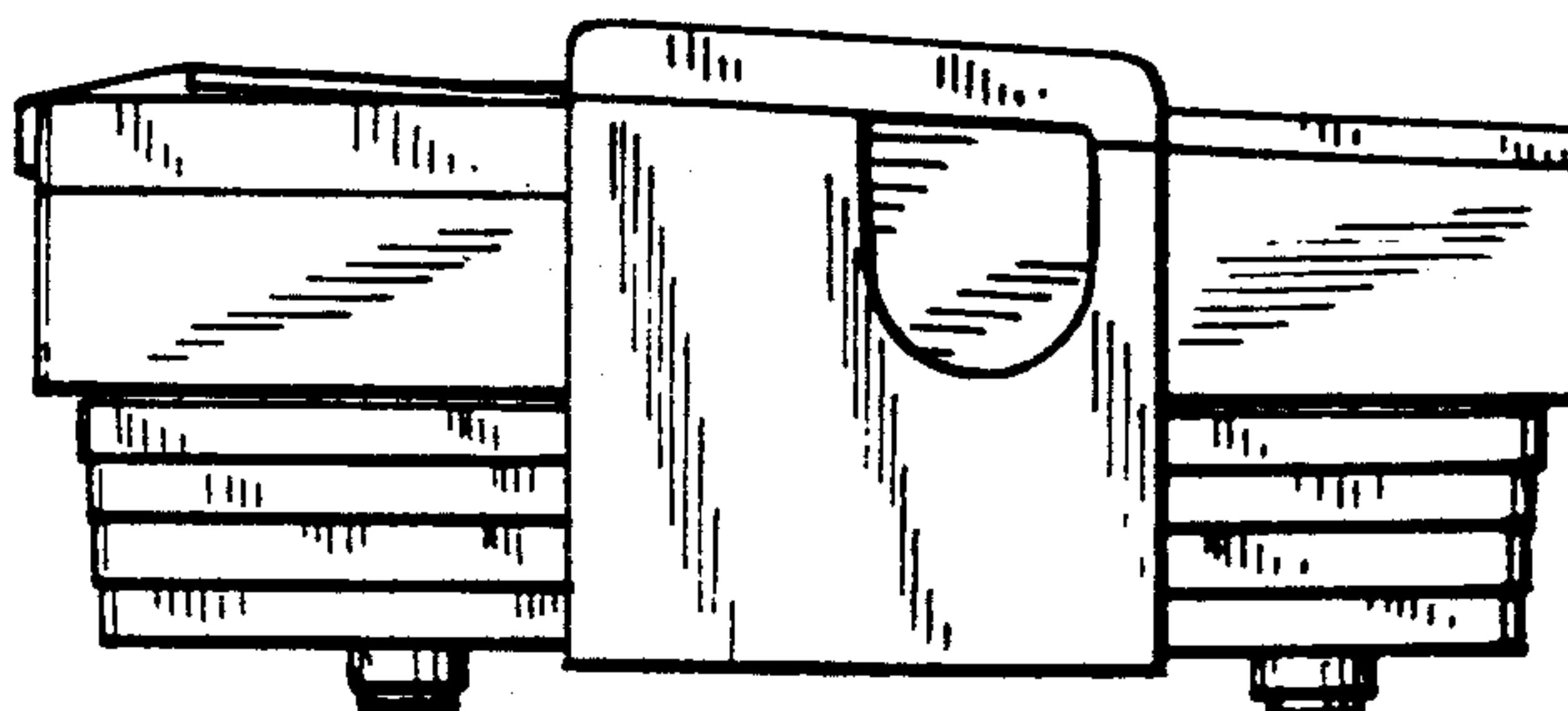


FIG. 6





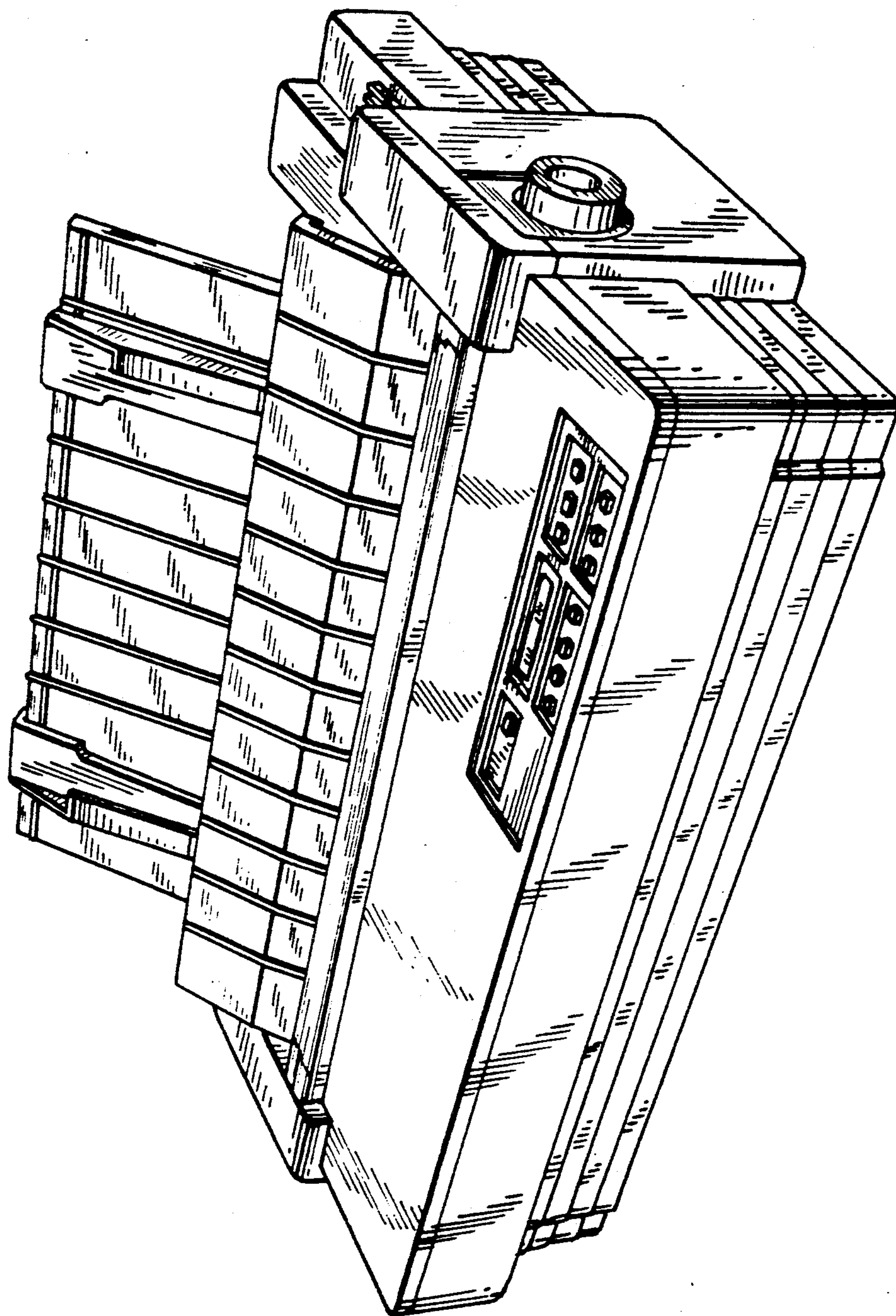


FIG. 7