

[54] SHEET FEEDER

[75] Inventor: Eiji Tsutsui, Hyogo, Japan

[73] Assignee: Mita Industrial Co., Ltd., Osaka, Japan

[**] Term: 14 Years

[21] Appl. No.: 400,233

[22] Filed: Aug. 28, 1989

[30] Foreign Application Priority Data

Mar. 7, 1989 [JP] Japan 1-8252

[52] U.S. Cl. D18/49

[58] Field of Search D14/111; D18/1, 12, D18/13, 22, 36-44; 226/74; 271/3, 8.1, 9, 10, 2.1; 355/308, 309; 400/624-629, 636, 636.2, 642, 646, 647, 647.1, 689-694

[56] References Cited

U.S. PATENT DOCUMENTS

D. 305,034 12/1989 Hiroki D18/22
4,372,699 2/1983 Quinn, Jr. 400/625

4,475,731	10/1984	Wood	271/9
4,523,869	6/1985	Martin	400/636.2 X
4,560,156	12/1985	DuBois	271/9 X
4,565,360	1/1986	Rünzi	400/625 X
4,767,114	8/1988	Nishimoto	271/3
4,997,179	3/1991	Mizutani et al.	271/3 X

Primary Examiner—Wallace R. Burke
Assistant Examiner—Freda S. Nunn
Attorney, Agent, or Firm—Sughrue, Mion, Zinn, Macpeak & Seas

[57] CLAIM

The ornamental design for a sheet feeder, as shown.

DESCRIPTION

FIG. 1 is a front, top and right side perspective view of a sheet feeder showing my new design; FIG. 2 is a front elevational view thereof; FIG. 3 is a rear elevational view thereof; FIG. 4 is a top plan view thereof; FIG. 5 is a bottom plan view thereof; FIG. 6 is a left side elevational view thereof; and FIG. 7 is a right side elevational view thereof.

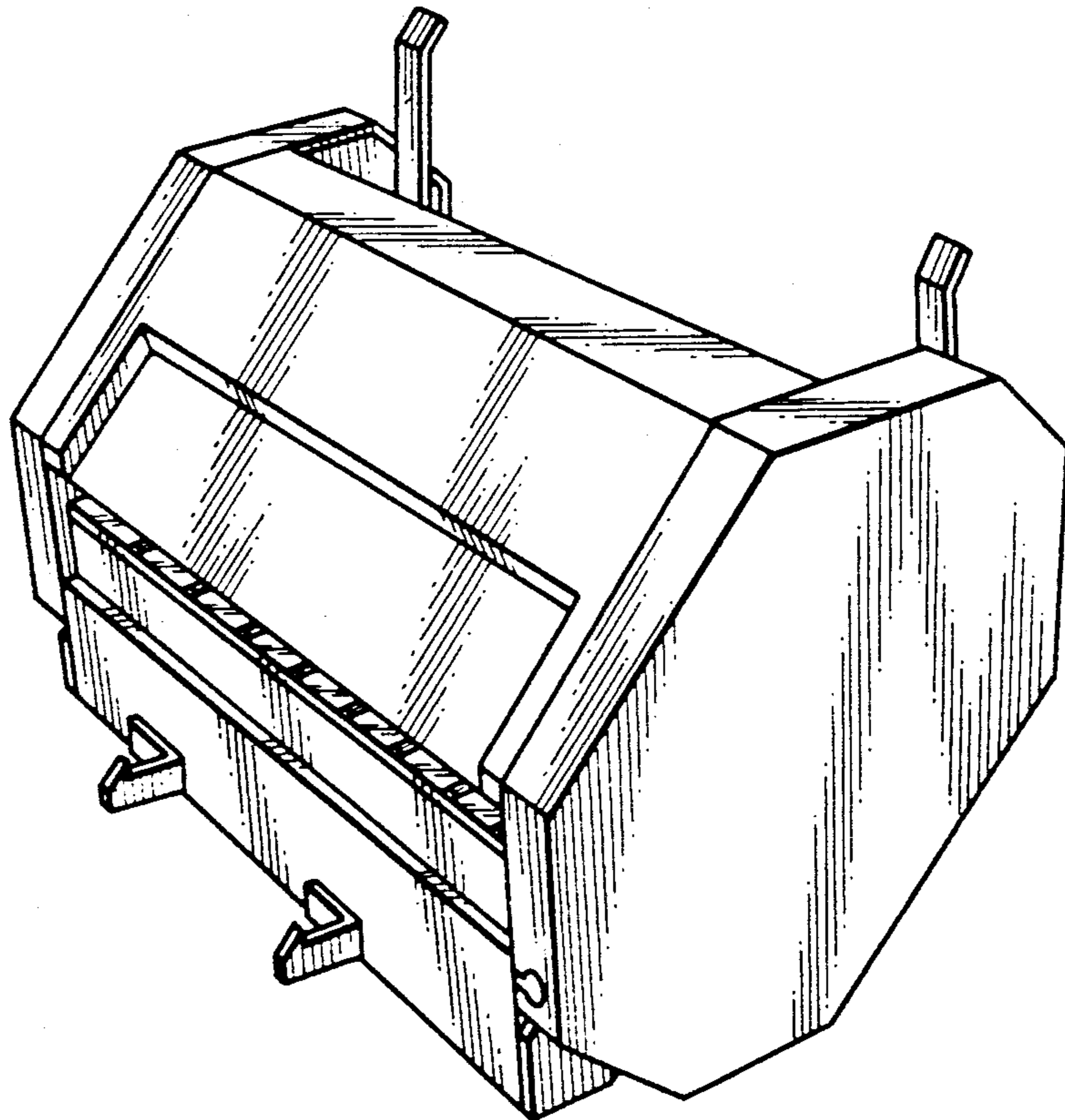


Fig. 1

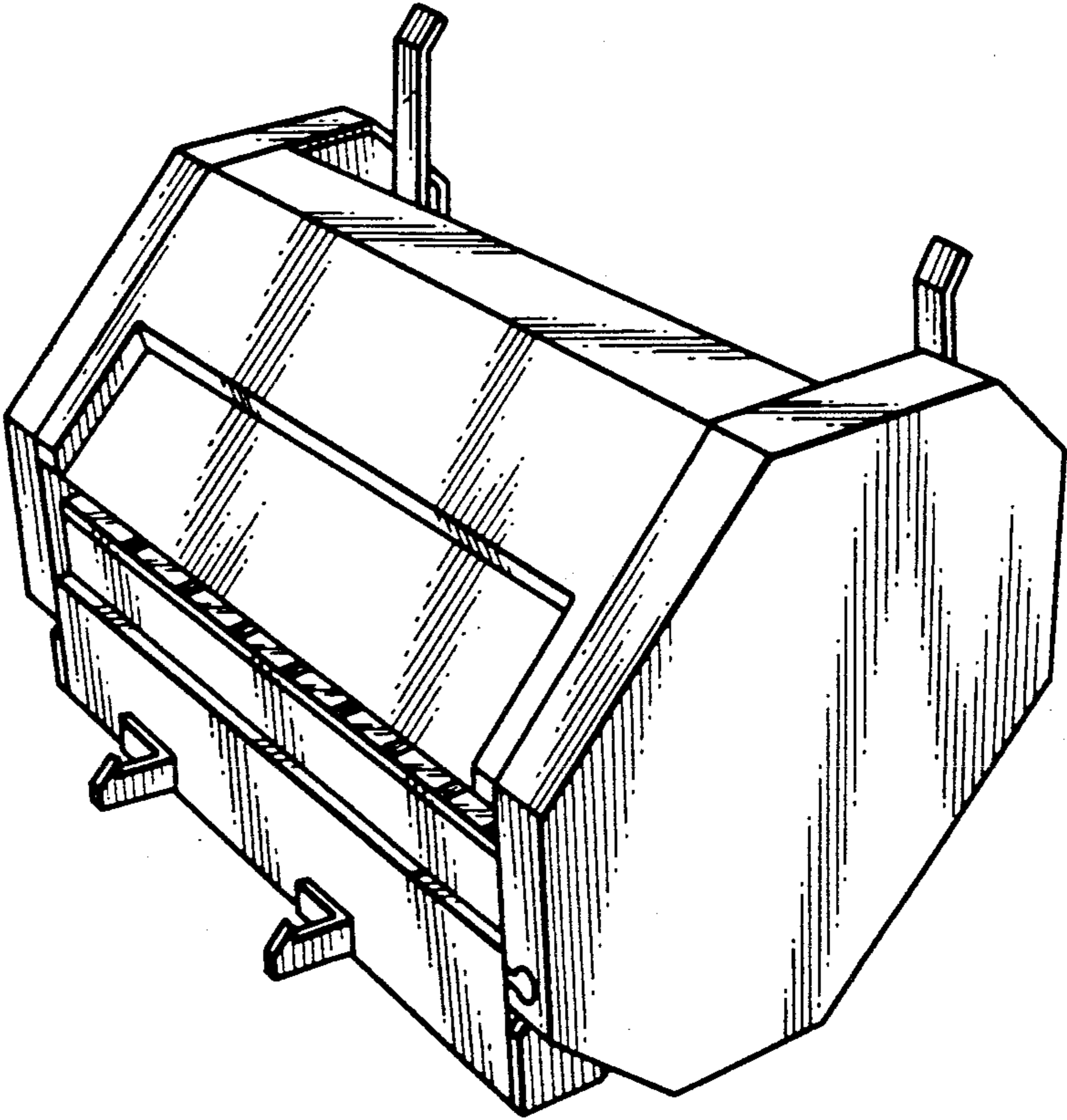


Fig. 2

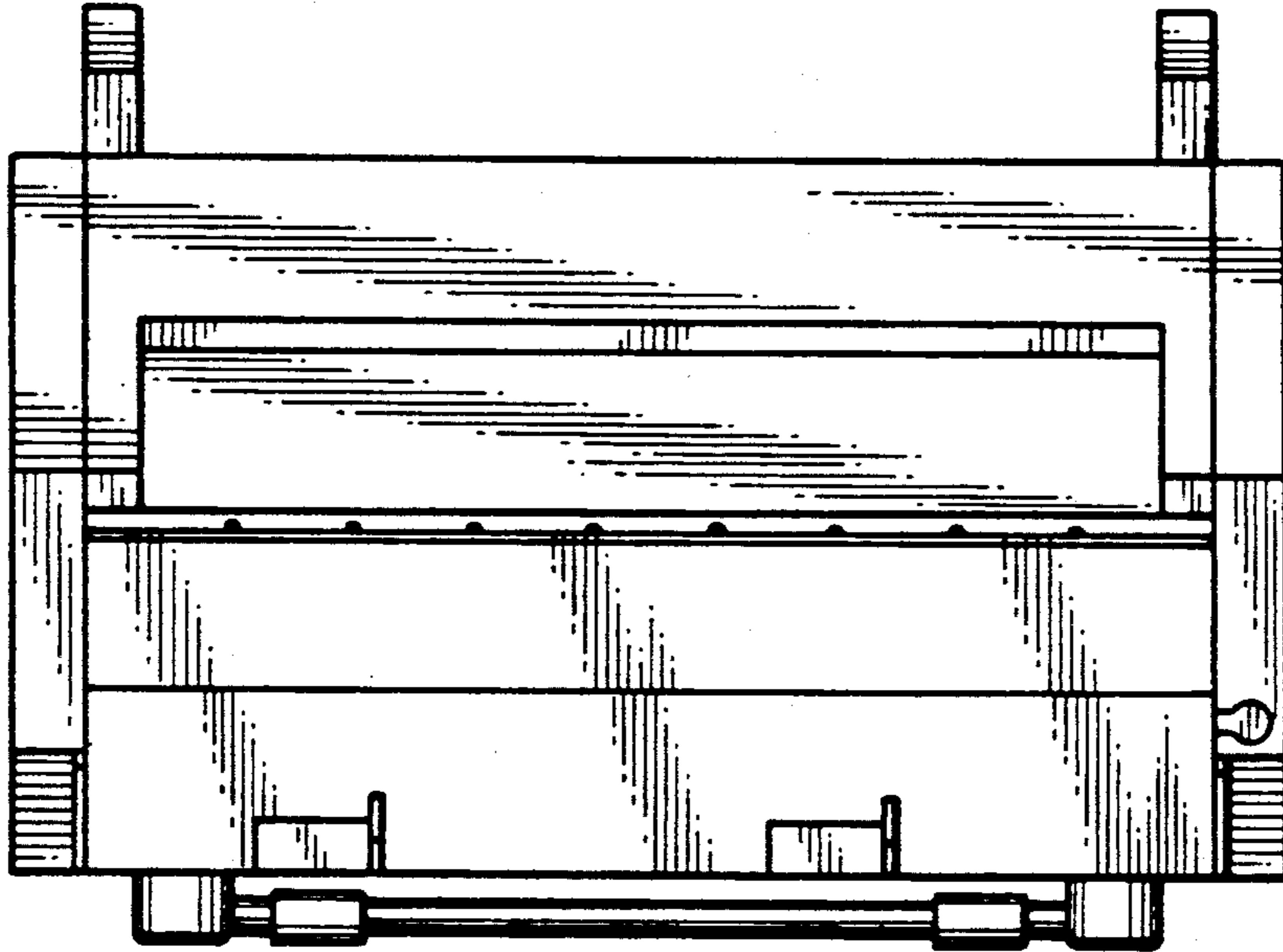


Fig. 3

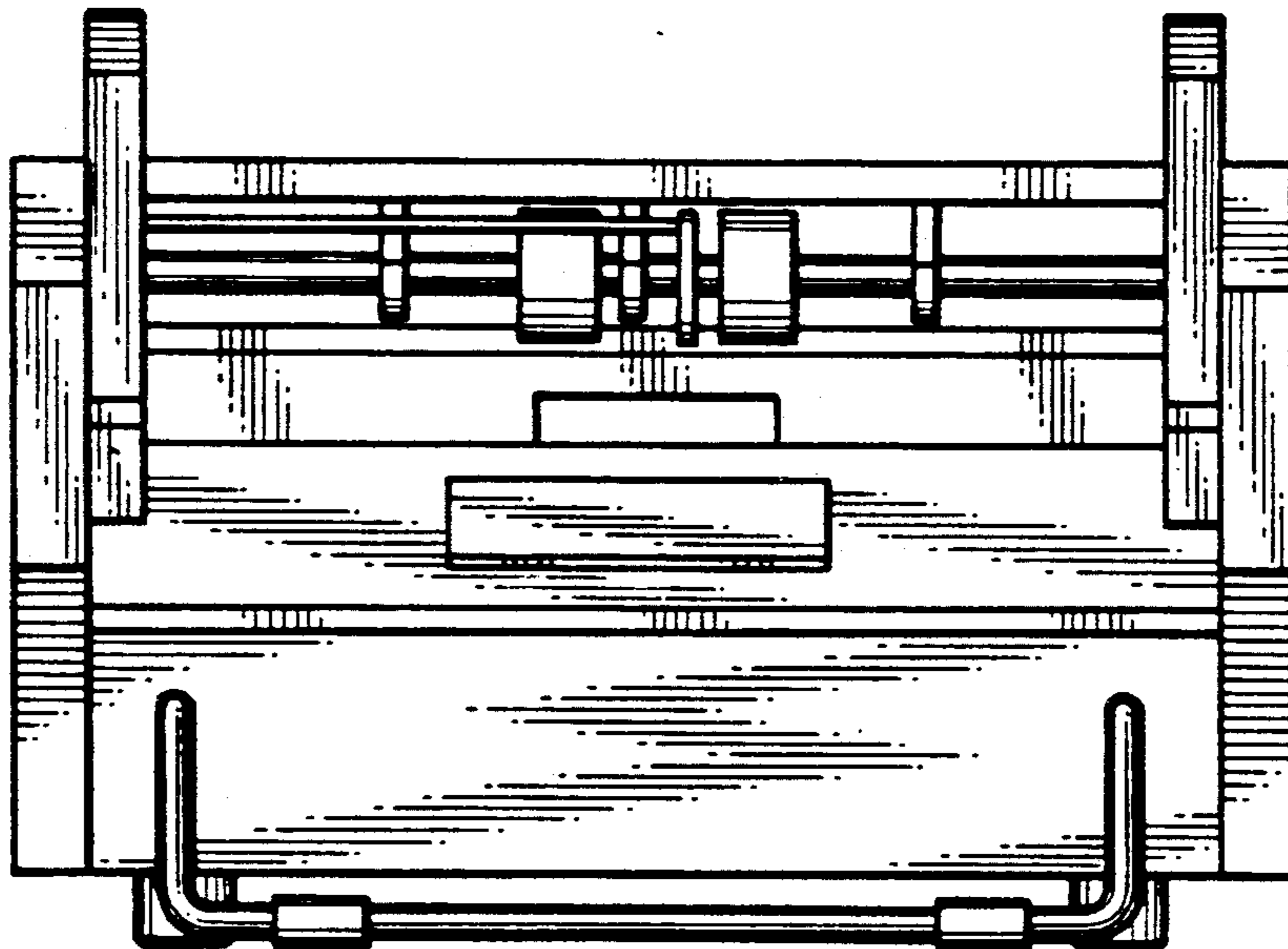


Fig. 4

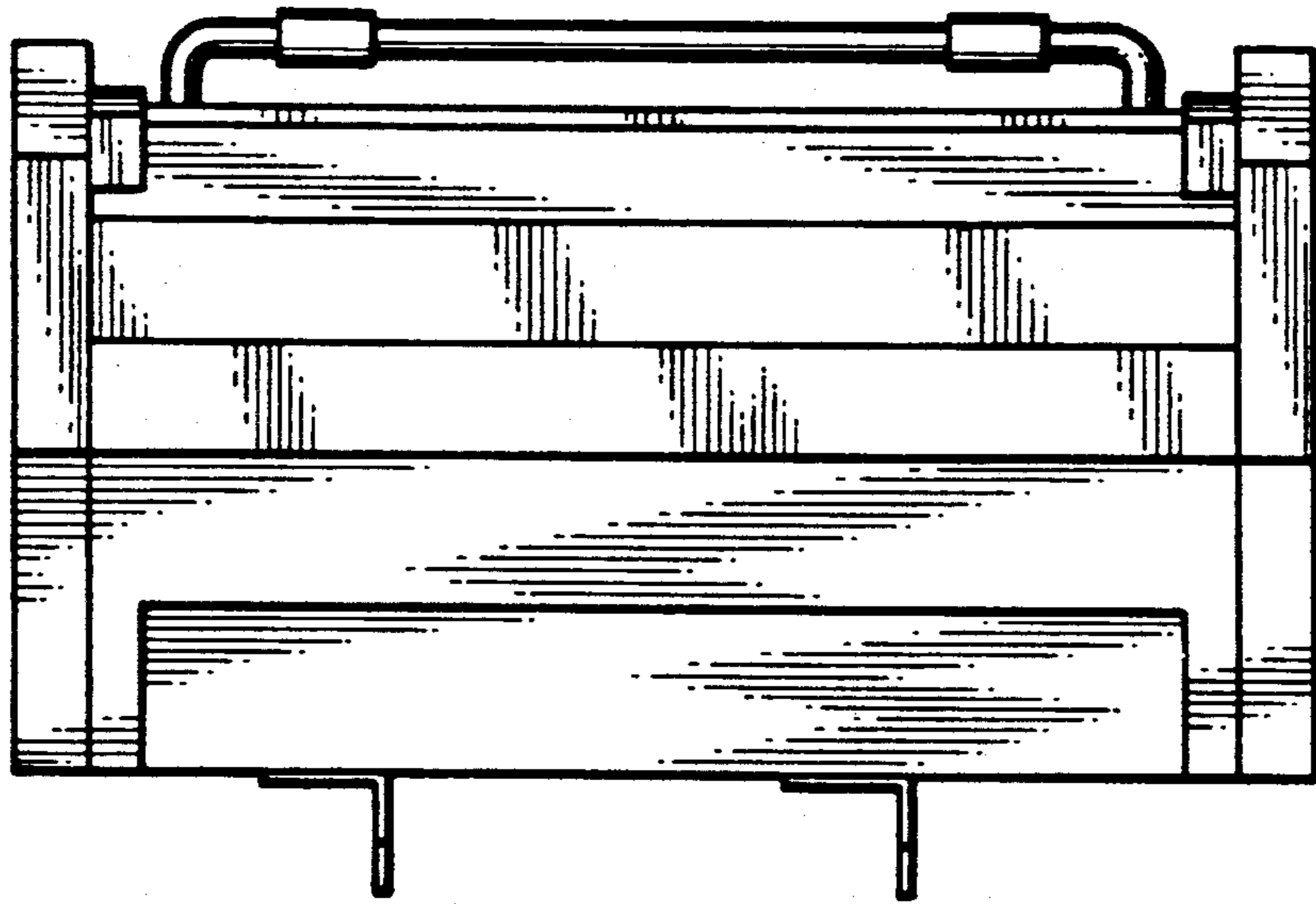


Fig. 5

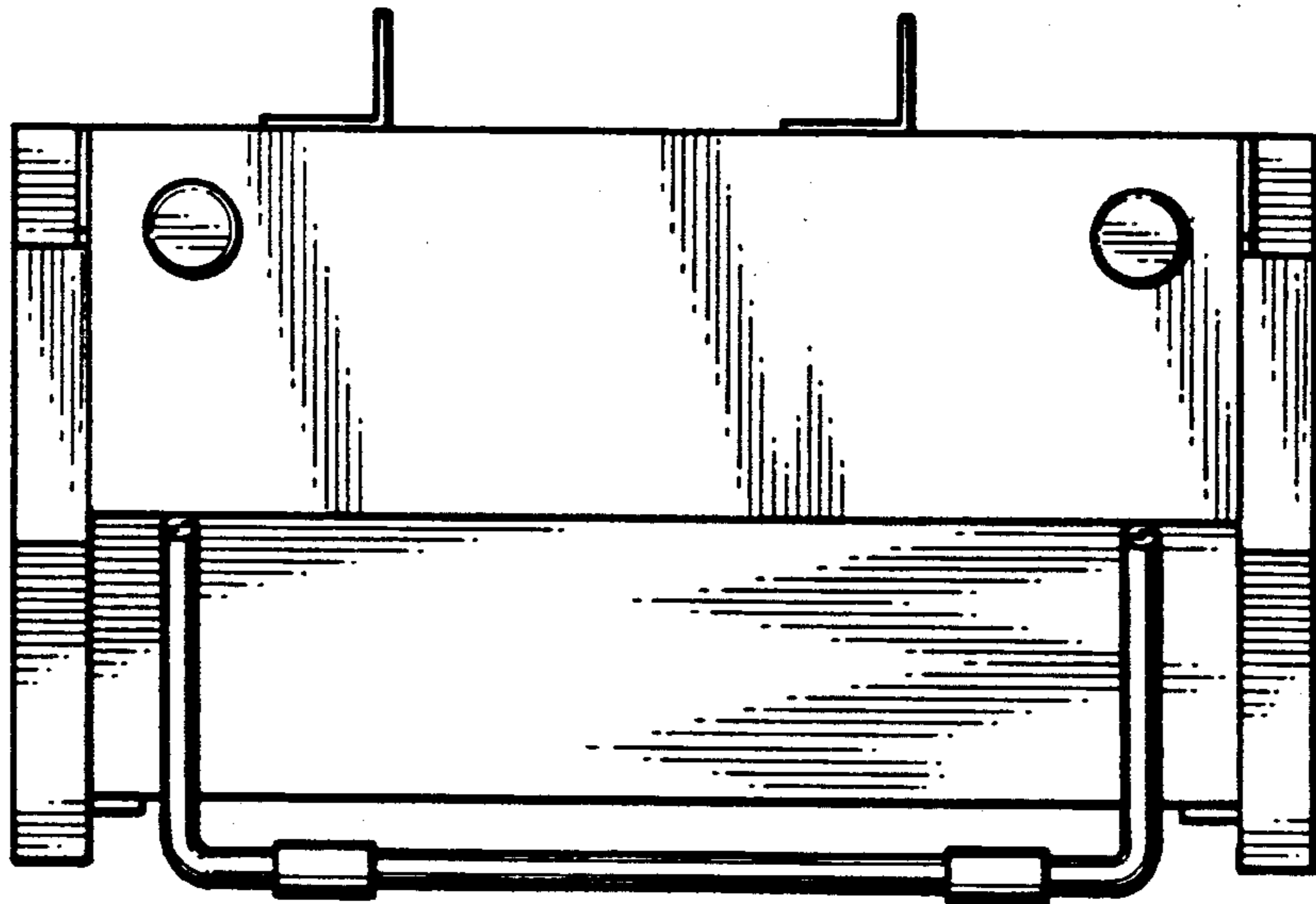


Fig. 6

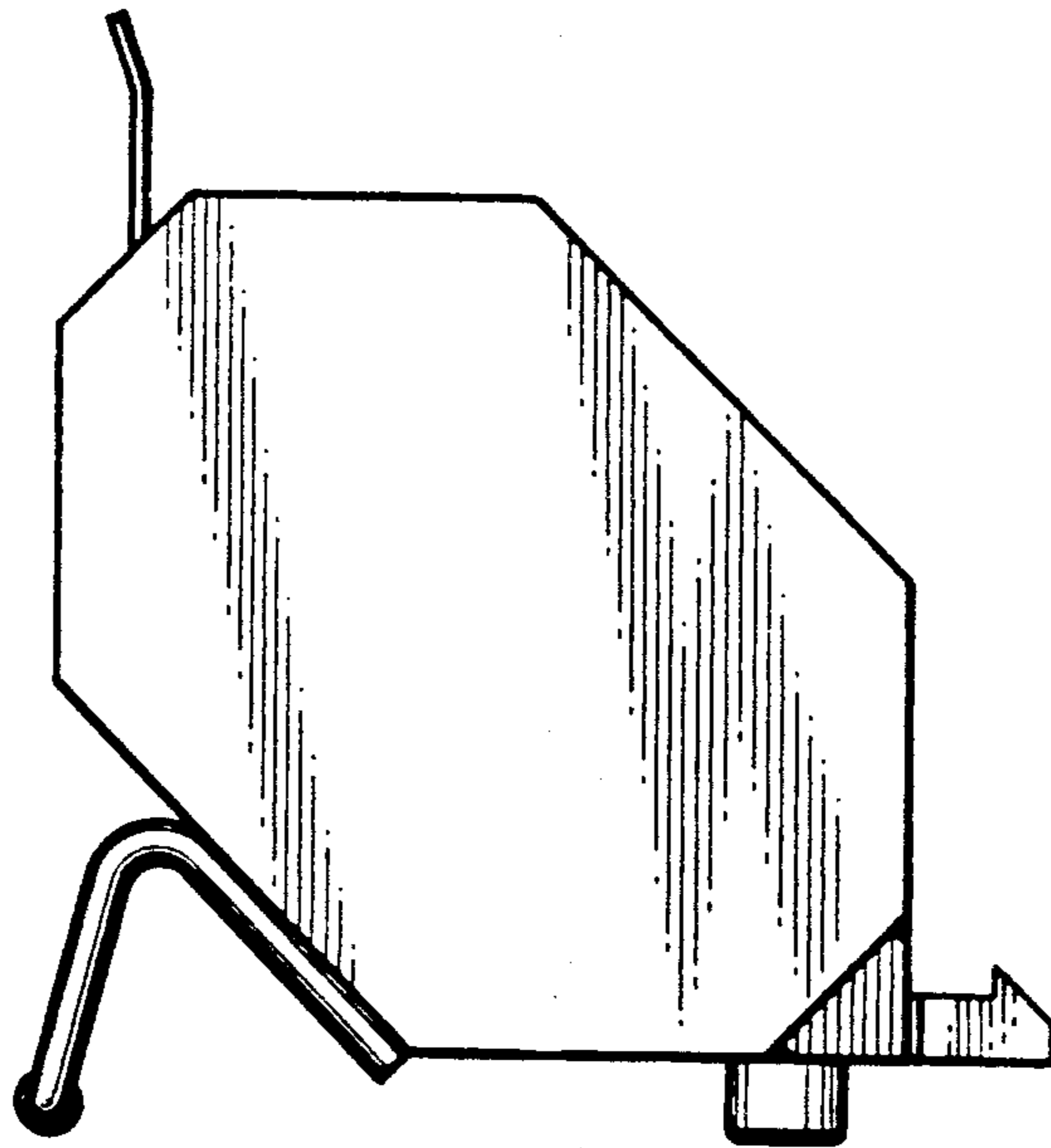


Fig. 7

