

[54] **PRINTER FOR ELECTRONIC COMPUTER**

[75] Inventors: **Noritaka Uchibori; Hitoshi Igarashi,**
both of Nagano, Japan; **Mitsuru Iseki,** Aichi, all of Japan

[73] Assignee: **Seiko Epson Corporation,** Tokyo, Japan

[**] Term: **14 Years**

[21] Appl. No.: **382,811**

[22] Filed: **Jul. 19, 1989**

[30] **Foreign Application Priority Data**

Feb. 10, 1989 [JP] Japan 5060/89

[52] U.S. Cl. **D18/54**

[58] Field of Search D18/13; D14/111;
400/613, 613.2-613.4, 691-694; 101/420

[56] **References Cited**

U.S. PATENT DOCUMENTS

- D. 272,352 1/1984 Seki et al. D14/111
- D. 278,821 5/1985 Maruyama D14/111
- D. 283,823 5/1986 Mitsuhashi D18/13
- D. 285,925 9/1986 Davis D18/13
- D. 286,052 10/1986 Peart et al. D14/111
- D. 287,727 1/1987 Kurihara D14/111

- D. 288,324 2/1987 Moggridge D14/111
- D. 295,045 4/1988 Kuroki D18/13
- D. 296,211 6/1988 Nagatomo D14/111
- D. 312,475 11/1990 Yoshida D18/13
- 4,674,899 6/1987 Kimura 400/613

OTHER PUBLICATIONS

NEC Spinwriter e.l.f.; 2/85; pp. 1 and 2.

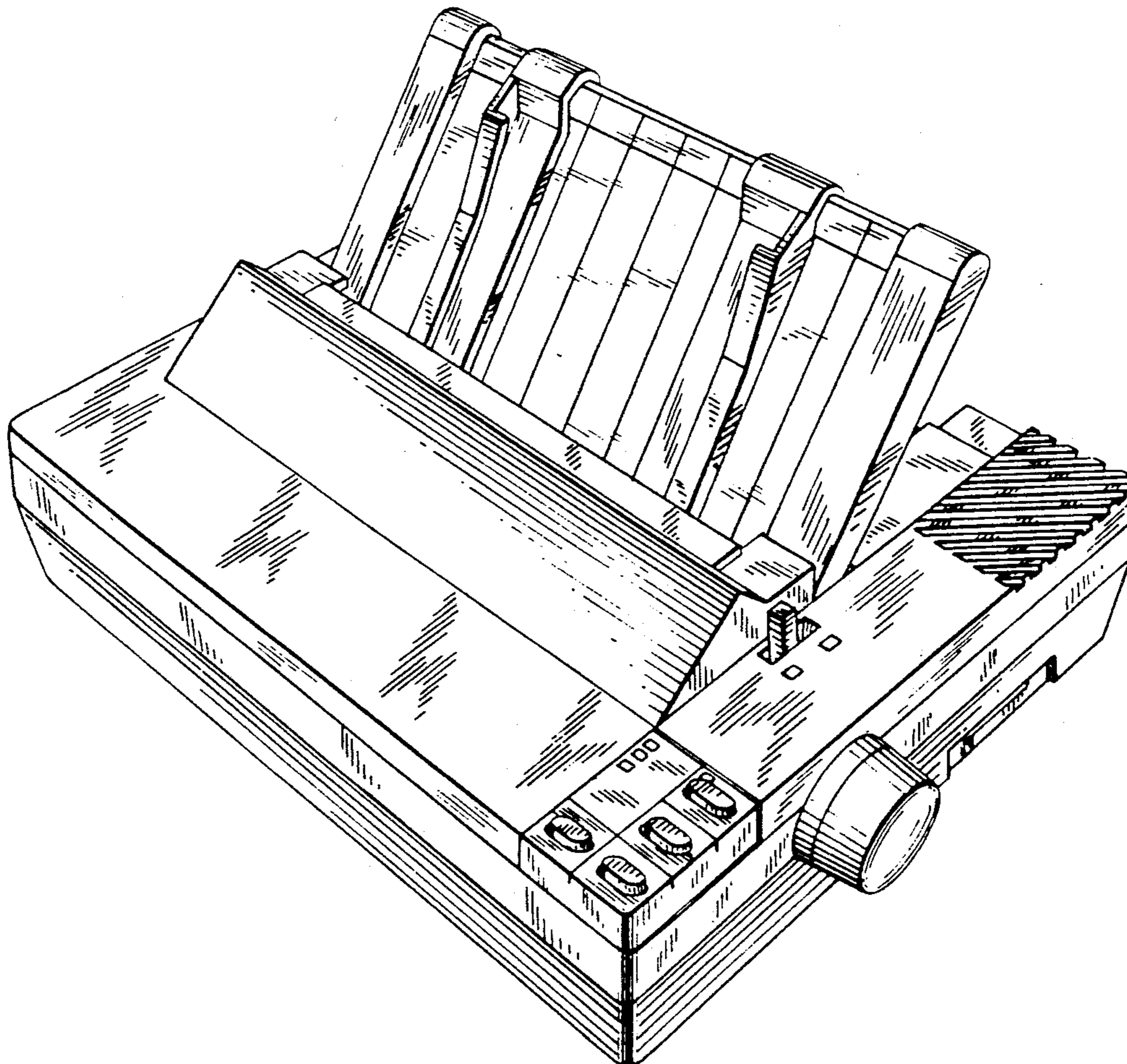
Primary Examiner—A. Hugo Word
Assistant Examiner—Cathy Anne MacCormac
Attorney, Agent, or Firm—Blum Kaplan

[57] **CLAIM**

The ornamental design for a printer for electronic computer, as shown and described.

DESCRIPTION

FIG. 1 is a front perspective view of a printer for electronic computer showing our new design with the paper tray in raised position;
 FIG. 2 is a top plan view thereof with the paper tray in lowered position;
 FIG. 3 is a front elevational view thereof;
 FIG. 4 is a right side elevational view thereof;
 FIG. 5 is a rear elevational view thereof;
 FIG. 6 is a left side elevational view thereof; and
 FIG. 7 is a bottom plan view thereof.



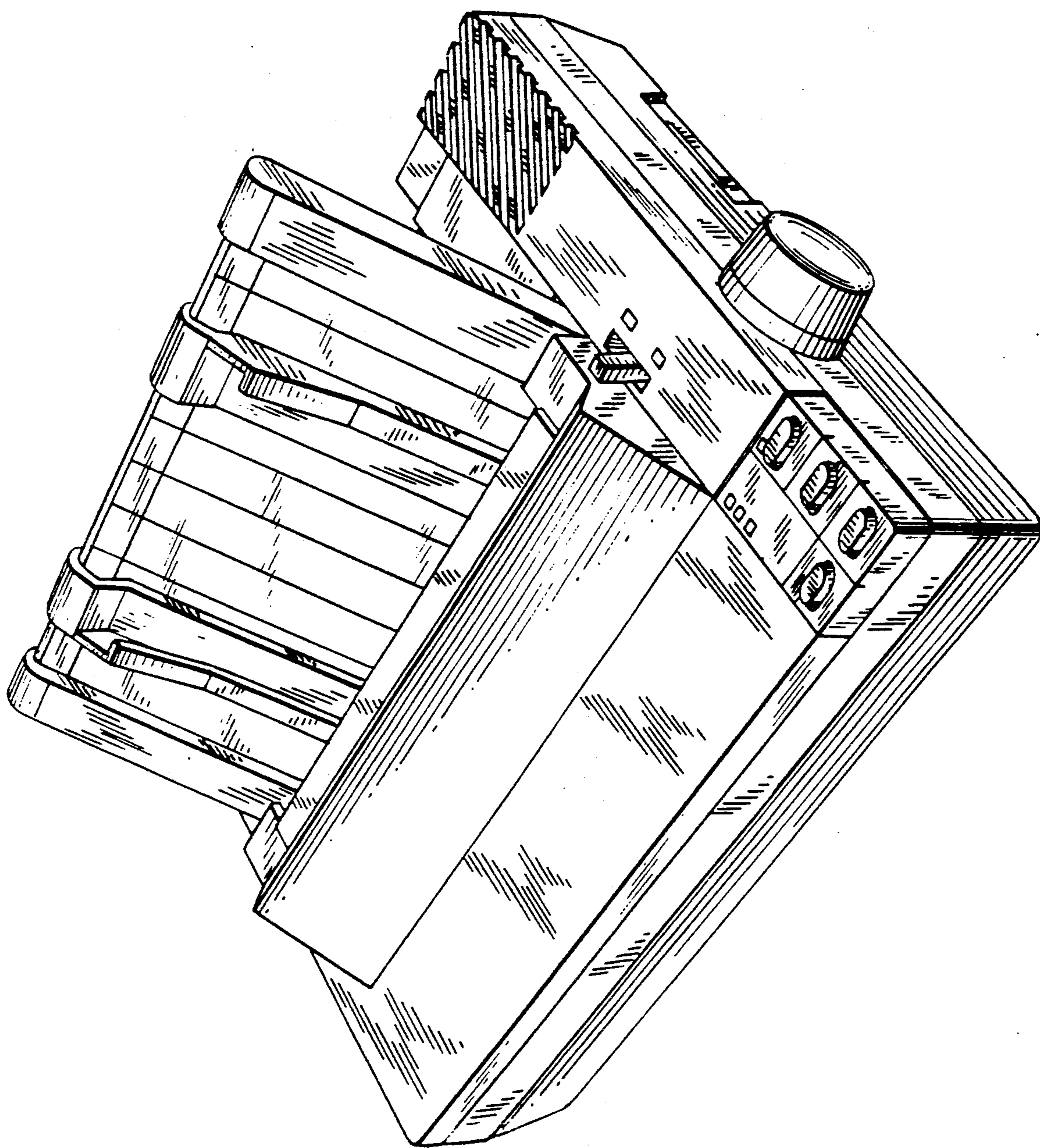


FIG. 1

FIG. 2

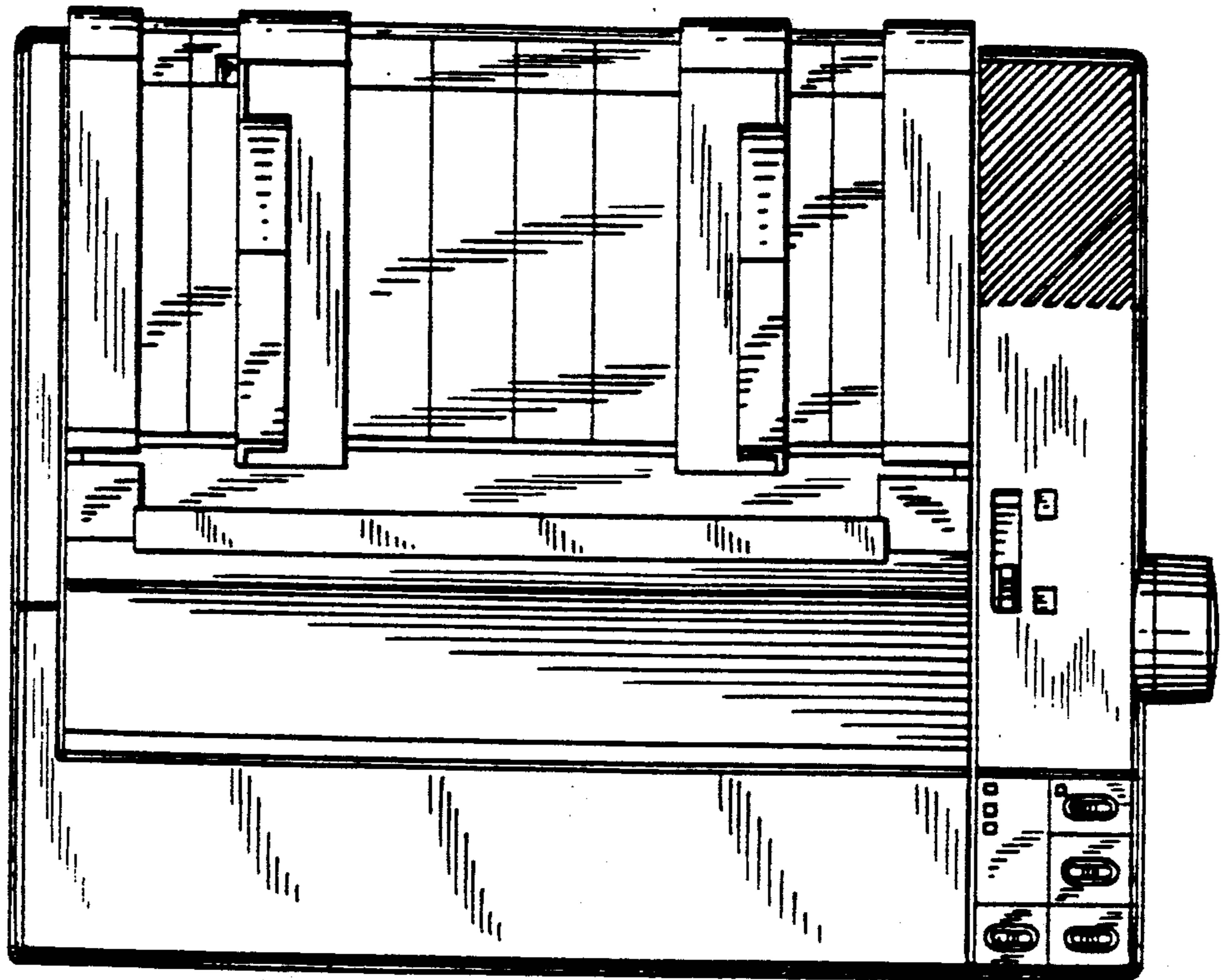


FIG. 3

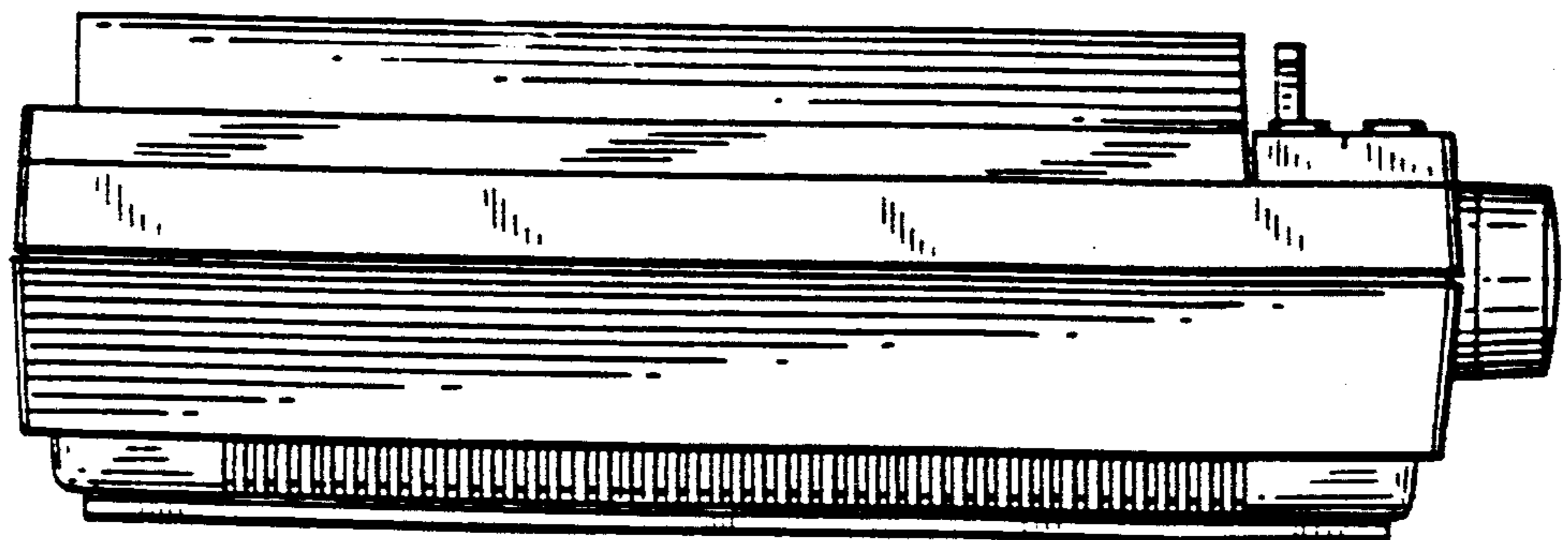


FIG. 4

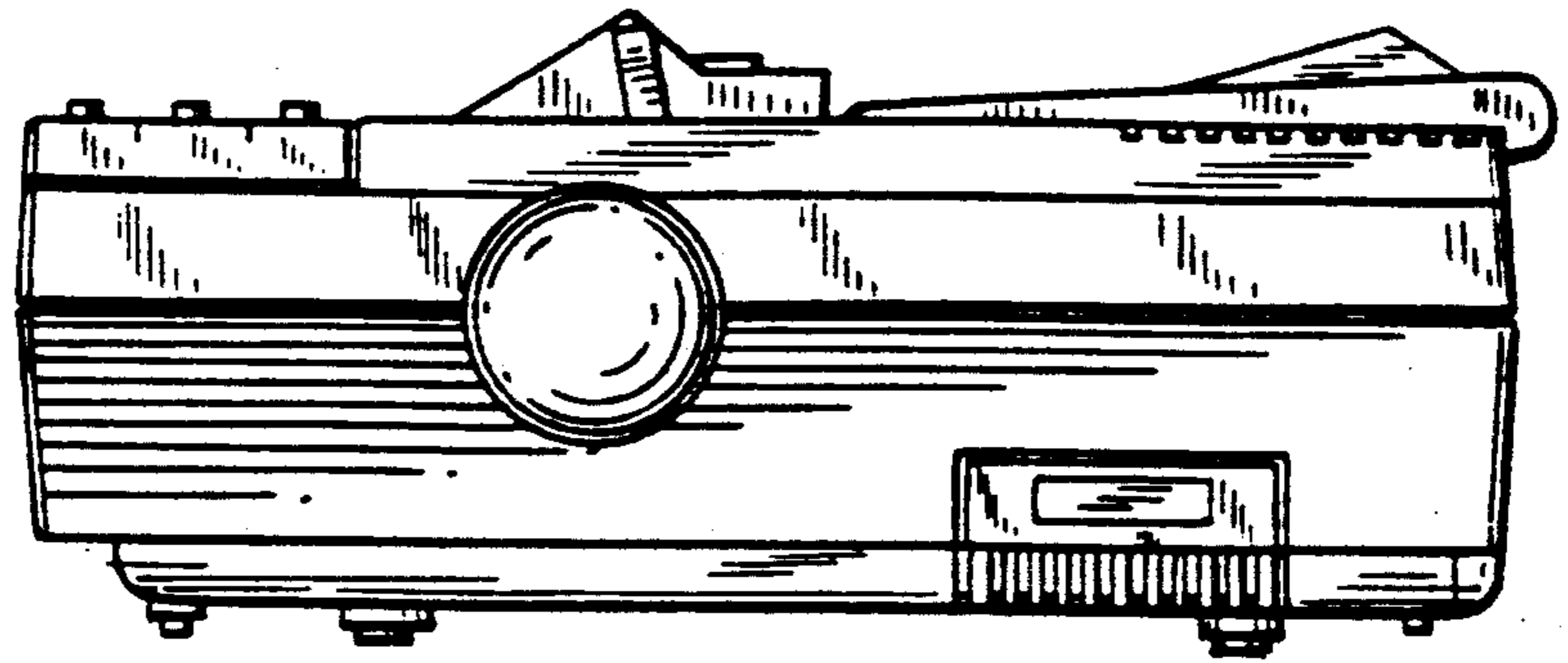


FIG. 5

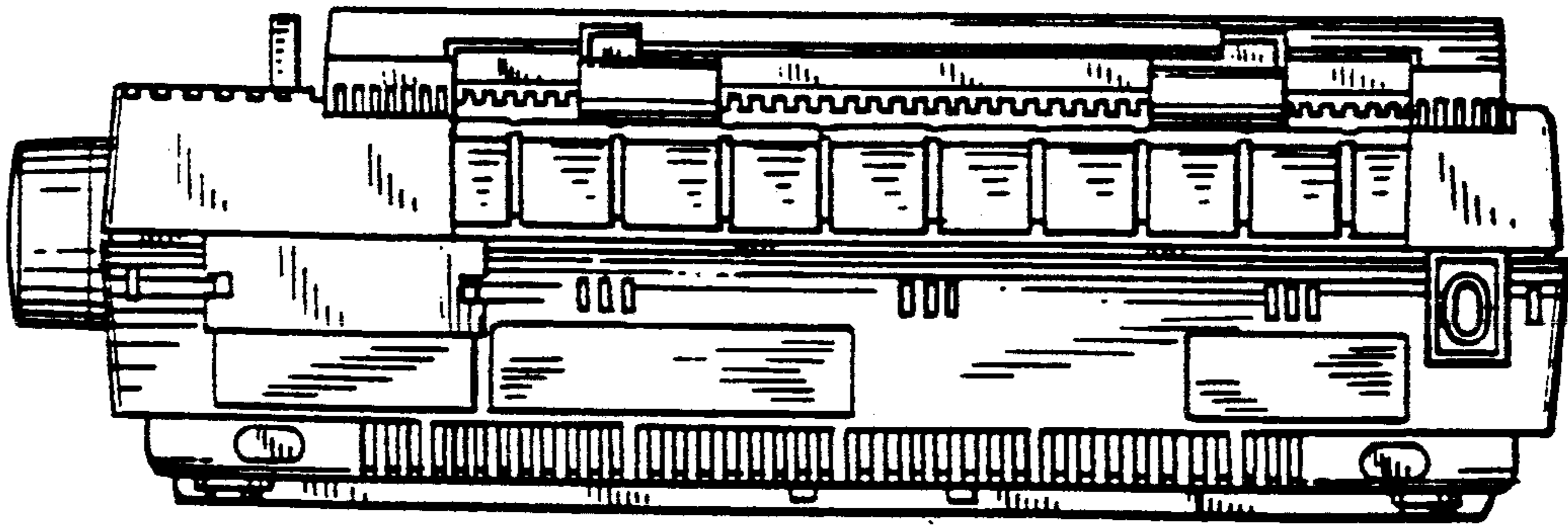


FIG. 6

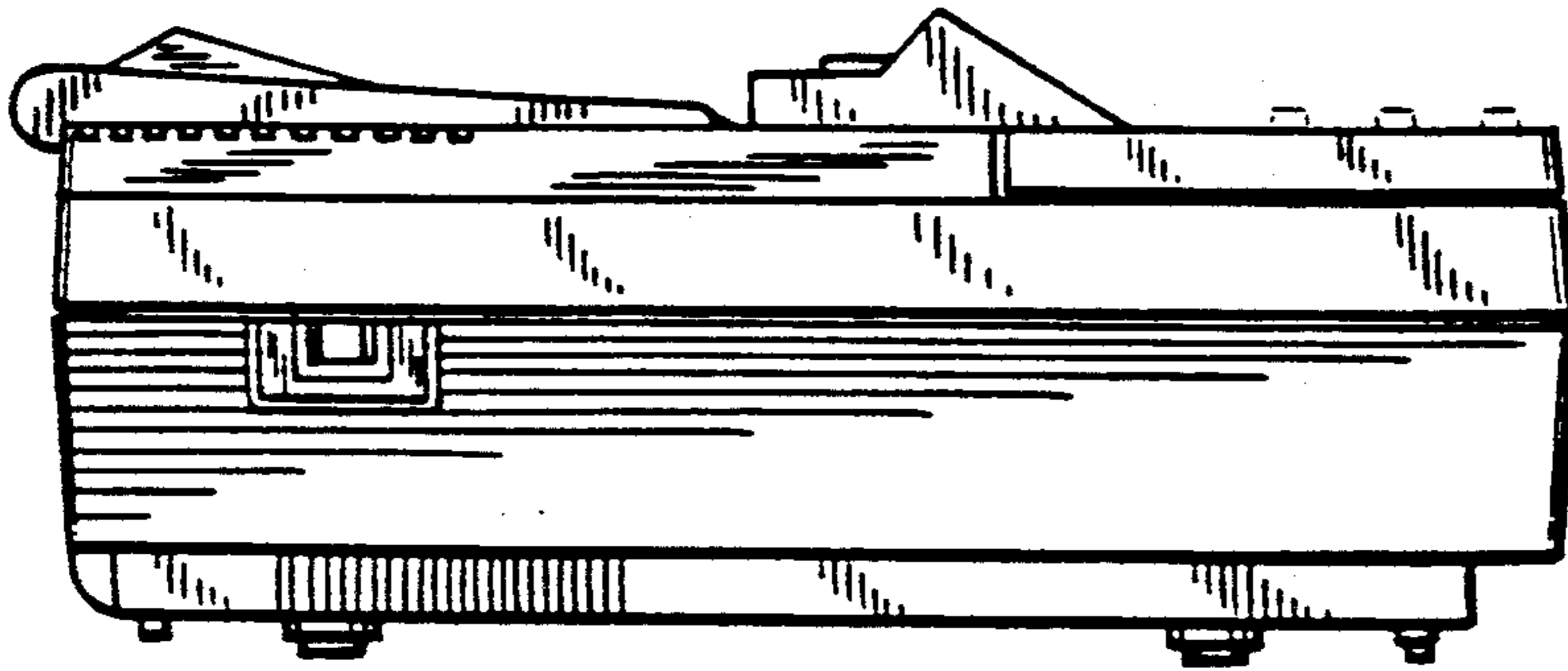


FIG. 7

