

[54] **PRINTER**

[75] Inventors: **Toru Irie; Yoshinori Kakiuchi**, both of Kawasaki; **Akira Tsukamoto**, Tokyo, all of Japan

[73] Assignee: **Fujitsu Limited**, Kawasaki, Japan

[**] Term: **14 Years**

[21] Appl. No.: **338,126**

[22] Filed: **Apr. 14, 1989**

[30] **Foreign Application Priority Data**

Oct. 14, 1988 [JP]	Japan	63-40425
[52] U.S. Cl.		D18/54
[58] Field of Search	400/613, 613.2-613.4, 400/691-694; 101/420; D18/13; D14/111	

[56] **References Cited**

U.S. PATENT DOCUMENTS

D. 280,412	9/1985	Sakamoto	D14/111
D. 294,704	3/1988	Kuroki	D18/13

OTHER PUBLICATIONS

Personal Computing; May 1984; p. 202; Qume Letter-Pro 20 Printer advertisement.

NEC Pinwriter P5200/P5300 User's Guide drawing on cover; Nov. '88.

Primary Examiner—A. Hugo Word
Assistant Examiner—Cathy Anne MacCormac
Attorney, Agent, or Firm—Staas & Halsey

[57] **CLAIM**

The ornamental design for a printer, as shown and described.

DESCRIPTION

FIG. 1 is a perspective of a printer showing our new design;
FIG. 2 is a front elevational view thereof;
FIG. 3 is a rear elevational view of thereof;
FIG. 4 is a right side elevational view thereof;
FIG. 5 is a left side elevational view thereof;
FIG. 6 is a top plan view thereof; and
FIG. 7 is a bottom plan view thereof.

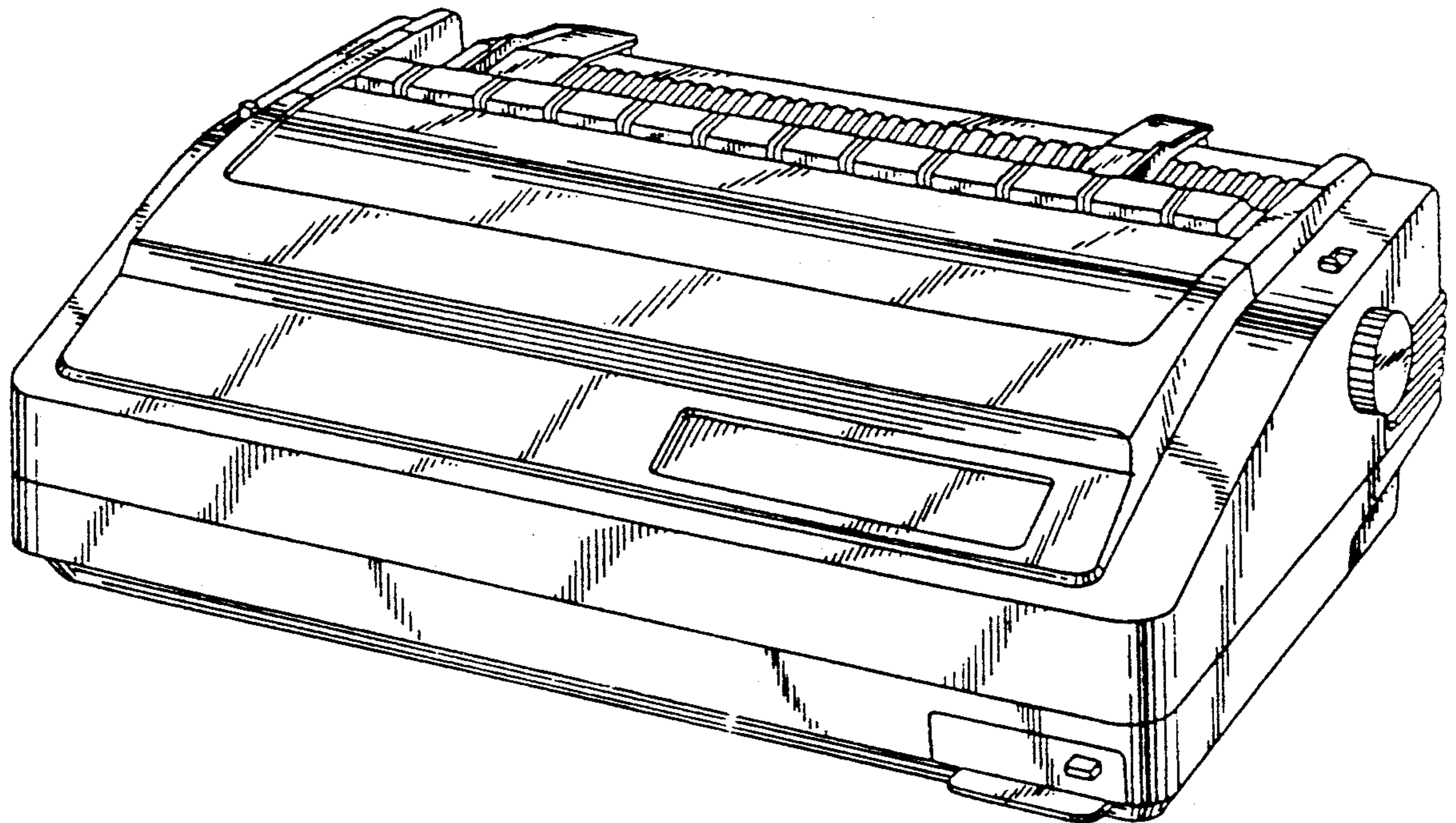


FIG. 1

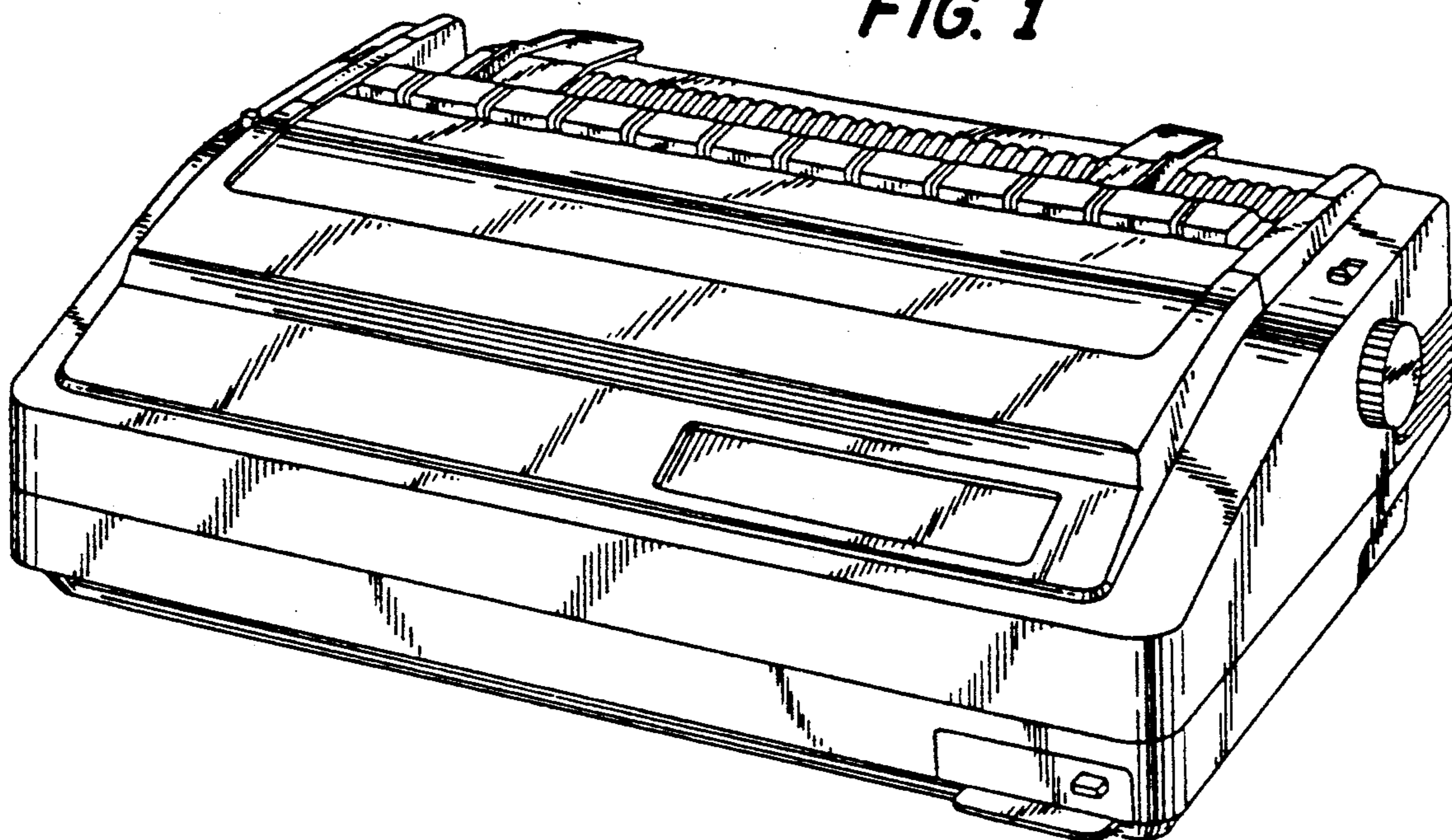


FIG. 2

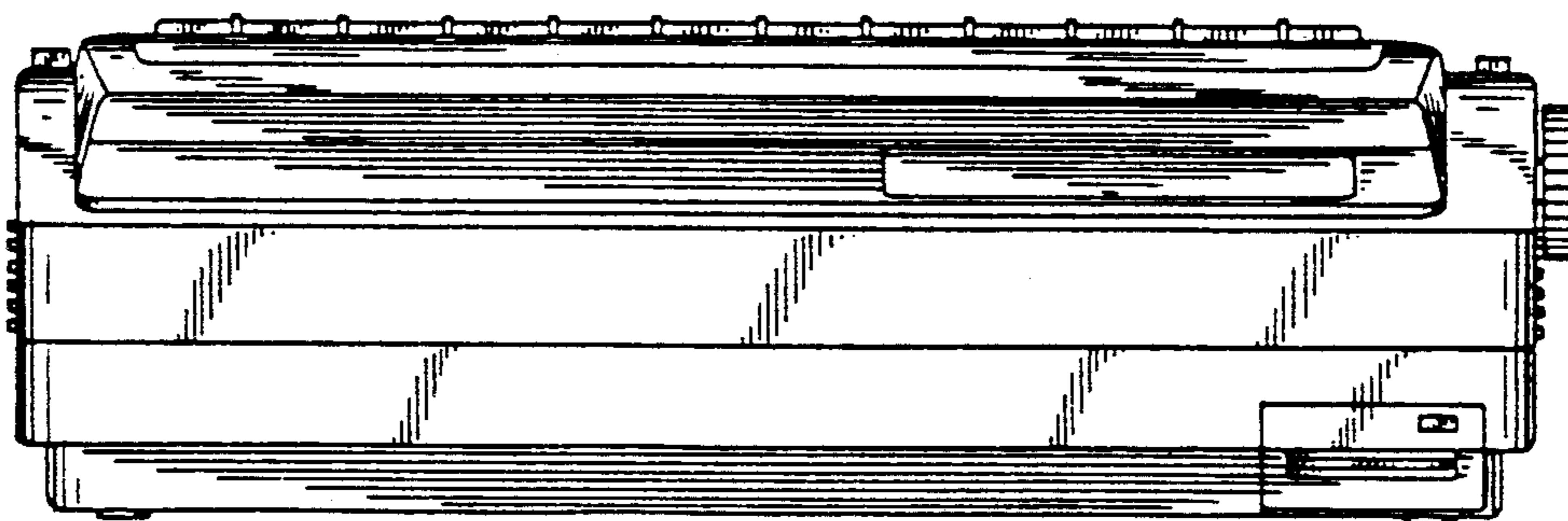


FIG. 3

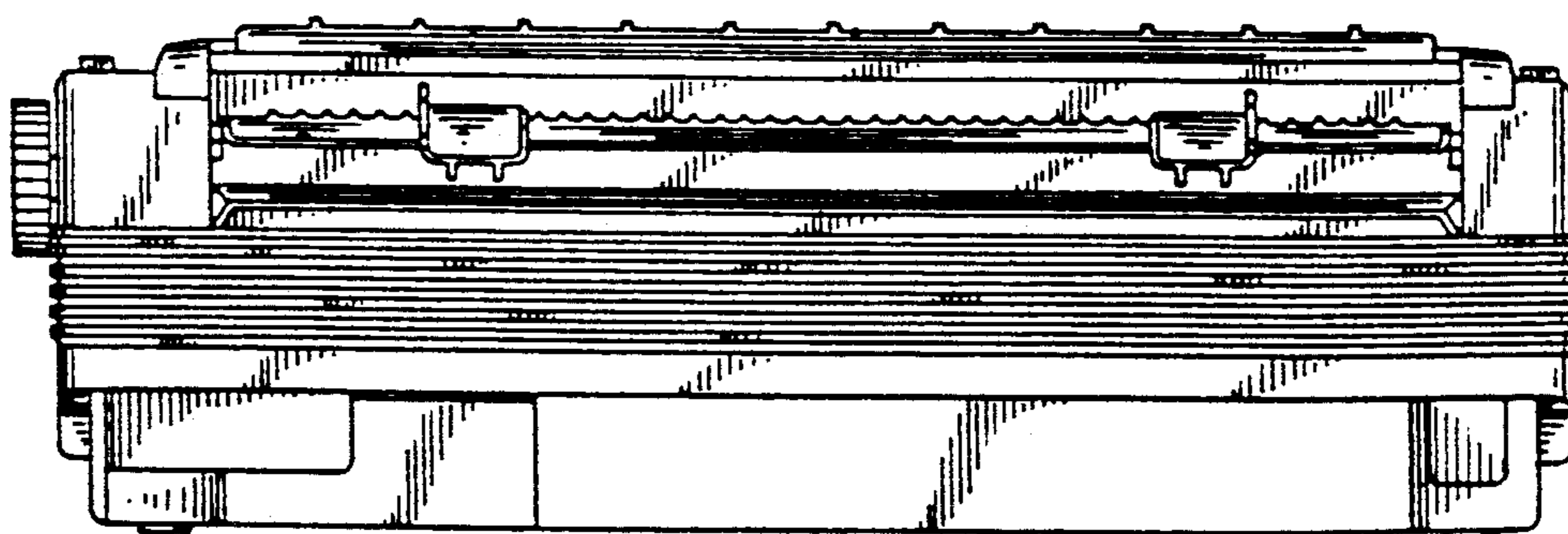


FIG. 4

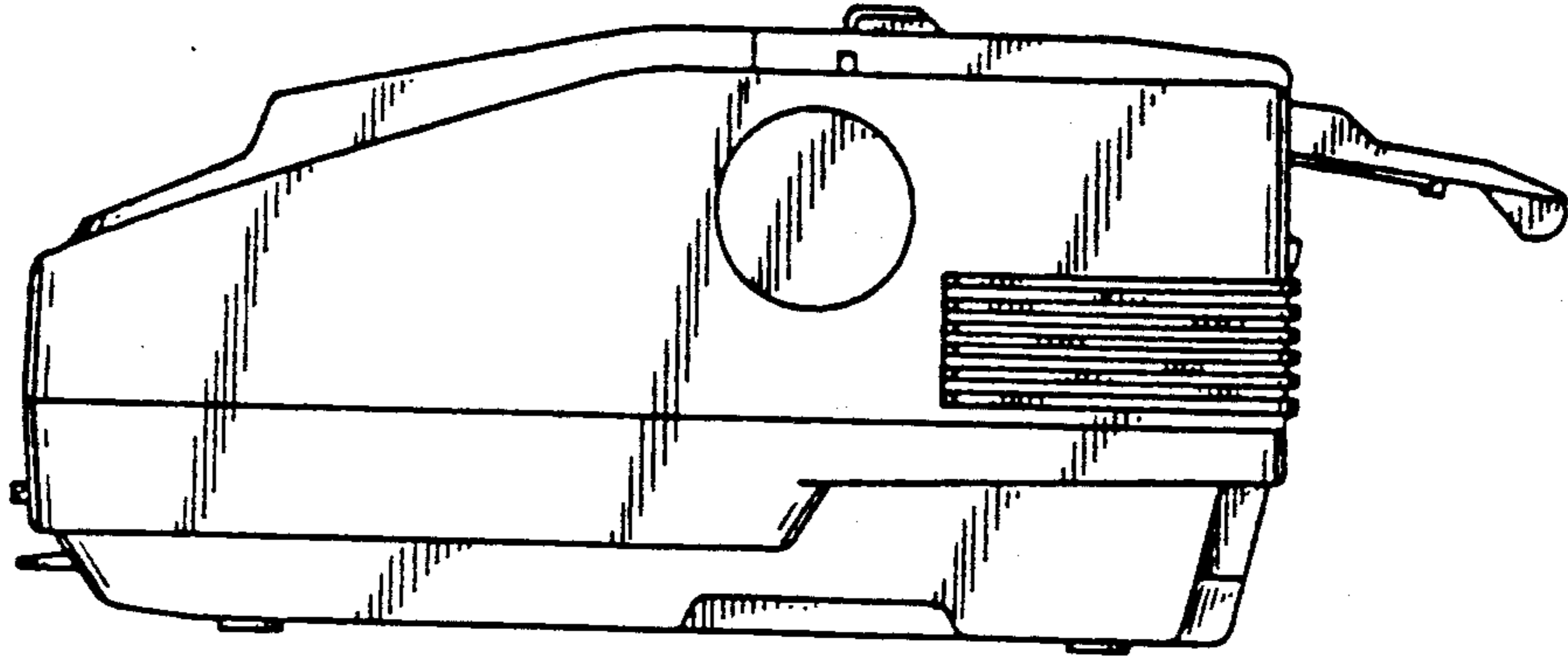


FIG. 5

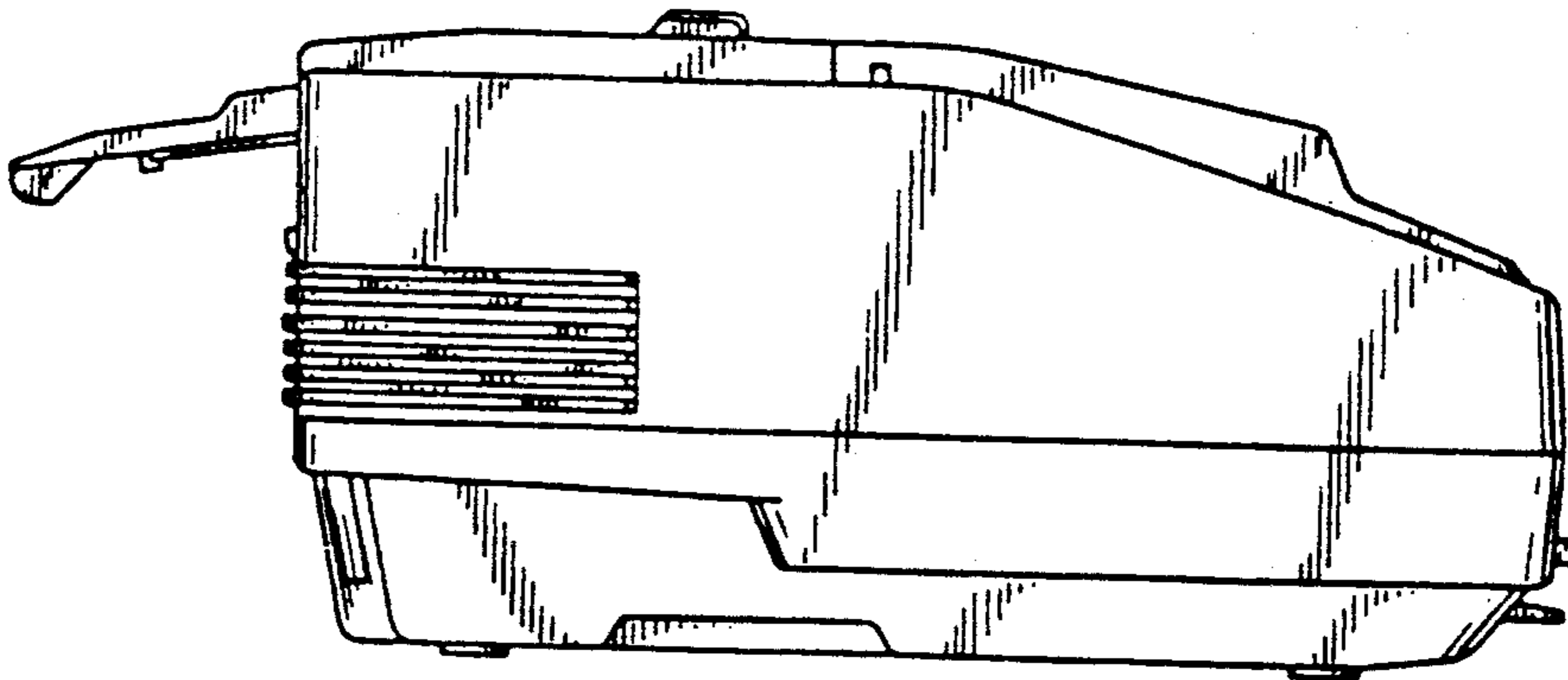


FIG. 6

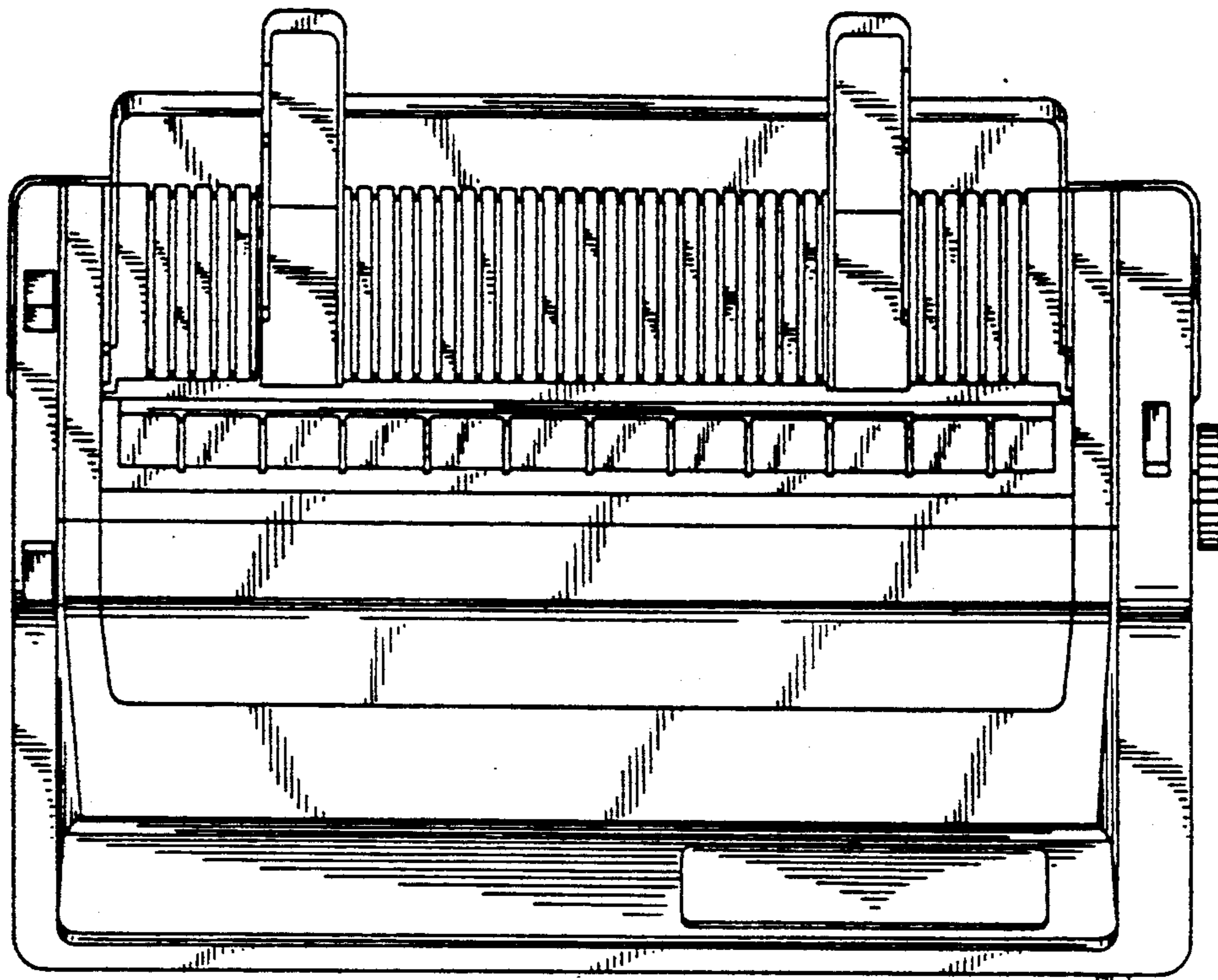


FIG. 7

